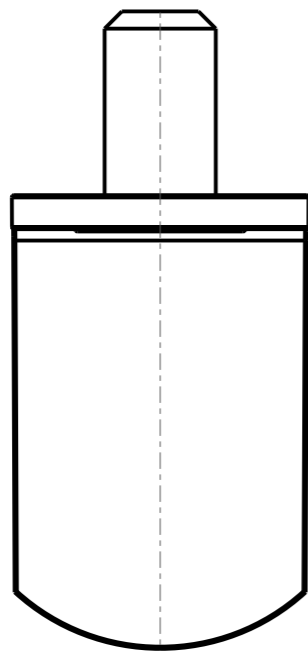
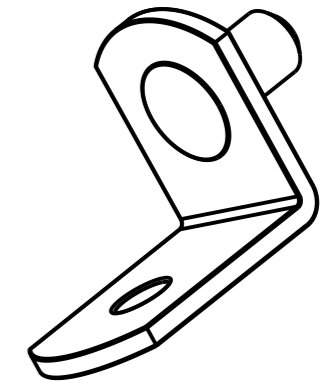
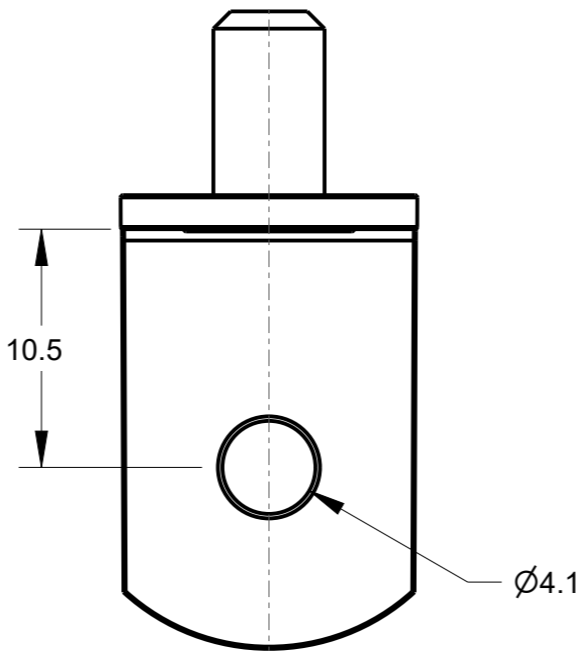


ITEM #	FINISH	STYLE
1706AB	ANTIQUE BRASS	STANDARD
1706BN	BRIGHT NICKEL	STANDARD
1706PB	POLISHED BRASS	STANDARD
1707AB	ANTIQUE BRASS	HOLE
1707AC	ANTIQUE COPPER	HOLE
1707BLK	BLACK	HOLE
1707BN	BRIGHT NICKEL	HOLE
1707PB	POLISHED BRASS	HOLE
1710AC	ANTIQUE COPPER	DIAMOND
1710BN	BRIGHT NICKEL	DIAMOND

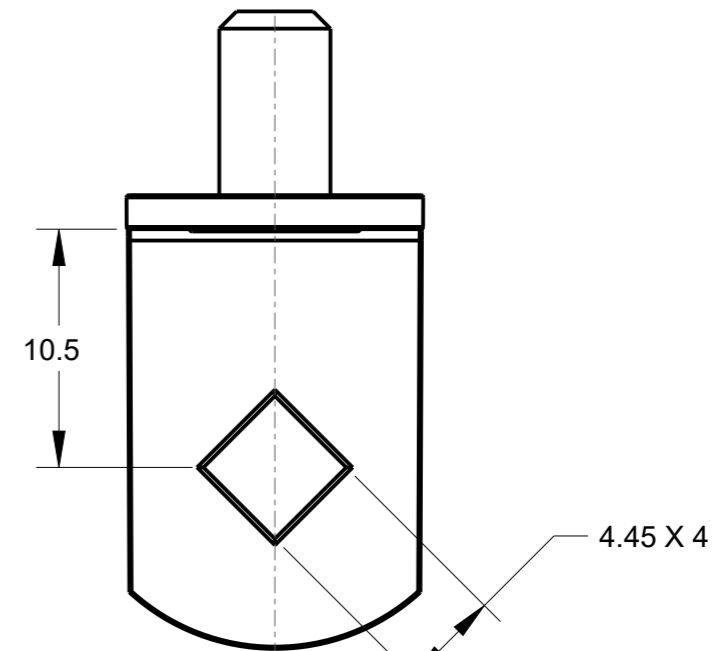


1706  
STANDARD



1707  
HOLE

Ø4.1



1710  
DIAMOND

4.45 X 4



HARDWARE RESOURCES RESERVES THE RIGHT TO CHANGE SPECIFICATIONS WITHOUT NOTICE. IN CASE OF A DISCREPANCY, ACTUAL PART GEOMETRY SUPERSEDES THIS DOCUMENT.

THE INFORMATION CONTAINED WITHIN THIS DRAWING IS THE SOLE PROPERTY OF HARDWARE RESOURCES INC. ANY REPRODUCTION IN PART OR WHOLE WITHOUT WRITTEN PERMISSION OF HARDWARE RESOURCES INC. IS PROHIBITED.

DOCUMENT STATUS Released

UNLESS OTHERWISE SPECIFIED DIMENSIONS ARE IN MILLIMETERS (MM)

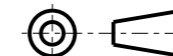
MATERIAL

STEEL

FINISH

SEE TABLE

THIRD ANGLE PROJECTION



DATE

30MAR2022

DESCRIPTION

ANGLED SHELF PIN, 5mm

DRAWING NUMBER

1706-1707-1710

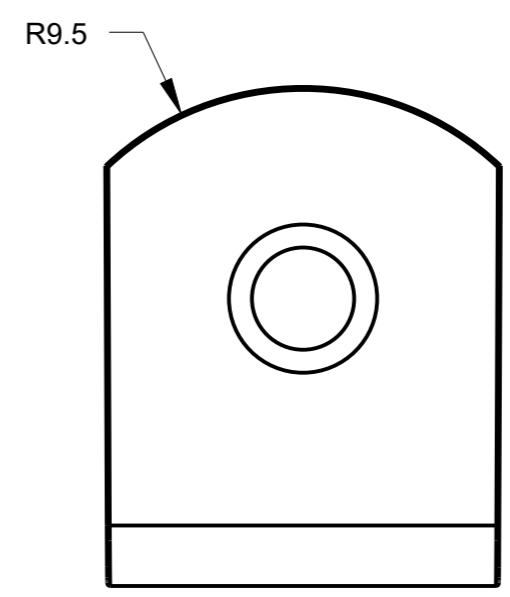
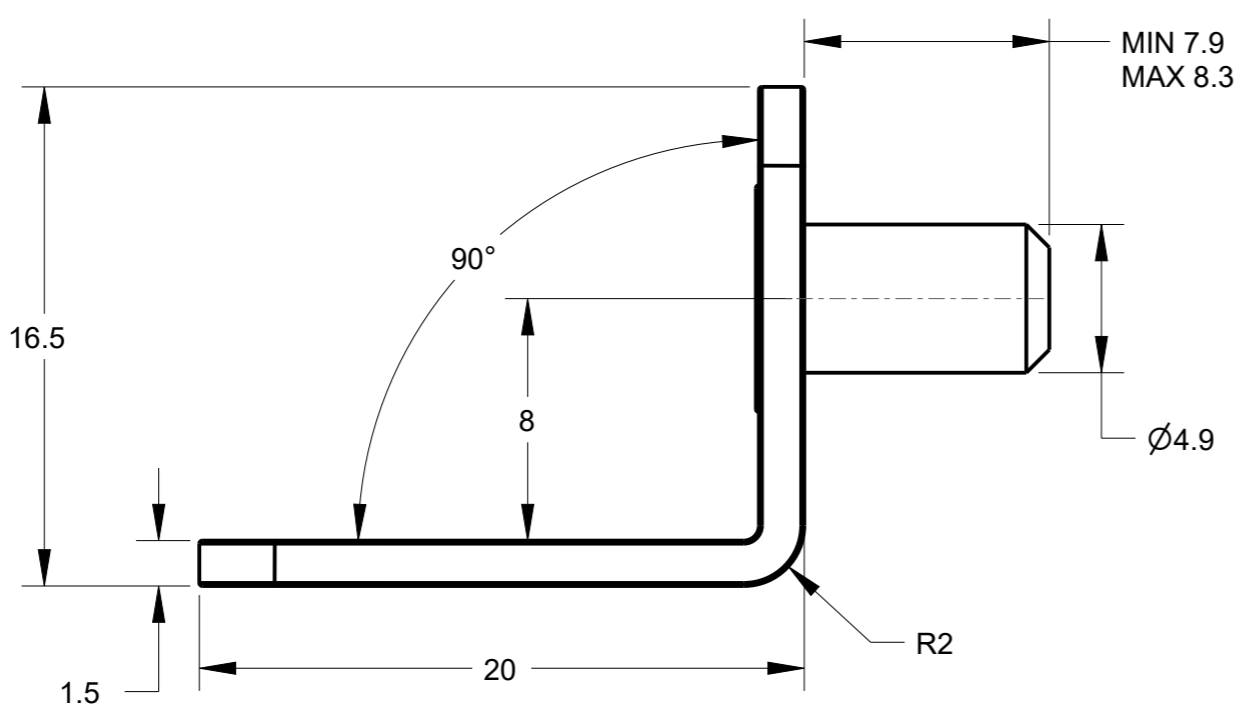
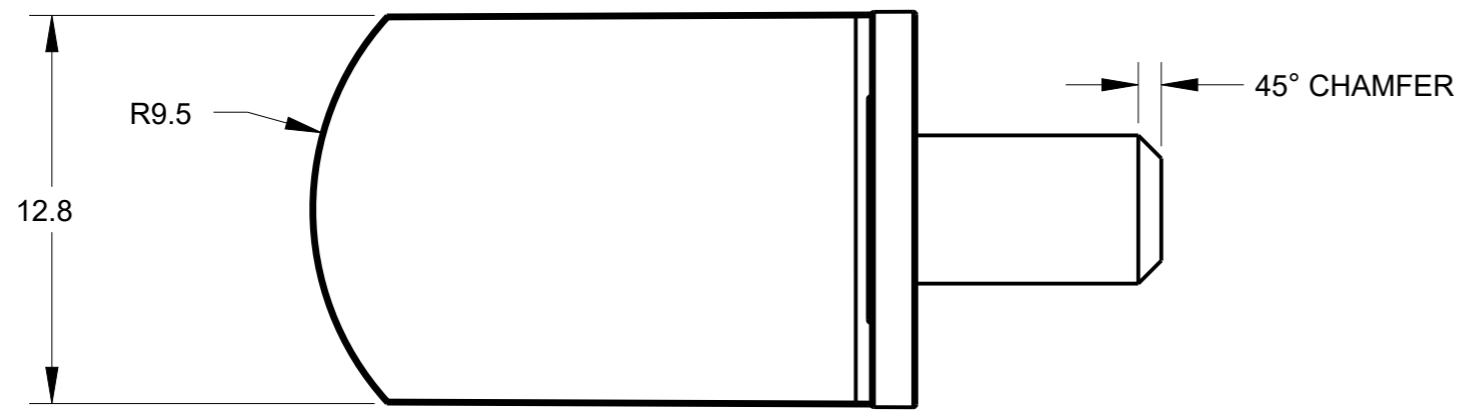
REV

B

SIZE  
A3

SCALE  
3.000

SHEET  
1 / 2



DRAWING NUMBER 1706-1707-1710		REV <b>B</b>
SIZE A3	SCALE 4.000	SHEET 2 / 2
DOCUMENT STATUS		Released