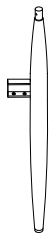


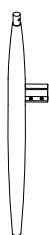
ASSEMBLY INSTRUCTION

ARM DINING CHAIR

A Left Leg **B** Right Leg **C** Back Leg **D** Arm & Back Rest



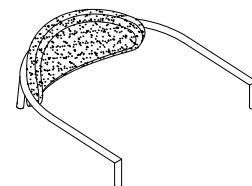
1pc



1pc

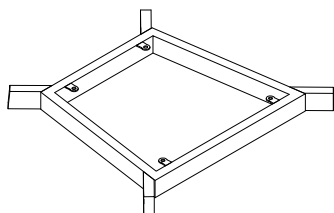


2pcs



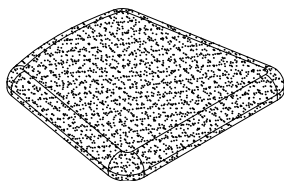
1pc

E Seat Frame



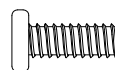
1pc

F Seat Cushion



1pc

G Bolt
1/4" x 1/2"



8pcs

H Bolt
5/32" x 3/8"



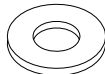
4pcs

I Screw
M4 x 15mm



4pcs

J Flat Washer
ø16mm



8pcs

K Flat Washer
ø12mm

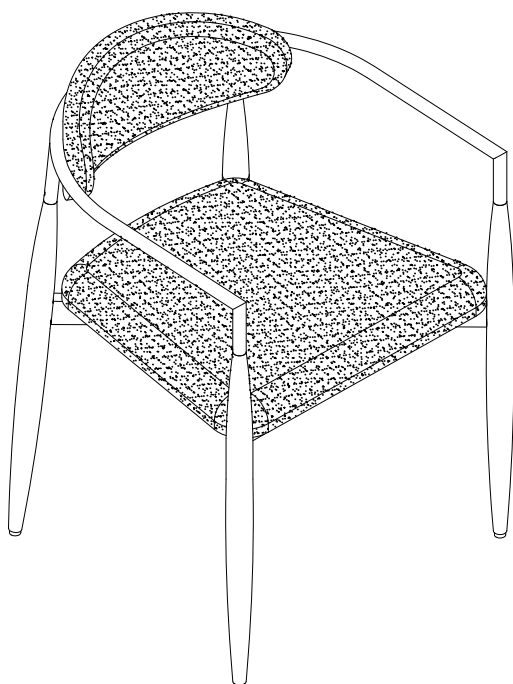


4pcs

L Allen Key
4 x 4mm



1pc



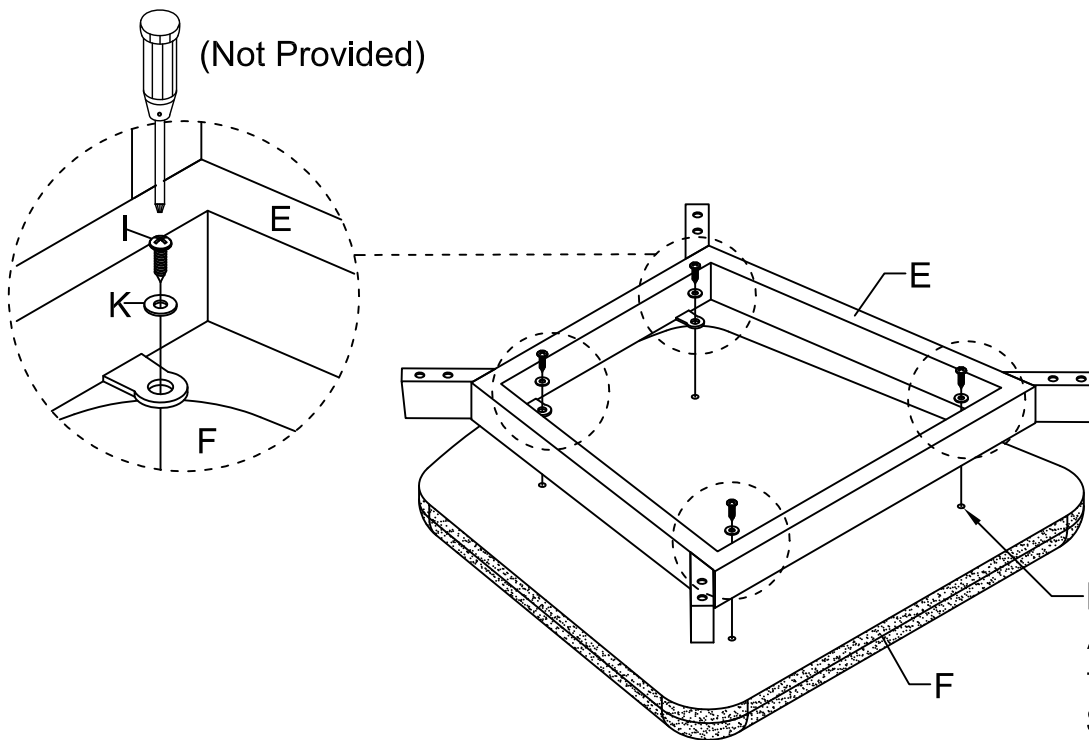
This page lists all the contents included in the box. Please take the time to identify the hardware as well as the individual components to this product. As you unpack and prepare for assembly, place the contents on a carpeted or padded area to protect them from damage.

Note:

Do not fully tighten all bolts & screws until the entire unit is completely assembled.

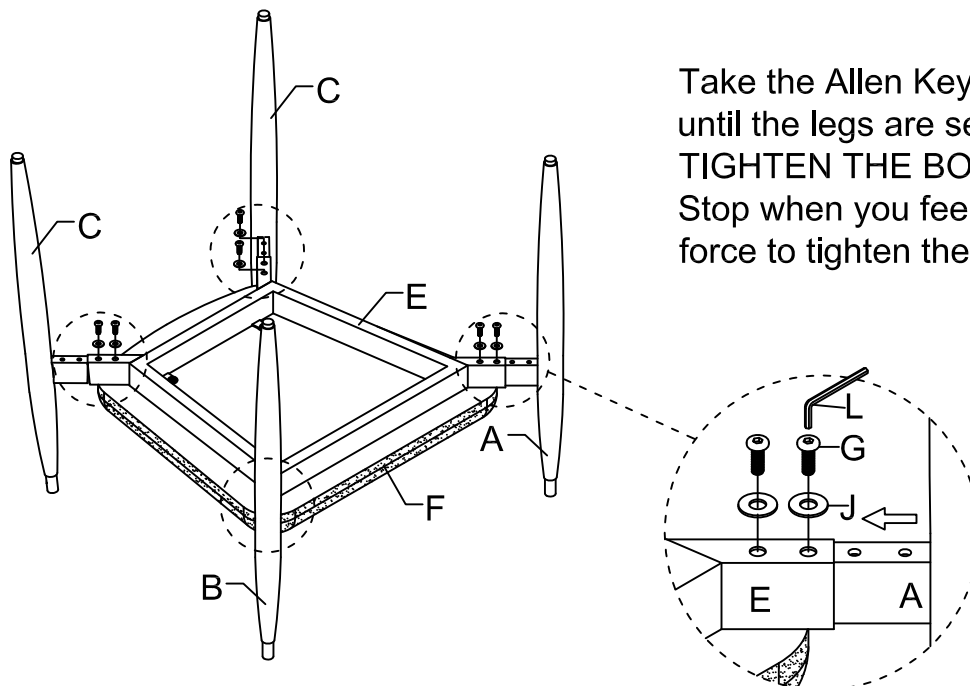
1

Attach Seat Frame (E) to Seat Cushion (F) using Screw (I) and Flat Washer (K) with Screwdriver (Not Provided).



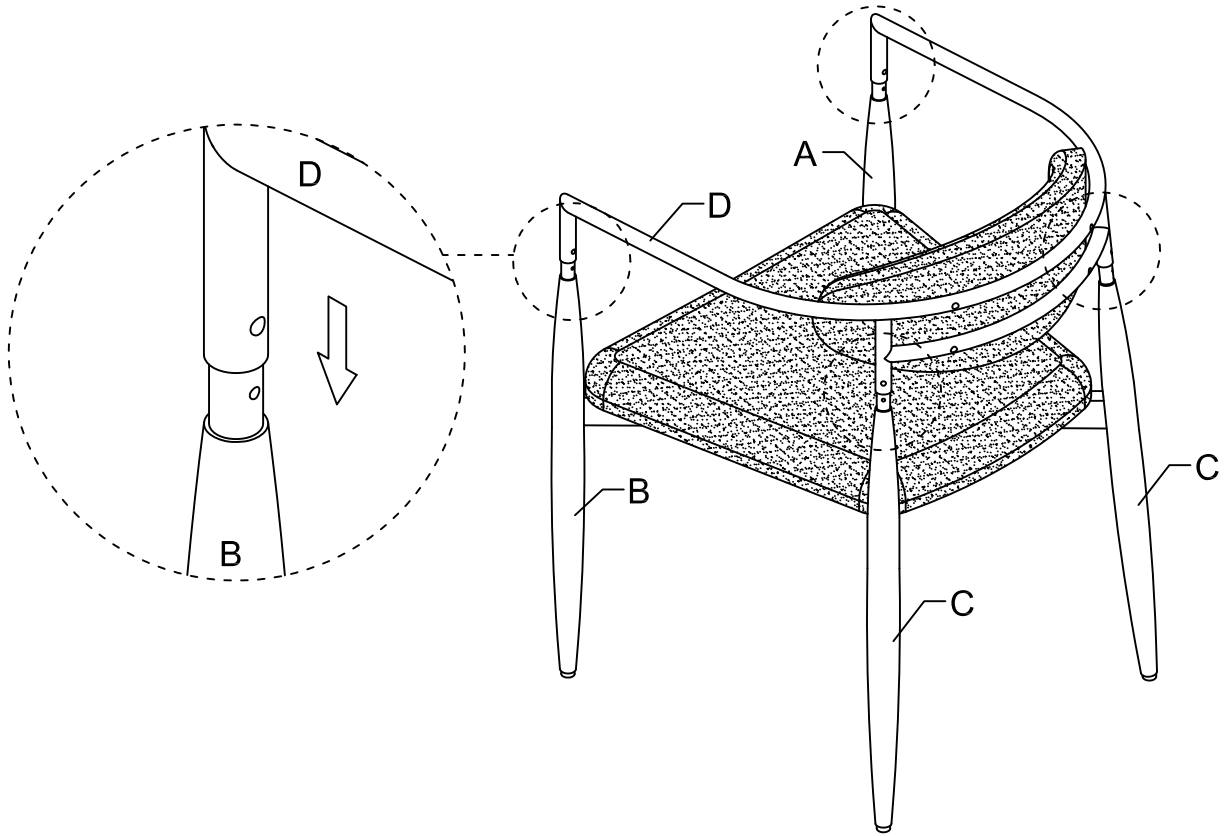
2

Attach Left Leg (A), Right Leg (B) and Back Leg (C) to Seat Frame (E) using Bolt (G) and Flat Washer (J) with Allen Key (L).



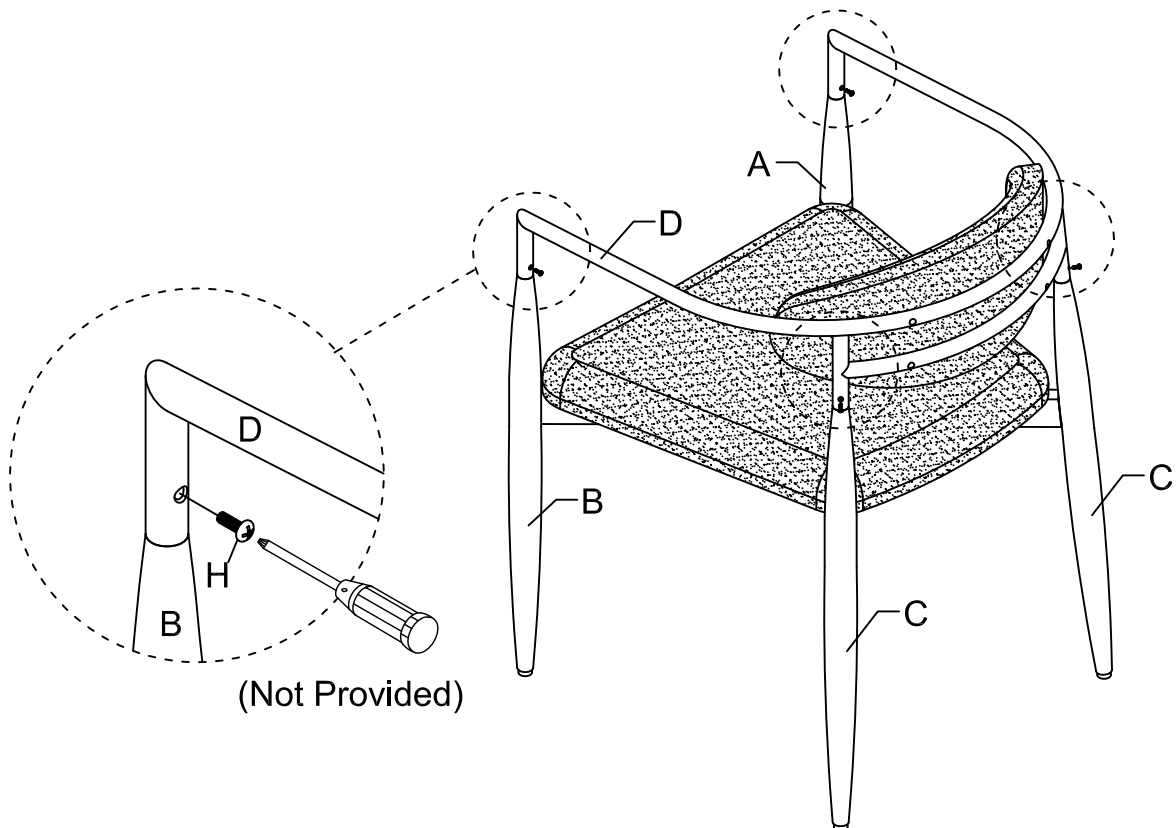
3

Stand the chair base up and attach Arm & Back Rest (D) to Left Leg (A), Right Leg (B) and Back Leg (C).



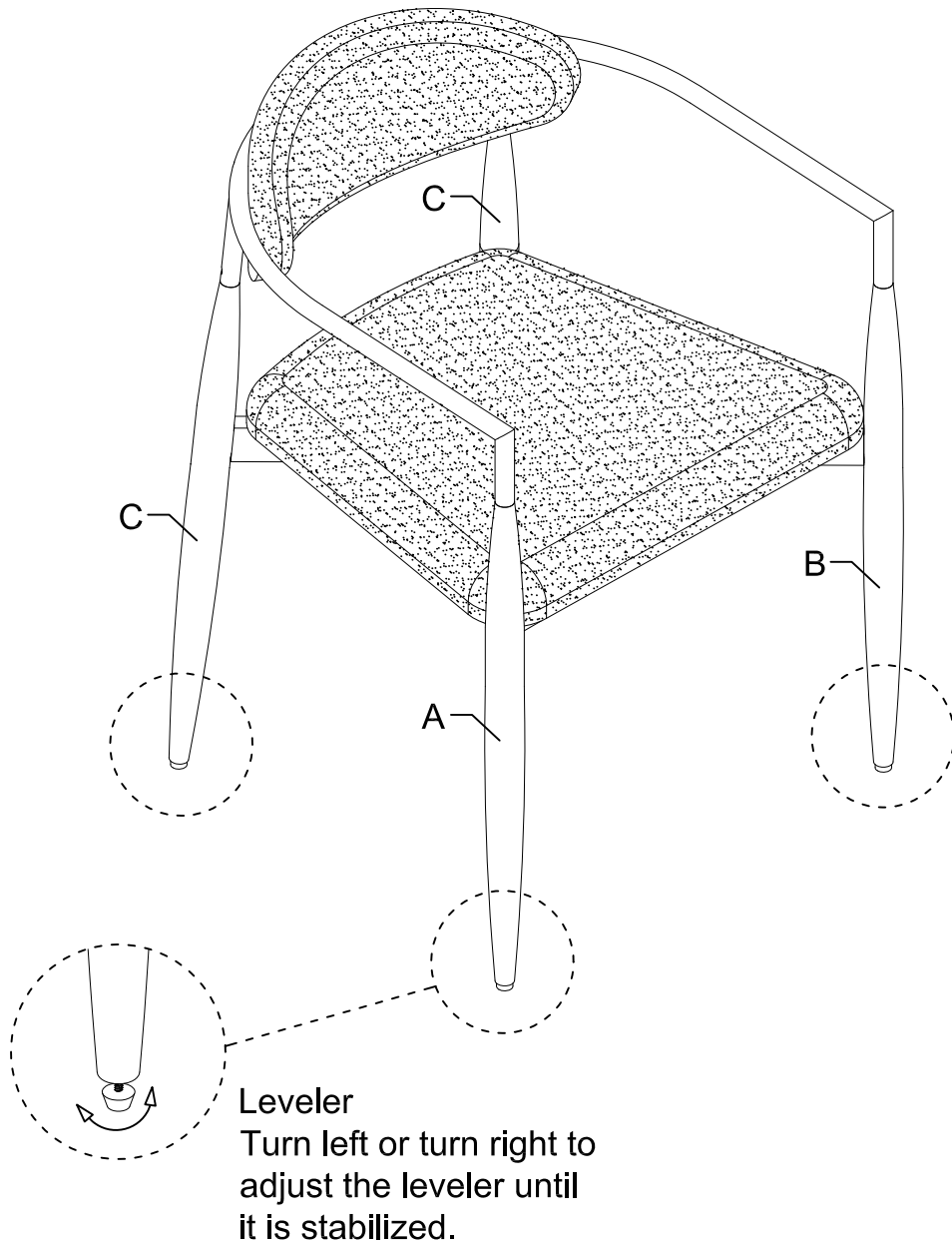
4

Tighten Arm & Back Rest (D), Left Leg (A), Right Leg (B) and Back Leg (C) by Bolt (H) and Screwdriver (Not Provided).



5

Adjust the levelers on the bottom of Left Leg (A), Right Leg (B) and Back Leg (C) until the chair is level with the ground.



Stand up the chair on an even surface and check that it is balanced. If the chair has a slight wobble, apply downward pressure on the uneven leg and tighten all bolts to fix the imbalance. If the chair is now balanced, apply downward pressure evenly in the center of the chair and tighten all bolts. Do not over-tighten beyond hole depth.

Helpful Tip: Have someone sit in the chair while tightening the bolts from underneath.

Cleaning & Care

Treat surfaces with care. Surfaces are resistant to scratches but are not scratch resistant. Clean surfaces with a dry or damp soft cloth. Do not use abrasive cleaners. Hardware may loosen over time. Periodically check that all connections are tight.