



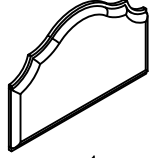
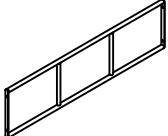
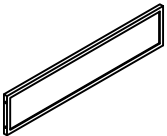
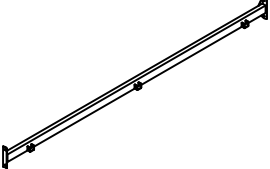










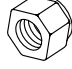

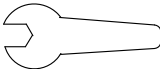
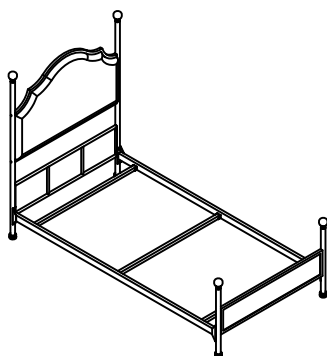


ASSEMBLY INSTRUCTION

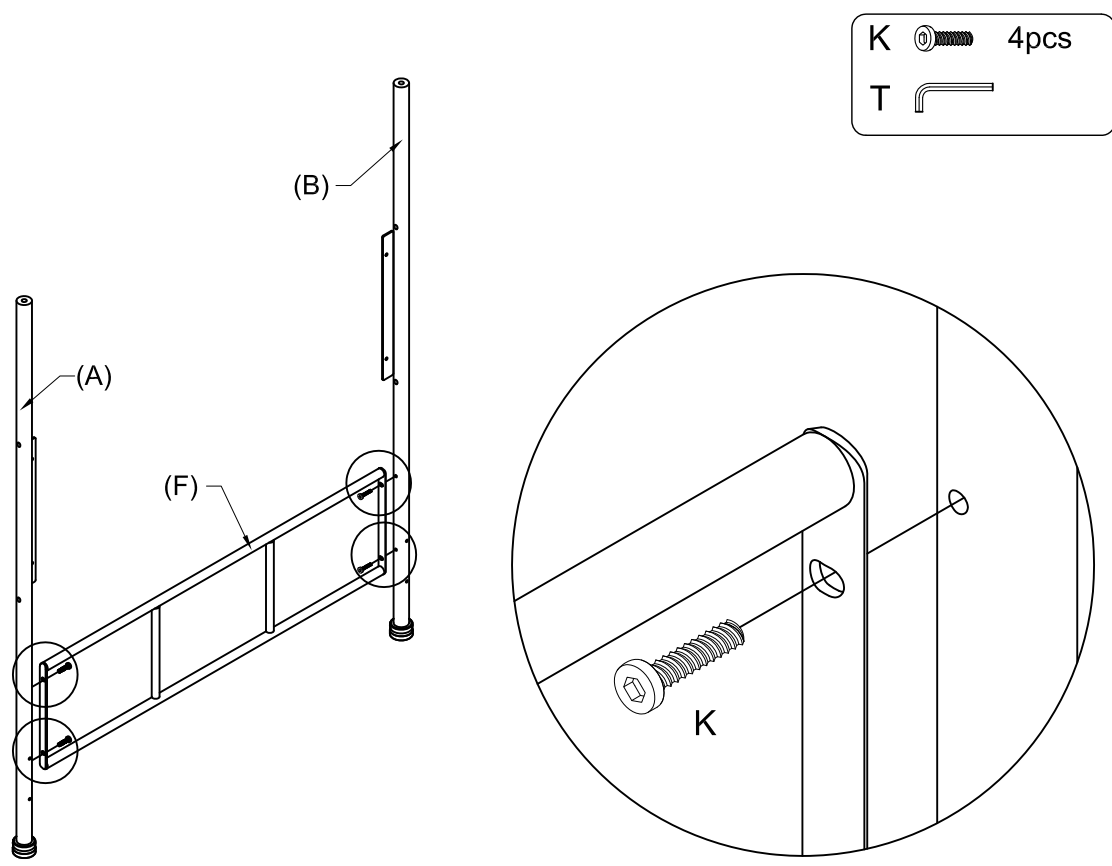
E638BT-1WL(3A) CANOPY TWIN SIZE HEADBOARD AND FOOTBOARD
 E638BT-2(3A) CANOPY TWIN SIZE RAILS + REGULAR SLATS

- | | | | | |
|--|---|--|---|---|
| A LEFT LOWER POSTS FOR HB

1pc | B RIGHT LOWER POSTS FOR HB

1pc | C LEFT EXTENTION LEG FOR FB

1pc | D RIGHT EXTENTION LEG FOR FB

1pc | E CUSHION FOR HB

1pc |
| F HEADBOARD PANEL

1pc | G FOOTBOARD PANEL

1pc | H SIDE RAILS

2pcs | I SLATS

3pcs | J FINIAL

4pcs |
| K BOLT 1/4",16MM

4pcs | L BOLT 1/4",22MM

8pcs | M BOLT 1/4",38MM

4pcs | N BOLT 1/4",44MM

8pcs | O BOLT 1/4",51MM

2pcs |
| P BOLT M4,17mm

4pcs | Q WASHER ø16mm

20pcs | R FLAT WASHER ø12mm

4pcs | S NUT 4X4MM

6pcs | T ALLEN WRENCH 4X4MM

1pc |
| U WRENCH 11.3MM

1pc | | | | |

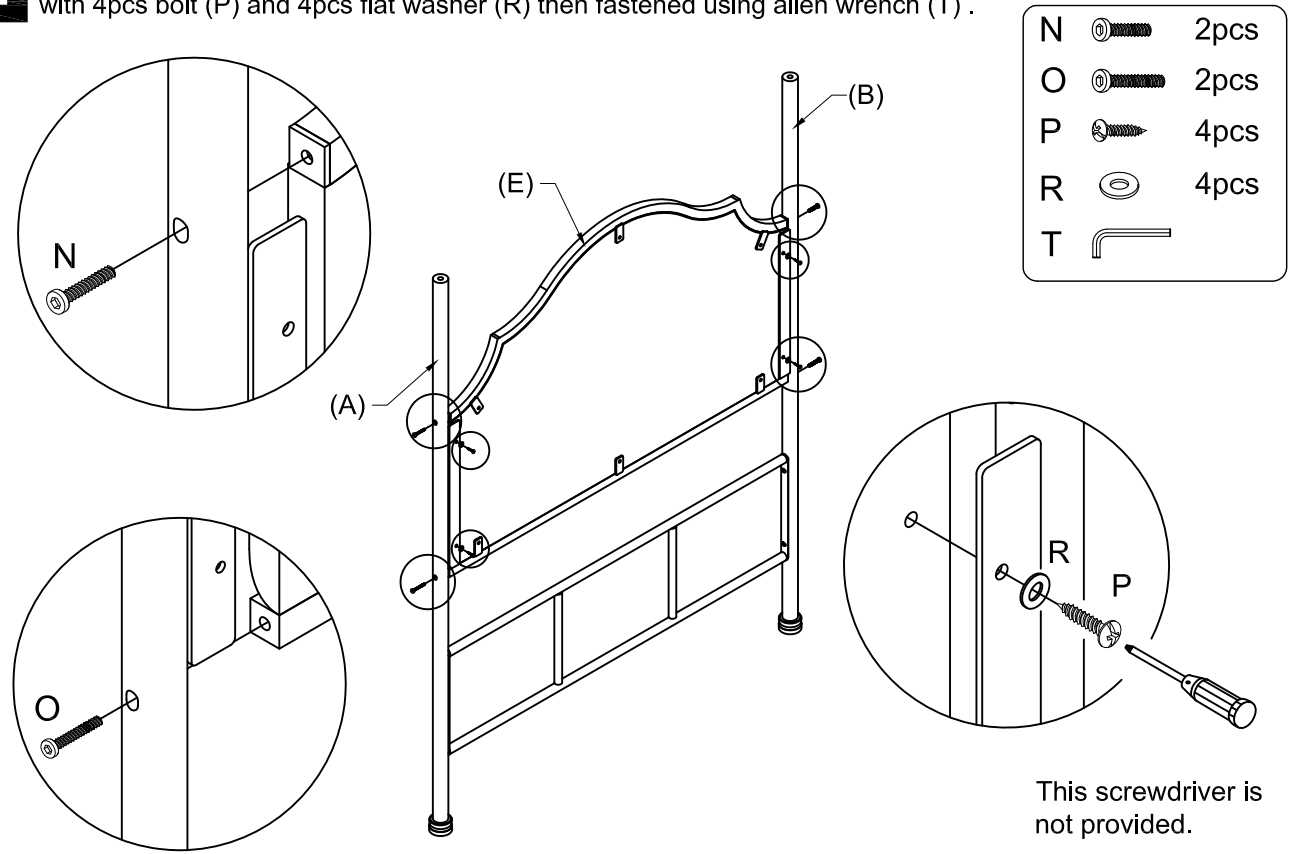


This page lists all the contents included in the box. Please take the time to identify the hardware as well as the individual components to this product. As you unpack and prepare for assembly, place the contents on a carpeted or padded area to protect them from damage.

1 Assemble the left lower posts (A) and the right lower posts (B) to the headboard panel (F) with 4pcs Bolt (K) then fastened using allen wrench (T).

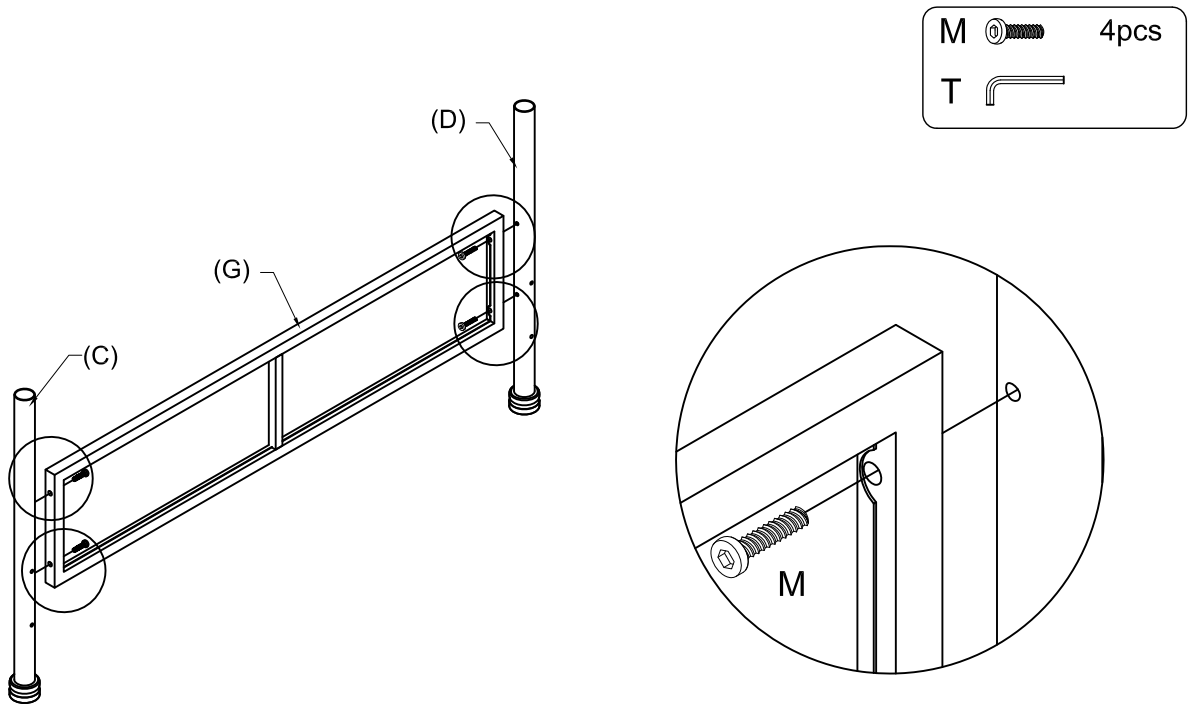


2 Assemble the cushion (E) to the left lower posts (A) and the right lower posts (B) with 2pcs bolt (N) , 2pcs bolt (O) with 4pcs bolt (P) and 4pcs flat washer (R) then fastened using allen wrench (T) .

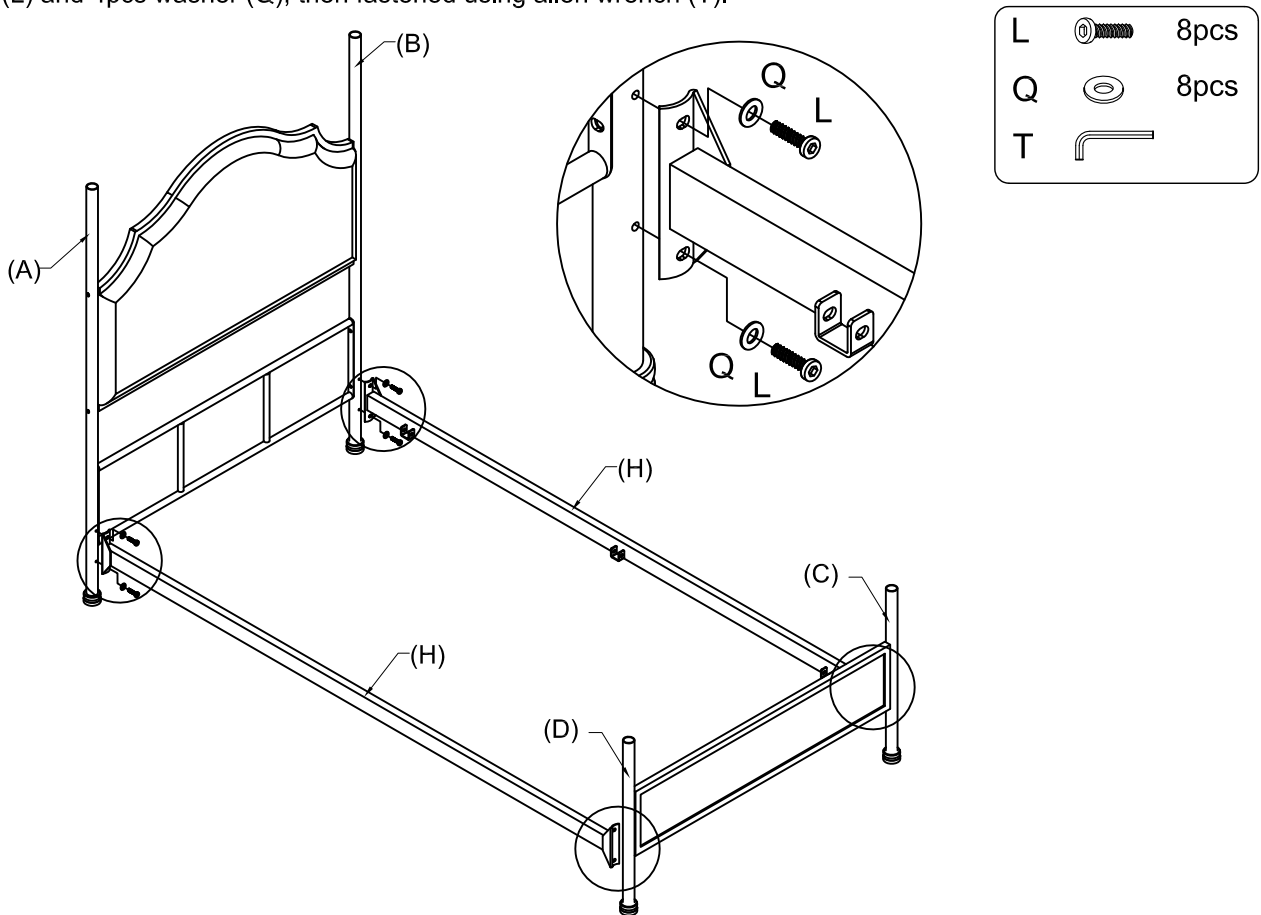


3

Assemble the left extension leg (C) and the right extension leg (D) to the footboard panel (G) with 4pcs bolt (M) then fastened using allen wrench (T).

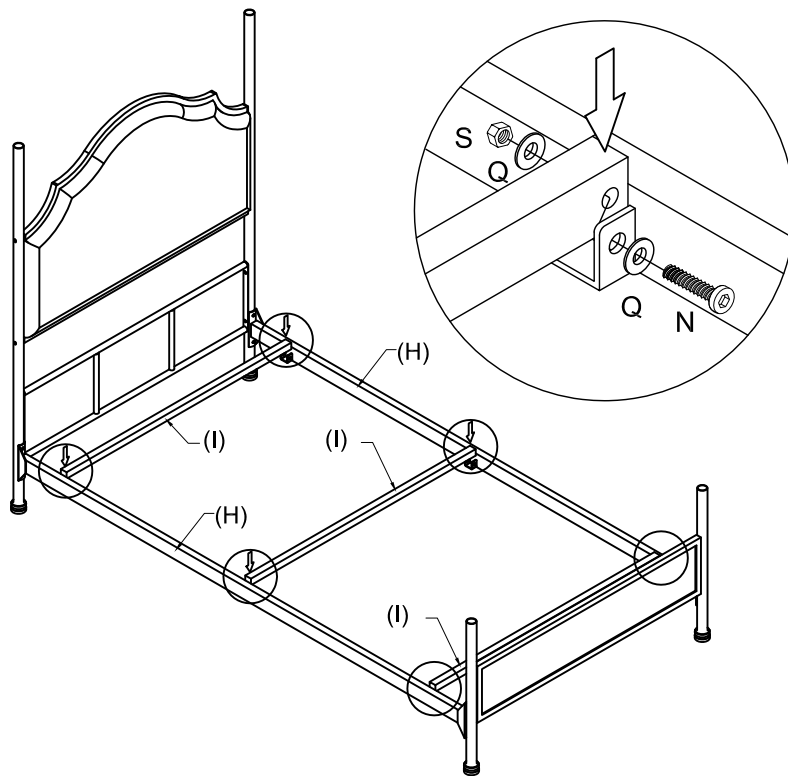
**4**






Assemble the side rails (H) to the left lower post (A) and the right lower post (B) with 4pcs bolt (L) and 4pcs washer (Q); assemble the side rails (H) to the left extension leg (C) and the right extension leg (D) with 4pcs bolt (L) and 4pcs washer (Q); then fastened using allen wrench (T).



5

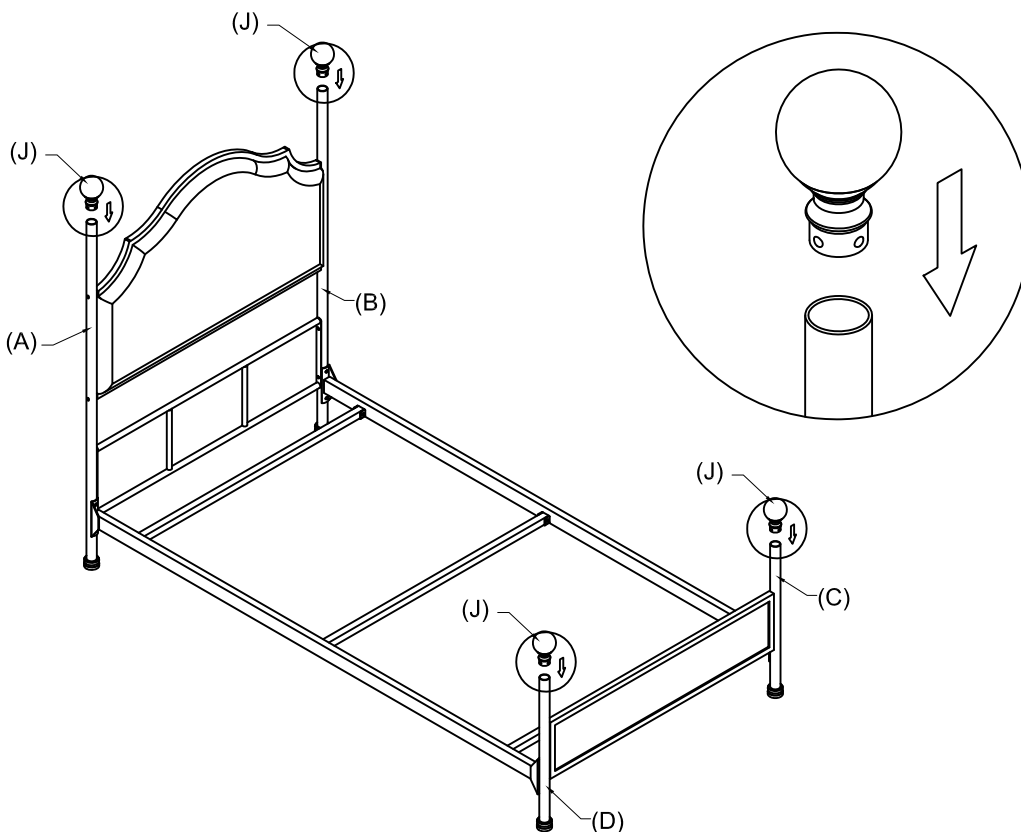
Assemble the slats (I) to the side rails (H) with 6pcs bolt (N) ,12pcs washer (Q) ,6pcs nuts (S), then fastened using allen wrench (T) and wrench (U).



N		6pcs
Q		12pcs
S		6pcs
T		
U		

6

Assemble the finial (J) to left lower posts (A) and right lower posts (B),left extension leg (C) and right extension leg (D).



Cleaning & Care

Treat surface with care. Surface is resistant to scratches but is not scratch resistant. Clean surfaces with a dry or damp soft cloth. Do not use abrasive cleaners. Hardware may loosen over time. Periodically check that all connections are tight.