
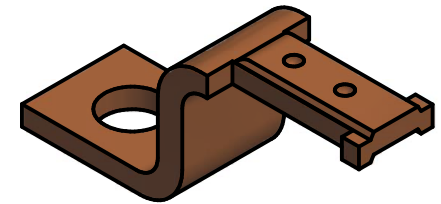
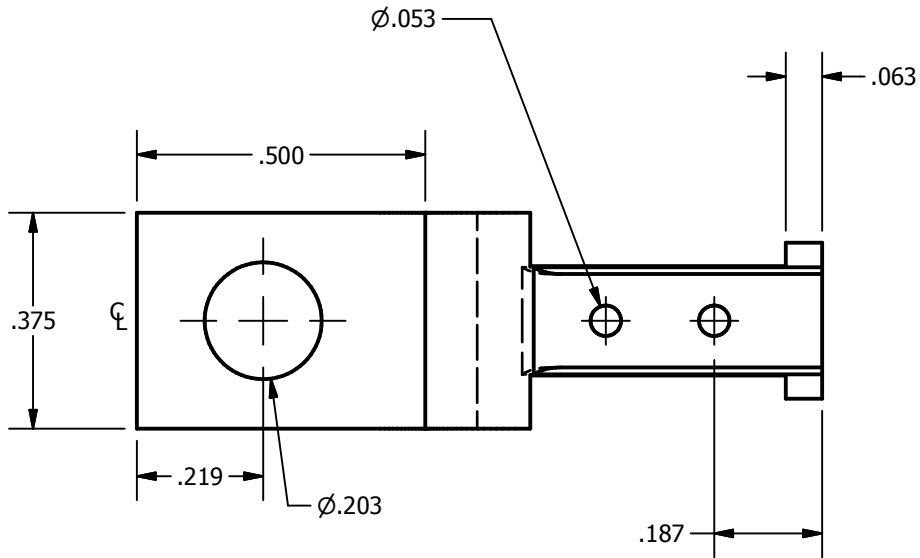
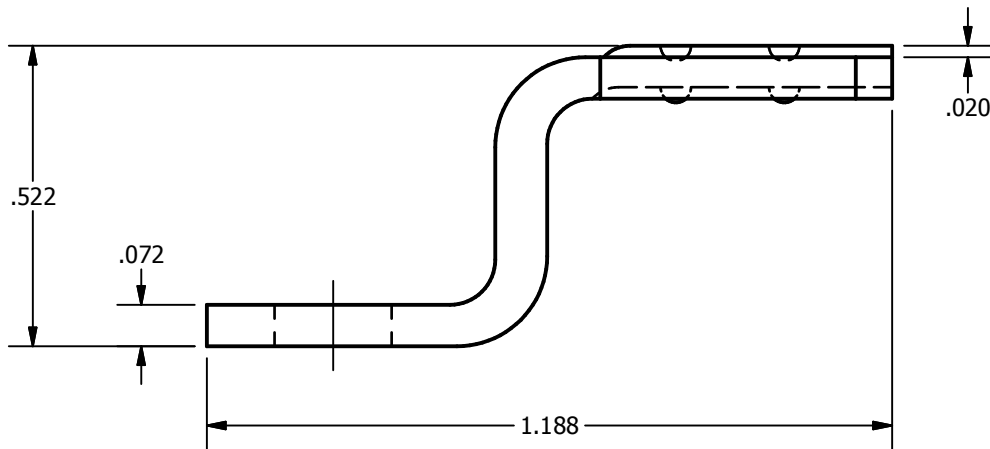



SCREW: NONE	MATERIAL: COPPER	REV: G		
CAT. NO.: NONE	PLATING: SEE CHART	DRAWN BY: JG	SCALE: 3=1	800-776-9775 www.ilsco.com
INFORMATION SHEET: NONE	MARKING: SEE CHART	DATE: 6/4/2007	SIZE: A	DWG. NO. F0013
				SHEET: 1 OF 1



VIEW9
SCALE 2 : 1



DEV	PLATING	MARKING
COOB	BRIGHT DIP	SLU-35 
COOT	EL-TIN	SLU-35 
C10B	BRIGHT DIP	BTC 0614 