



bestchoiceproducts



# INSTRUCTION MANUAL

---

Bathroom Floor Cabinet  
with Drawer



bestchoiceproducts

---

As shoppers, we're always trying to find the perfect balance between quality & value. At BCP, we believe we've achieved that. Our diverse catalog of everyday essentials is tailored especially to our customers & guaranteed to hit that sweet spot of high quality & low price.

— Always. —

## ! NOTICE

- Please do not exceed the weight limitations of this item.
- Do not stand on or use any part of this product as a step ladder.
- Firmly secure all bolts, screws and knobs before use.
- Reconfirm that all bolts, screws, and knobs are secure every 90 days.
- Do not use or store this item in the proximity of open flame or flammable/combustible chemicals.
- If any parts are missing, broken, damaged, or worn, stop using this item until repairs are made and/or factory replacement parts are installed.
- Do not use this item in a way inconsistent with the manufacturer's instructions as this could void the product warranty.

## TOOLS REQUIRED



PHILLIPS  
SCREWDRIVER



20 LBS  
TOP PANEL  
CAPACITY



10 LBS  
SHELF  
CAPACITY



1 PERSON  
ASSEMBLY



APPROXIMATELY  
45 MIN.  
ASSEMBLY

## HARDWARE

### 1 CAM BOLT



14 PCS

### 2 CAM LOCK



14 PCS

### 3 DOWEL



2 PCS

### 4 M3 X 12MM SCREW



13 PCS

### 5 KNOB



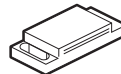
2 PCS

### 6 M4 X 18MM SCREW



2 PCS

### 7 MAGNETIC CATCH



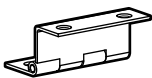
1 PC

### 8 METAL PLATE



1 PC

### 9 HINGE



2 PCS

### 10 SHELF PEG



4 PCS

### 11 M4 X 35MM SCREW



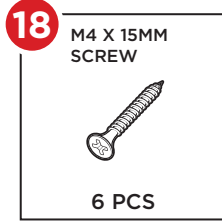
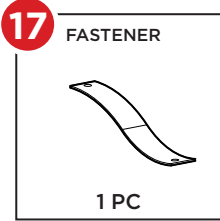
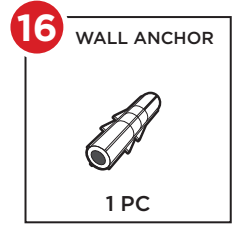
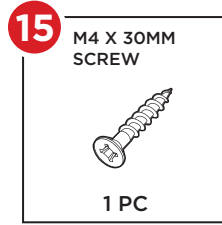
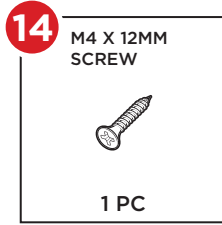
4 PCS

### 12 M4 X 25MM SCREW

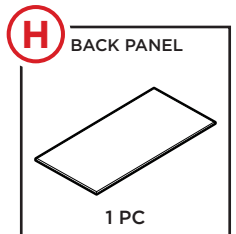
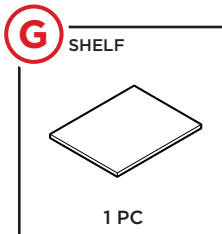
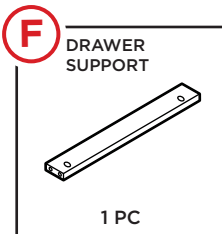
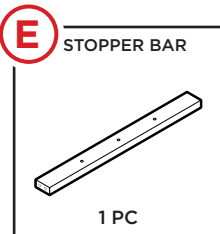
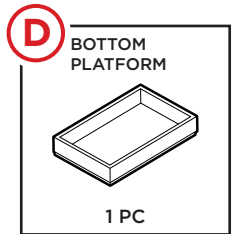
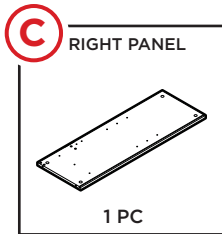
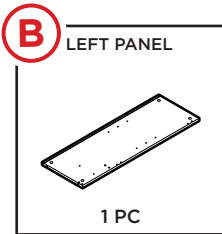
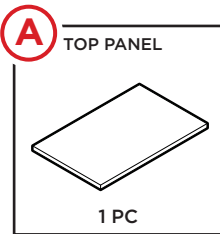


2 PCS

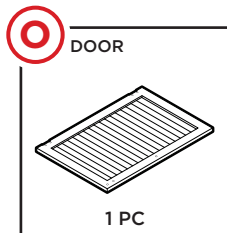
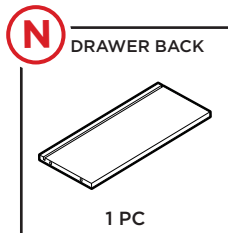
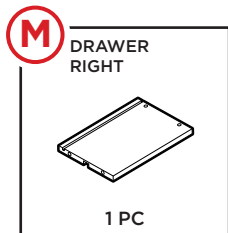
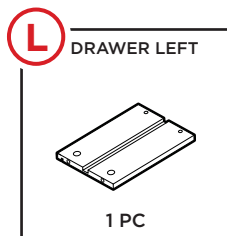
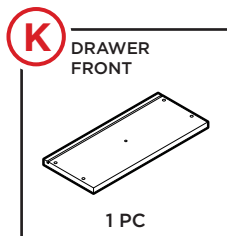
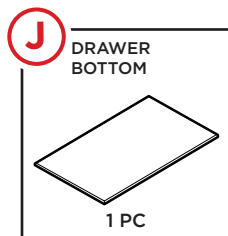
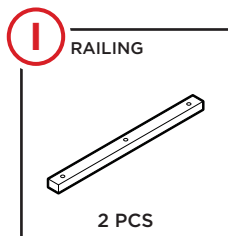
## HARDWARE



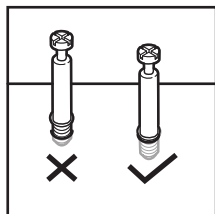
## PARTS



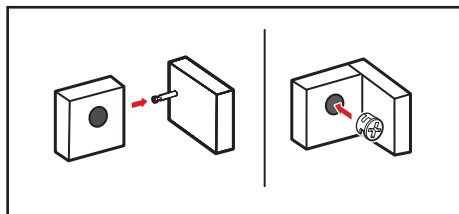
## PARTS



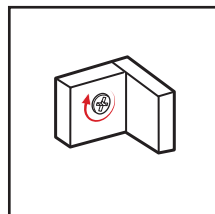
## TIGHTENING CAMLOCKS



1. Screw cam bolt in completely.



2. Insert cam bolt and cam lock into designated holes.

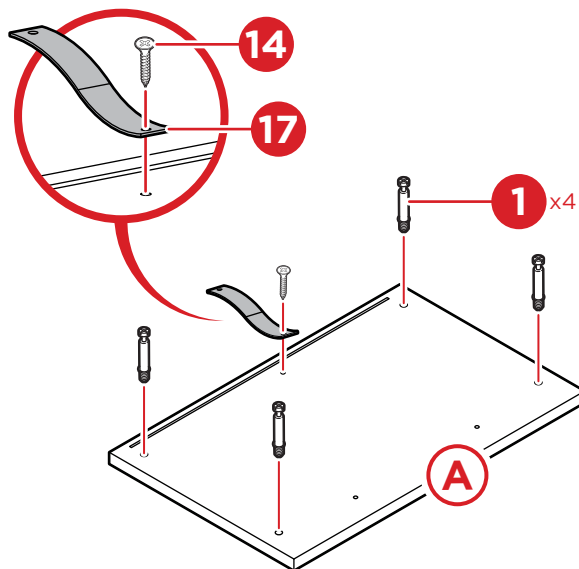


3. Screw cam lock clockwise to secure cam bolt.

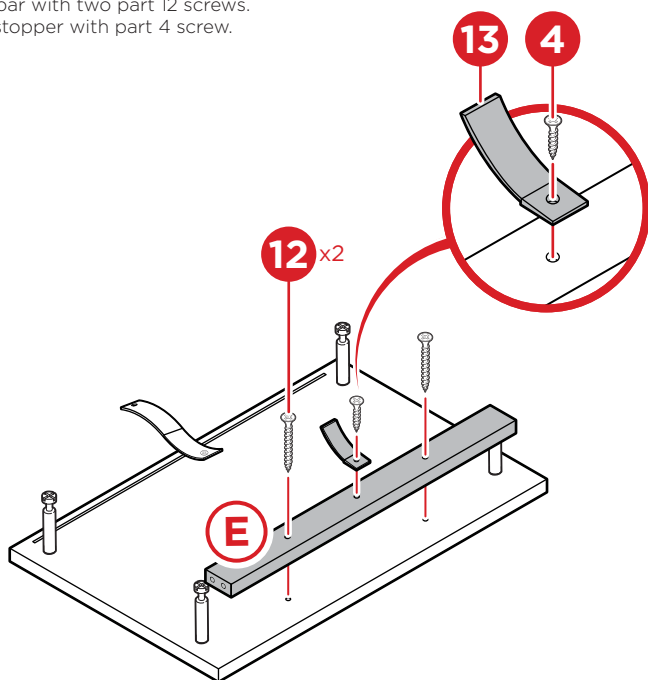
## PRODUCT ASSEMBLY

1

Screw four part 1 cam bolts into the part A top panel.  
Attach part 17 fastener with a part 14 screw.



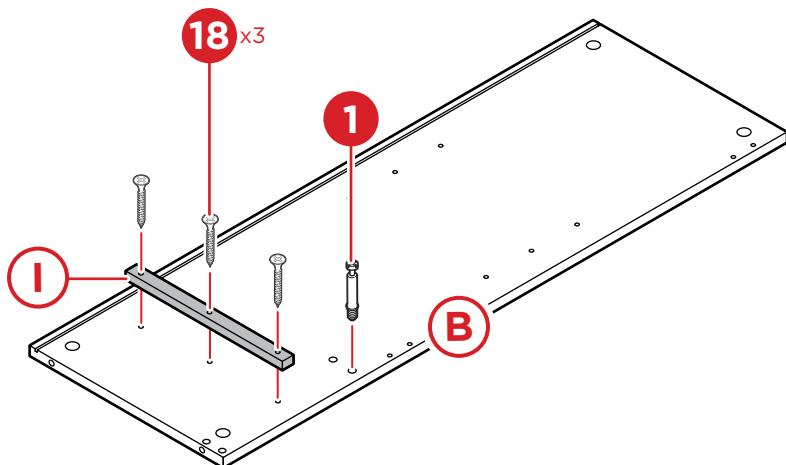
Attach part E stopper bar with two part 12 screws.  
Attach part 13 drawer stopper with part 4 screw.



## PRODUCT ASSEMBLY

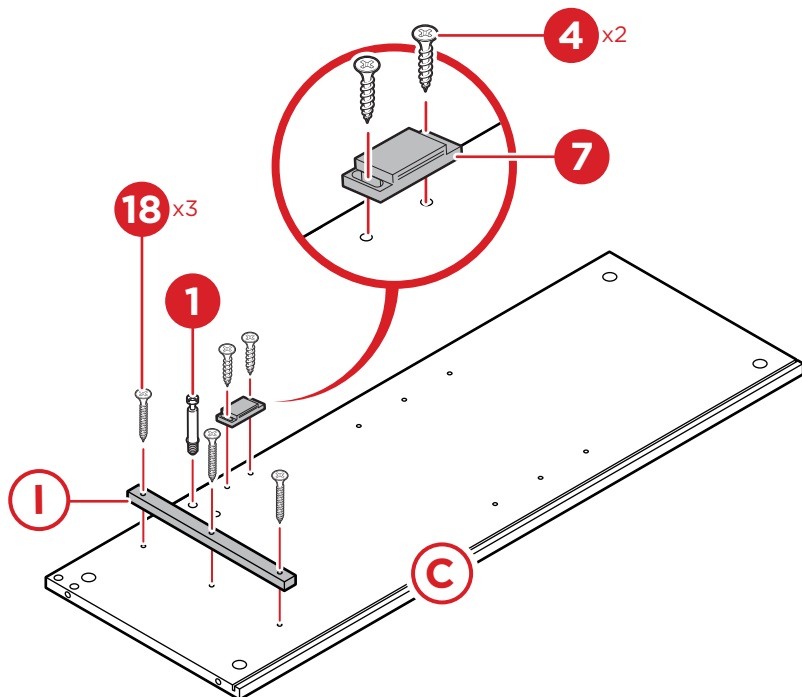
2

Attach a part I railing to part B left panel with three part 18 screws. Screw in a part 1 cam bolt.



3

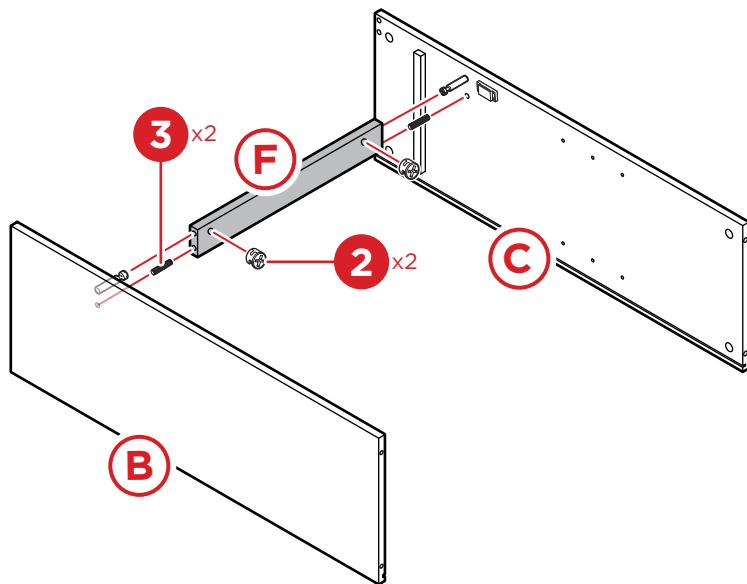
Attach a part I railing to part C right panel with three part 18 screws. Screw in a part 1 cam bolt. Attach part 7 magnetic catch with two part 4 screws.



## PRODUCT ASSEMBLY

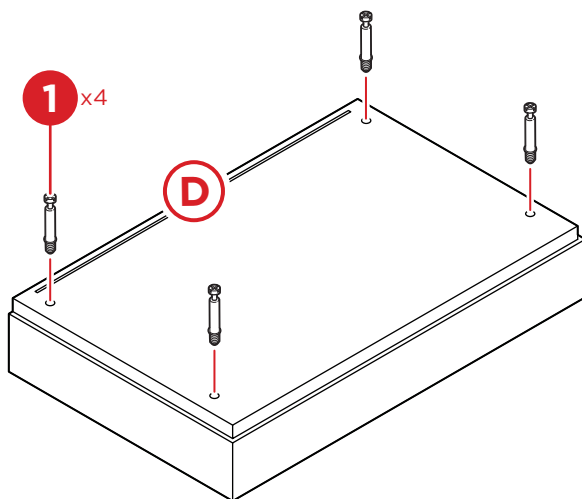
4

Attach part F drawer support to part B left panel and part C right panel with two part 3 dowels and two part 2 cam locks.



5

Screw four part 1 cam bolts into the part D bottom platform

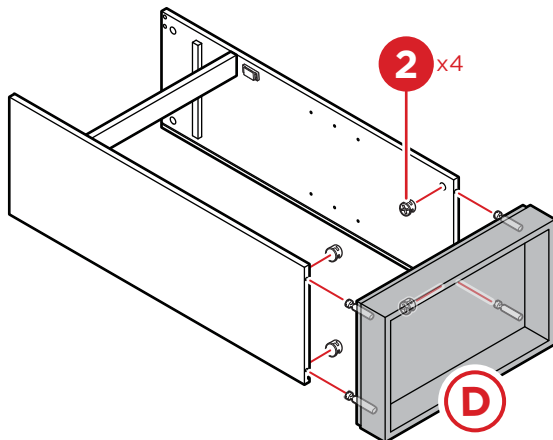




## PRODUCT ASSEMBLY

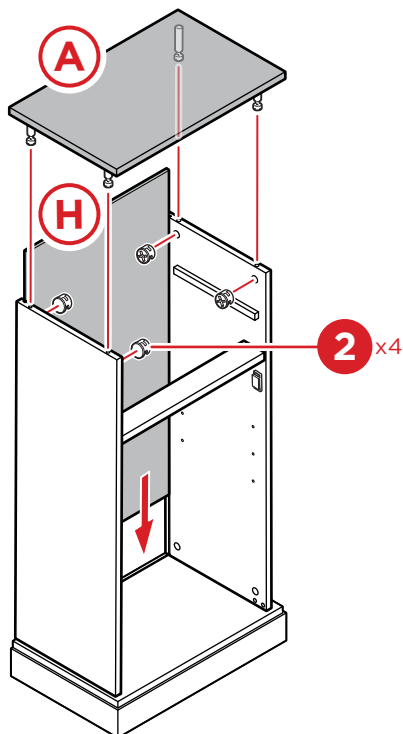
6

Attach part D bottom platform to left/right panels four part 2 cam locks.



7

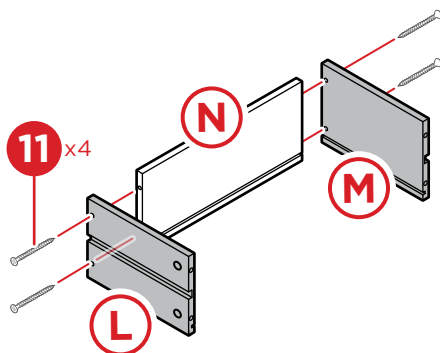
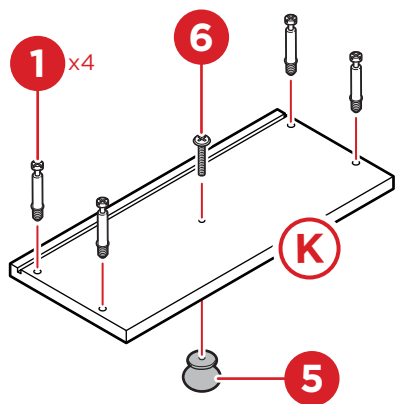
Slide in the part H back panel. Attach part A top panel with four part 2 cam locks.



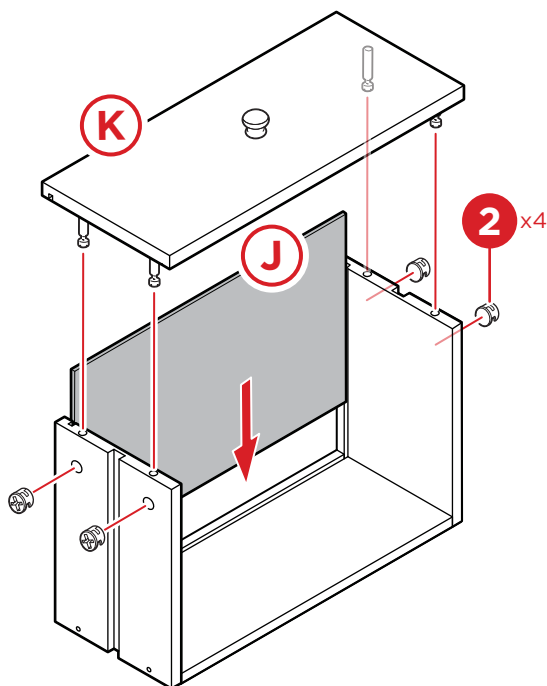
## PRODUCT ASSEMBLY

8

Screw four part 1 cam bolts into part K drawer front. Attach part 5 knob with a part 6 screw. Attach part L drawer left and part M drawer right to part N drawer back with four part 11 screws.



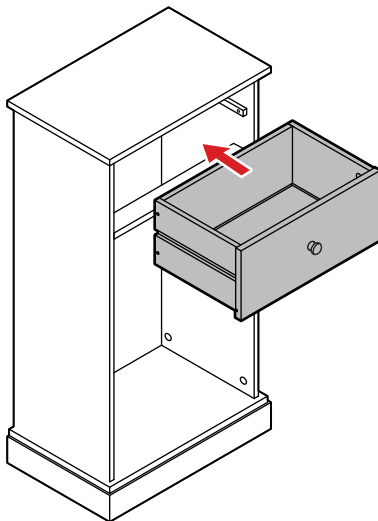
Slide in the part J drawer bottom. Attach the drawer front with four part 2 cam locks.



## PRODUCT ASSEMBLY

9

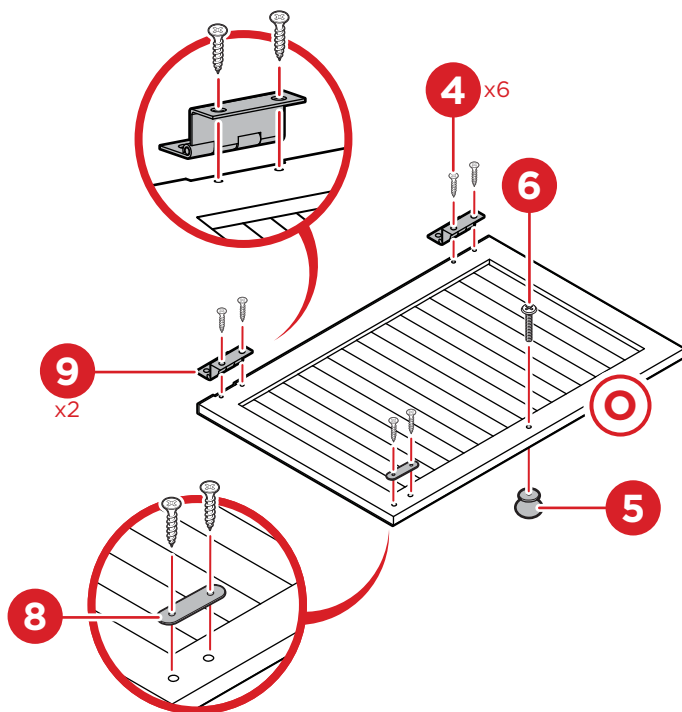
Slide the drawer onto the railings.



10

Attach two part 9 hinges to part O door with four part 4 screws.

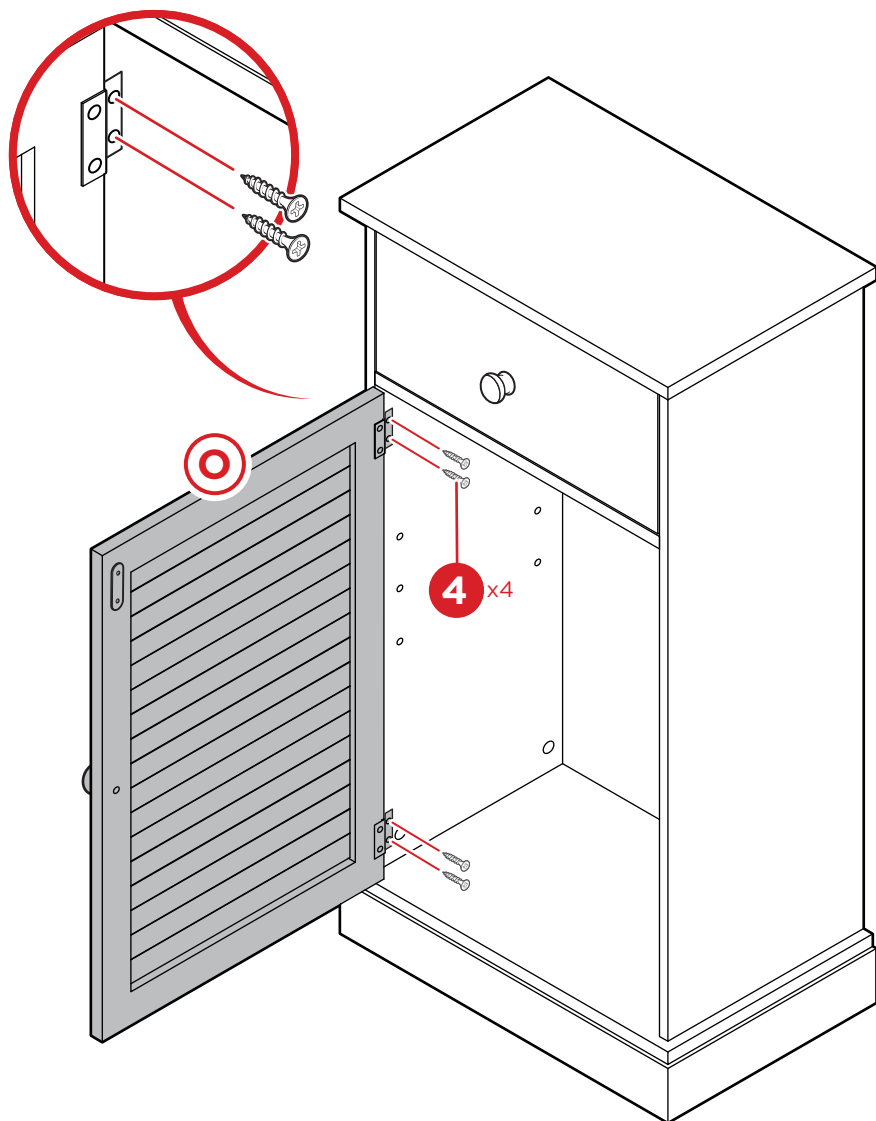
Attach part 8 metal plate with two part 4 screws. Attach part 5 knob with a part 6 screw.



## PRODUCT ASSEMBLY

11

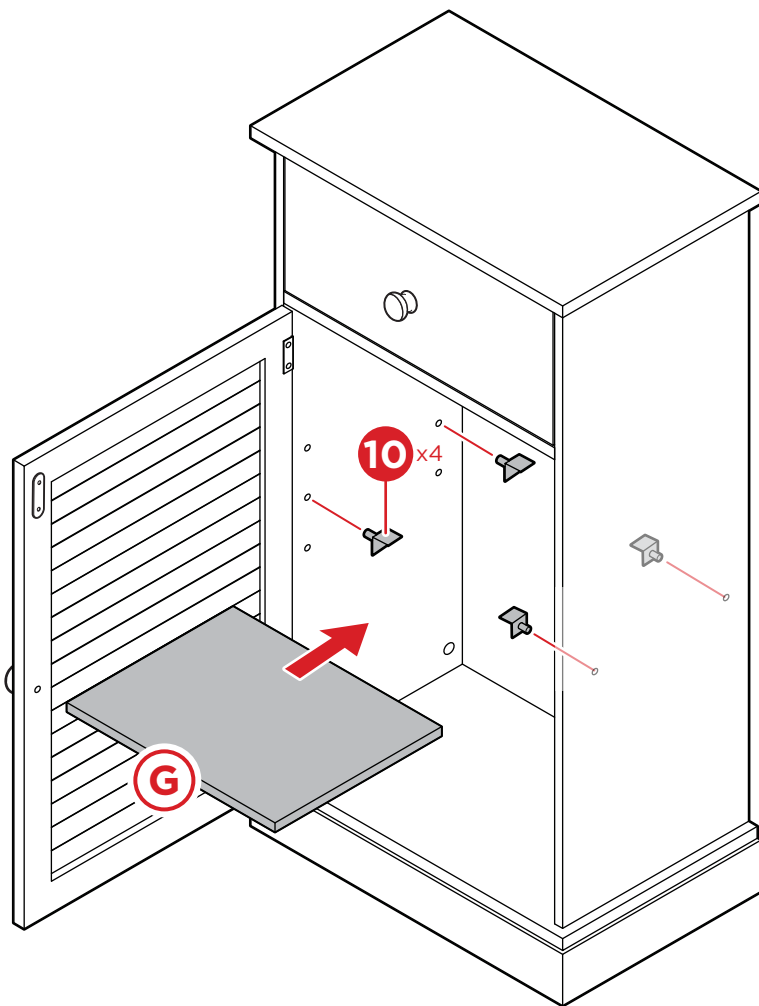
Attach the hinges on the part O door with four part 4 screws.



## PRODUCT ASSEMBLY

12

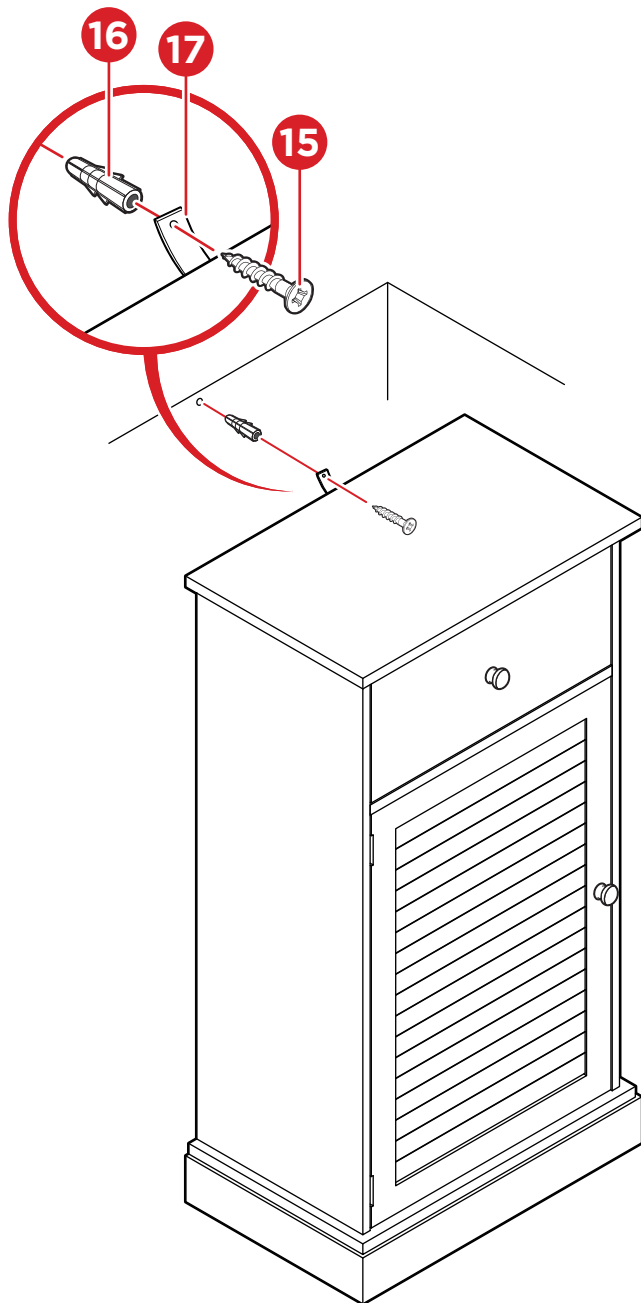
Insert four part 10 shelf pegs. Place part G shelf on the pegs.



## PRODUCT ASSEMBLY

**15**

If desired, secure the part 17 fastener to the wall with a part 16 wall anchor and part 15 screw.



Earn points while you shop. Join today!

bestchoiceproducts  
**rewards**

Join | Earn | Redeem

Give your friends 15% off their first order! For each successful referral you'll receive 100 points.

[bestchoiceproducts.com](https://bestchoiceproducts.com)



# HELP CENTER



Question about your product? We're here to help. Visit us at:

[help.bestchoiceproducts.com](http://help.bestchoiceproducts.com)



Product Assembly



Returns & Refunds

## PRODUCT WARRANTY INFORMATION

All items can be returned for any reason within 60 days of the receipt and will receive a full refund as long as the item is returned in its original product packaging and all accessories from its original shipment are included. All returned items will receive a full refund back to the original payment method. All returned items will not be charged a re-stocking fee.

All returned items require an RA (Return Authorization) number, which can only be provided by a Best Choice Products Customer Service Representative when the return request is submitted. Items received without an RA may not be accepted or may increase your return processing time. Once an item has been received by Best Choice Products, refunds or replacements will be processed within 5 business days.

All returns must be shipped back to the Best Choice Products Return Center at the customer's expense. If the reason for return is a result of an error by Best Choice Products then Best Choice Products will provide a pre-paid shipping label via email. Boxes for return shipping will not be provided by Best Choice Products, and is the customer's responsibility to either use the original shipping boxes or purchase new boxes.

Pictures may be required for some returns to ensure an item is not damaged prior to its return. Items returned are not considered undamaged until they are received by Best Choice Products and verified as such. All damages to items are the customer's responsibility until the item has been received by and acknowledge by Best Choice Products as undamaged.

## WARNING

Manufacturer and seller expressly disclaim any and all liability for personal injury, property damage or loss, whether direct, indirect, or incidental, resulting from the incorrect attachment, improper use, inadequate maintenance, or neglect of this product.