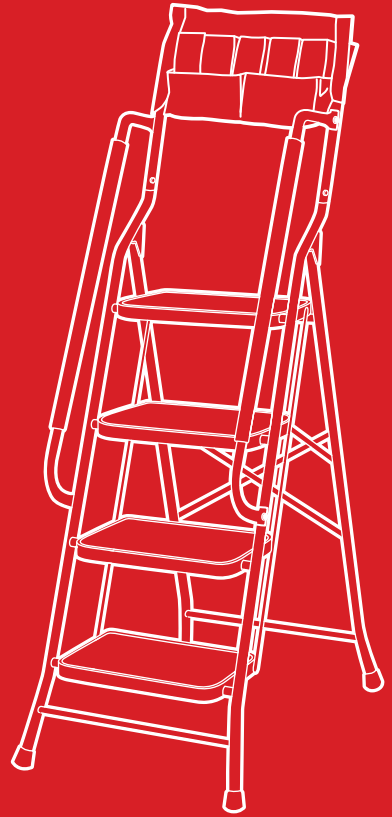




bestchoiceproducts



# INSTRUCTION MANUAL

---

4-Step Portable  
Folding Ladder



bestchoiceproducts

---

As shoppers, we're always trying to find the perfect balance between quality & value. At BCP, we believe we've achieved that. Our diverse catalog of everyday essentials is tailored especially to our customers & guaranteed to hit that sweet spot of high quality & low price.

— Always. —

## ! NOTICE

- Only use item on a stable and level surface.
- Item is intended for household use only.
- Do not allow children to climb the ladder. Keep children away from work area.
- Please do not exceed the weight limitations of this item.
- Firmly secure all bolts, screws and knobs before use.
- Reconfirm that all bolts, screws, and knobs are secure every 90 days.
- If any parts are missing, broken, damaged, or worn, stop using this product until repairs are made and/or factory replacement parts are installed.
- Do not use this item in a way inconsistent with the manufacturer's instructions as this could void the product warranty.

## ⚠ WARNING

- Do not use without handrails attached.
- Before use, ensure ladder is fully unfolded and hinges, steps, and safety lock are securely in position.
- Only one person can use the ladder at a time.
- Be careful when mounting or dismounting the ladder. Always mount and dismount facing towards the ladder.
- Do not lean when standing on the ladder; always move ladder to a more suitable position.
- Always clear work area (including overhead) of hazards and obstacles before use.
- Always wear suitable footwear when using ladder.
- Periodically check that all hardware is secure and well lubricated.

## TOOLS REQUIRED



PHILLIPS  
SCREWDRIVER



SMALL  
WRENCH



225 LBS  
CAPACITY



1 PERSON  
ASSEMBLY



APPROXIMATELY  
10 MIN.  
ASSEMBLY

## HARDWARE

1

M5 X 35MM  
BOLT



4 PCS

2

WASHER



4 PCS

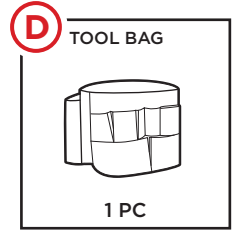
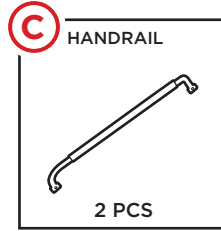
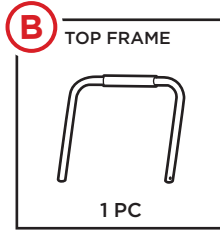
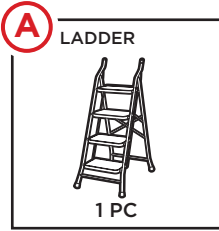
3

M5 NUT



4 PCS

## PARTS

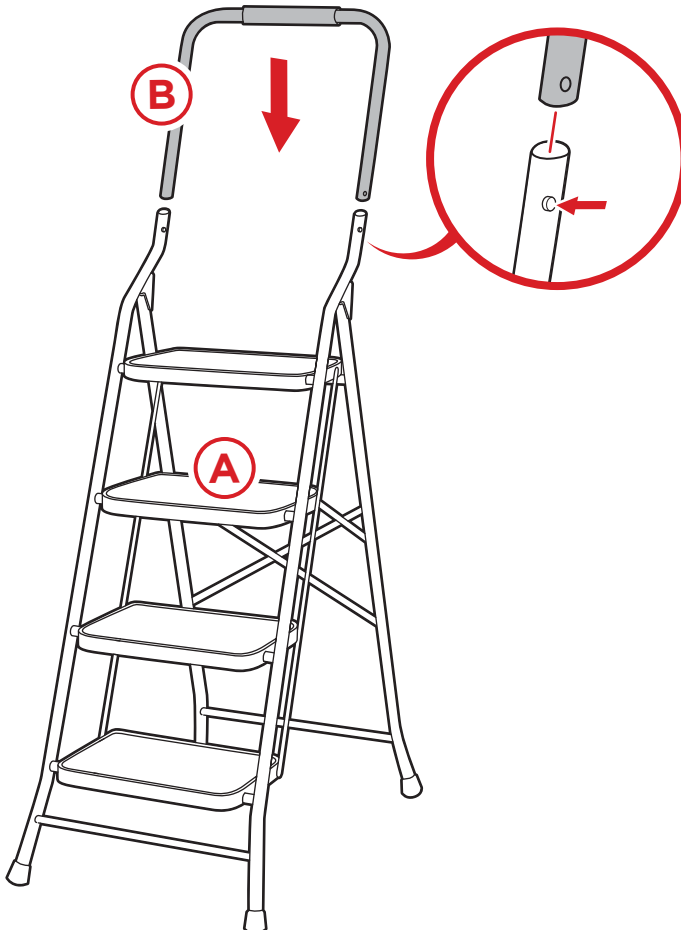


## PRODUCT ASSEMBLY

1

Unfold the part A ladder.

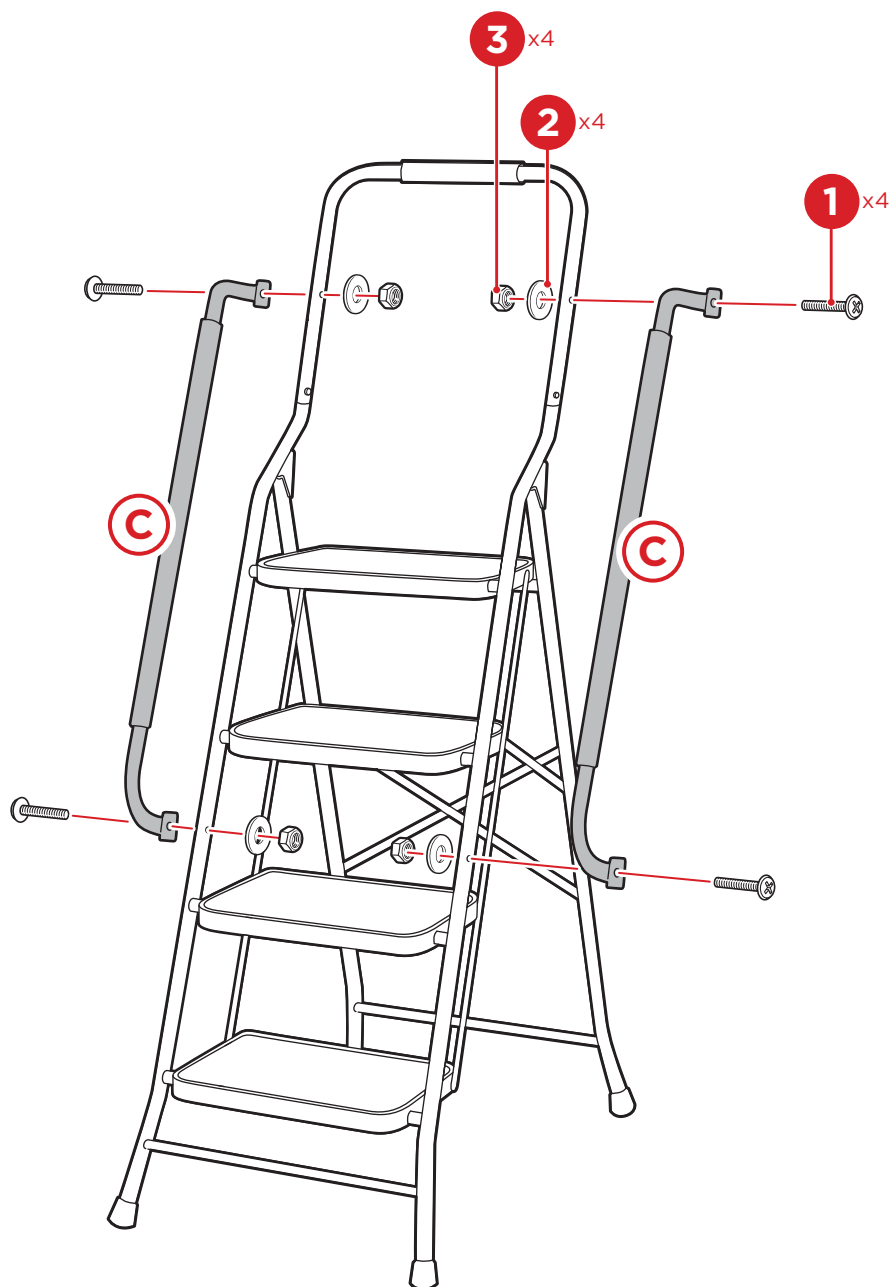
Slide the part B top frame into the ladder. Compress the four buttons and insert the top frame until it locks in place.



## PRODUCT ASSEMBLY

2

Attach two part C handrails with four part 1 bolts, four part 2 washers, and four part 3 nuts.

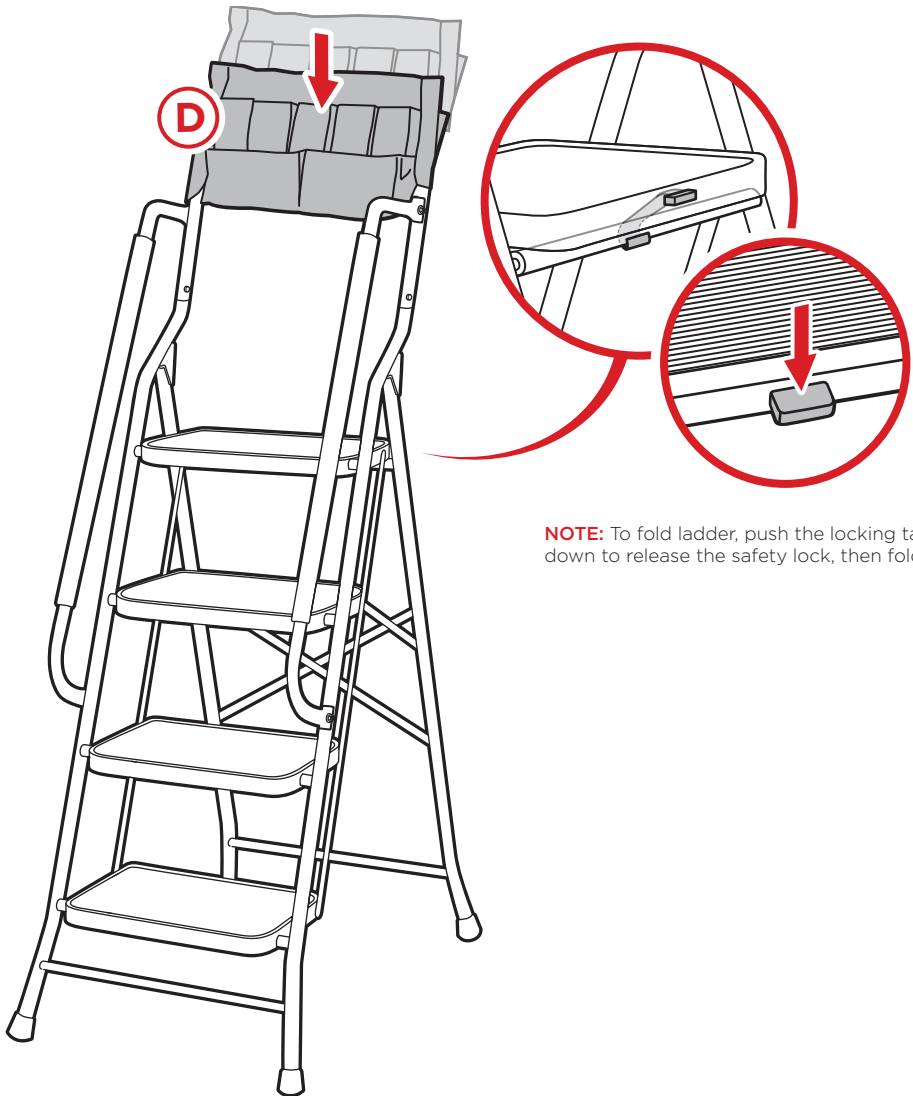


## PRODUCT ASSEMBLY

3

Slide on the part D tool bag.

Make sure that the safety lock underneath the top step is secured in position.



**NOTE:** To fold ladder, push the locking tab down to release the safety lock, then fold.

Earn points while you shop. Join today!

bestchoiceproducts  
**rewards**

Join | Earn | Redeem

Give your friends 15% off their first order! For each successful referral you'll receive 100 points.

[bestchoiceproducts.com](https://bestchoiceproducts.com)



# HELP CENTER



Question about your product? We're here to help. Visit us at:

[help.bestchoiceproducts.com](http://help.bestchoiceproducts.com)



Product Assembly



Returns & Refunds

## PRODUCT WARRANTY INFORMATION

All items can be returned for any reason within 60 days of the receipt and will receive a full refund as long as the item is returned in its original product packaging and all accessories from its original shipment are included. All returned items will receive a full refund back to the original payment method. All returned items will not be charged a re-stocking fee.

All returned items require an RA (Return Authorization) number, which can only be provided by a Best Choice Products Customer Service Representative when the return request is submitted. Items received without an RA may not be accepted or may increase your return processing time. Once an item has been received by Best Choice Products, refunds or replacements will be processed within 5 business days.

All returns must be shipped back to the Best Choice Products Return Center at the customer's expense. If the reason for return is a result of an error by Best Choice Products then Best Choice Products will provide a pre-paid shipping label via email. Boxes for return shipping will not be provided by Best Choice Products, and is the customer's responsibility to either use the original shipping boxes or purchase new boxes.

Pictures may be required for some returns to ensure an item is not damaged prior to its return. Items returned are not considered undamaged until they are received by Best Choice Products and verified as such. All damages to items are the customer's responsibility until the item has been received by and acknowledge by Best Choice Products as undamaged.

## WARNING

Manufacturer and seller expressly disclaim any and all liability for personal injury, property damage or loss, whether direct, indirect, or incidental, resulting from the incorrect attachment, improper use, inadequate maintenance, or neglect of this product.