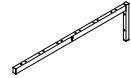
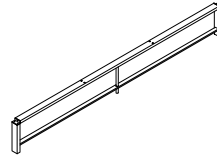
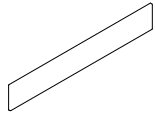
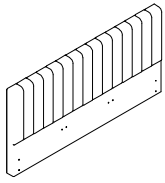


ASSEMBLY INSTRUCTION

UPHOLSTERED STORAGE PLATFORM EASTERN KING BED

A Headboard **B** Footboard **C** Center Support Bar **D** Rail Section - Front



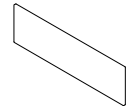
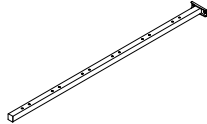
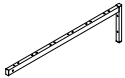
1PC

1PC

1PC

2PCS

E Rail Section - Rear **F** Center Rail - Front / Rear **G** Center Support Leg **H** Drawer Front Board



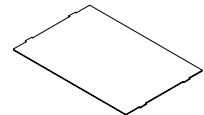
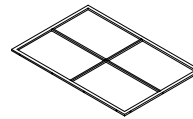
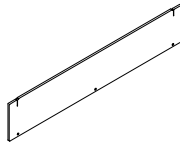
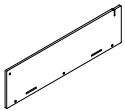
2PCS

4PCS

4PCS

4PCS

I Drawer Side Board **J** Drawer Back Board **K** Drawer Bottom Frame **L** Drawer Bottom Board



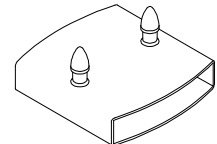
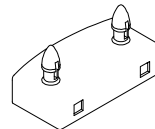
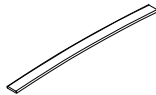
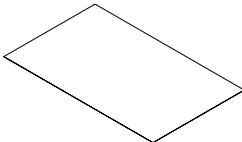
8PCS

4PCS

4PCS

4PCS

M Fabric Cover **N** Slat **O** Side Slat Connector **P** Center Slat Connector



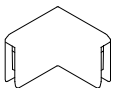
1PC

36PCS

24PCS

24PCS

Q Drawer Board Connector **R** Wheel **S** Bracket 120*42*27*2mm **T** Bracket 27*27*30*2mm



8PCS

20PCS

2PCS

8PCS

U Bolt 1/4"*19mm **V** Bolt 1/4"*17.5mm **W** Bolt 1/4"*40mm **X** Bolt 3/16"*19mm



6PCS

24PCS

12PCS

36PCS

Y Bolt
3/16"*8mm



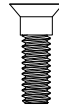
48PCS

Z Bolt
1/4"*13mm



8PCS

AA Bolt
1/4"*19mm



4PCS

AB Bolt
1/4"*34mm



16PCS

AC Nut
3/16"*6.5mm



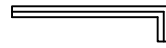
8PCS

AD Washer
Ø16mm

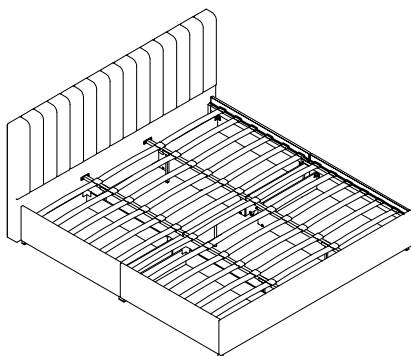


48PCS

AE L-Allen Key
4mm



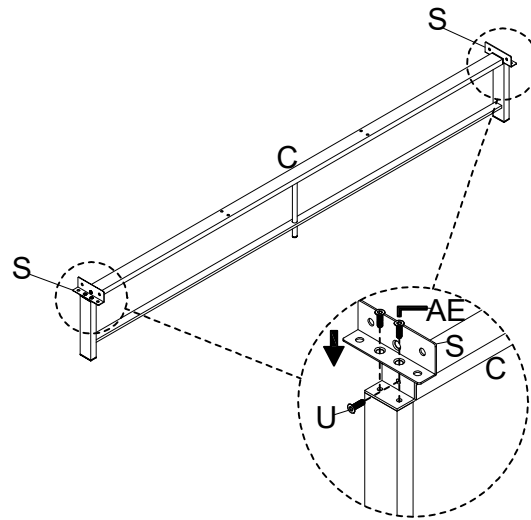
2PCS



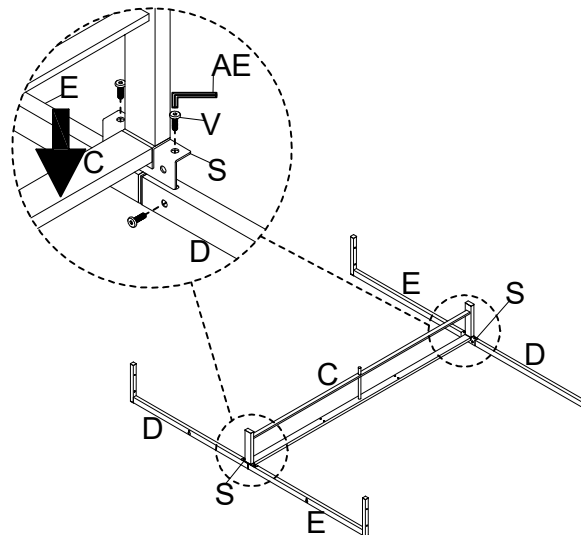
This page lists all the contents included in the box. Please take the time to identify the hardware as well as the individual components to this product. As you unpack and prepare for assembly, place the contents on a carpeted or padded area to protect them from damage.

1

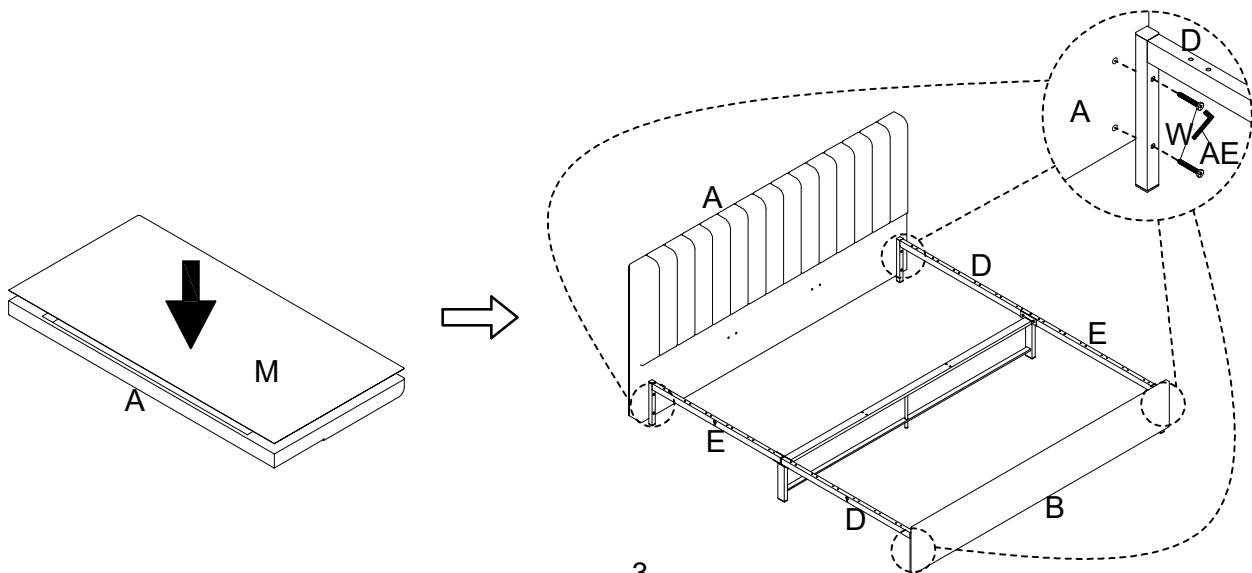
Attach the Bracket (S) to Center Support Bar (C), insert the Bolt (U), turn the L-Allen Key (AE) to tighten them.

**2**

Attach the Bracket (S) to the Rail Section - Front (D) and Rail Section - Rear (E), insert the Bolt (V), turn the L-Allen Key (AE) to tighten them.

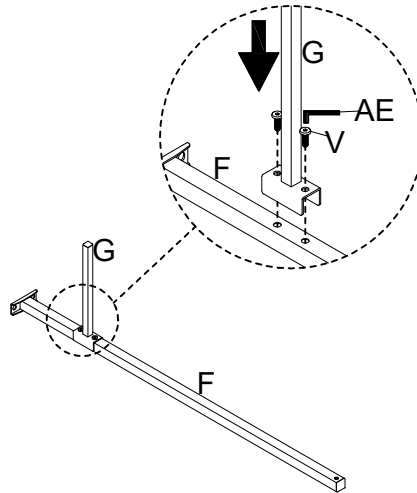
**3**

Cover the Fabric Cover (M) to the Headboard (A). Attach the Headboard (A) and the Footboard (B) to the assembled Rail Sections (D) & (E), insert the Bolt (W), turn the L-Allen Key (AE) to tighten them.

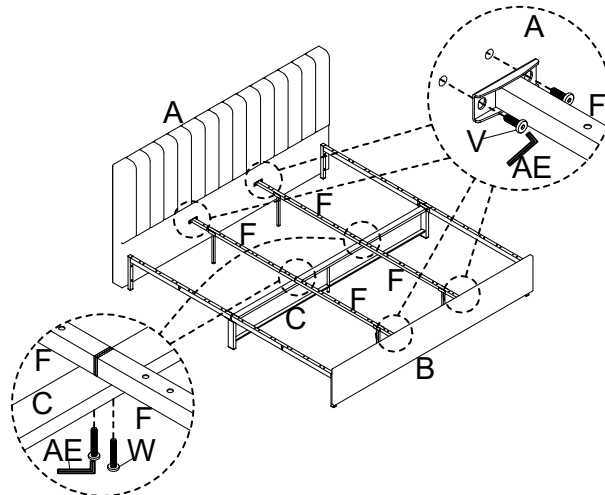


4

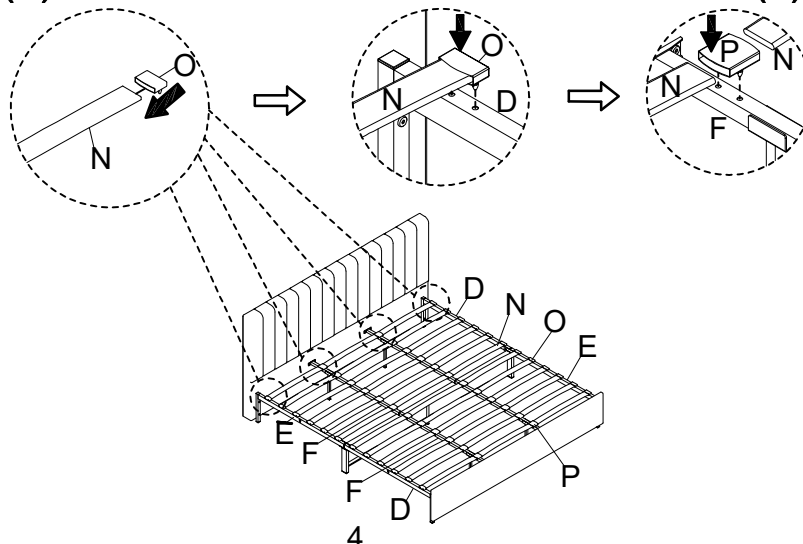
Attach the Center Support Leg (G) to the Center Rail - Front / Rear (F), insert the Bolt (V), turn the L-Allen Key (AE) to tighten them.

**5**

Attach the Center Rail - Front / Rear (F) to the Headboard (A) and the Footboard (B), insert the Bolt (V), turn the L-Allen Key (AE) to tighten them. Then attach the Center Rail - Front / Rear (F) to the Center Support Bar (C), insert the Bolt (W), turn the L-Allen Key (AE) to tighten them.

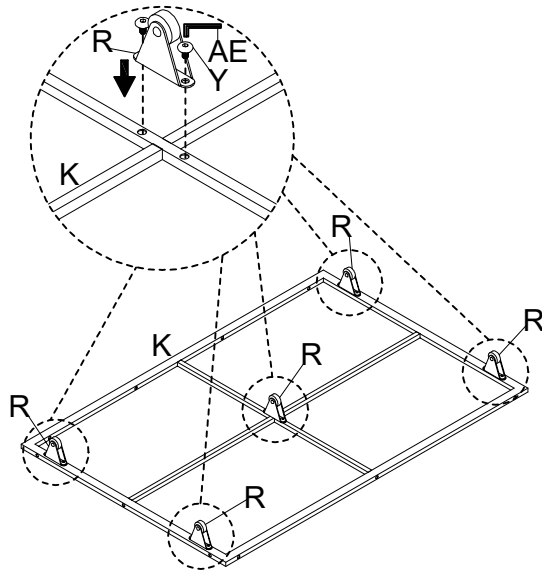
**6**

Insert the Side Slat Connector (O) to the Slat (N). Press the Side Slat Connector (O) to the holes of Rail Sections (D) & (E). Insert another side of Slat (N) to the Center Slat Connector (P), press the Center Slat Connector (P) to the holes of Center Rail - Front / Rear (F).

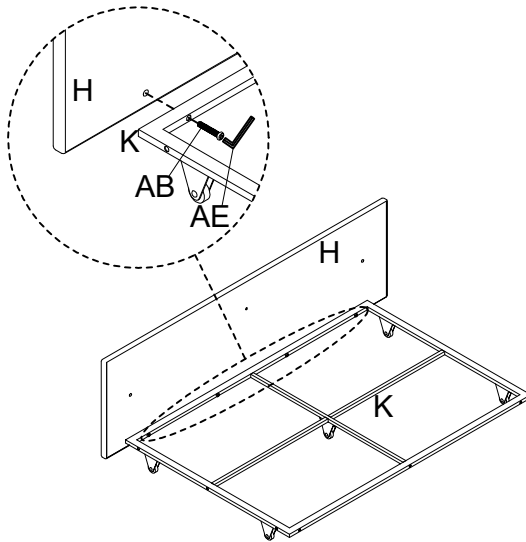


7

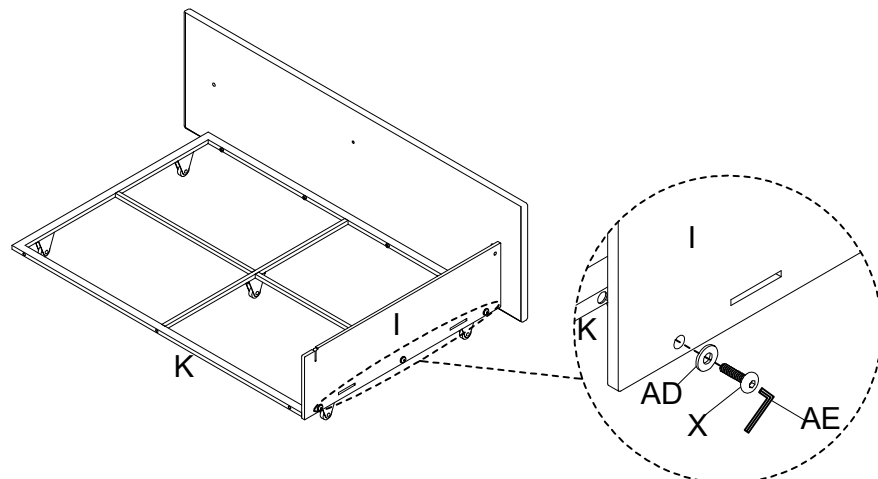
Attach the Wheel (R) to the Drawer Bottom Frame (K), insert the Bolt (Y), turn the L-Allen Key (AE) to tighten them.

**8**

Attach the Drawer Front Board (H) to the Drawer Bottom Frame (K), insert the Bolt (AB), turn the L-Allen Key (AE) to tighten them.

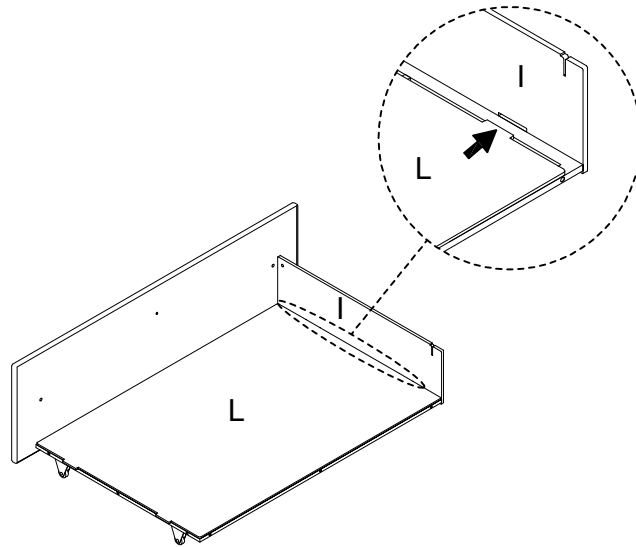
**9**

Attach one Drawer Side Board (I) to the Drawer Bottom Frame (K), insert the Bolt (X) and Washer (AD), turn the L-Allen Key (AE) to tighten them.

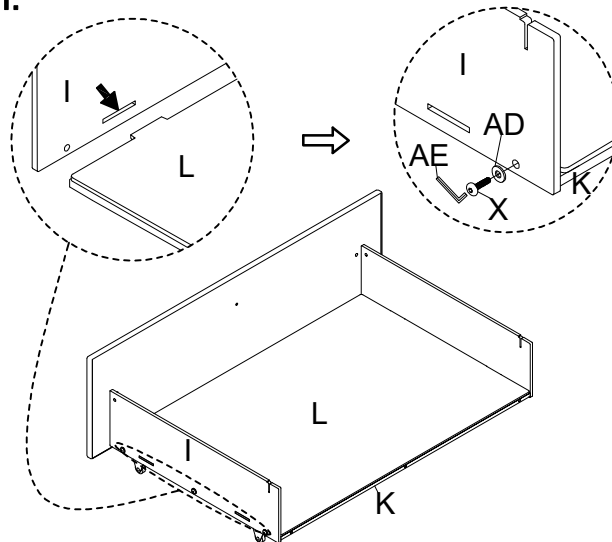


10

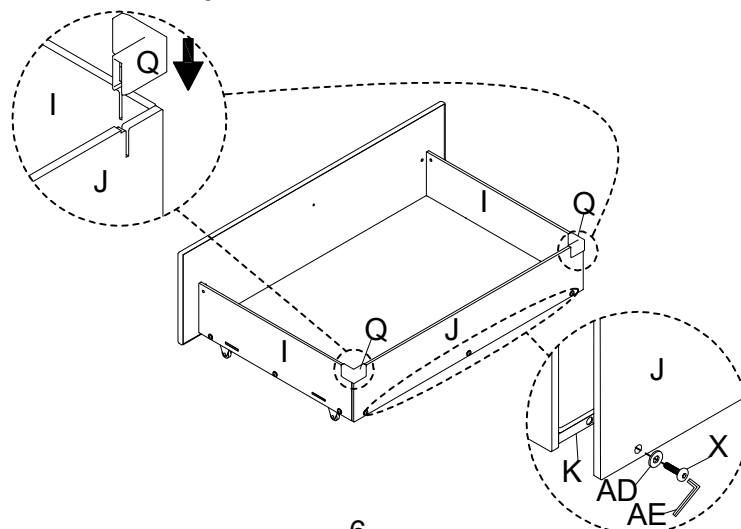
Insert the Drawer Bottom Board (L) to the assembled Drawer Side Board (I).

**11**

Insert another Drawer Side Board (I) to the Drawer Bottom Board (L) first, and attach the Drawer Side Board (I) to the Drawer Bottom Frame (K), then insert the Bolt (X) and Washer (AD), turn the L-Allen Key (AE) to tighten them.

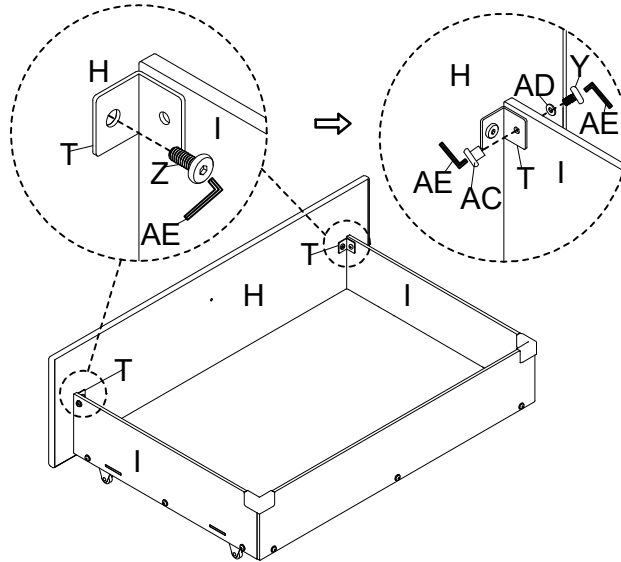
**12**

Attach the Drawer Back Board (J) to the Drawer Bottom Frame (K), insert the Bolt (X) and Washer (AD), turn the L-Allen Key (AE) to tighten them. Attach the Drawer Board Connector (Q) to the assembled drawer, insert them into correct places.

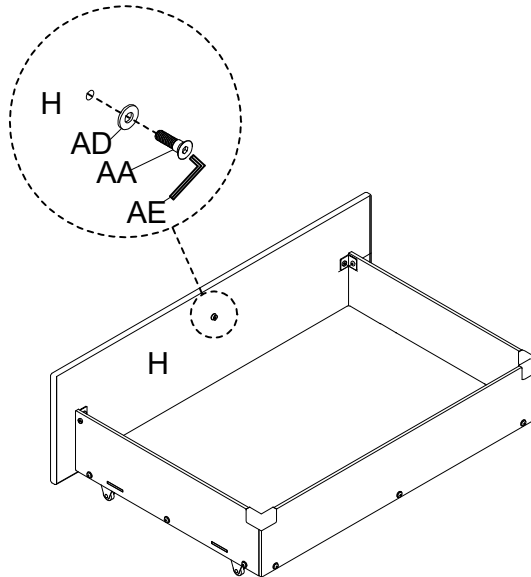


13

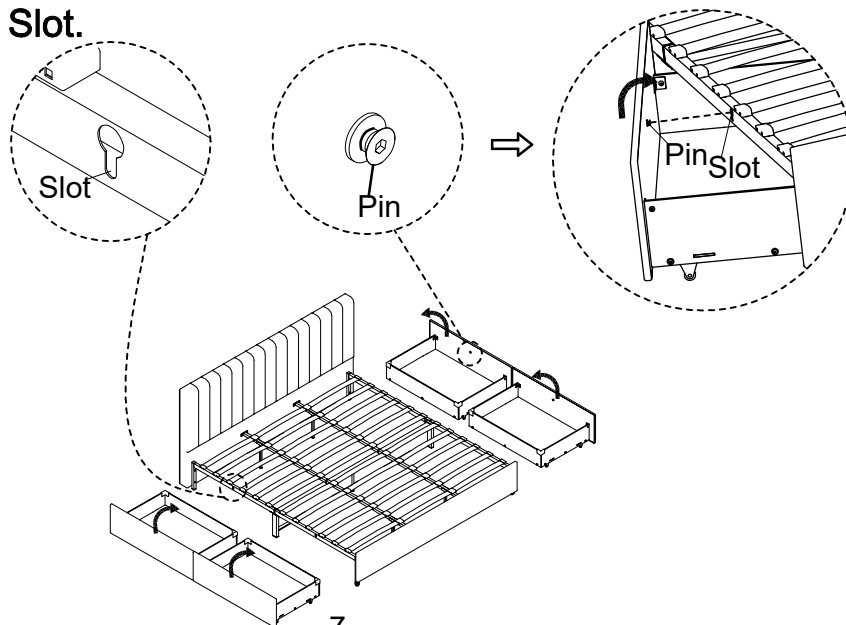
Attach the Bracket (T) to the assembled drawer, insert the Bolt (Z), turn the L-Allen Key (AE) to tighten them. And insert the Bolt (Y), Washer (AD) and Nut (AC), turn the L-Allen Key (AE) to tighten them.

**14**

Insert the Bolt (AA) and Washer (AD) to the back of Drawer Front Board (H), turn the L-Allen Key (AE) to tighten them.

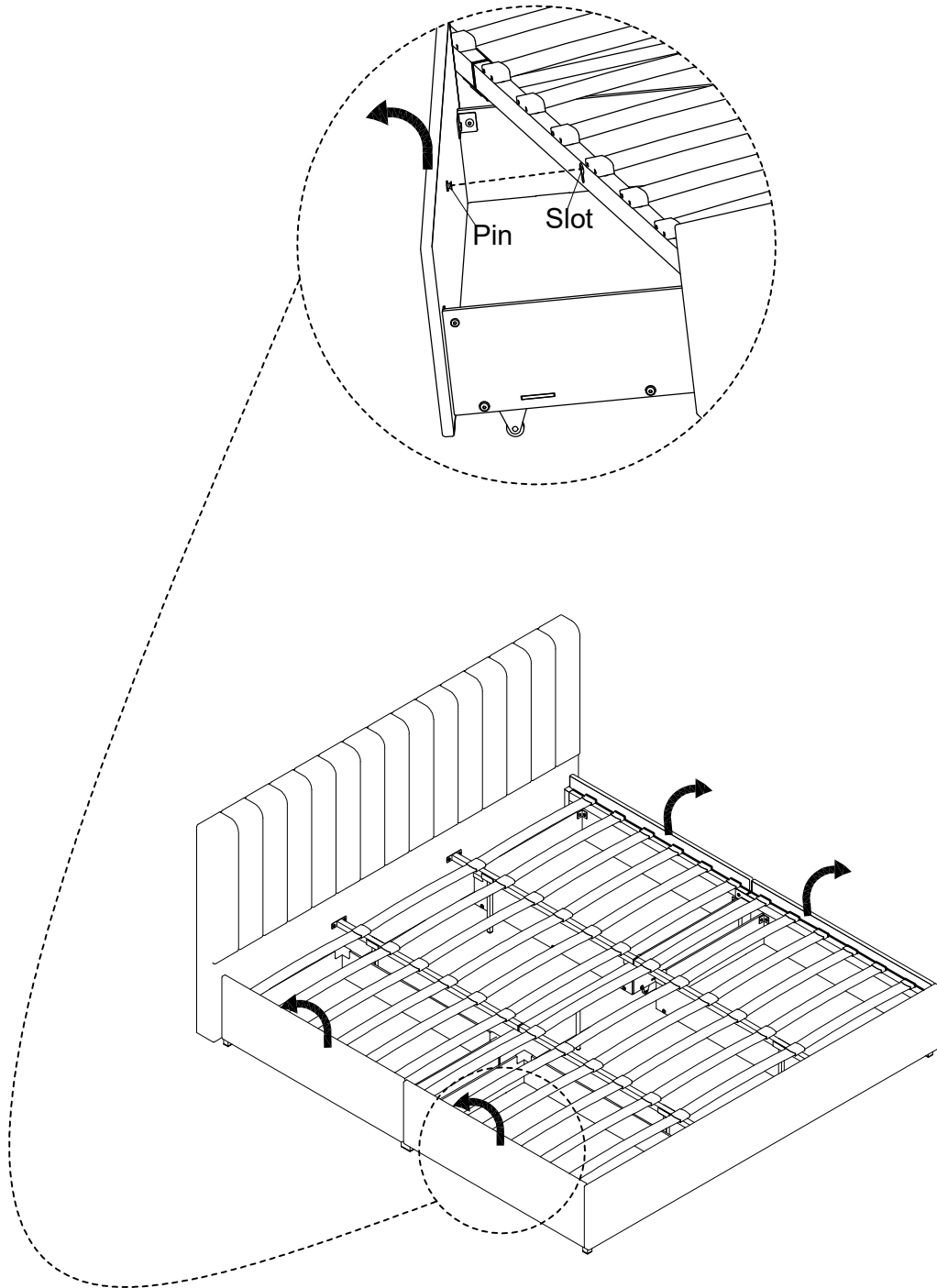
**15**

Align drawers with the bed frame and push them into the bed. Lock drawers by slightly lifting drawers and insert the Pin that the head of Bolt (AA) into the Slot.



16

When pull out the drawers, lift the drawers first in order to make the Pins released from the Slot freely, then pull the drawers toward outside.
DO NOT PULL OUT THE DRAWERS DIRECTLY.



Cleaning & Care

Treat surface with care. Surface is resistant to scratches but is not scratch resistant. Clean surfaces with a dry or damp soft cloth. Do not use abrasive cleaners. Hardware may loosen over time. Periodically check that all connections are tight.