

Your Peace of Mind is Our Top Priority®

FM2369

0512

Supersedes

0811

Product information presented here reflects conditions at time of publication. Consult factory regarding discrepancies or inconsistencies.



PUMP COMPANY

Zoeller Family of Water Solutions™

MAIL TO: P.O. BOX 16347 • Louisville, KY 40256-0347
SHIP TO: 3649 Cane Run Road • Louisville, KY 40211-1961
 (502) 778-2731 • 1 (800) 928-PUMP • FAX (502) 774-3624

visit our web site:
www.zoeller.com

Patent No. 7,203,976
 Other Patents Pending

MODEL NO. _____
DATE CODE: _____
DATE INSTALLED: _____

**QWIK JON® ULTIMA 202 SYSTEMS
 INSTALLATION INSTRUCTIONS
 PREINSTALLATION CHECKLIST**

1. Inspect all materials. Occasionally, products are damaged during shipment. If the unit is damaged, contact your dealer before using. **Do Not** remove the test plugs from the pump.
2. Carefully read all the literature provided to familiarize yourself with specific details regarding installation and use before attempting the installation. These materials should be retained for future reference.

 <div style="border: 1px solid black; padding: 5px; display: inline-block;">WARNING</div> SEE BELOW FOR LIST OF WARNINGS	<div style="border: 1px solid black; padding: 5px; display: inline-block;">CAUTION</div> SEE BELOW FOR LIST OF CAUTIONS
---	---

1. **To help reduce the risk of electrical shock**, a properly grounded receptacle or control box of grounding type must be installed and protected by a ground fault circuit interrupter (GFCI) in accordance with the National Electrical Code and applicable local codes. **Never remove ground pin from plug.**
2. Make certain that the ground fault interrupter protected receptacle is within reach of the pump's power supply cord. **DO NOT USE AN EXTENSION CORD.** Extension cords that are too long or too light do not deliver sufficient voltage to the pump motor. But more important, they could present a safety hazard if the insulation were to become damaged or the connection end were to fall into a damp or wet area.
3. **Make sure the pump's electrical supply circuit is equipped with fuses or circuit breakers of proper capacity.** A separate branch circuit, sized according to the National Electrical Code for the current shown on the pump name plate is recommended (see Note 3).
4. **TESTING FOR GROUND.** As a safety measure, each electrical outlet should be checked for ground using an Underwriters Laboratory Listed circuit analyzer which will indicate if the power, neutral and ground wires are correctly connected to your outlet. If they are not, call a qualified licensed electrician.
5. **FOR YOUR PROTECTION ALWAYS DISCONNECT PUMP FROM ITS POWER SOURCE BEFORE HANDLING. If pump is wired direct, de-energize the circuit at the control box.** Grounded pumps are supplied with a 3-prong grounded plug to help protect you against the possibility of electrical shock. **DO NOT UNDER ANY CIRCUMSTANCES REMOVE THE GROUND PIN.** To reduce the risk of electrical shock, a properly grounded receptacle of grounding type must be installed and protected by a ground fault circuit interrupter (GFCI) in accordance with National Electrical Code and applicable local codes.
6. Installation and checking of electrical circuits and hardware should only be performed by a qualified licensed electrician.
7. According to the state of California (Prop 65), this product contains chemicals known to the state of California to cause cancer and birth defects or other reproductive harm.

1. This unit is not designed to handle any material other than human waste and toilet paper. The following list includes, but is not limited to, items that should **not** be used with this system: Feminine sanitary products, condoms, cotton balls and swabs, baby wipes, paper towels, etc.
2. Check to be sure your power source is adequate to handle the amperage requirements of the motor as indicated on the pump or unit I.D. tag.
3. All plumbing (discharge and vent lines) must be installed to meet local codes. **Unit must be vented. Do not use an automatic plumbing vent device. Toilet will not flush.**
4. Maximum operating temperature for model 202 must not exceed 130°F (54°C).
5. Do not use cleaning products containing bleach in the toilet tank, toilet or attached fixtures as they will degrade the pump seals.



NOTES

 SEE BELOW FOR LIST OF NOTES

1. Repair and service should be performed by an Authorized Service Station only. (Consult Factory.)
2. NOTE: Recommended for installations up to 20' total dynamic head. Consult Factory if installation is above 15' vertical height in 1" pipe. Mini-Grinder Pump is designed for use in Qwik Jon® Ultima units only. It is not designed for use in any other application.
3. Mini-grinder pump is rated for 115V, 60 Hz, 7 Amps, .5 HP.
4. NOTE: Pumps with the "UL" mark and pumps with the "US" mark are tested to UL Standard UL778. CSA Certified pumps are certified to CSA Standard C22.2 No. 108. Qwik Jon® Ultima units only. It is not designed for use in any other application.
5. Model 202 toilet utilizes 1.6 gallons per flush.
6. All fixtures connecting to the system must be on the same floor level.

REFER TO WARRANTY ON PAGE 2.

P/N 018507

Limited Warranty

Manufacturer warrants, to the purchaser and subsequent owner during the warranty period, every new product to be free from defects in material and workmanship under normal use and service, when properly used and maintained, for a period of one year from date of purchase by the end user, or 18 months from date of original manufacture of the product, whichever comes first. Parts that fail within the warranty period, one year from date of purchase by the end user, or 18 months from the date of original manufacture of the product, whichever comes first, that inspections determine to be defective in material or workmanship, will be repaired, replaced or remanufactured at Manufacturer's option, provided however, that by so doing we will not be obligated to replace an entire assembly, the entire mechanism or the complete unit. No allowance will be made for shipping charges, damages, labor or other charges that may occur due to product failure, repair or replacement.

This warranty does not apply to and there shall be no warranty for any material or product that has been disassembled without prior approval of Manufacturer, subjected to misuse, misapplication, neglect, alteration, accident or act of God; that has not been installed, operated or maintained in accordance with Manufacturer's installation instructions; that has been exposed to outside substances including but not limited to the following: sand, gravel, cement, mud, tar, hydrocarbons, hydrocarbon derivatives (oil, gasoline, solvents, etc.), or other abrasive or corrosive substances, wash towels or feminine sanitary products,

etc. in all pumping applications. The warranty set out in the paragraph above is in lieu of all other warranties expressed or implied; and we do not authorize any representative or other person to assume for us any other liability in connection with our products.

Contact Manufacturer at, 3649 Cane Run Road, Louisville, Kentucky 40211, Attention: Customer Service Department to obtain any needed repair or replacement of part(s) or additional information pertaining to our warranty.

MANUFACTURER EXPRESSLY DISCLAIMS LIABILITY FOR SPECIAL, CONSEQUENTIAL OR INCIDENTAL DAMAGES OR BREACH OF EXPRESSED OR IMPLIED WARRANTY; AND ANY IMPLIED WARRANTY OF FITNESS FOR A PARTICULAR PURPOSE AND OF MERCHANTABILITY SHALL BE LIMITED TO THE DURATION OF THE EXPRESSED WARRANTY.

Some states do not allow limitations on the duration of an implied warranty, so the above limitation may not apply to you. Some states do not allow the exclusion or limitation of incidental or consequential damages, so the above limitation or exclusion may not apply to you.

This warranty gives you specific legal rights and you may also have other rights which vary from state to state.

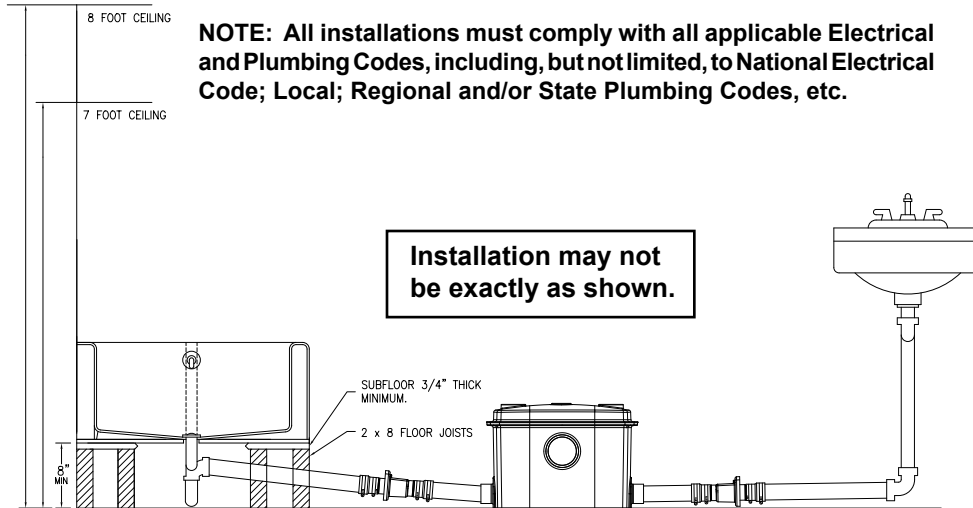
Helpful Hints For Easy Installation

1. Read all instructions before beginning installation.
2. Be sure the floor is level within 1/8".
3. Install vent pipe seal with flange side of seal on outside of lid.
4. Use soapy water to lubricate all seals to aid installation.
5. Install rubber coupling/union in vent line to aid disassembly.
6. Do not over torque toilet mounting screws.
7. Do not use an automatic plumbing vent device.
8. Obtain model number and date code, and record information in the space provided on the front of this manual. Refer to this information when calling Factory.

Do's And Don't's For Installing A Unit

1. DO read all installation material with the unit.
2. DO inspect unit for any visible damage caused by shipping. Contact dealer if unit appears to be damaged.
3. DO clean all visible debris from the unit.
4. DO always disconnect pump from power source before handling. DO always connect to a separately protected and properly grounded ground fault protected circuit. DO NOT ever cut, splice or damage power cord. DO NOT carry or lift pump by its power cord. DO NOT use an extension cord.
5. DO install a ball or gate valve and a union in the discharge line downstream of the check valve.
6. DO test pump immediately after installation to be sure that the system is working properly.
7. DO review all applicable local and national codes and verify that the installation conforms to each of them.
8. We DO NOT recommend this product be connected to utilities other than those found in a normal bathroom application. Washing machines and dishwashers are examples of equipment that we Do Not recommend.
9. DO inspect and test system for proper operations at least every 3 months.

Typical Piping Configurations

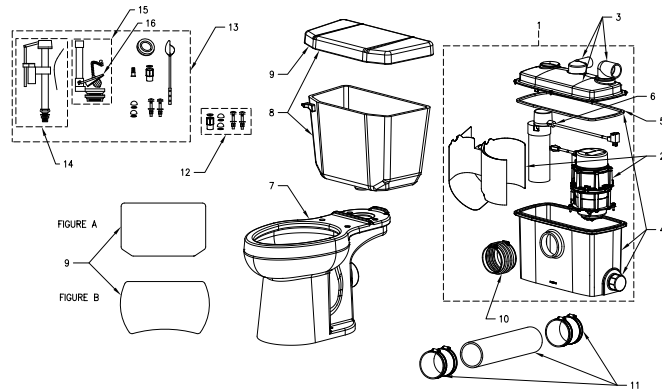


NOTE: All installations must comply with all applicable Electrical and Plumbing Codes, including, but not limited to, National Electrical Code; Local; Regional and/or State Plumbing Codes, etc.

Installation may not be exactly as shown.

SK2587

Service Parts



SK2605

QWIK JON ULTIMA		202-A STANDARD	202-A PREMIUM
		10/06 thru Current	03/12 thru Current
Item	Description	Part No.	
1	Qwik Jon® Ultima Model 202 Sewage Removal System without Toilet	202-1000	202-1008
2	N202 replacement pump with discharge pipe	017374	152165
3	Tank cover with discharge fittings	017373	017373
4	Tank	018500	018500
5	Seal	017350	017350
6	Float switch assembly	018501	018501
7	Toilet bowl	202-2000	202-2000
8	Toilet tank with cover (left handed)	202-3000	202-3000
	Toilet tank with cover (right handed)	202-3001	202-3001
9	Toilet tank cover (Figure A)	018504	N/A
	Toilet tank cover (Figure B)	150012	150012
10	Rubber coupling with hose clamps	018505	018505
11	Extension kit for behind the wall installation	10-2123	10-2123
12	Tank to Toilet Hardware	017360	017360
13	Flush valve replacement kit	150658	150658
14	Fill valve assembly with tube	150823	150823
15	Flush valve assembly	150824	150824
16	Flapper with clip and chain	150825	150825

Condition	Possible Cause	Remedy
A. PUMP WILL NOT START OR RUN.	Low voltage, blown fuse, open circuit.	Have a qualified electrician check fuse and circuit.
	Impeller bound.	Contact a Zoeller Service Station.
	Motor or wiring shorted.	
	Debris on float switch.	Remove debris
B. PUMP STARTS TOO SOON.	Float "ON" point is adjusted too low.	Raise the float stops, make sure the float is between the two stops.
C. WATER LEVEL EXCESSIVE BEFORE PUMP TURNS ON.	Float "ON" point adjusted to high.	Lower the upper float stop.
D. PUMP WILL NOT SHUT OFF OR RUNS TOO LONG BEFORE WATER IS PUMPED.	Pump not plugged into piggyback float switch receptacle.	Ensure pump is not plugged directly into the outlet. Plug pump into piggyback float switch receptacle.
	Debris under float.	Remove debris from around float.
	Faulty float switch.	Contact a Zoeller Service Station.
	Float "Off" point adjusted too low.	Raise the lower float stop.
	Pump is air locked.	Make sure vent hole in discharge pipe is clear.
	Water level too low.	Raise the lower float stop.
	Waste material has accumulated blocking flow of material.	Hold flush handle down on toilet for 15 seconds. If unit will not clear, unplug and wait 30 minutes. Plug unit back in and repeat. If unit still will not turn off, it will need to be opened and the debris relocated.
E. PUMPOPERATESBUTDELIVERS LITTLE OR NO WATER.	Debris around intake.	Clean area around intake.
	Blockage in discharge pipe.	Remove pipe and flush out debris.
	Low or incorrect voltage.	Have a qualified electrician check house wiring.
	Damaged Impeller.	Contact a Zoeller Service Station.
	Incorrect float adjustment.	Contact Technical Service Department.
	Pump is air locked.	Make sure vent hole in discharge pipe is clear.
	Vertical lift too high.	Change discharge piping or contact Technical Service Department.



▲ WARNING Before servicing a pump, always shut off the main power breaker and then unplug the pump - making sure you are not standing in water and are wearing insulated protective sole shoes. Under flooded conditions, contact your local electric company or a qualified licensed electrician for disconnecting electrical service prior to pump removal.

▲ WARNING Submersible pumps contain oil which become pressured and hot under operating conditions - **allow 2½ hours after disconnecting before attempting service.**

If the above checklist does not solve the problem, consult Zoeller Technical Service Department 1-(800) 928-PUMP - **Do not** attempt to service or otherwise disassemble pump.

▲ CAUTION Do not dispose of feminine sanitary products, disposable diapers, dish rags, etc. in the QWIK JON® ULTIMA . They may jam the pump or other plumbing lines and cause malfunction.

CARE OF FINISH: Soap and water is all that is recommended for cleaning the outside of the tank. Other cleaning products may cause discoloration and scratching.

Qwik Jon® Ultima Qwik Reference Guide

STEP 1

Location Selection

Plan your new installation carefully.

Floor: The floor should be structurally sound and level within 1/8". If the floor is not level, use hydraulic cement or similar material to level the floor.

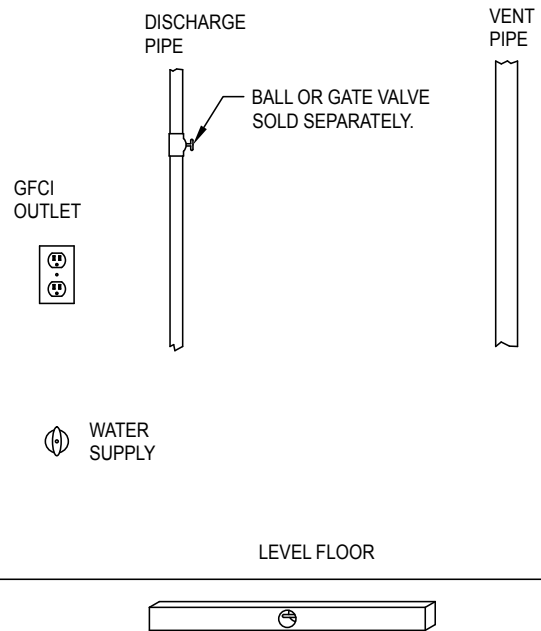
Water: A water supply will be needed to operate the toilet. Usually a 1/2" line with a shut-off valve is sufficient.

Electrical: A 115 volt GFCI receptacle will be needed to supply electrical power to the pump.

Sewage: Access to a sewage line is required. The Qwik Jon® Ultima requires a 1" (or 3/4" if your codes permit) sewage discharge line to connect to an existing sewage line. A ball or gate valve should be installed in the discharge line.

Vent: Access to a vent pipe is required. The use of a mechanical vent system is NOT recommended as the toilet will not flush.

NOTE: If a built-in installation is to be used, locate the pump unit in an area that will allow access to the pump and switch.



SK2588

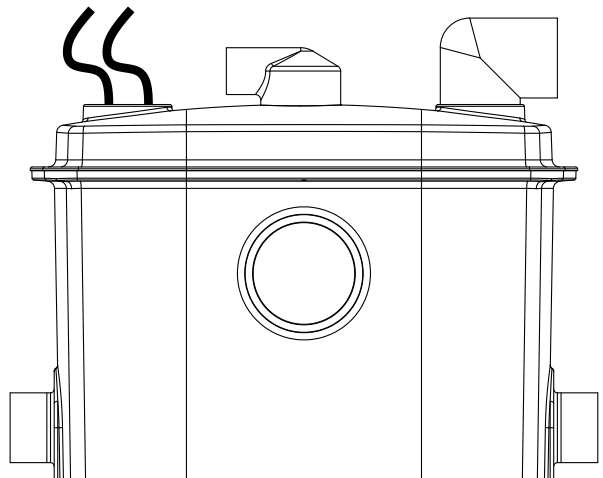
STEP 2

Leveling of Pump Unit

CAUTION Do not use wooden shims to level the pump unit!

CAUTION Ensure that nails, screws or other sharp objects do not puncture the pump unit!

Level the pump unit to within 1/8" using hydraulic cement or similar material.



SK2589

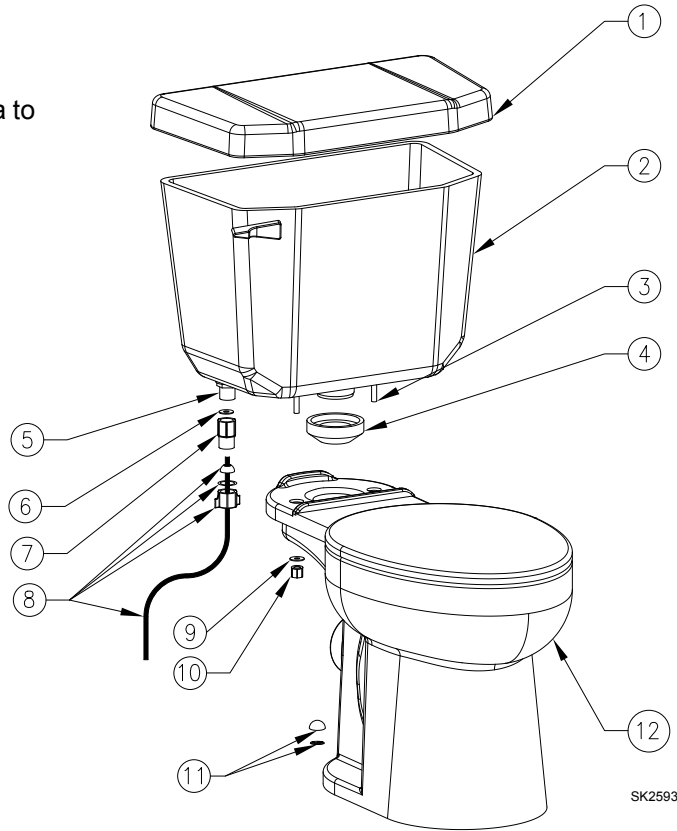
STEP 3

Toilet Assembly

NOTES:

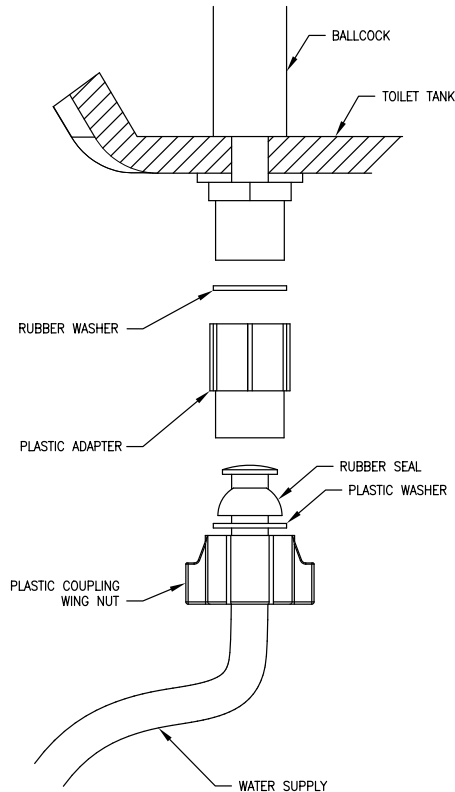
- a) Do not use pipe dope on any plastic or rubber parts.
- b) Be careful when tightening bolts or nuts against china to avoid cracking the china.

Item	Description
1	Toilet tank cover
2	Toilet tank
3	Toilet tank to toilet bowl gasket bolts
4	Rubber toilet tank to toilet bowl gasket
5	Water supply connection
6	Water supply line rubber seal
7	Water supply line adapter
8	Water supply line (not included)
9	Plastic flat washer
10	Plastic nut
11	Bolt cover
12	Toilet bowl

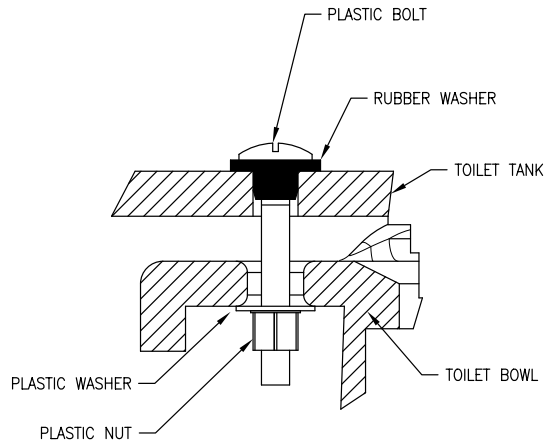


SK2593

WATER SUPPLY HOOK UP DETAIL



TANK TO BOWL DETAIL



SK2594

Set the black rubber washer.

Push down on the top of the tank one side at a time to tighten the nuts under the bowl. Alternate tightening nuts making sure bowl is level.

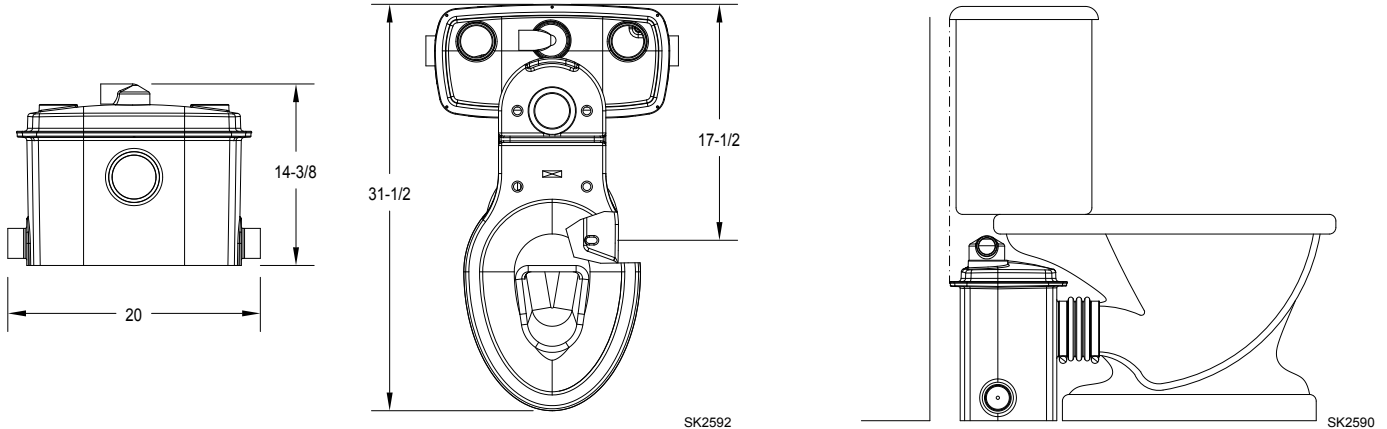
CAUTION DONOTOVERTIGHTEN. Ballcock shank may split and void the warranty.

CAUTION DO NOT OVERTIGHTEN or china may crack.

STEP 4

Rough-in (stand alone installation)

- 1) Position the pump unit a minimum of 1/8" from the wall with the inlet facing forward. Attach the bellows to the inlet using the worm drive clamp provided.
- 2) Place the toilet in front of pump unit aligning the discharge of the toilet with the inlet of the pump unit. Make sure that the bellows will bridge the gap adequately for final installation. The toilet tank should be a minimum of 1/2" from the wall.
- 3) Lightly mark the locations of the pump unit, toilet and closet bolt locations on the floor. Lightly mark the wall with the height of the pump unit and the bottom and sides of the toilet tank to ensure against interference from pipe runs later.
- 4) Remove the toilet from the pump unit and set it aside.

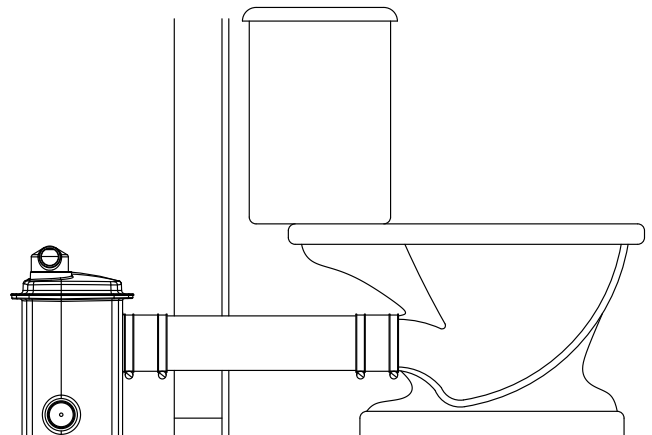


STEP 5

Rough-in (behind the wall installation)

- 1) Installing the grinder unit behind a wall will require an extension kit (P/N 10-2123) sold separately.
- 2) Place the toilet assembly a minimum of 1/2" from the wall and mark the closet bolt locations on the floor.
- 3) Measure the appropriate length of 3 1/2" Schedule 40 PVC pipe provided with the extension kit and cut it to length. See sketch at right.
- 4) Set toilet aside.

CAUTION Toilet assembly is top heavy. Take special precautions to ensure that toilet does not tip over and break.



SK2634

STEP 6

Piping

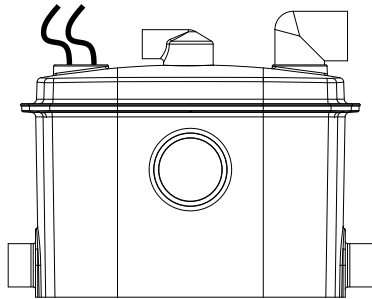
- 1) Cut and dry-fit the pipe and fittings as required for 1" diameter discharge pipe (may be reduced to 3/4" diameter if codes permit).
- 2) While dry-fitting the discharge pipe, position and mark the location of the pump unit discharge fitting.
- 3) Cut and dry-fit 1-1/2" vent pipe as required to ensure that the vent pipe does not interfere with other components. Make the connection to the pump unit with the provided street elbow. A 2" x 1" 90° discharge fitting and a 1-1/2" street elbow vent fitting have been provided for space constraints in a stand alone configuration. However, these are not required for a built in installation. It will reduce Total Dynamic Head on the system and simplify assembly on a built in installation to utilize straight pipe. For the discharge pipe, use a 2" straight coupling and reduce it down to 1".
- 4) Temporarily set the toilet in place to check that there is no piping interference. Remove the toilet and set it aside.
- 5) Clean, prime and solvent weld the discharge piping and pump unit discharge fitting.

CAUTION When applying solvent weld to discharge fitting, ensure that none gets into the check valve assembly. Pay close attention to the proper alignment of the discharge fitting previously marked above.

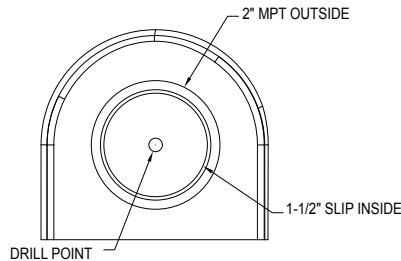
- 6) Clean and solvent weld vent piping as required for proper venting.

CAUTION Proper venting is required for the toilet to flush. Do not use a mechanical type vent.

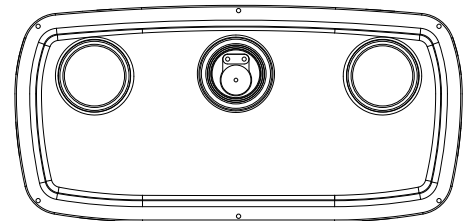
Note: Adding other bathroom fixtures - The Qwik Jon® Ultima is designed to accept additional bathroom fixtures utilizing the two side inlets. These inlets can be attached via the 2" MPT (outside diameter) or the 1-1/2" slip (inside diameter). These inlets must have the inner portion drilled out using a 1-3/4" hole saw. This is to ensure there is no leakage problems from inlets not in use. When utilizing side inlets, install a check valve on the incoming line.



SK2589



SK2586

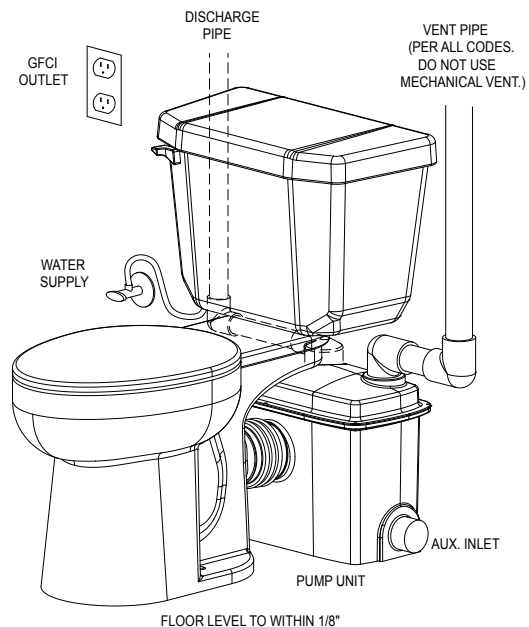


SK2591

STEP 7

Toilet Installation

- 1) Install the closet bolts at the points marked earlier.
- 2) Place the toilet assembly over the closet bolts. Install the anchoring hardware and tighten in an alternating pattern. Check for level and shim as required. Be careful when tightening bolts or nuts against china to avoid cracking the china.
- 3) Install rubber bellows onto the toilet discharge and grinder tank hub and secure with the worm clamps provided for stand alone installation. See sketch in Step 4. For built-in installation, install the rubber couplings to both the grinder tank and the toilet discharge and secure to extension pipe with worm clamps provided. See sketch in Step 5.
- 4) Install the water supply line from the existing water shut-off valve to the toilet water supply connection.
- 5) Open the water supply valve and check for leaks. The toilet tank should fill to the proper level. Adjust if required.
- 6) Plug the pump's power cord into the piggyback switch receptacle and then plug the piggyback switch into the GFCI outlet.
- 7) Flush the toilet and watch for proper operation. Listen for the pump to start. The pump unit requires proper venting in order for toilet to flush. Check for leaks.
- 8) Repeat flush cycles to assure proper operation.
- 9) Install an elongated toilet seat (supplied by others).
- 10) Install the lid on the toilet tank.



SK2595



PUMP COMPANY

Zoeller Family of Water Solutions™

DIRECCIÓN POSTAL: P.O. BOX 16347 • Louisville, KY 40256-0347

DIRECCIÓN PARA ENVÍOS: 3649 Cane Run Road • Louisville, KY 40211-1961
(502) 778-2731 • FAX (502) 774-3624

Visite nuestra página web:

www.zoeller.com

La información sobre los productos que aquí se presenta refleja las condiciones al momento de su publicación. Consulte con el fabricante si se presenta cualquier discrepancia o inconsistencia.

Patente No. 7,203,976
Otras patentes en trámite

No. DE MODELO: _____
CÓDIGO DE FECHA: _____
FECHA DE INSTALACIÓN: _____

SISTEMAS QWIK JON® ULTIMA 202 INSTRUCCIONES DE INSTALACIÓN LISTA DE CONTROL PREVIA A LA INSTALACIÓN

1. Revise todos los materiales. En ocasiones los productos se dañan durante el embarque. Si la unidad está dañada, comuníquese con el distribuidor antes de usarla. **No** quite los conectores de prueba de la bomba.
2. Antes de iniciar la instalación, lea cuidadosamente toda la literatura que se le entregó para familiarizarse con los detalles específicos de instalación y uso. Conserve estos materiales para futuras referencias.

 <div style="border: 1px solid black; padding: 5px; display: inline-block;">ADVERTENCIA</div> <p>LEA CUIDADOSAMENTE ESTA LISTA DE ADVERTENCIAS</p>	 <div style="border: 1px solid black; padding: 5px; display: inline-block;">PRECAUCIÓN</div> <p>LEA CUIDADOSAMENTE ESTA LISTA DE PRECAUCIONES</p>
<ol style="list-style-type: none"> 1. Para ayudar a reducir el riesgo de electrocución debe instalarse un receptáculo o caja de controles con conexión a tierra, mismo(a) que deberá protegerse mediante un interruptor de circuito por falla a tierra (GFCI, por sus siglas en inglés) de conformidad con el Código Eléctrico Nacional de los Estados Unidos y los códigos locales aplicables. No quite la clavija de conexión a tierra del enchufe. 2. Asegúrese de que el receptáculo protector del interruptor por falla a tierra esté dentro del rango de alcance del cable de alimentación de la bomba. NO USE EXTENSIONES. Las extensiones muy largas o muy ligeras no suministran suficiente voltaje al motor de la bomba. Pero sobre todo, podrían constituir un peligro a la seguridad si el aislamiento se dañara o si el extremo de la conexión cayera dentro de una zona mojada o húmeda. 3. Asegúrese de que el circuito de alimentación eléctrica de la bomba esté equipado con fusibles o disyuntores con capacidad adecuada. Se recomienda un circuito derivado del tamaño que se indica en el Código Eléctrico Nacional de los Estados Unidos para la corriente detallada en la placa de características de la bomba (ver Nota 3). 4. PRUEBE LA TIERRA. Como medida de seguridad, la tierra de todos los tomacorrientes debe revisarse con ayuda de un multímetro aprobado por la Underwriters Laboratory que indique si el cable de alimentación, el cable neutral y el cable de la tierra están debidamente conectados al tomacorriente. Si no lo están, llame a un electricista calificado. 5. POR PROTECCIÓN, SIEMPRE DESCONECTE LA BOMBA Y EL PANEL DE LA FUENTE DE PODER ANTES DE MANIPULAR EL EQUIPO. Si el cableado de la bomba es directo, desenergice el circuito desde la caja de controles. Las bombas aterrizadas cuentan con un enchufe aterrizado de tres clavijas, a fin de ayudarle a protegerse contra la posibilidad de que ocurra un choque eléctrico. POR NINGÚN MOTIVO DEBERÁ QUITARLE LA CLAVIJA DE CONEXIÓN A TIERRA AL ENCHUFE. Para ayudar a reducir el riesgo de electrocución debe instalarse un receptáculo con conexión a tierra, mismo(a) que deberá protegerse mediante un interruptor de circuito por falla a tierra (GFCI, por sus siglas en inglés) de conformidad con el Código Eléctrico Nacional de los Estados Unidos y los códigos locales aplicables. 6. La instalación y revisión de los circuitos eléctricos y aditamentos deberá hacerla un electricista debidamente calificado y certificado. 7. De conformidad con la Proposición 65 del estado de California, este producto contiene sustancias químicas que, a saber del estado de California, producen cáncer y defectos congénitos o algún otro tipo de daños reproductivos. 	<ol style="list-style-type: none"> 1. Esta unidad no está diseñada para manejar materiales que no sean desechos humanos o papel sanitario. La siguiente lista incluye, de manera enunciativa mas no limitativa, artículos que no deberán usarse en este sistema: Productos para la higiene femenina, condones, torundas e hisopos de algodón, toallitas húmedas para bebé, toallas de papel, etc. 2. Asegúrese de que la fuente de poder tenga capacidad para los requerimientos de amperaje del motor, según se indica en la placa de características de la bomba o unidad. 3. Toda la tubería (líneas de descarga y ventilación) debe instalarse de conformidad con los códigos locales. La unidad debe estar ventilada. No use dispositivos automáticos de ventilación para tuberías. Estos impiden el funcionamiento del inodoro. 4. La temperatura máxima de funcionamiento del modelo 202 no deberá exceder los 130°F (54°C). 5. No use productos que contengan cloro para limpiar el tanque del inodoro, el inodoro ni sus aditamentos, ya que desgastan los sellos de la bomba.
 <div style="border: 1px solid black; padding: 5px; display: inline-block;">NOTAS</div> <p>LEA CUIDADOSAMENTE LAS SIGUIENTES NOTAS</p>	
<ol style="list-style-type: none"> 1. La reparación y el servicio deberán hacerse únicamente a través de una estación de servicio autorizada por Zoeller Pump Company. (Consulte al fabricante.) 2. NOTA: Se recomienda para instalaciones con una carga dinámica total de hasta 20'. Consulte al fabricante si la instalación tiene una altura vertical de más de 15' (4.6 m) en una tubería de 1" (2.5 cm). La minibomba trituradora está diseñada para usarse únicamente en combinación con las unidades Qwik Jon® Ultima. No está diseñada para usarse en ninguna otra aplicación. 3. La minibomba trituradora está certificada para especificaciones de 115V, 60 Hz, 7 Amps, 0.5 HP. 4. NOTA: Las bombas que ostentan los símbolos "UL" y "US" están probadas de conformidad con la norma UL778 de la UL. Las bombas certificadas por la CSA están probadas de conformidad con la norma C22.2 No.108. de la CSA. Solo aplica para las unidades Qwik Jon® Ultima. No están diseñadas para usarse en ninguna otra aplicación. 5. El inodoro modelo 202 consume 1.6 galones (6 L) de agua cada vez que se acciona. 6. Todos los aditamentos conectados al sistema deberán estar al mismo nivel del suelo. 	

P/N 018507

CONSULTE LA GARANTÍA EN LA PÁGINA 2

Garantía limitada

Durante el periodo de garantía, el fabricante garantiza al comprador y propietario subsiguiente, que todos los productos nuevos están libres de defectos en cuanto a sus materiales y manufactura bajo condiciones de uso y servicio normales, siempre y cuando se usen y mantengan adecuadamente, durante un periodo de un año a partir de la fecha en que los haya adquirido el usuario final, o bien, 18 meses a partir de la fecha de fabricación original del producto, lo que suceda primero. Todas las piezas que dejen de funcionar durante el periodo de garantía (un año a partir de la fecha en que los haya adquirido el usuario final, o bien, 18 meses a partir de la fecha de fabricación original del producto, lo que suceda primero) y que mediante una inspección se determine que son defectuosas en cuanto a sus materiales o manufactura, se repararán, reemplazarán o volverán a fabricar a opción del fabricante, siempre y cuando esto no implique ninguna obligación de reemplazar un montaje entero, el mecanismo entero o la unidad completa. No se hará ningún reembolso por gastos de envío, daños, mano de obra u otros cargos que pudieran resultar de la falla, reparación o reemplazo del producto.

No se otorgará garantía alguna por ningún material o producto que se haya desarmado sin la aprobación previa del fabricante, o que haya sido sujeto a algún uso indebido, aplicación indebida, negligencia, alteración, accidente o acto fortuito; que no se haya instalado, usado o mantenido de acuerdo a las instrucciones de instalación proporcionadas por el fabricante; que se haya expuesto a sustancias ajenas, incluyendo, de manera enunciativa mas no limitativa, lo siguiente: arena, grava, cemento, lodo, brea, hidrocarburos, derivados de hidrocarburos (aceite, gasolina, solventes, etc.) u otras sustancias abrasivas o corrosivas,

toallas húmedas o productos de higiene femenina, etc., en todas las aplicaciones de bombeo. La garantía expuesta en el párrafo anterior sustituye a todas las demás garantías expresas o implícitas y no autorizamos a ningún representante u otra persona para que asuma ninguna otra responsabilidad a nuestro nombre y en conexión con nuestros productos.

Envíe su correspondencia dirigida al fabricante a la siguiente dirección: 3649 Cane Run Road, Louisville, Kentucky 40211, Atención: Departamento de Atención a Clientes, para obtener la(s) reparación(es) o refacción(es) necesaria(s) o información adicional sobre la garantía.

EL FABRICANTE SE DESLINDA EXPRESAMENTE DE TODA RESPONSABILIDAD POR DAÑOS ESPECIALES, EMERGENTES O INCIDENTALES O POR INCUMPLIMIENTO DE LA GARANTÍA EXPRESA O IMPLÍCITA. ASIMISMO, TODA GARANTÍA IMPLÍCITA DE COMERCIABILIDAD O APTITUD PARA UN FIN DETERMINADO SE LIMITARÁ A LA DURACIÓN DE LA GARANTÍA EXPRESA.

Algunos estados no permiten que se limite la vigencia de una garantía implícita por lo que es posible que la limitación anterior no le corresponda. Algunos estados no permiten que se excluyan o limiten los daños incidentales o emergentes, por lo que es posible que la limitación o exclusión anterior no le corresponda.

Esta garantía le otorga derechos legales específicos y es posible que le correspondan otros derechos que varían de un estado a otro.

Sugerencias útiles para facilitar la instalación

1. Lea todas las instrucciones antes de iniciar la instalación.
2. Asegúrese de que el piso esté nivelado y no tenga una pendiente de más de 1/8".
3. Instale el sello del tubo de ventilación con la brida hacia afuera de la tapa.
4. Use agua jabonosa para lubricar todos los sellos y facilitar su instalación.
5. Instale una conexión o unión de hule en la línea de ventilación para facilitar su desmontaje.
6. No apriete demasiado los tornillos de montaje del inodoro.
7. No use dispositivos automáticos de ventilación para tuberías.
8. Anote el número de modelo y el código de fecha en el espacio dispuesto para este fin en la carátula de este manual. Proporcione esta información cuando se comunique con el fabricante.

Qué hacer o evitar al instalar una unidad

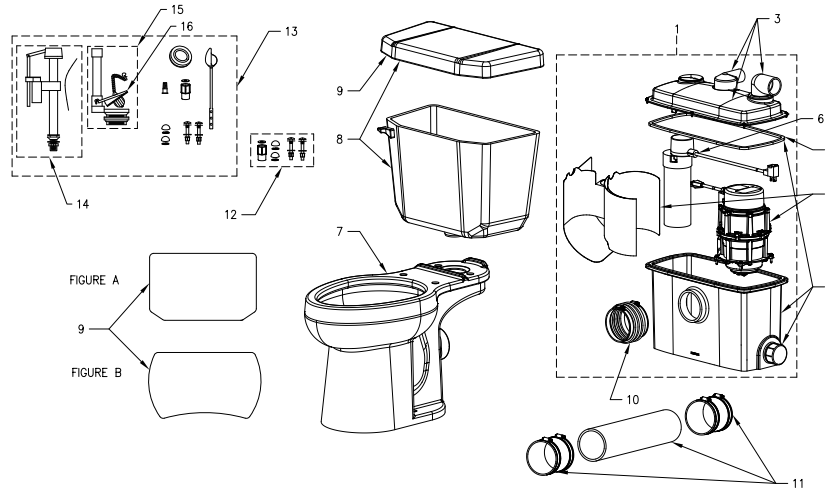
1. LEA todos los materiales de instalación que acompañan la unidad.
2. REVISE la unidad para ver si hay algún signo visible de daños ocasionados durante el embarque. Comuníquese con el proveedor si la unidad parece estar dañada.
3. RETIRE todos los desechos visibles que tenga la unidad.
4. DESCONECTE siempre la bomba de la fuente de poder antes de manipularla. CONÉCTELA siempre a un circuito independiente debidamente aterrizado y protegido mediante un interruptor de circuito por falla a tierra. NO corte, empalme ni dañe nunca el cable de alimentación. NO cargue ni levante la bomba jalándola del cable de alimentación. NO use extensiones.
5. INSTALE una válvula de bola o de compuerta y una unión en la línea de descarga, antes de la válvula de check, en el sentido del flujo descendente.
6. PRUEBE la bomba inmediatamente después de instalarla, para asegurarse de que el sistema funciona adecuadamente.
7. REVISE todos los códigos locales y nacionales aplicables y asegúrese de que la instalación cumpla con todos ellos.
8. NO recomendamos que este producto se conecte a otros servicios distintos a los que se encuentran en una aplicación normal para baños. Las lavadoras y lavavajillas son ejemplos de equipos que NO recomendamos.
9. REVISE y pruebe el debido funcionamiento del sistema por lo menos cada 3 meses.

Configuraciones de plomería típicas

NOTA: Todas las instalaciones deben cumplir con todos los códigos eléctricos y de plomería aplicables, incluyendo de manera enunciativa pero no limitativa, el Código Eléctrico Nacional de los Estados Unidos y los códigos para instalaciones sanitarias regionales, municipales y/o estatales, etc.



Refacciones



Pieza	Descripción	No. de pieza
1	Sistema de remoción de drenaje Qwik Jon® Ultima modelo 202, sin inodoro	202-1000
2	Bomba de reemplazo N202 con tubo de descarga	017374
3	Tapa del tanque con conexiones de salida	017373
4	Tanque	018500
5	Sello	017350
6	Montaje del interruptor de flotador	018501
7	Taza del inodoro	202-2000
8	Tanque del inodoro con cubierta (para diestros)	202-3000
	Tanque del inodoro con cubierta (para zurdos)	202-3001
9	Cubierta del tanque del inodoro (figura A)	018504
	Cubierta del tanque del inodoro (figura B)	150012
10	Conexión de hule con abrazaderas de manguera	018505
11	Kit de extensión para instalación detrás de la pared	10-2123
12	Aditamentos para fijar el tanque al inodoro	017360
13	Kit para reemplazo de la válvula de descarga	150658
14	Montaje de la válvula de llenado con tubo	150823
15	Montaje de la válvula de descarga	150824
16	Sapo con clip y cadena	150825

SK2605

Problema	Causa probable	Solución
A. LA BOMBA NO ENCIENDE O NO FUNCIONA.	Hay bajo voltaje, un fusible quemado o un circuito abierto.	Pídale a un electricista calificado que revise el fusible y el circuito.
	El impulsor está pegado.	Comuníquese con una estación de servicio autorizada por Zoeller.
	Hay un corto circuito en el motor o el cableado.	
	Hay basura encima del interruptor de flotador.	Retire los desechos.
B. LA BOMBA SE ENCIENDE MUY PRONTO.	El punto de "ENCENDIDO" del flotador está ajustado muy abajo.	Coloque los topes del flotador más arriba y asegúrese de que el flotador esté entre los dos topes.
C. LA BOMBA NO SE ENCIENDE SINO HASTA QUE EL NIVEL DEL AGUA ES MUY ELEVADO.	El punto de "ENCENDIDO" del flotador está ajustado muy arriba.	Baje el tope superior del flotador.
D. LA BOMBA NO SE APAGA O FUNCIONA DURANTE MUCHO TIEMPO ANTES DE EMPEZAR A BOMBLEAR AGUA.	La bomba no está conectada al receptáculo del interruptor de flotador integrado.	Revise que la bomba no esté conectada directamente al tomacorriente. Conecte la bomba al receptáculo del interruptor de flotador integrado.
	Hay basura debajo del flotador.	Quite los desechos que haya alrededor del flotador.
	El interruptor de flotador está defectuoso.	Comuníquese con una estación de servicio autorizada por Zoeller.
	El punto de "APAGADO" del flotador está ajustado muy abajo.	Suba el tope inferior del flotador.
	Hay aire atrapado dentro de la bomba.	Verifique que el respiradero del tubo de descarga no esté obstruido.
	El nivel del agua está muy bajo.	Suba el tope inferior del flotador.
	Hay desechos acumulados que están bloqueando el flujo de materiales.	Baje la palanca del inodoro y sosténgala en esa posición durante 15 segundos. Si la unidad no se desatasca, desconéctela y espere 30 minutos. Vuelva a conectar la unidad y repita la operación. Si la unidad no se apaga, tendrá que abrirla y mover los desechos.
E. A BOMBA FUNCIONA PERO PROCESA MUY POCa AGUA O NADA.	Hay desechos alrededor del punto de entrada.	Limpie alrededor del punto de entrada.
	El tubo de descarga está bloqueado.	Quite el tubo y enjuáguelo para eliminar los desechos.
	El voltaje es muy bajo o incorrecto.	Pídale a un electricista calificado que revise el cableado de la casa.
	El impulsor está dañado.	Comuníquese con una estación de servicio autorizada por Zoeller.
	El flotador está mal ajustado.	Comuníquese con el Departamento de Servicio Técnico.
	Hay aire atrapado dentro de la bomba.	Verifique que el respiradero del tubo de descarga no esté obstruido.
	La elevación vertical es excesiva.	Cambie la tubería de descarga o comuníquese con el Departamento de Servicio Técnico.



⚠️ ADVERTENCIA Antes de darle mantenimiento a la bomba, siempre apague el interruptor de energía principal y luego desconecte la bomba. Use calzado con suela protectora aislante y asegúrese de no estar pisando agua. En caso de inundación, comuníquese con la compañía eléctrica local o con un electricista debidamente calificado y autorizado para desconectar el suministro eléctrico antes de sacar la bomba.

⚠️ ADVERTENCIA Las bombas sumergibles contienen aceites que se presurizan y calientan bajo condiciones de operación. **Deje que transcurran 2.5 horas después de la desconexión antes de iniciar el mantenimiento.**

Si esta lista no le ayuda a identificar el problema, comuníquese con el Departamento de Servicio Técnico de Zoeller al teléfono +1 (502) 778-2731. **No intente** reparar ni desensamblar la bomba.

⚠️ PRECAUCIÓN No tire productos de higiene femenina, pañales desechables, trapos de cocina, etc. por el equipo QWIK JON® ULTIMA. Podrían atascar la bomba o las tuberías y provocar desperfectos.

CUIDADO DEL EXTERIOR DE LA UNIDAD: Jabón y agua es lo único que se recomienda para limpiar la parte externa del tanque. Los demás productos de limpieza pueden descolorar y rayar su superficie.

Guía de referencia rápida del sistema Qwik Jon® Ultima

PASO 1

Seleccione la ubicación

Planee su nueva instalación con cuidado.

Piso: La instalación requiere de un piso nivelado de estructura sólida, con una pendiente no mayor a 1/8". Si el piso no está parejo, use cemento hidráulico u otro material similar para nivelarlo.

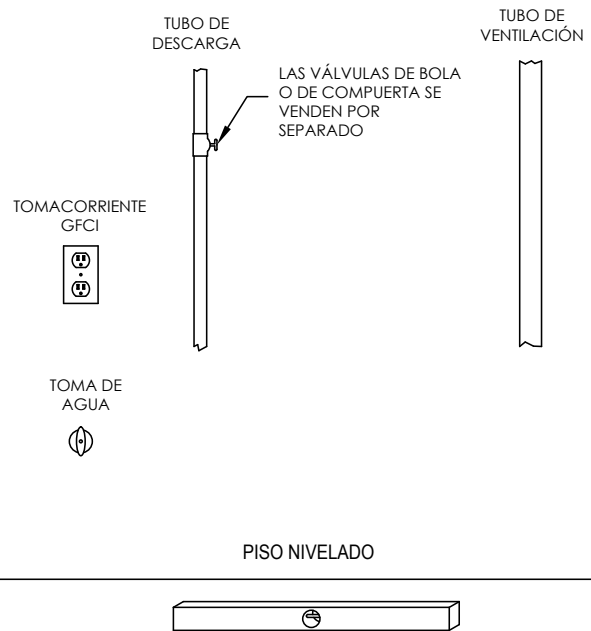
Agua: El inodoro requiere de un suministro de agua para funcionar. Por lo general, una línea de 1/2" con llave de paso es suficiente.

Electricidad: Se necesita un receptáculo con interruptor de circuito por falla a tierra (GFCI) de 115 volts para energizar la bomba.

Drenaje: Se requiere tener acceso a una línea de drenaje. El sistema Qwik Jon® Ultima necesita una línea de descarga de drenaje de 1" (o de 3/4", si los códigos aplicables lo permiten) para conectarse a la tubería del drenaje. Es necesario instalar una válvula de bola o de compuerta en la línea de descarga.

Respiradero: Se requiere tener acceso a un tubo de ventilación. NO se recomienda usar un sistema de ventilación mecánico porque impide el funcionamiento del inodoro.

NOTA: Si va a emplear una instalación oculta, coloque la bomba en un lugar donde sea fácil acceder a la bomba y el interruptor.



SK2588

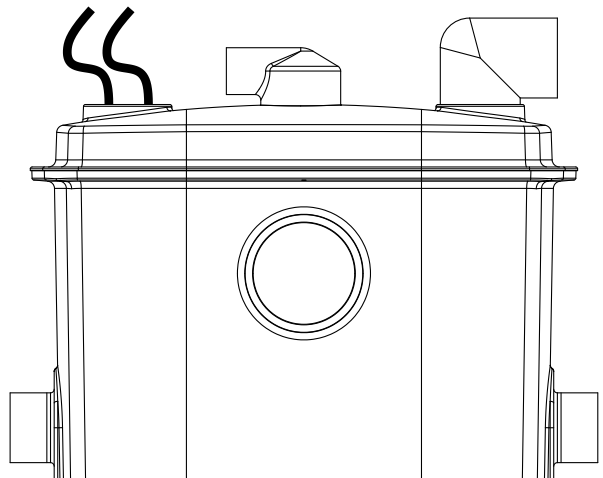
PASO 2

Nivele la bomba

⚠PRECAUCIÓN ¡No use calzas de madera para nivelar la bomba!

⚠PRECAUCIÓN ¡Asegúrese de que los clavos, tornillos u otros objetos punzocortantes no perforen la unidad!

Nivele la bomba con una pendiente no mayor a 1/8" con ayuda de cemento hidráulico o algún otro material similar.



SK2589

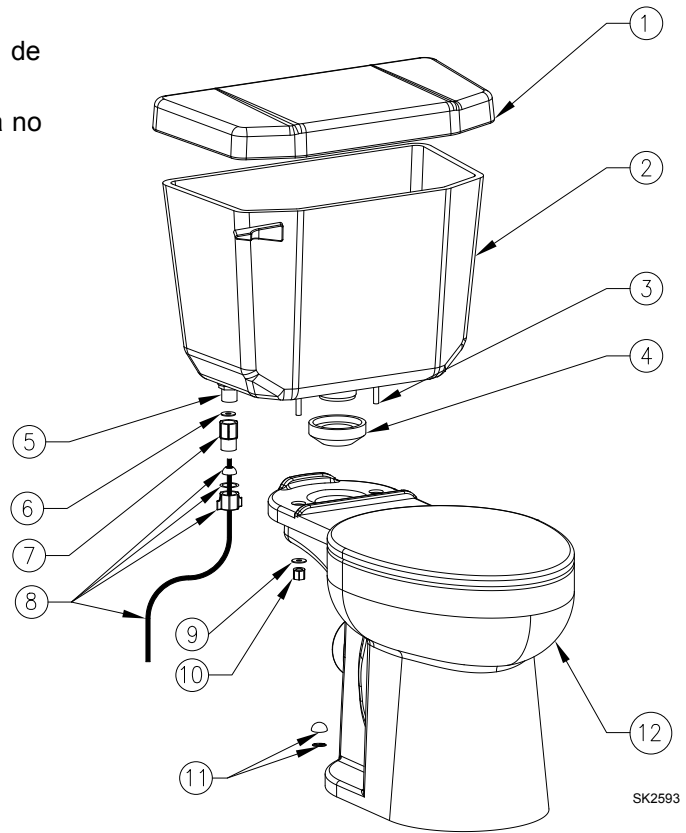
PASO 3

Arme el inodoro

NOTAS:

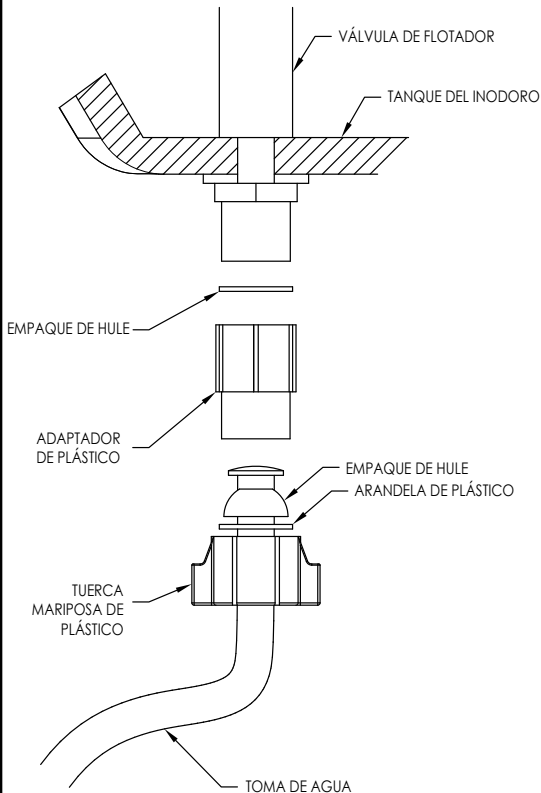
- a) No use lubricante para tuberías en las piezas de plástico o hule.
- b) Tenga cuidado al apretar los pernos o tornillos para no dañar la porcelana.

Pieza	Descripción
1	Cubierta del tanque del inodoro
2	Tanque del inodoro
3	Tornillos para fijar el tanque a la taza del inodoro
4	Empaque de hule para fijar el tanque a la taza del inodoro
5	Conexión a la toma de agua
6	Sello de hule de la línea de suministro de agua
7	Adaptador de la línea de suministro de agua
8	Línea de suministro de agua (no se incluye)
9	Arandela plana de plástico
10	Perno de plástico
11	Cubrepernos
12	Taza del inodoro

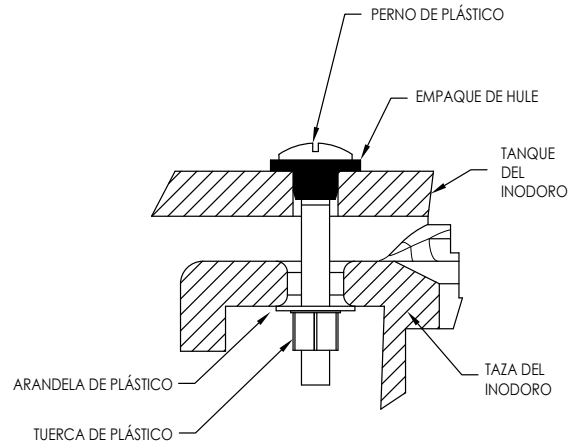


SK2593

DETALLE DE LA CONEXIÓN A LA TOMA DE AGUA



DETALLE DE LA CONEXIÓN ENTRE EL TANQUE Y LA TAZA



SK2594

Fije el empaque de hule negro.

Empuje hacia abajo la parte superior del tanque al apretar los pernos que unen el tanque a la taza. Alterne el apriete de los pernos hasta asegurarse de que la taza esté nivelada.

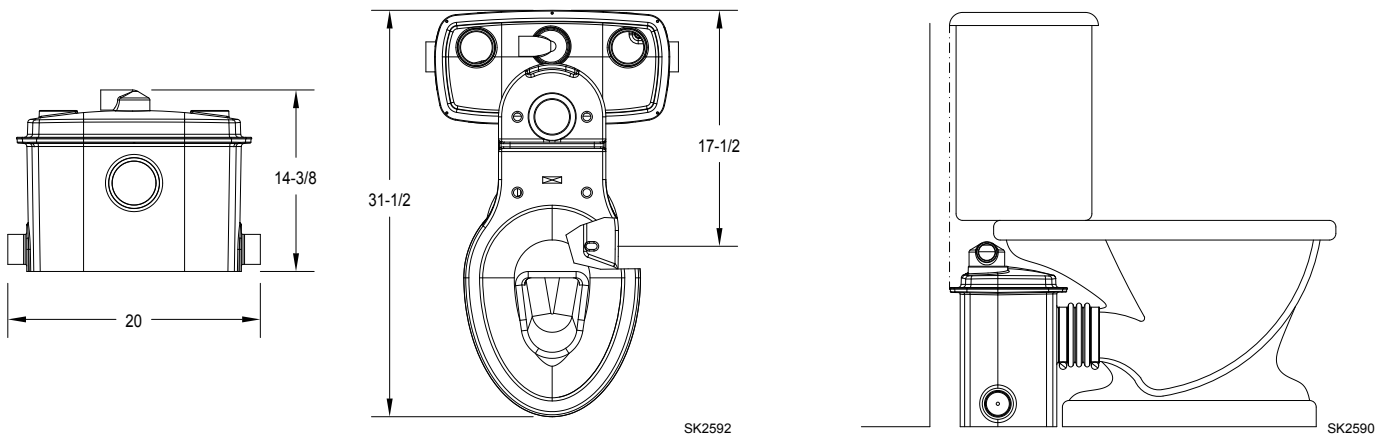
⚠️PRECAUCIÓN NO APRIETE DEMASIADO. El vástago de la válvula de bola podría partirse y la garantía quedaría invalidada.

⚠️PRECAUCIÓN NO APRIETE DEMASIADO porque podría quebrar la porcelana.

PASO 4

Rough-In (instalación independiente)

- 1) Coloque la bomba a una distancia mínima de 1/8" de la pared con el punto de entrada hacia delante. Fije el tubo flexible al punto de entrada con ayuda de la abrazadera de manguera que viene incluida.
- 2) Coloque el inodoro frente a la bomba de modo que la descarga del inodoro esté alineada con el punto de entrada de la bomba. Asegúrese de que el tubo flexible libre bien esta distancia para la instalación final. El tanque del inodoro debe estar a una distancia mínima de 1/2" de la pared.
- 3) Marque ligeramente en el piso la ubicación de la bomba, el inodoro y los pernos para inodoro. Marque discretamente en la pared la altura de la bomba y la parte inferior y los costados del tanque del inodoro para asegurarse de que no habrá interferencia con ningún tramo de tubería.
- 4) Separe el inodoro de la bomba y hágalo a un lado.

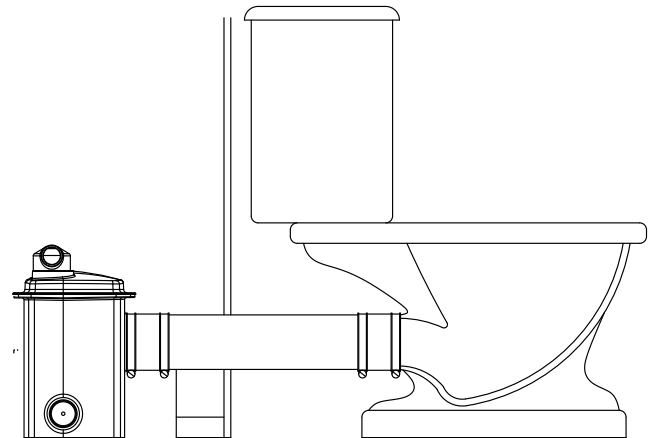


PASO 5

Rough-In (instalación oculta)

- 1) Para instalar la unidad trituradora detrás de la pared se necesita un kit de extensión (PIN 10-2123), que se vende por separado.
- 2) Coloque el inodoro a una distancia mínima de 1/2" de la pared y marque en el piso la ubicación de los pernos para inodoro.
- 3) Mida la longitud adecuada del tubo de PVC de 3" cédula 40 que se incluye en el kit de extensión y recórtelo donde corresponda. Consulte el diagrama de la derecha.
- 4) Haga el inodoro a un lado.

▲PRECAUCIÓN La parte superior del inodoro es la más pesada. Tome precauciones especiales para asegurarse de que el inodoro no se caiga de lado y se rompa.



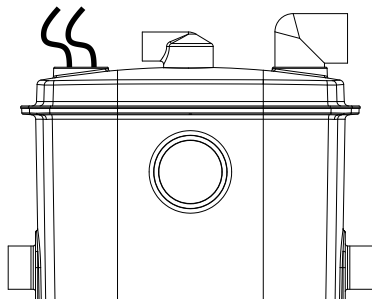
SK2634

PASO 6

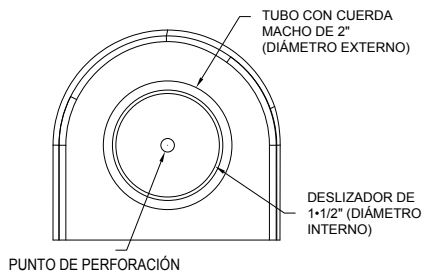
Tubería

- 1) Recorte y arme en seco los tubos y las conexiones según sea necesario para una tubería de descarga de 1" de diámetro (puede reducirse a 3/4" de diámetro si los códigos lo permiten).
- 2) Al armar en seco el tubo de descarga, coloque y marque la ubicación de la conexión de salida de la bomba.
- 3) Recorte y arme en seco el tubo de ventilación de 1-1/2" según sea necesario para asegurarse de que el tubo de ventilación no interfiera con las demás piezas. Haga la conexión con la bomba mediante el codo macho-hembra que se incluye con el sistema. Se incluyen una conexión de salida de 2" x 1" de 90° y una conexión de ventilación con codo macho-hembra de 1 1/2" en caso de que haya problemas de espacio en una configuración independiente. Sin embargo, estas piezas no son necesarias para una instalación oculta. Si emplea un tubo recto, se reducirá la carga dinámica total del sistema y se simplificará el ensamblaje de la instalación oculta. Para el tubo de descarga use una conexión recta de 2" y rebájela a 1".

▲ PRECAUCIÓN Para que el inodoro funcione, es necesario que la ventilación sea adecuada. No use un sistema de ventilación mecánico.



SK2589

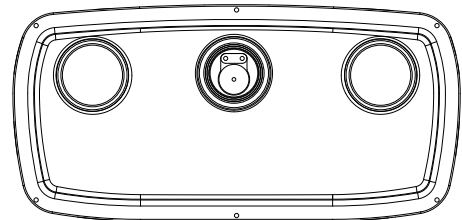


TUBO CON CUERDA MACHO DE 2" (DIÁMETRO EXTERNO)

DESLIZADOR DE 1-1/2" (DIÁMETRO INTERNO)

PUNTO DE PERFORACIÓN

SK2586



SK2591

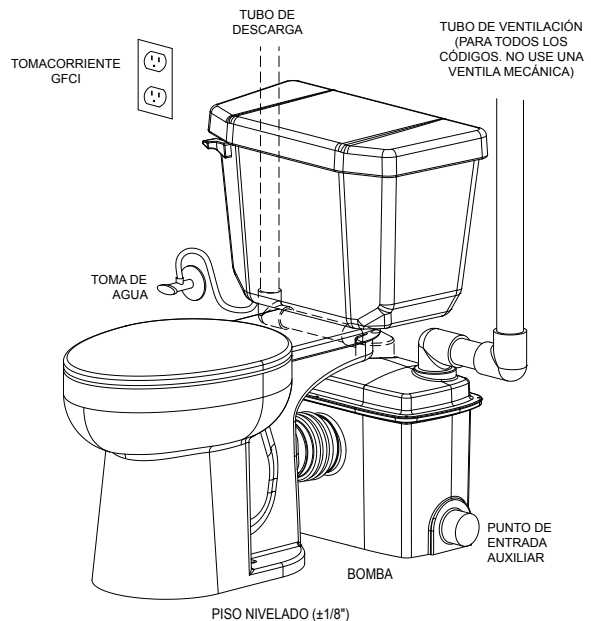
- 4) Coloque temporalmente el inodoro en su lugar para revisar que no haya interferencia entre las tuberías. Quite el inodoro y hágalo a un lado.
 - 5) Limpie, cebe y suelde con soldadura líquida el tubo de descarga y la conexión de salida de la bomba.
- ▲ PRECAUCIÓN** Al aplicar la soldadura líquida a la conexión de salida, asegúrese de que la soldadura no caiga dentro de la válvula de check. Asegúrese muy bien de que la alineación de la conexión de salida sea la correcta según lo que marcó anteriormente.
 - 6) Limpie y pegue con soldadura líquida la tubería de ventilación según se requiera para que la ventilación sea la adecuada.

Nota: Otros accesorios para baño - El sistema Qwik Jon® Ultima está diseñado para combinarse con otros accesorios para baño que se pueden adaptar en los dos puntos de entrada de los costados. Estos dos puntos de entrada pueden sujetarse mediante los tubos con cuerda macho de 2" (diámetro exterior) o el deslizador de 1 1/2" (diámetro interno). Es necesario perforar la parte interna de estos puntos de entrada con ayuda de una sierra perforadora de 1 3/4". De esta manera se evitan problemas de fugas en los puntos de entrada que no se estén usando. Al utilizar los puntos de entrada laterales, instale una válvula de check en la línea de entrada.

PASO 7

Instalación del inodoro

- 1) Instale los pernos para inodoro en los puntos que marcó anteriormente.
- 2) Coloque el inodoro encima de los pernos. Instale los aditamentos de anclaje y apriételes de manera alternada. Revise el nivel y ponga las calzas que haga falta. Tenga cuidado al apretar los pernos o tornillos para no dañar el la porcelana.
- 3) Instale los tubos flexibles en la descarga del inodoro y el buje del tanque de trituración y asegúrelos con las abrazaderas de manguera que se incluyen para la instalación independiente. Vea el diagrama del paso 4. Para la instalación oculta, instale las conexiones de hule en el tanque triturador y la descarga del inodoro y asegúrelos al tubo de extensión con las abrazaderas de manguera que se incluyen. Vea el diagrama del paso 5.
- 4) Conecte la línea de suministro de agua de la llave de paso existente a la conexión de la toma de agua del inodoro.
- 5) Abra la válvula de suministro de agua y revise que no haya fugas. El tanque del inodoro deberá llenarse hasta el nivel adecuado. Haga los ajustes necesarios.
- 6) Conecte el cable de alimentación de la bomba en el receptáculo del interruptor integrado y luego conecte el interruptor integrado al tomacorriente GFCI.
- 7) Accione el inodoro y observe si funciona correctamente. Espere a que se oiga el ruido de la bomba en funcionamiento. Para que el inodoro funcione es necesario que la ventilación sea adecuada. Revise que no haya fugas.
- 8) Repita los ciclos de accionamiento del inodoro para verificar su debido funcionamiento.
- 9) Instale un asiento para inodoro alargado (disponible a través de otros proveedores).
- 10) Coloque la cubierta del tanque del inodoro.



PISO NIVELADO (±1/8")

SK2595