

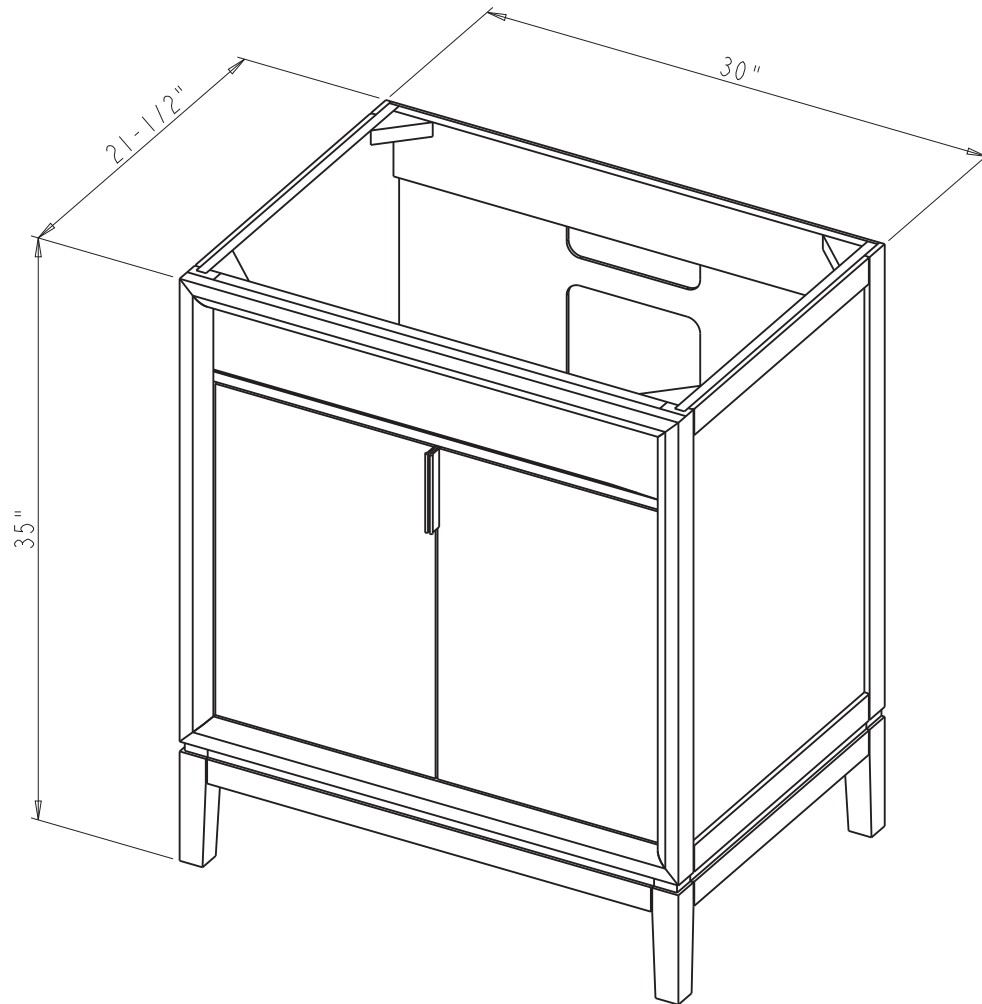
ADJUSTABLE-SHELF


Specification:

1. Material: MDF + Plywood + Birch
2. Finish: See Table
3. Hardware: See Table
4. Slides: USE58-300-18 + US-CLIP-4W ( 1 Set )
5. Hinge: 700.0537.25 + 600.1234.05 ( 4 Set )
6. Shelf Supports: 1707BN ( 4 PCS )
7. The tolerance is +/- 1/8"

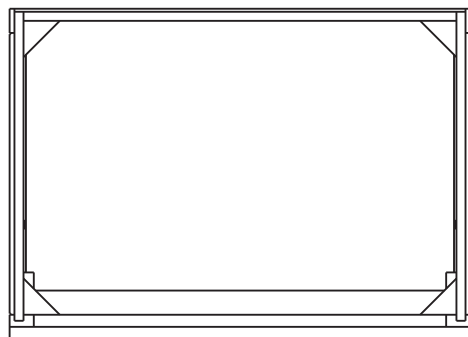
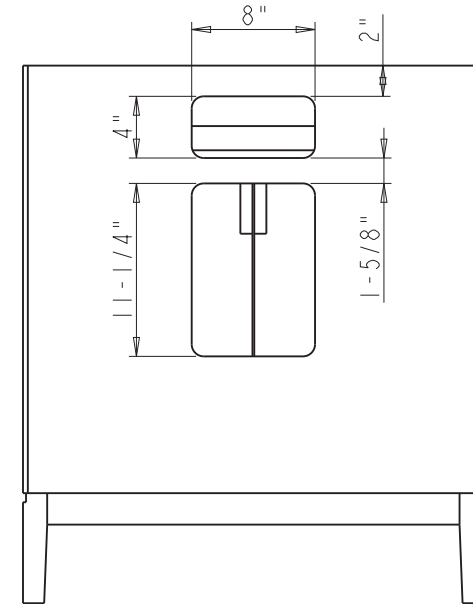
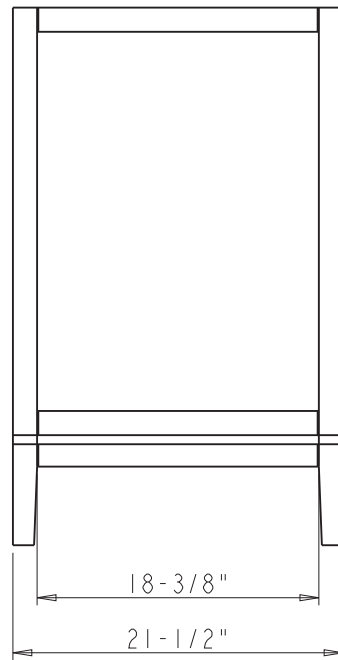
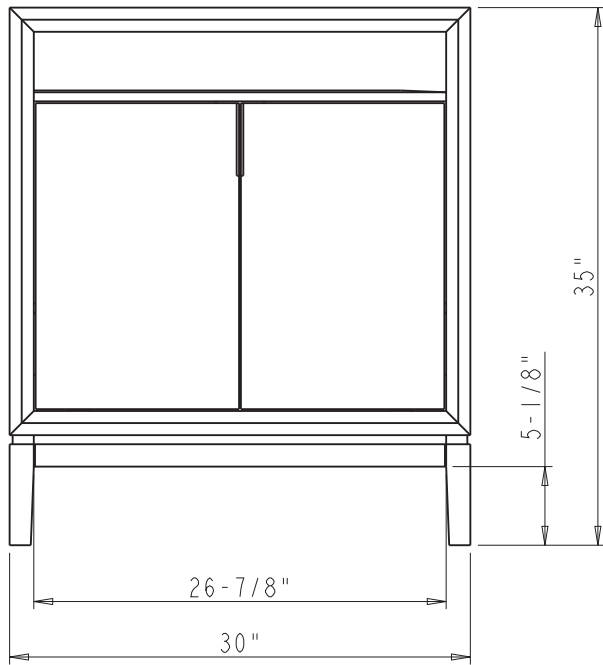
| Item number     | Finish      | Deco Hardware |     |
|-----------------|-------------|---------------|-----|
|                 |             | Item number   | Qty |
| VN2THE-30-BK-NT | Black       | A500-4PC      | 2   |
| VN2THE-30-BL-NT | Blue        | A500-4ABG     | 2   |
| VN2THE-30-BS-NT | Bule Steel  | A500-4PC      | 2   |
| VN2THE-30-GR-NT | Grey        | A500-4PC      | 2   |
| VN2THE-30-WH-NT | White       | A500-4PC      | 2   |
| VN2THE-30-DW-NT | Dark Walnut | A500-4ABG     | 2   |
| VN2THE-30-NO-NT | Natural Oak | A500-4MB      | 2   |

|   |   |                                     |
|---|---|-------------------------------------|
| <p><b>hardware resources</b></p> <p>PROPRIETARY AND CONFIDENTIAL</p> <p>THE INFORMATION CONTAINED IN THIS DRAWING IS THE SOLE PROPERTY OF HARDWARE RESOURCES INC. ANY REPRODUCTION IN PART OR AS A WHOLE WITHOUT THE WRITTEN PERMISSION OF HARDWARE RESOURCES INC. IS PROHIBITED.</p> <p>DO NOT SCALE DRAWING</p> | ITEM#: VN2THE-30  | MATERIAL:                           |
|   | FINISH:   | WEIGHT:                             |
|   |   | PROJECTION                          |
|   | TOLERANCE UNLESS OTHERWISE SPECIFIED:<br>X ±0.20<br>X.X ±0.10<br>X.XX ±0.05<br>ANGULAR: ±0.5° | UNITS:<br>DRAWN BY: <b>Hugo.cai</b> |
|   | APPROVED BY:  | DATE:                               |
|   | RELEASE LEVEL:  | REVISION:                           |



|   |   |                |              |                                |                    |
|---|---|----------------|--------------|--------------------------------|--------------------|
|  <p><b>hardware resources</b></p> <p>PROPRIETARY AND CONFIDENTIAL</p> <p>THE INFORMATION CONTAINED IN THIS DRAWING IS THE SOLE PROPERTY OF HARDWARE RESOURCES INC. ANY REPRODUCTION IN PART OR AS A WHOLE WITHOUT THE WRITTEN PERMISSION OF HARDWARE RESOURCES INC. IS PROHIBITED.</p> <p>DO NOT SCALE DRAWING</p> | ITEM#: VN2THE - 30  |                | MATERIAL:    |                                |                    |
|   | FINISH:   |                | WEIGHT:      |                                |                    |
|   | TOLERANCE UNLESS OTHERWISE SPECIFIED:<br>X ±0.20<br>X.X ±0.10<br>X.XX ±0.05<br>ANGULAR: ±0.5° |                | UNITS:       | DRAWN BY:<br><i>Tony.Huang</i> | DATE:<br>May-20-21 |
|   | SIZE:   |                | APPROVED BY: | DATE:                          |                    |
| SHEET:  |   | RELEASE LEVEL: | REVISION:    |                                |                    |





|   |   |  |                                |                    |
|---|---|--|--------------------------------|--------------------|
|   | ITEM#: VN2THE - 30  |  | MATERIAL:                      |                    |
|   | FINISH:   |  | WEIGHT:                        |                    |
| <p><b>PROPRIETARY AND CONFIDENTIAL</b></p> <p>THE INFORMATION CONTAINED IN THIS DRAWING IS THE SOLE PROPERTY OF HARDWARE RESOURCES INC. ANY REPRODUCTION IN PART OR AS A WHOLE WITHOUT THE WRITTEN PERMISSION OF HARDWARE RESOURCES INC. IS PROHIBITED.</p> <p>DO NOT SCALE DRAWING</p> | UNITS:  |  | DRAWN BY:<br><b>Tony.Huang</b> | DATE:<br>May-20-21 |
|   | TOLERANCE UNLESS OTHERWISE SPECIFIED:<br>X ±0.20<br>X.X ±0.10<br>X.XX ±0.05<br>ANGULAR: ±0.5° |  | APPROVED BY:                   | DATE:              |
|   | SHEET:  |  | RELEASE LEVEL:                 | REVISION:          |
|   | PROJECTION  |  |                                |                    |