

CAUTION: Read instructions carefully and turn electricity off at main circuit breaker panel before beginning installation.

P2666

CAUTION: P2666 45° CANOPY ONLY TO BE USED WITH THE FOLLOWING PROGRESS LIGHTING FAN MODEL NUMBERS: P2501, P2503, P2521, P2526, P2530, P2531, P2533, P2539, P2584.

CAUTION: Risk of fire. Min. 90°C supply conductors. Consult a qualified electrician to ensure correct branch circuit conductor.

WARNING: If any special control devices are used with this fixture, follow the instructions carefully to assure full compliance with N.E.C. requirements. If there are any questions, contact a qualified electrical contractor.

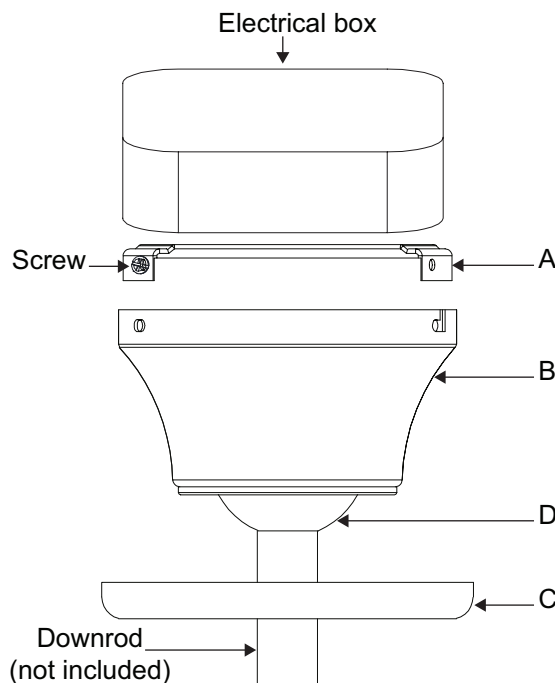
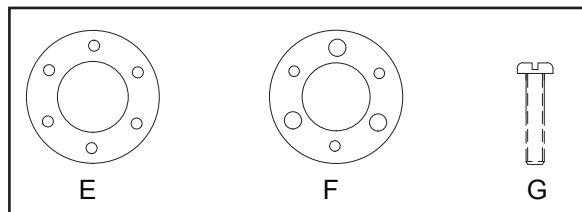
45° CANOPY KIT

Design allows remote control receiver to be installed within canopy up to a 45° angle.

Unpacking the Kit

1. Identify all the included components:

- A. Mounting bracket with 4 canopy screws
- B. Canopy
- C. Canopy ring
- D. Hanger ball
- E. Metal clamp plate
- F. Plastic gasket
- G. Screw



Instructions

1. Turn off the power supply before installation.
2. The electrical box and support structure must be securely mounted and capable of reliably supporting 35 lbs (15.9 kg) or less.
3. Remove the canopy ring (C) from the canopy (B) by turning the ring to the right until it unlocks. (Figure A)
4. Remove the mounting bracket (A) from the canopy (B) by loosening the four screws on the top of the canopy (B). Remove the two non-slotted screws and loosen the slotted screws. This will enable you to remove the mounting bracket (A). (Figure B)

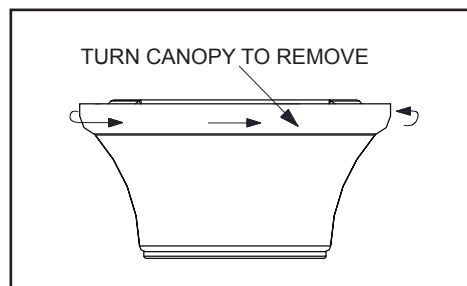


Figure A

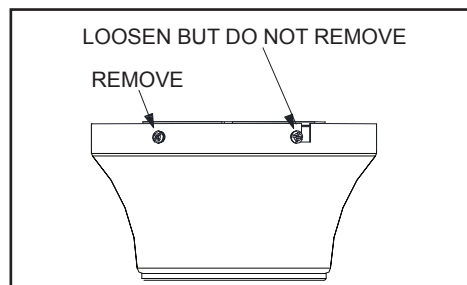


Figure B

Standard Ceiling Mounting

1. Slide the downrod (not included) through bottom of hanger ball and insert the retaining pin through the downrod. Lock the pin into the hanger ball slot and secure with screw. (Figure C)
2. Route the wires exiting the top of the fan motor assembly through the canopy ring, canopy, and then the downrod assembly. Secure the downrod to the ceiling fan according to the ceiling fan instructions. (Figure D)

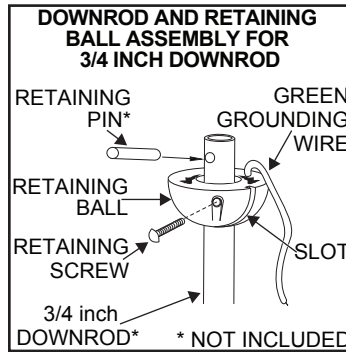


Figure C

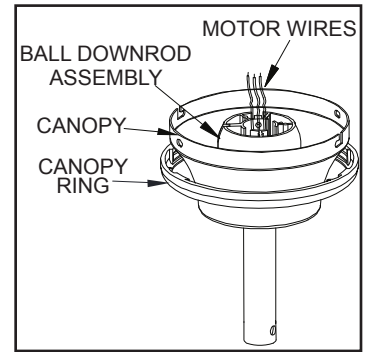


Figure D

Close-to-Ceiling Ceiling Mounting

1. Remove the decorative canopy bottom cover from the canopy by depressing the three studs. (Figure E)
2. Remove three of the six screws and lockwashers (every other one), securing the motor collar to the top of the fan-motor assembly. (Figure F)
3. Route the wires exiting the top of the fan-motor assembly through the plastic gasket, canopy, and then metal clamp plate. Make sure to align the holes in the plastic gasket with the three screw holes in the fan-motor assembly. (Figure G)
4. With the metal clamp plate inside the canopy, align the screw holes of the clamp plate and plastic gasket with the screw holes on the top of the motor. Securely tighten the the three provided screws and lock washers.

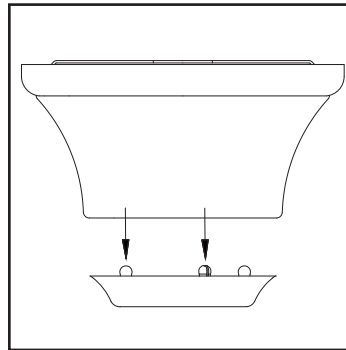


Figure E

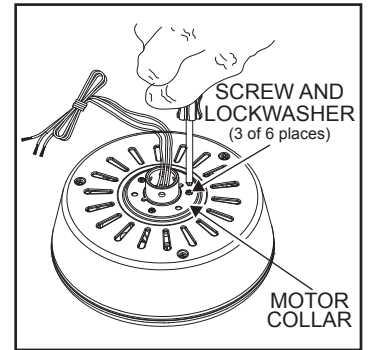


Figure F

Install the Canopy

1. Pass the 120-volt supply wires through the center hole in the ceiling mounting bracket as shown in Figure H.
2. Install the ceiling mounting bracket on the electrical box by using the mounting screws provided with the electrical box. Note the the flat side of the mounting bracket is toward the electrical box. (Figure H)
3. Tighten the two screws on the electrical box securely. (Figure H)
4. Carefully lift the fan assembly up to the ceiling mounting plate and hang the fan on the hook provided by utilizing on of the holes at the outer rim of the ceiling canopy. (Figure I)
5. Make electrical connections according to the ceiling fan manufacturer's instructions.
6. Carefully lift the canopy up to the mounting plate. Make sure the hanger ball is seated into the canopy properly. Align the locking slots of the ceiling canopy with the two screws in the mounting plate. Push up to engage the slots and turn clockwise to lock in place. Immediately tighten the two screws firmly. Re-install the two remaining screws to secure the canopy properly.

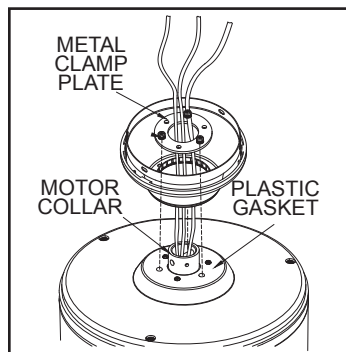


Figure G

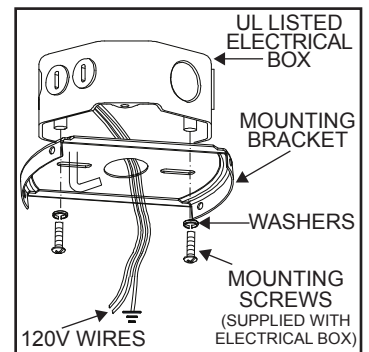


Figure H

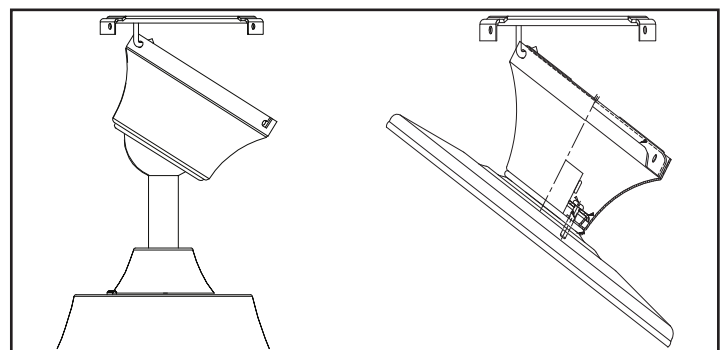


Figure I