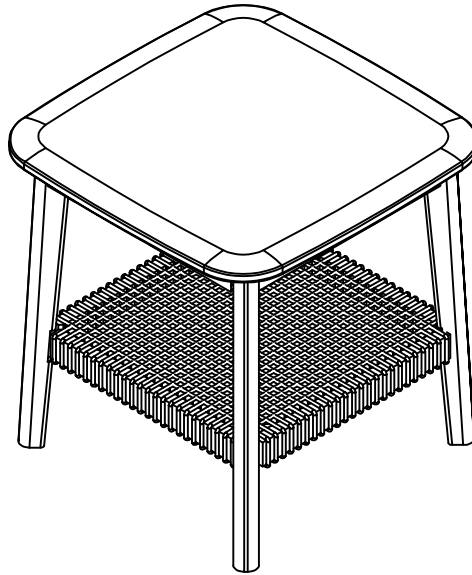


Side Table

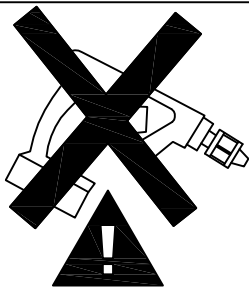
End Table

20"Lx20"Wx20"H

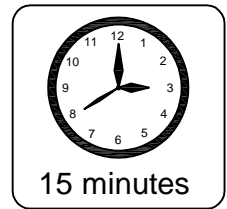
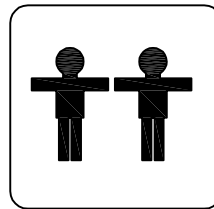


REPLACEMENT PARTS

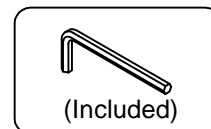
Please do not contact the company purchased from as we can help you faster.
Order replacement parts and hardware at "www.boltonfurniture.com"



. Use of power tool to assemble this product will invalidate any claim and damage this product making it unsafe !!!
. Please assemble on a clean soft surface to avoid damage.

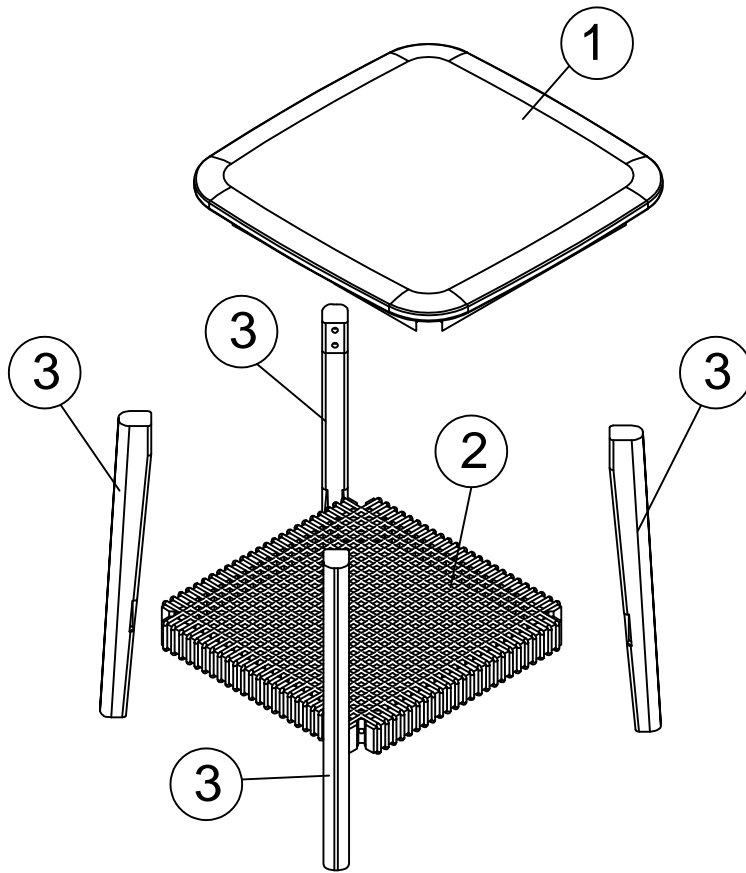


Tools Required





www.boltonfurniture.com

Part list - End Table



Identifying the hardware-Identify the hardware using the illustrations below

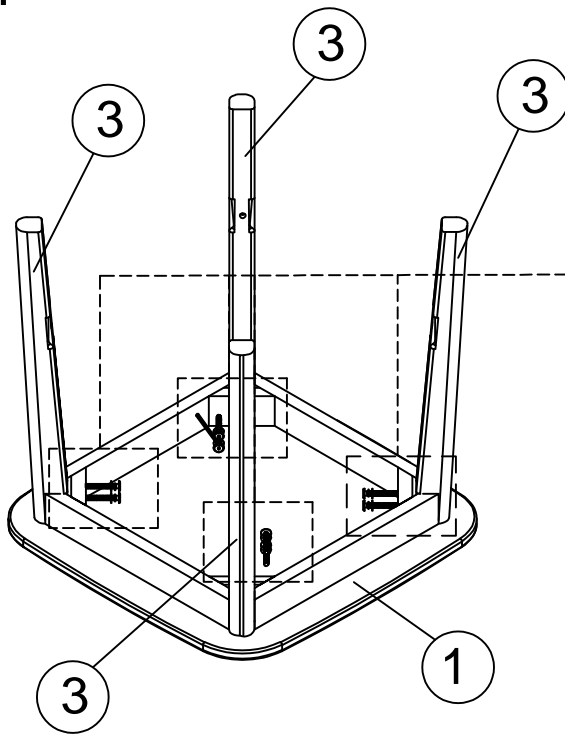
A  **12**
M6*50mm Bolt





B  **12**
M6 Washer

C  **12**
Spring Washer

D  **01**
Allen Key

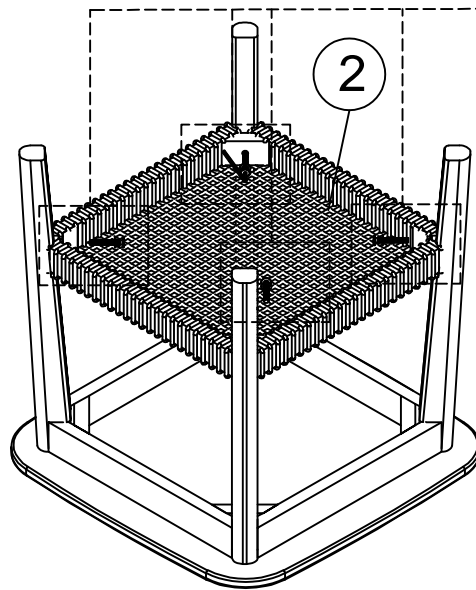
Step 01







- A  08
M6*50mm Bolt
- B  08
M6 Washer
- C  08
Spring Washer
- D  01
Allen Key

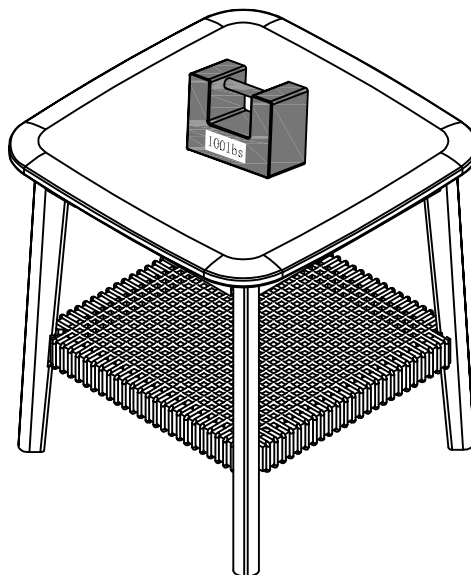
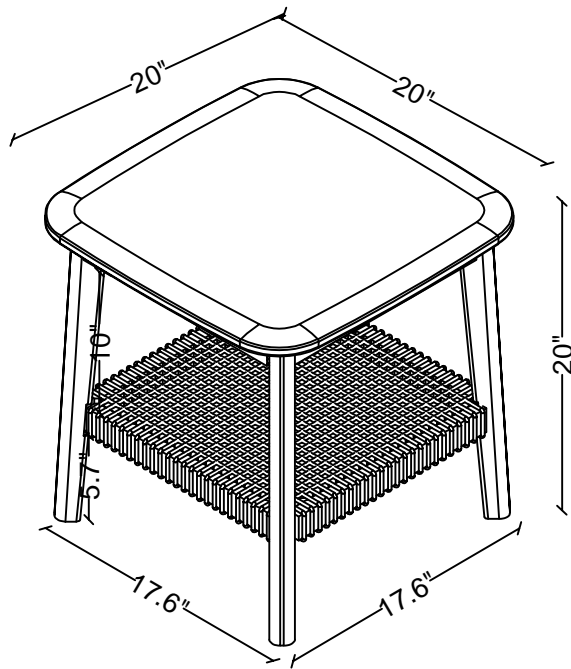
Note: Don't tighten bolts until completely assembly!

Step 02



- A  04
M6*50mm Bolt
- B  04
M6 Washer
- C  04
Spring Washer
- D  01
Allen Key

Note: Tighten bolts firmly at this time



Maximum Weight Capacity:
100lbs