

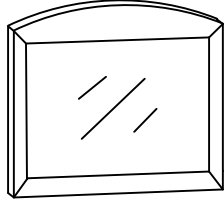

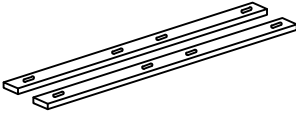
ASSEMBLY INSTRUCTIONS

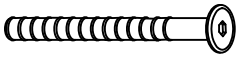



Item No : B1078-060
REX MIRROR
 (1PC PER CARTON)

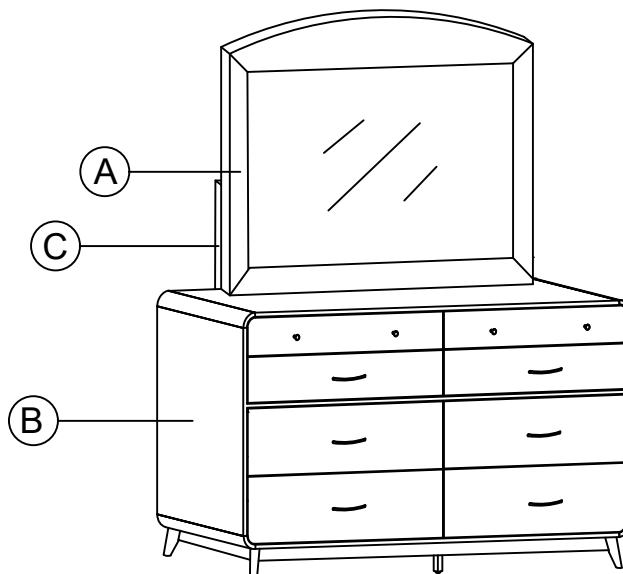
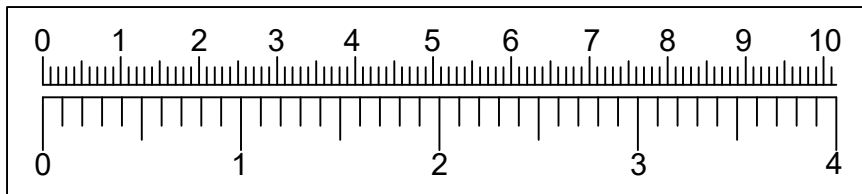
Thank you for purchasing this quality product. Be sure to check all packing materials carefully for small parts, which may have come loose inside the carton during shipment. Identify and count all items and compare with the parts list and/or hardware list shown below.

Cautions :

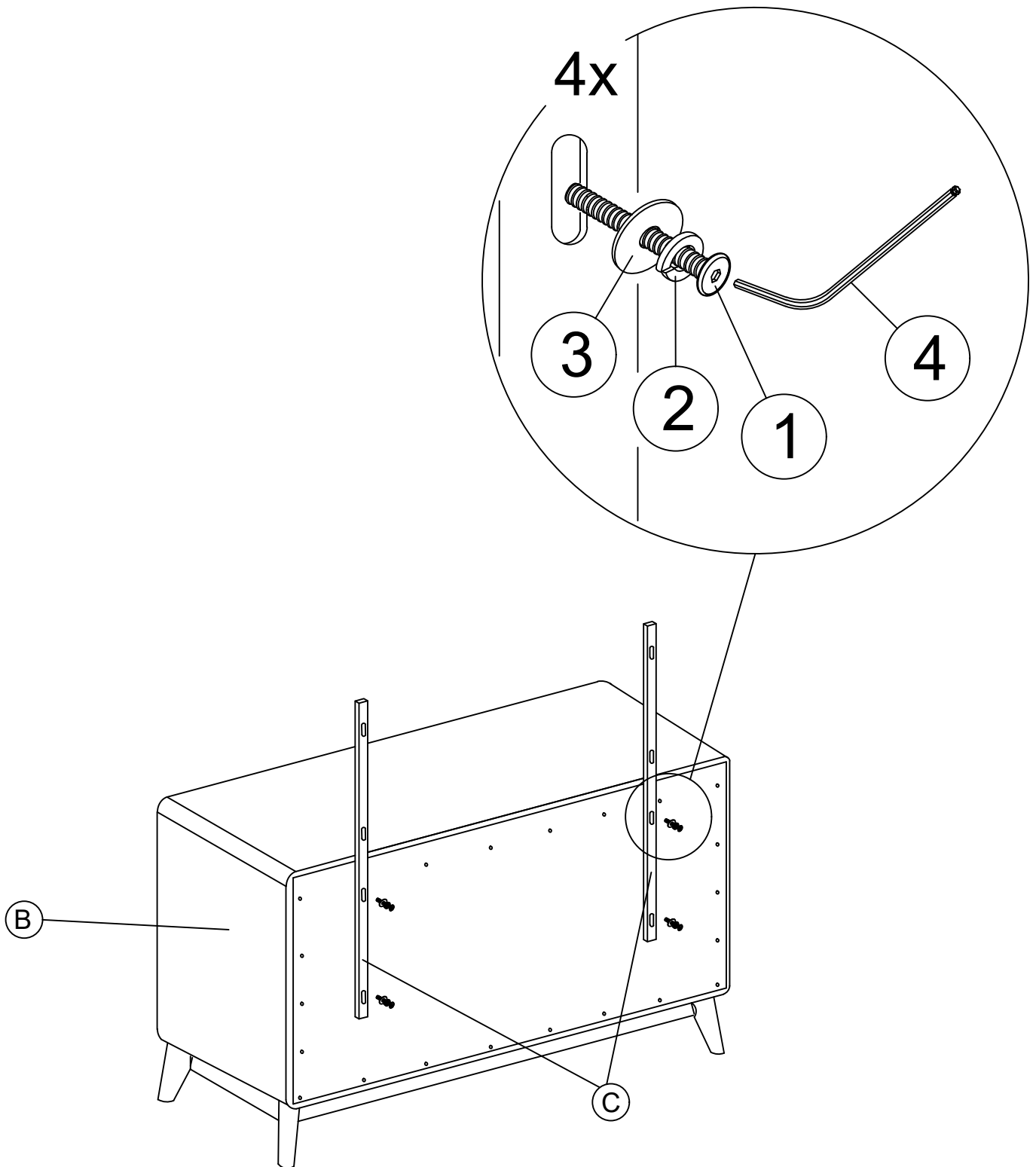
- (1) Do not fully-tighten the nuts or bolts until all nuts and bolts are assembled.
 (To avoid causing damages to the thread, do not over-tighten the nuts or bolts.)
- (2) Keep all hardware part out of reach of children.

PARTS LIST			
NO	DESCRIPTION	SKETCH	QTY
A	MIRROR		1 PC
B	DRESSER		1 PC
C	MIRROR SUPPORT		2 PCS

HARDWARE LIST			
NO	DESCRIPTION	SKETCH	QTY
1	BOLT 1/4" X 1 5/8"		8 PCS
2	SPRING WASHER 1/4"		8 PCS
3	FLAT WASHER 1/4"		8 PCS
4	ALLEN KEY		1 PC



STEP 1 : Assemble the Mirror Support (C) to the Dresser (B) by using allen key (4) and the hardware Bolt 1/4" x 1 5/8" (1), Spring washer (2) & Flat washer (3).



STEP 2 : Assemble the Mirror (A) to the Mirror Support (C) by using allen key (4) and the hardware Bolt 1/4" x 1 5/8" (1), Spring washer (2) & Flat washer (3).

