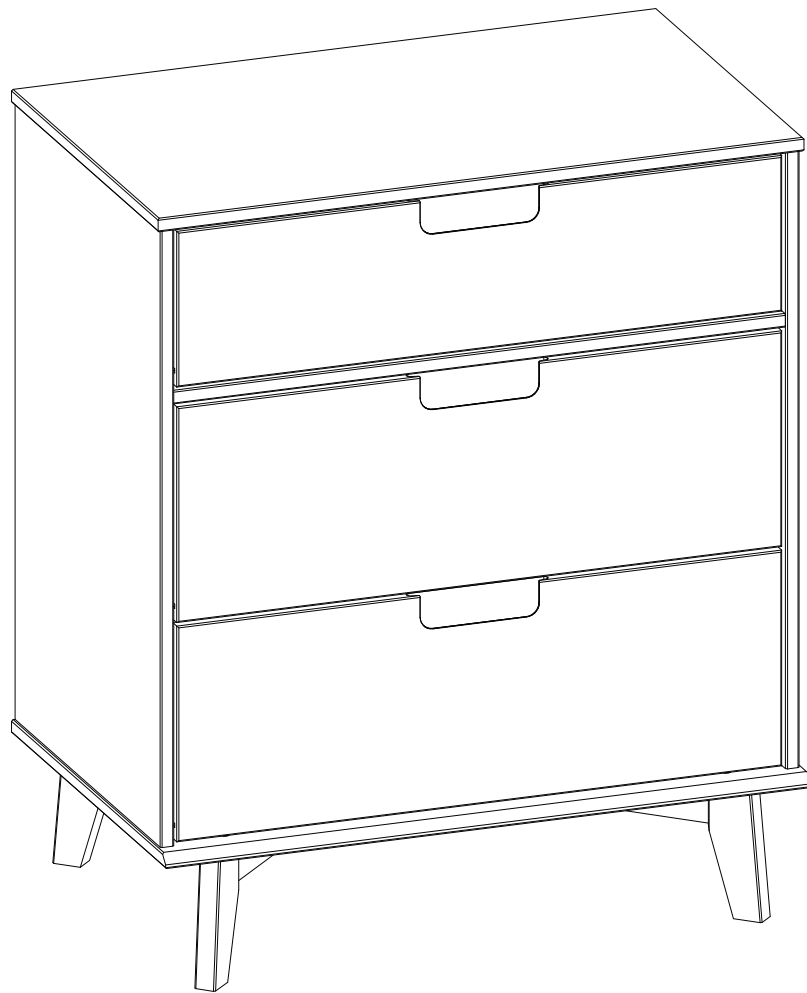


# Item: BR3DSLDR-T

## Assembly Instructions

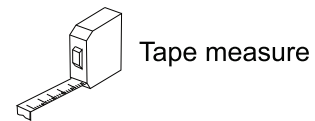
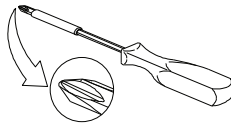
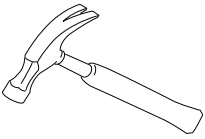


Please visit our website for the most current instructions, assembly tips, to report damage or request parts. [www.walkeredison.com](http://www.walkeredison.com)

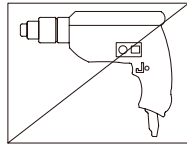
Revised 03/2024-V2

# General assembly guidelines

- I. Ensure that all parts and hardware are available before beginning assembly.
- II. Follow each step carefully to ensure the proper assembly of this product.
- III. Two people are recommended for ease in the assembly of this product.
- IV. The three main types of hardware used to assemble this product are wood dowels, screws and bolts.
- V. A Phillips head screwdriver, hammer and tape measure is required for the assembly of this product.



- VI. Power tools should not be used to assemble this product.

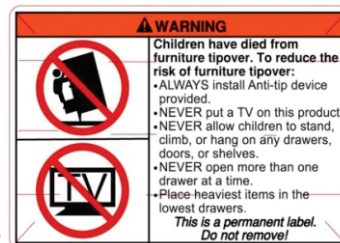


## VII. Maintenance Guide

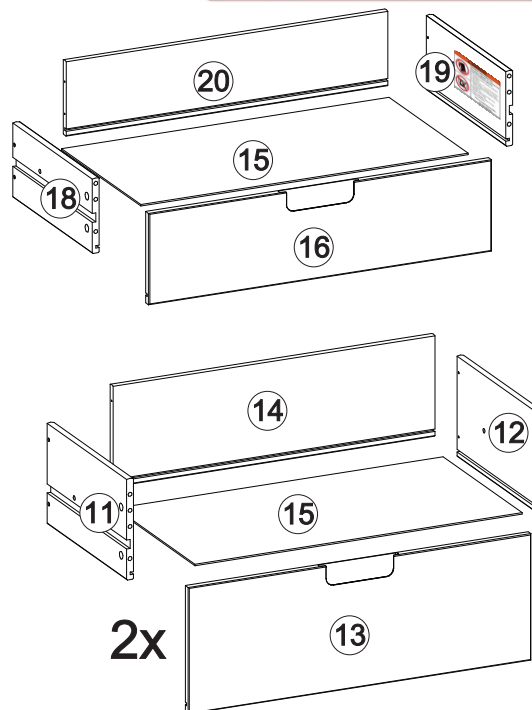
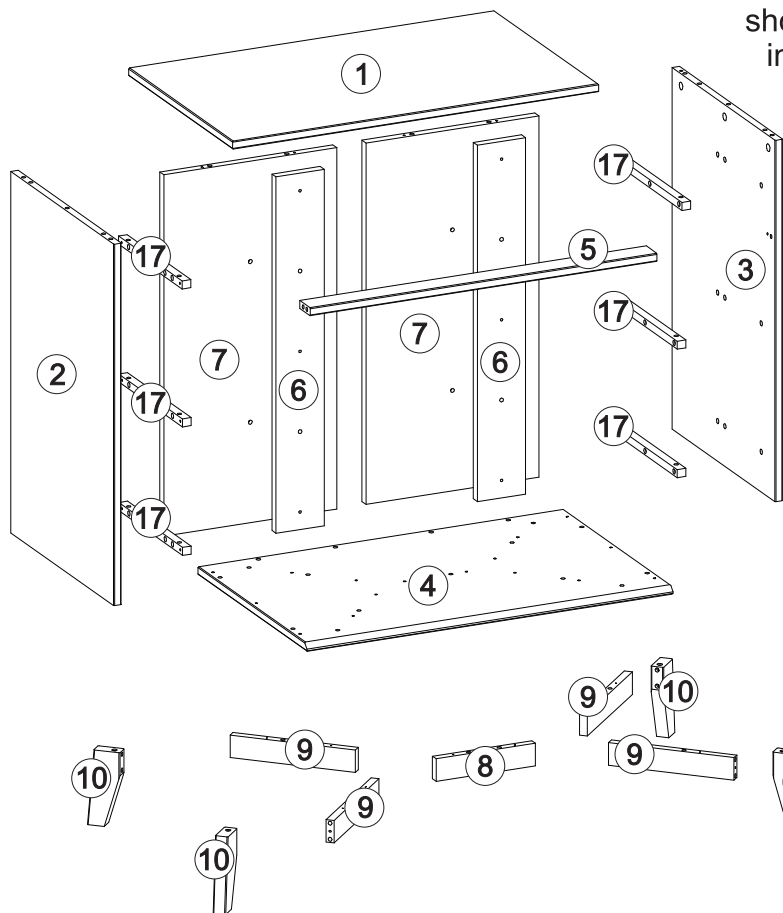
To maintain long term performance and easy gliding of your solid wood drawers, we recommend applying wax to the wooden guide rails.

1. Bee's wax is recommended or Paraffin wax from a standard candle can be used.
2. Apply the wax by rubbing it on the wooden guide rails where there is wood-on-wood contact when opening and closing the drawer. (Wax should be room temperature, do not melt the wax onto the wood)
3. Wax should be applied every few months for the first year and then only when needed after that to keep the drawers sliding smoothly.

# Parts List



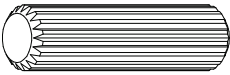

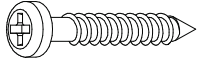



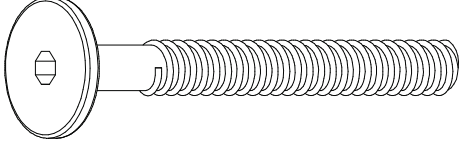

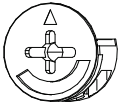





The side drawer with WARNING LABEL, should be mounted in highest drawer.

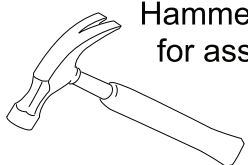


Part #	Description	Qty
1	Top panel	01 pc
2	Left side panel	01 pc
3	Right side panel	01 pc
4	Bottom panel	01 pc
5	Front rail	01 pc
6	Back rail	02 pcs
7	Back panel	02 pcs
8	Center base rail	01 pc
9	Foot rail	04 pcs
10	Foot	04 pcs

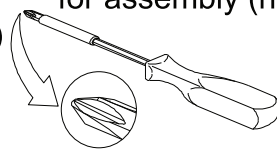
Part #	Description	Qty
11	Left drawer side	02 pcs
12	Right drawer side	02 pcs
13	Drawer front	02 pcs
14	Drawer back	02 pcs
15	Drawer bottom	03 pcs
16	Small drawer front	01 pc
17	Wood slider	06 pcs
18	Small left drawer side	01 pc
19	Right drawer side with warning	01 pc
20	Small drawer back	01 pc

# Hardware List

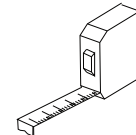
A		Ø8*30mm	Wooden dowel	52 pcs
B		Ø10*20mm	Wooden dowel	18 pcs
C		Ø4*25mm	Screw	18 pcs
D		Ø3,5*30mm	Screw	40 pcs
E		Ø4,0*40mm	Screw	07 pcs
F		Ø6*31mm	Cam bolt	20 pcs
G		Ø7*60mm	Screw	04 pcs
H		Ø8*40mm	Wooden dowel	06 pcs
I		Ø15*11mm	Cam lock	20 pcs
J		Ø6*35mm	Plastic bush	01 pc
K		Ø4,0*16mm	Screw	01 pc
L		4mm	Hex Key	01 pc
M			Wall anchor	01 pc
N			Washer	02 pcs



Hammer recommended  
for assembly (not included)



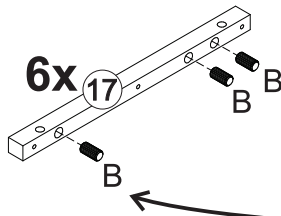
Philips head screwdriver required  
for assembly (not included)



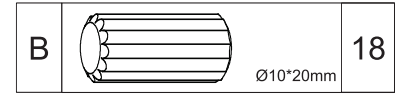
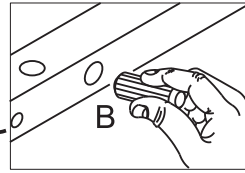
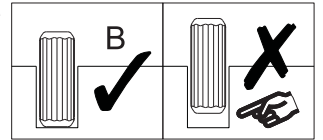
Tape measure  
required  
for assembly  
(not included)

*The hardware quantities listed above are required for proper assembly.  
Some extra hardware may also have been included.*

# Step 1

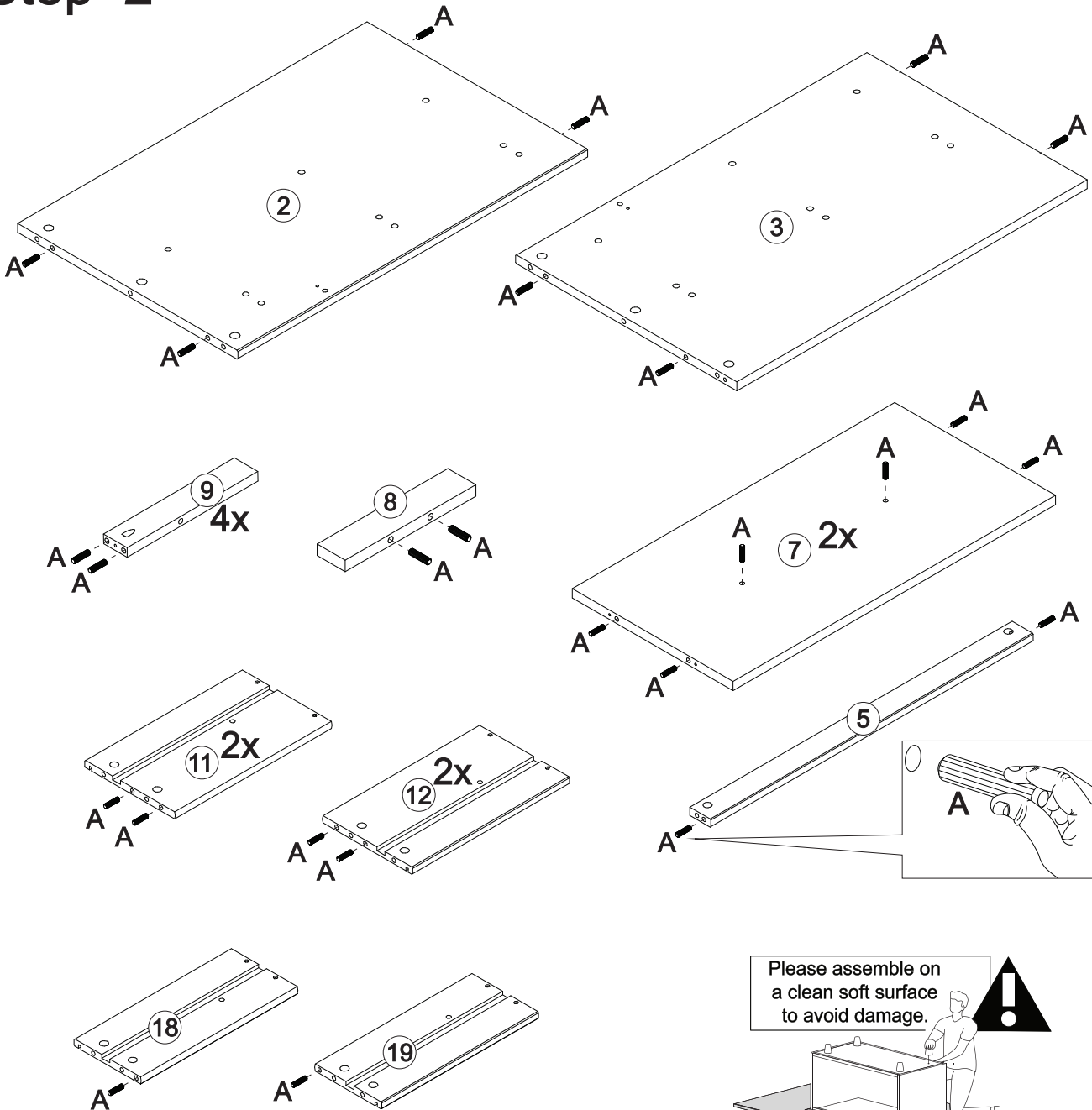


Attention to the  
dowel length:  
ø10\*20mm



Insert wood dowel (B) into part 17.

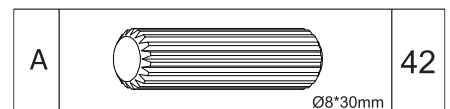
# Step 2



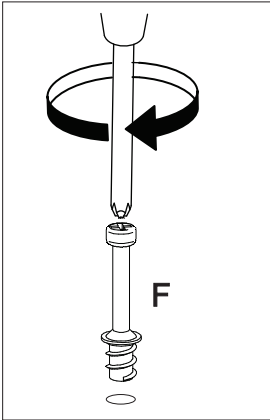
Please assemble on  
a clean soft surface  
to avoid damage.



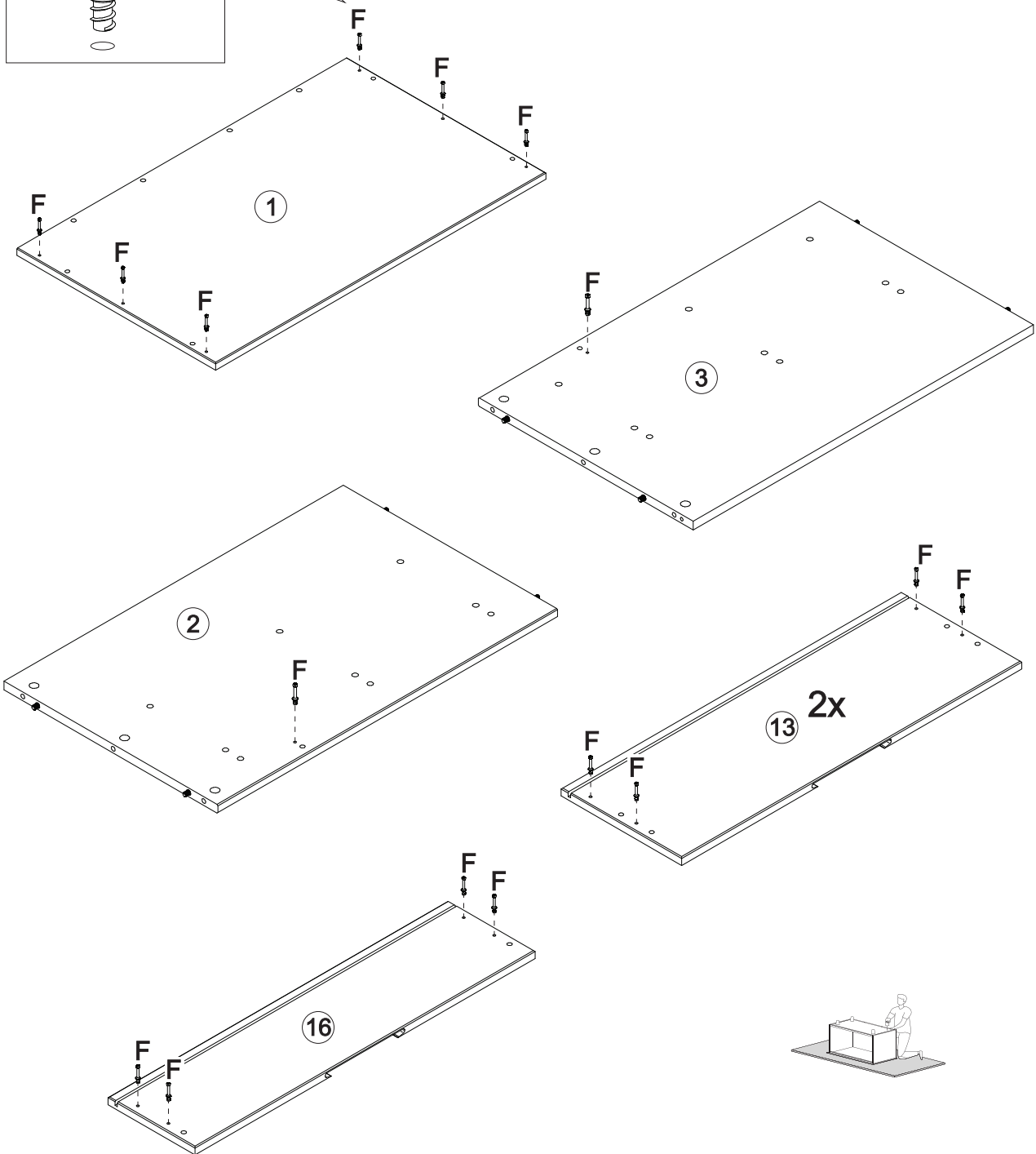
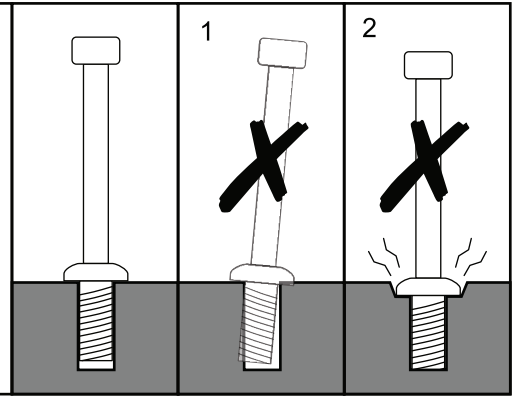
Insert wood dowel (A) into parts 2, 3, 5, 7, 8, 9,  
11, 12, 18 and 19.



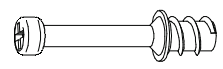
# Step 3



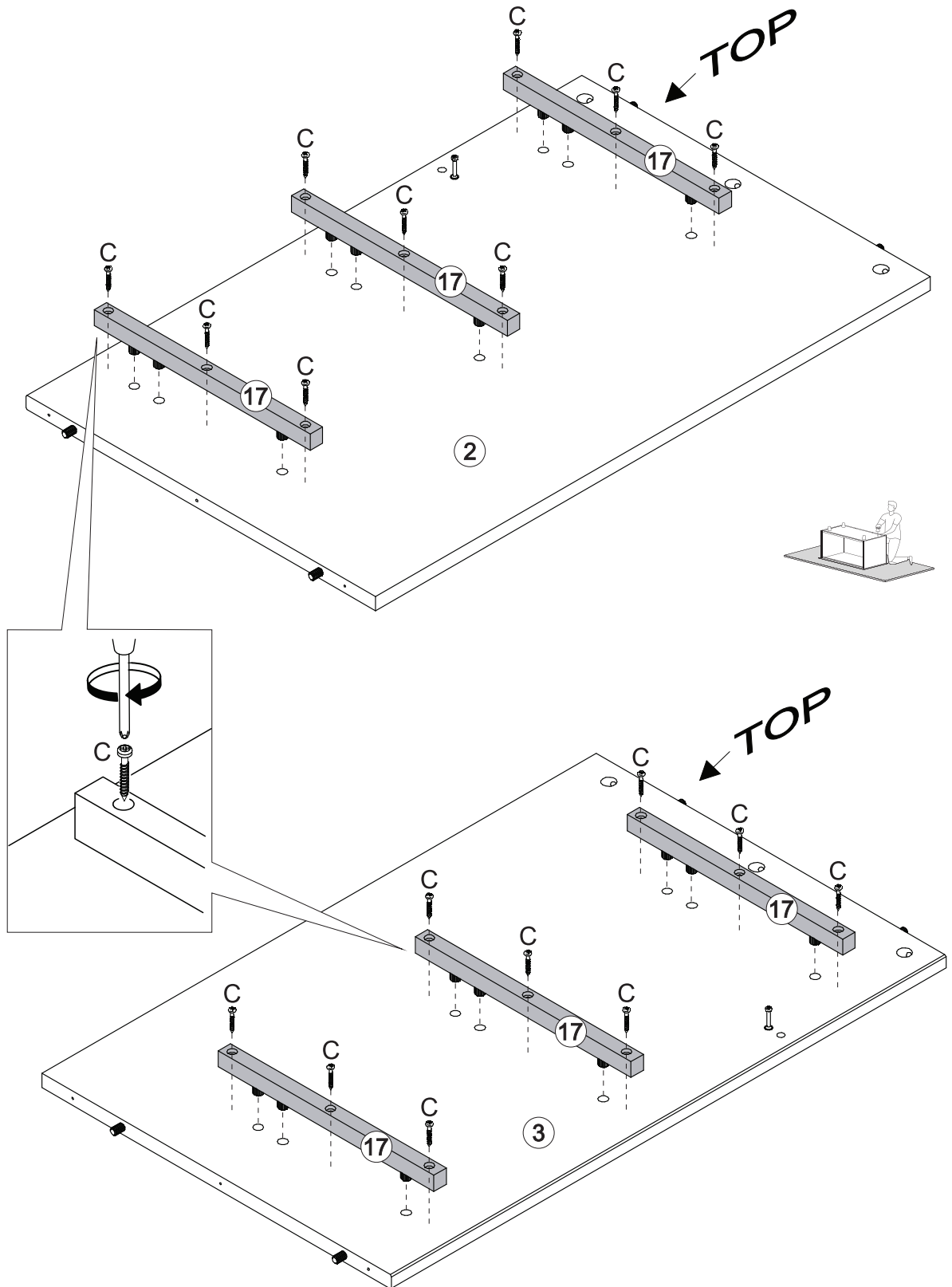
1 - Ensure cam bolt is installed straight and not at an angle.  
 2 - Tighten cam bolt until shoulder on cam bolt is flush. Do not over-tighten.



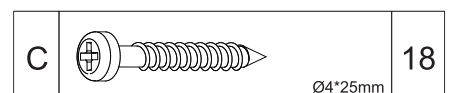
Attach cam bolt (H) into the holes in parts 1, 2, 3, 13, and 16 with Phillips head screwdriver.

F		20 Ø6*31mm
---	---	---------------

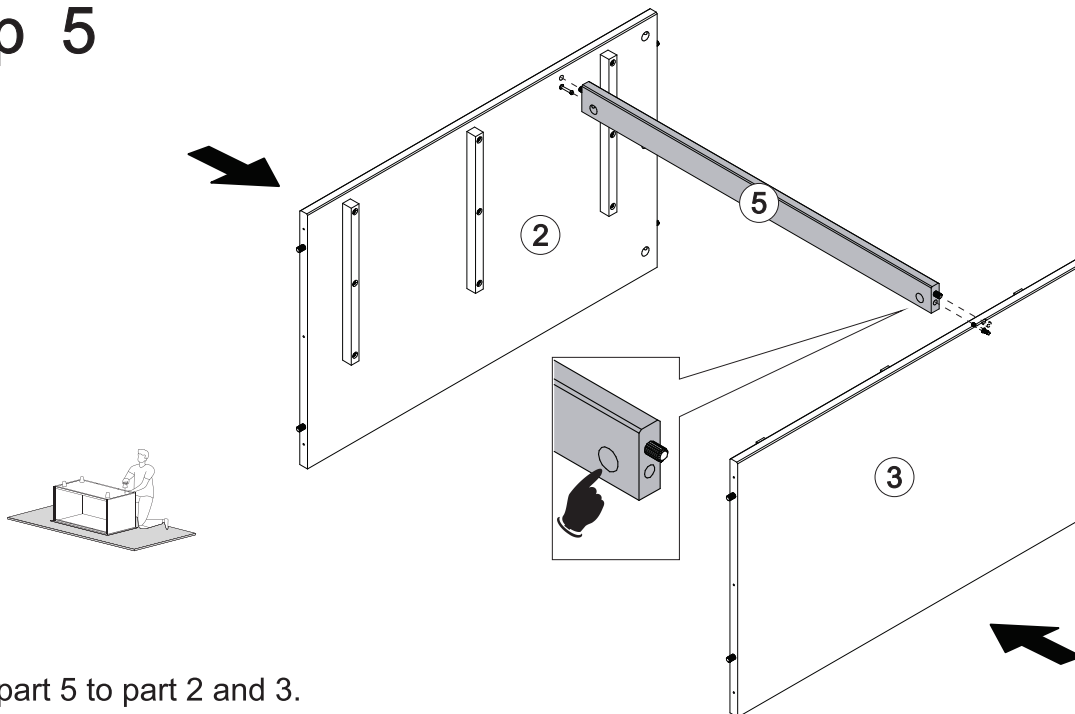
# Step 4



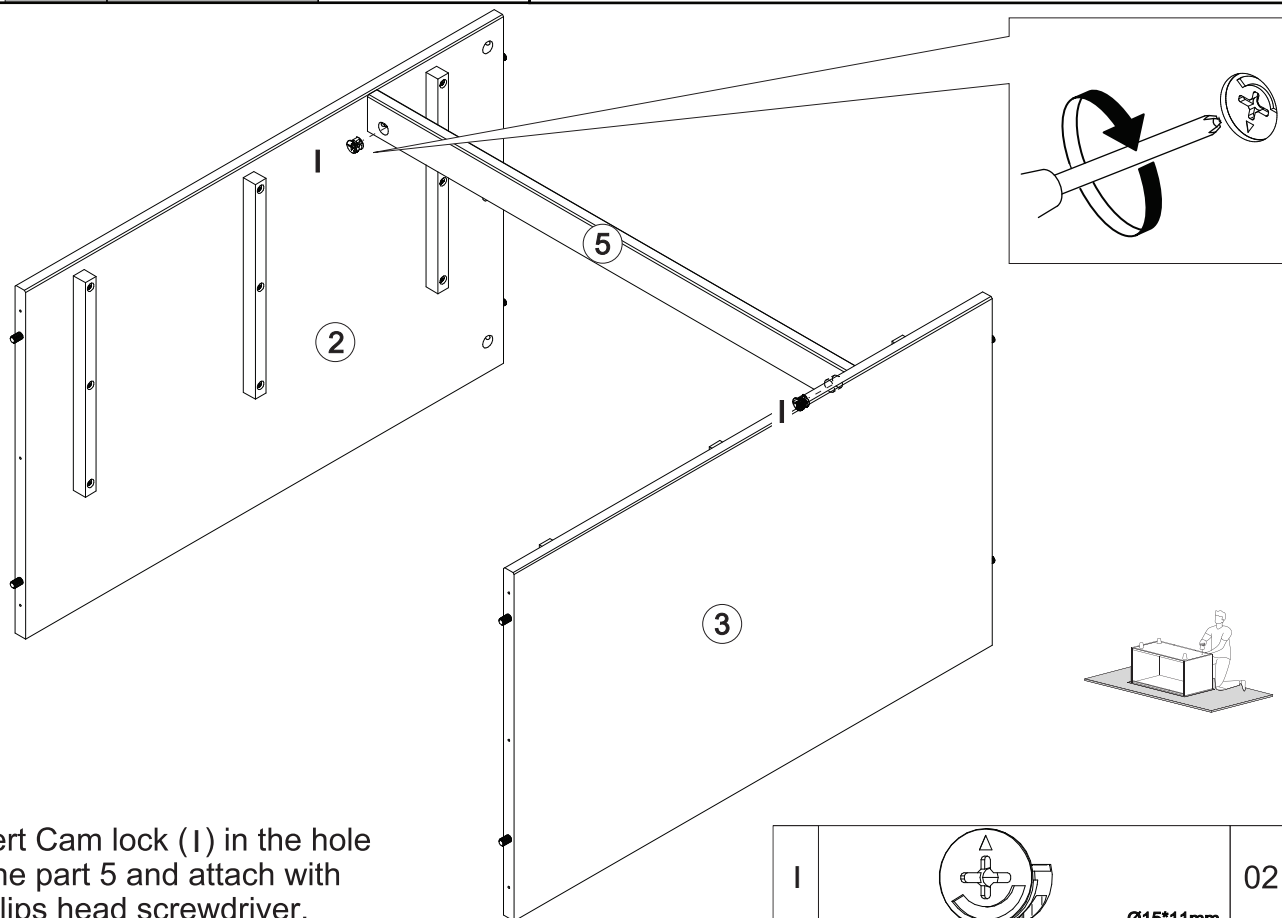
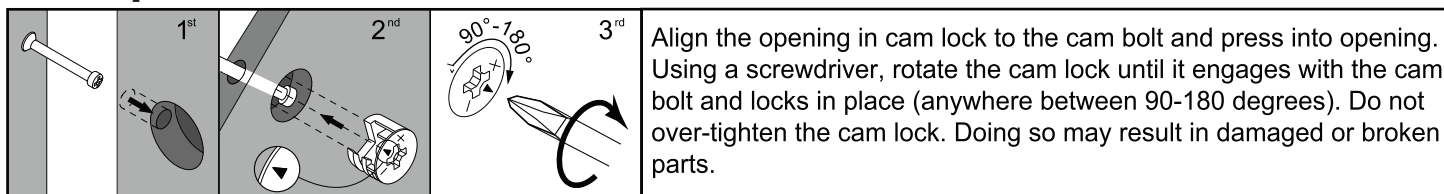
Secure parts 17 to part 2 and 3 with screw (C) and Phillips head screwdriver.



## Step 5

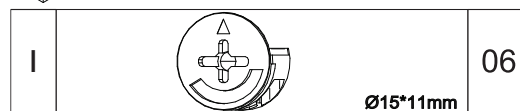
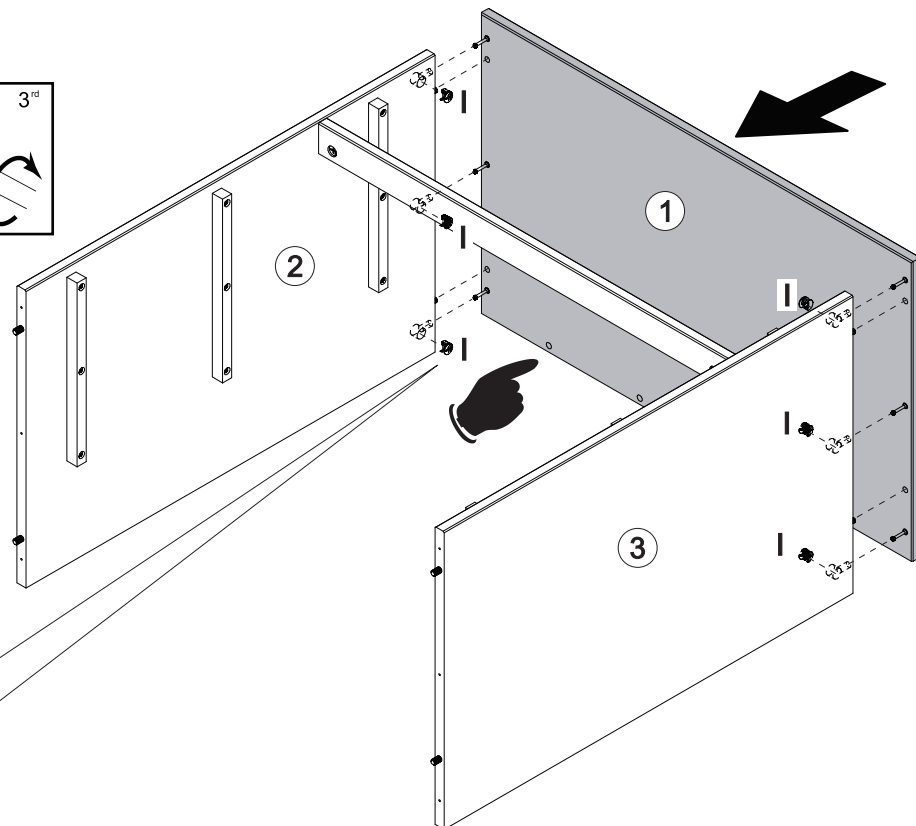
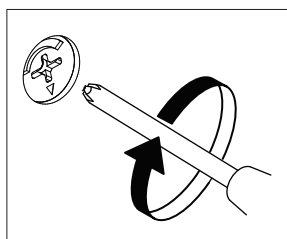
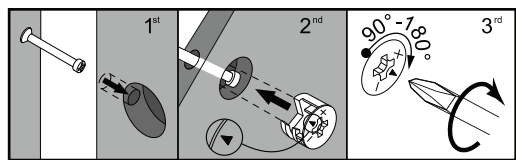


## Step 6



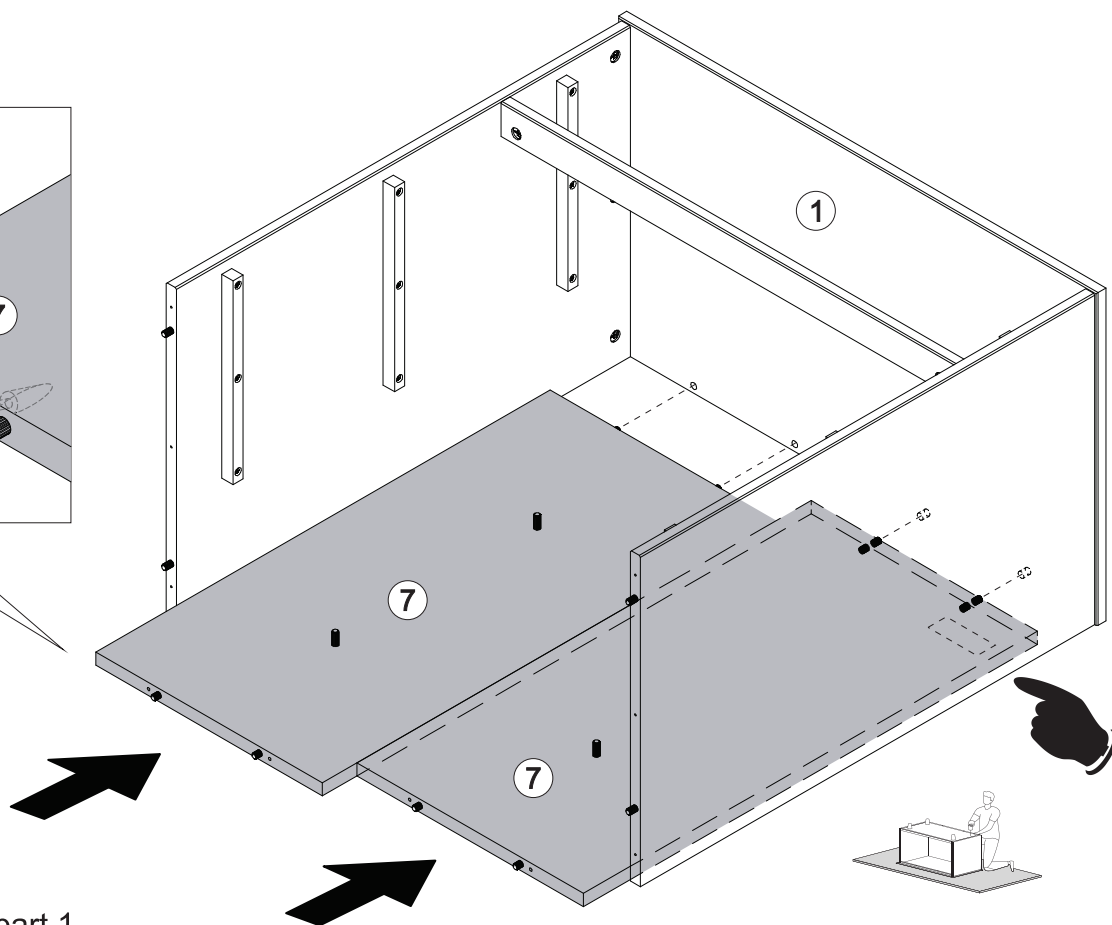
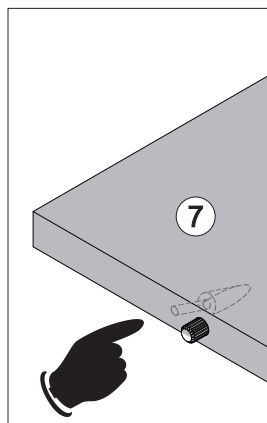


# Step 7



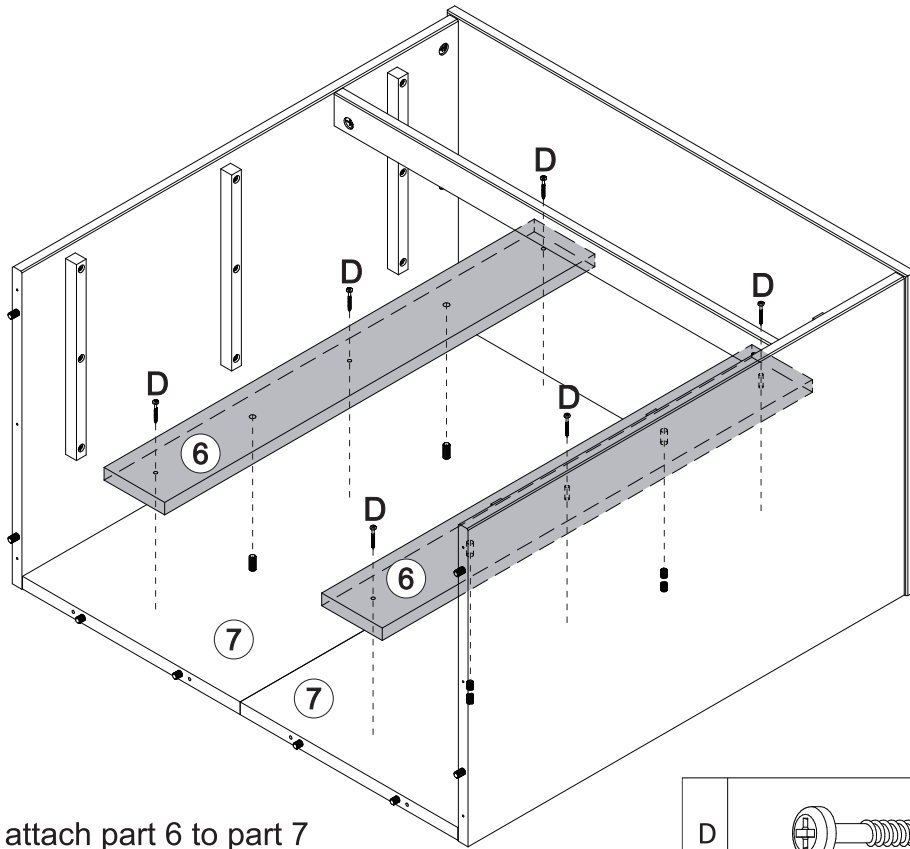
Attach part 1 to parts 2 and 3. Insert Cam lock (I) in the hole of the parts 2 and 3, and attach with Phillips head screwdriver.

# Step 8

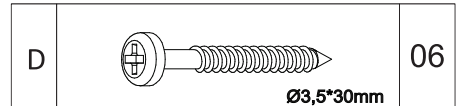


Attach part 7 to part 1.

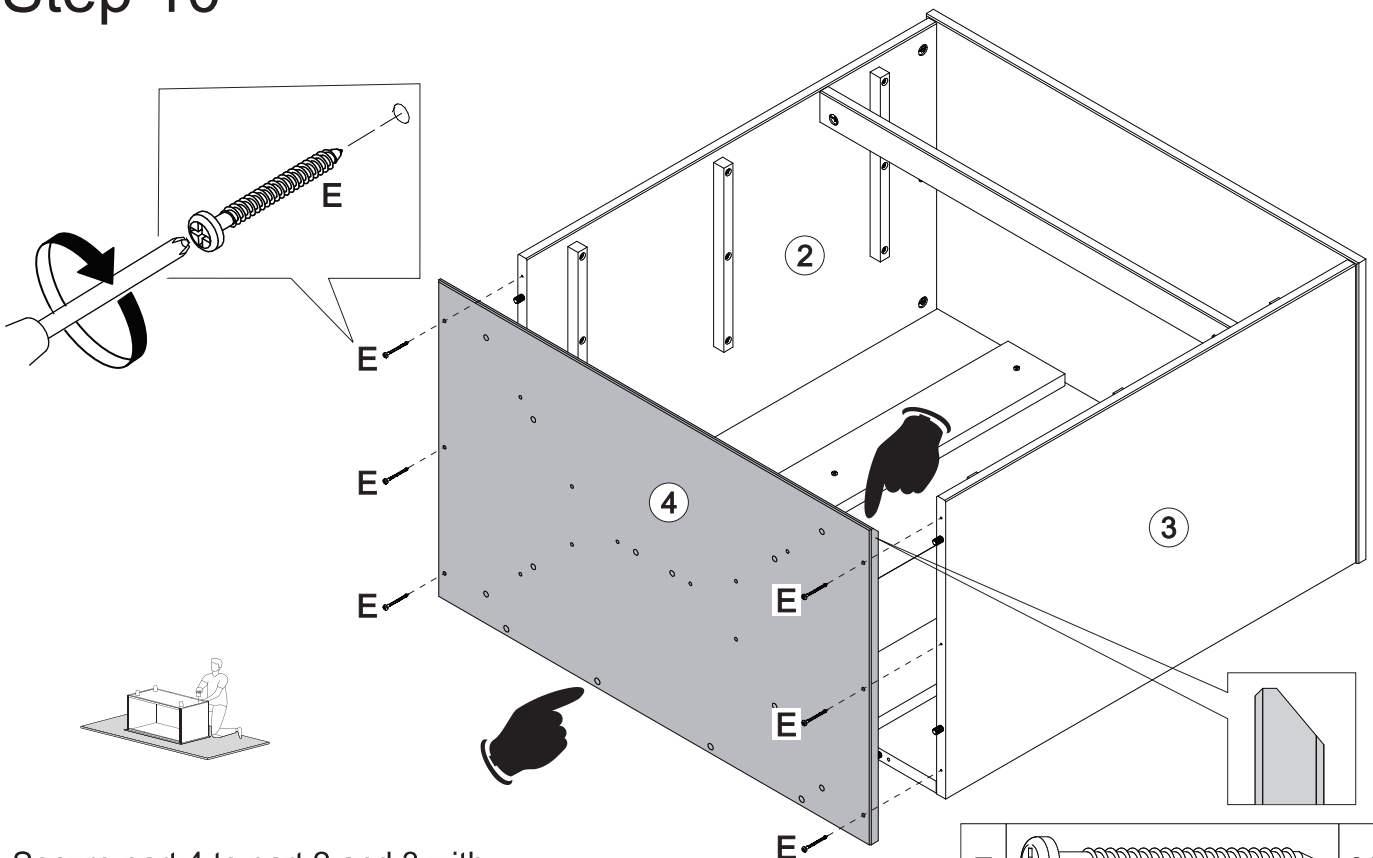
## Step 9



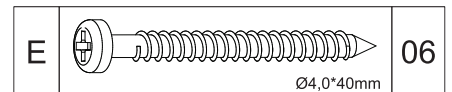
Use screw (D) to attach part 6 to part 7 with a Phillips head screwdriver.



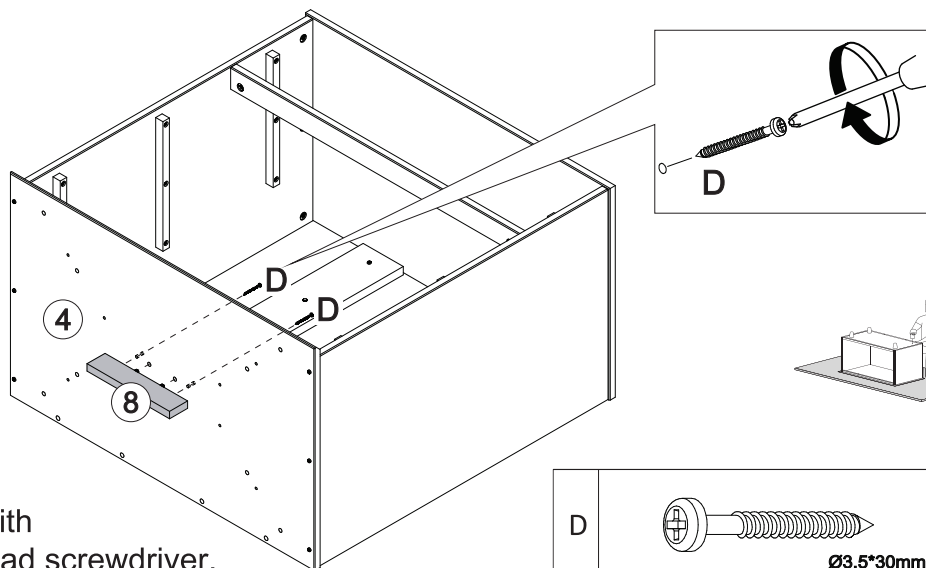
## Step 10



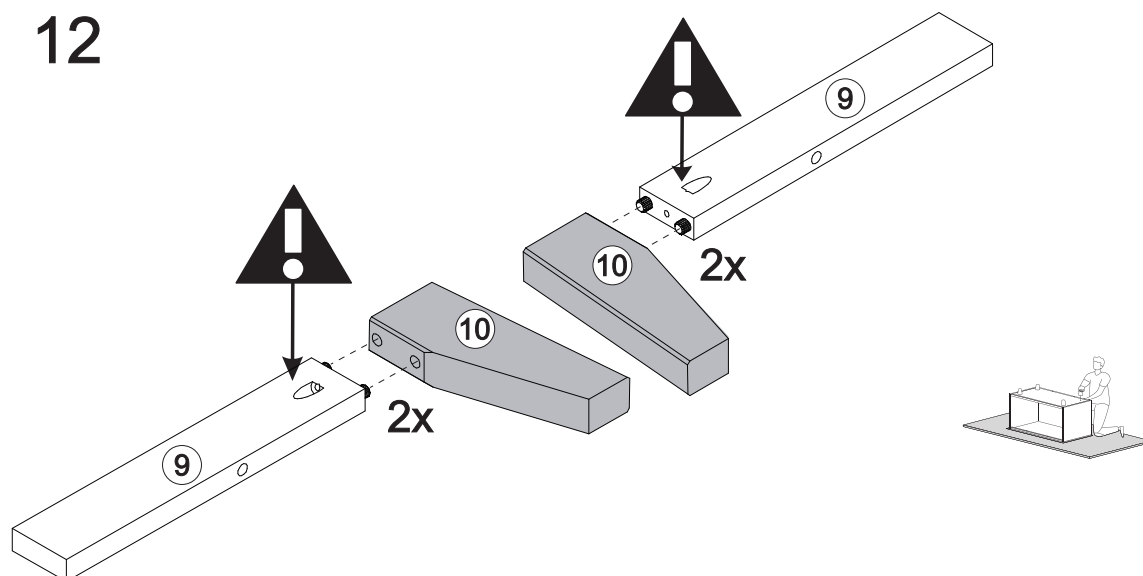
Secure part 4 to part 2 and 3 with screw (E) and Phillips head screwdriver.



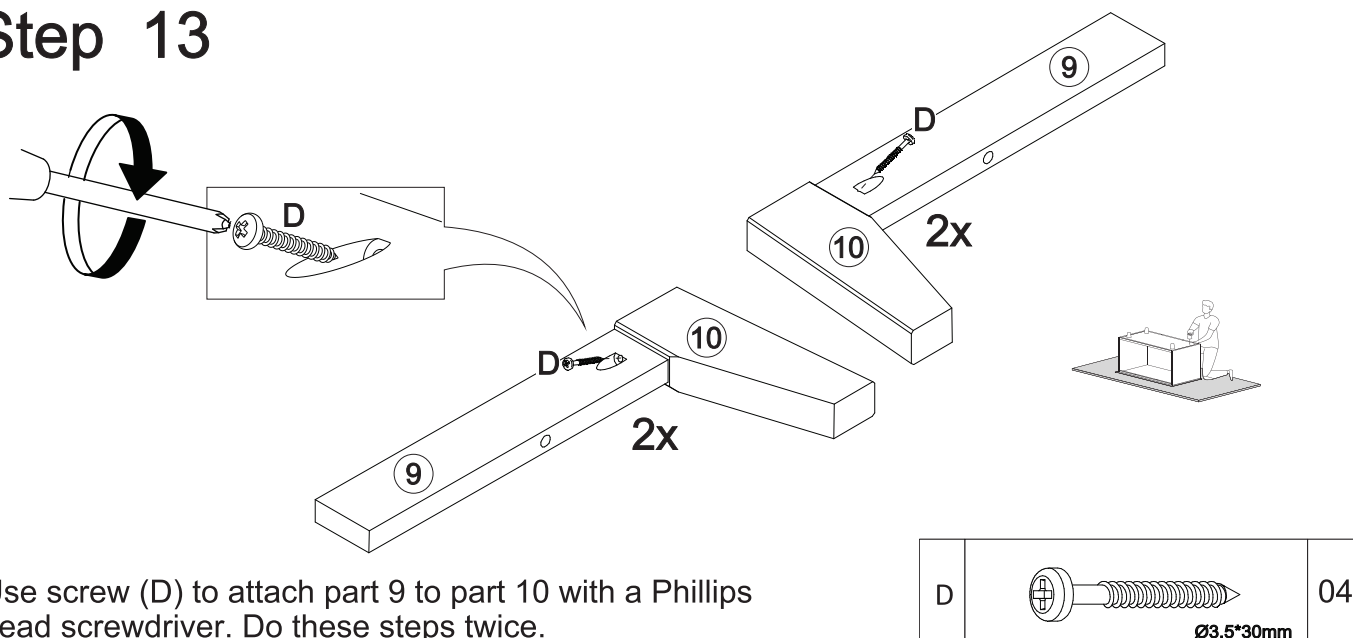
## Step 11



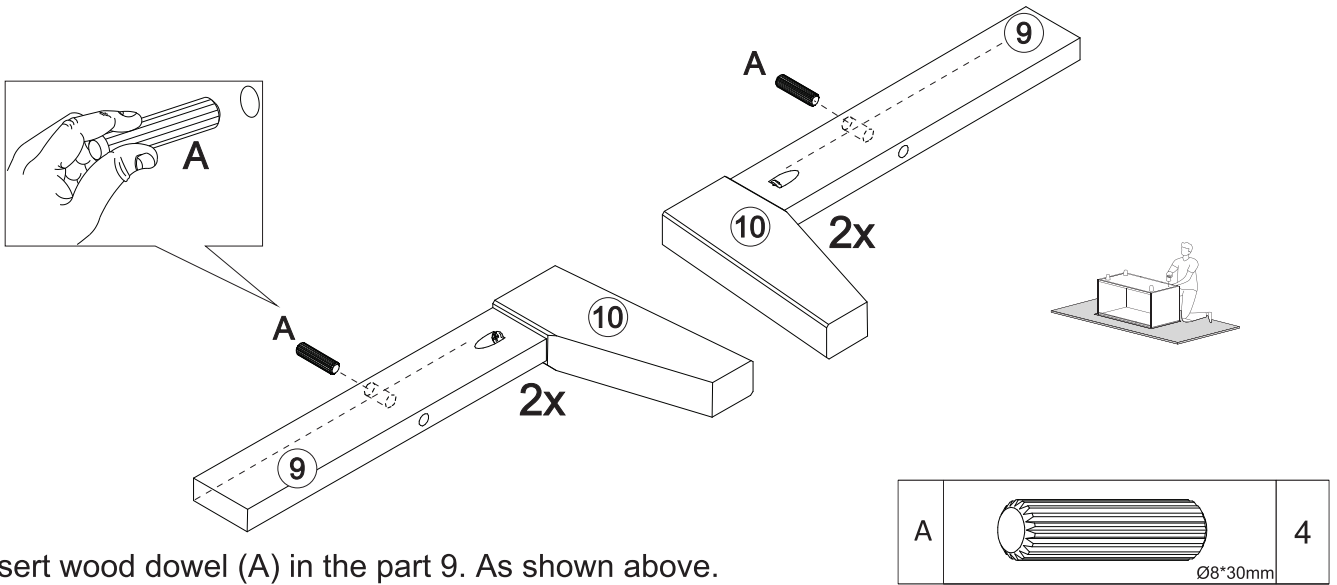
## Step 12



## Step 13

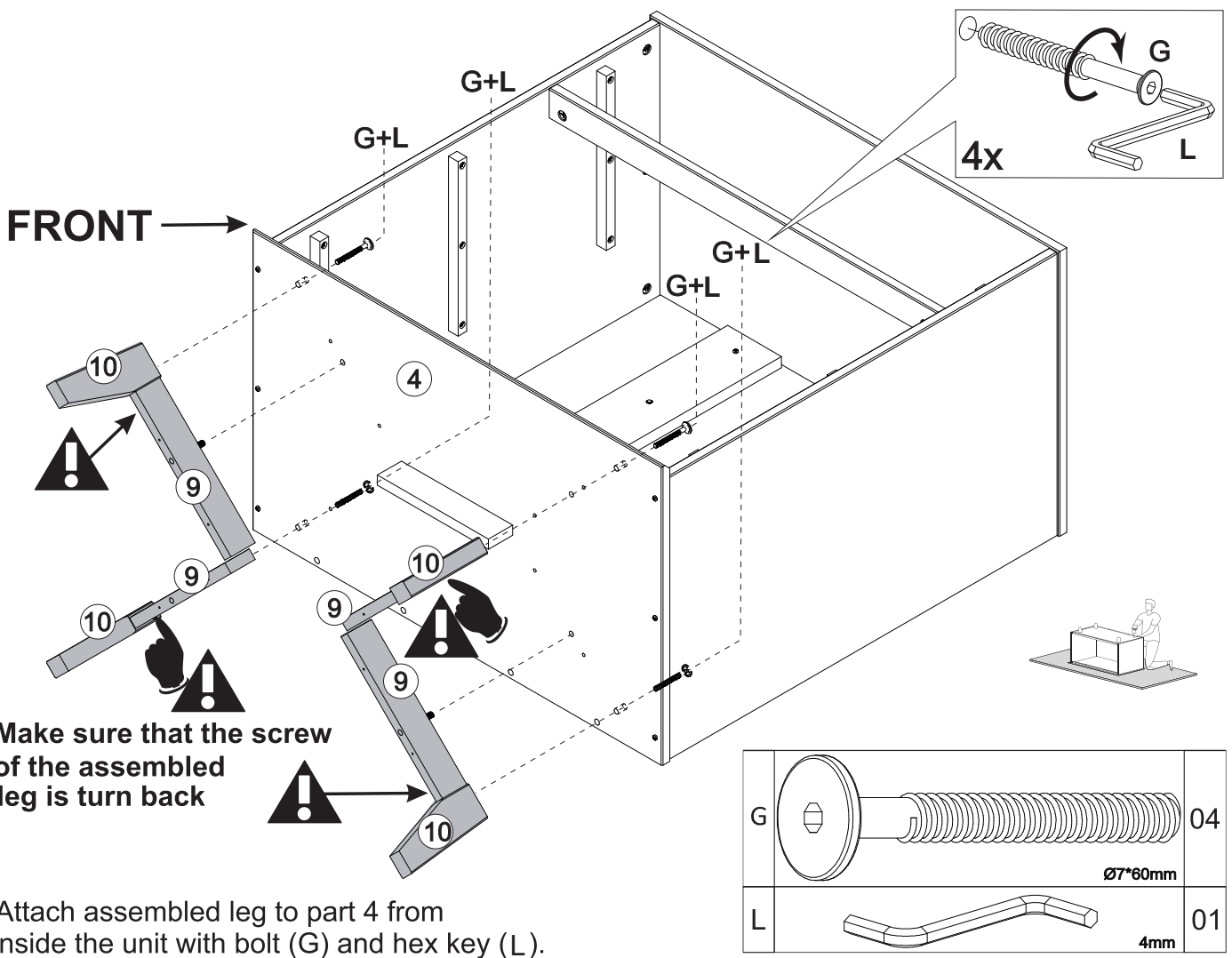


# Step 14



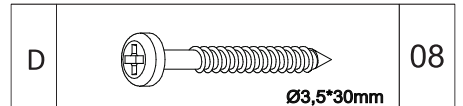
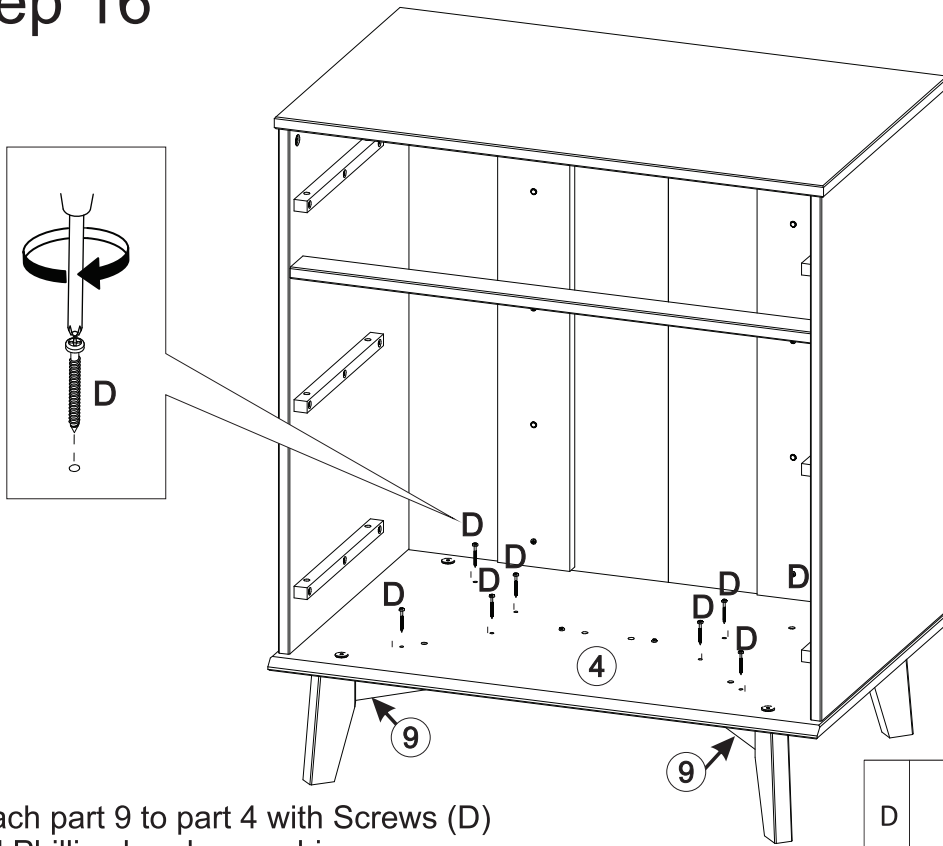
Insert wood dowel (A) in the part 9. As shown above.

# Step 15

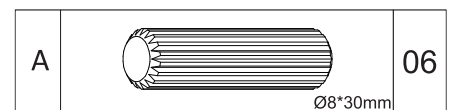
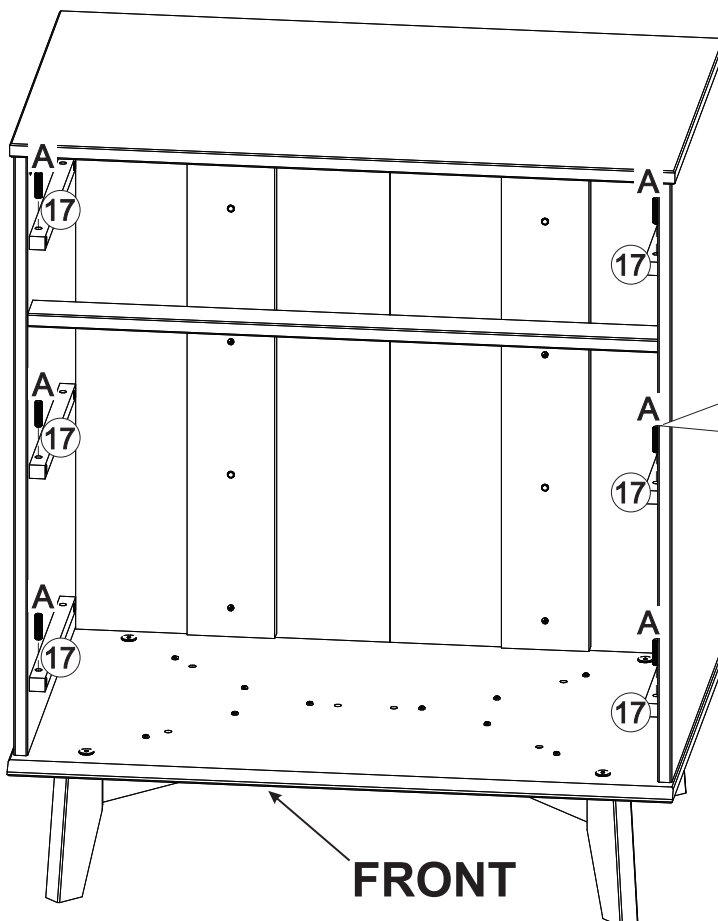


Attach assembled leg to part 4 from inside the unit with bolt (G) and hex key (L).

## Step 16



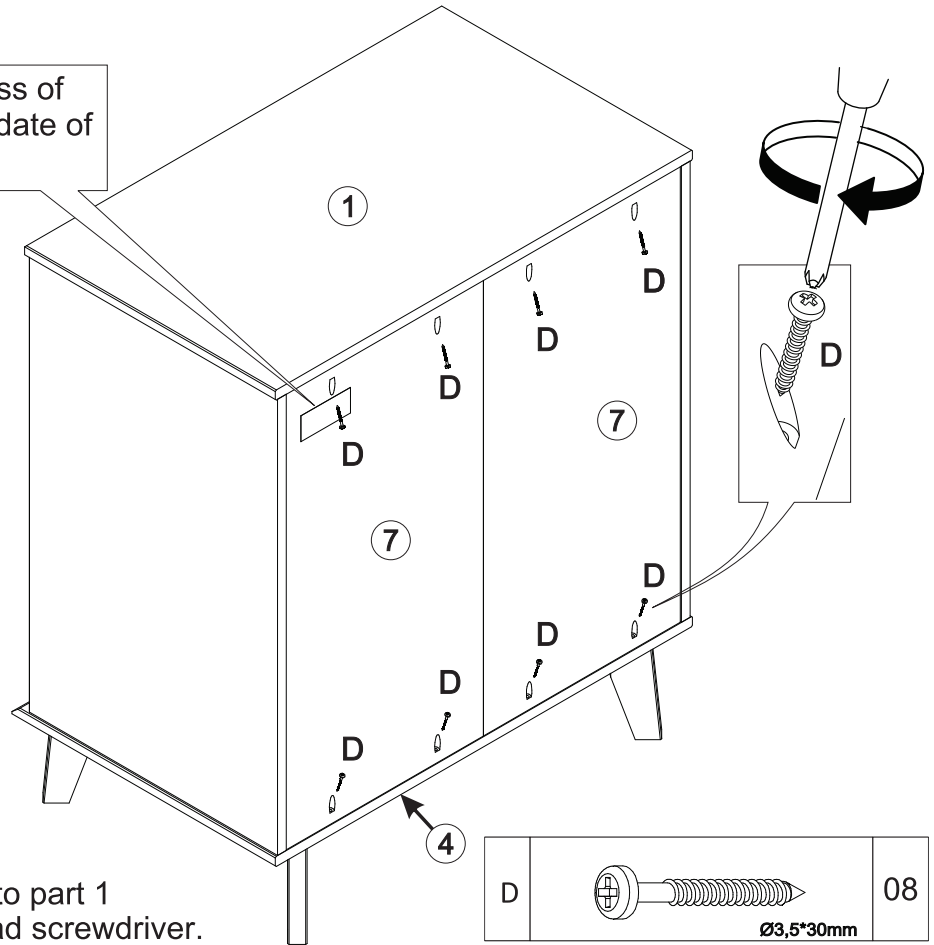
## Step 17



Insert wood dowel (A) into the front hole in the drawer rails 17.

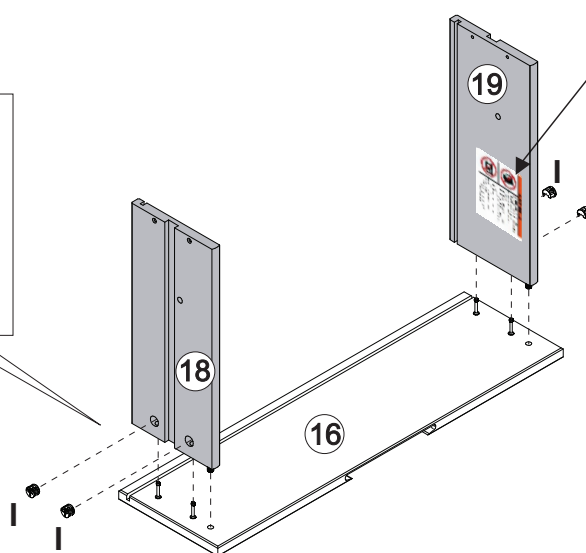
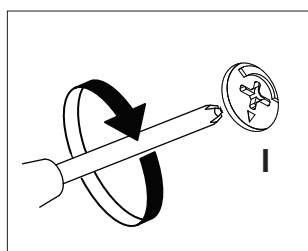
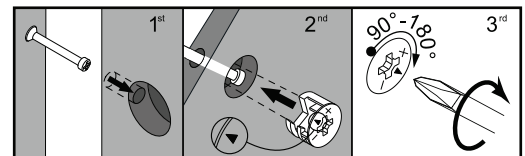
# Step 18

Name and address of the supplier and date of production.



Use screw (D) to attach part 7 to part 1 and to part 4 with a Phillips head screwdriver.

# Step 19

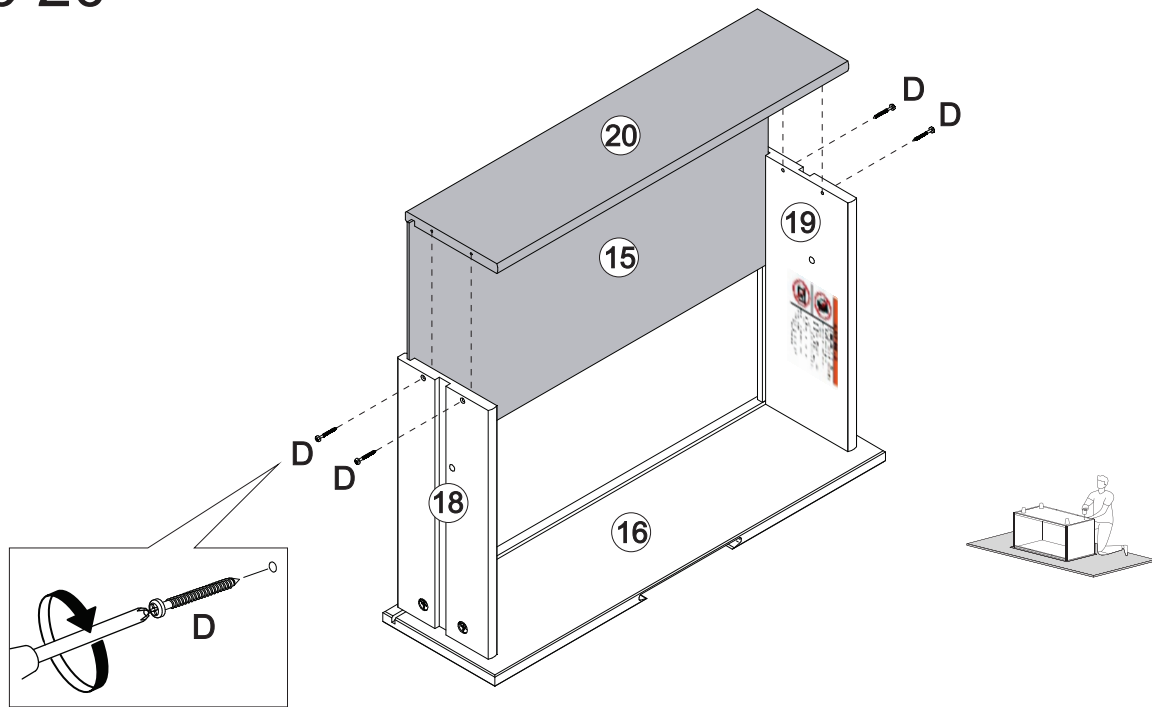


**WARNING**  
 Children have died from furniture tipover. To reduce the risk of furniture tipover:  
 • ALWAYS install Anti-tip device provided.  
 • NEVER put a TV on this product.  
 • NEVER allow children to stand, climb, or hang on any drawers, doors, or shelves.  
 • NEVER open more than one drawer at a time.  
 • Place heaviest items in the lowest drawers.  
 This is a permanent label. Do not remove!



Attach part 18 and 19 to part 16. Insert Cam lock (I) into the holes in the parts 18 and 19, and attach with Phillips head screwdriver.

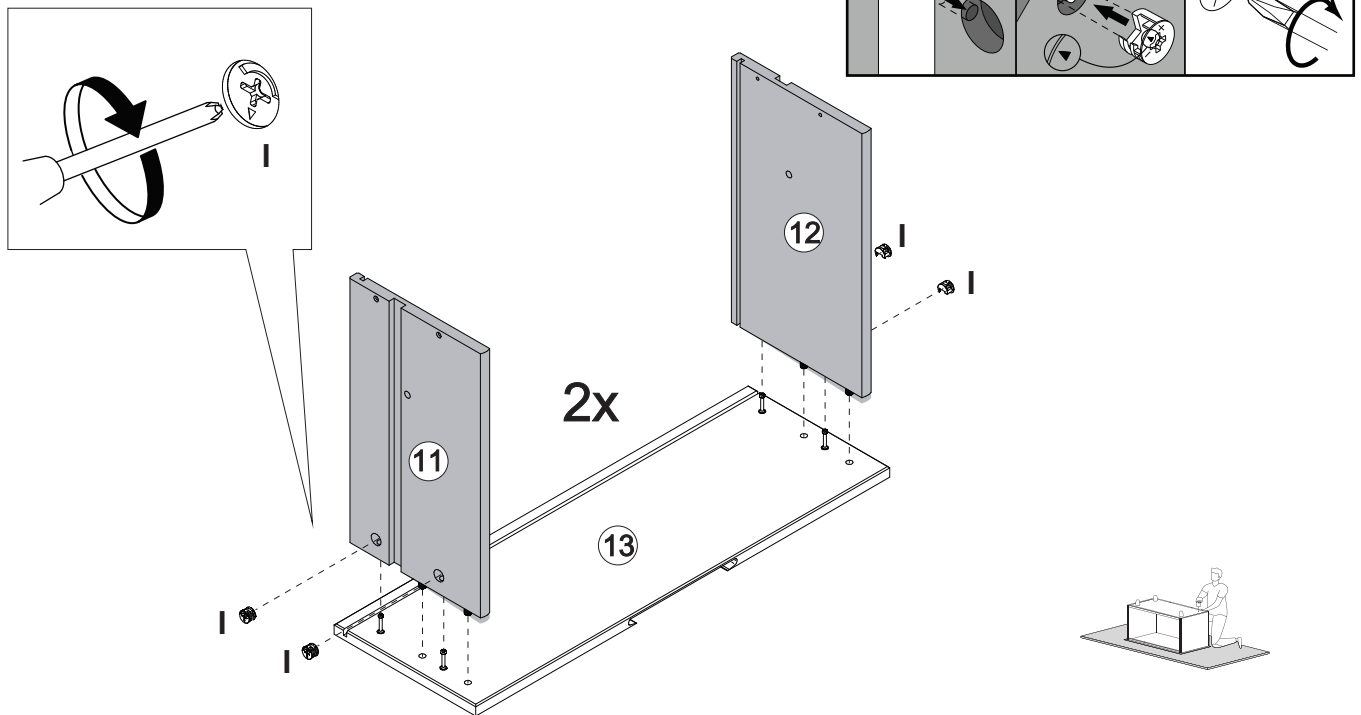
# Step 20



Insert panel 15 into grooves and secure part 20 with screws (D) and Phillips head screwdriver.

D		04
$\varnothing 3,5 \times 30 \text{mm}$		

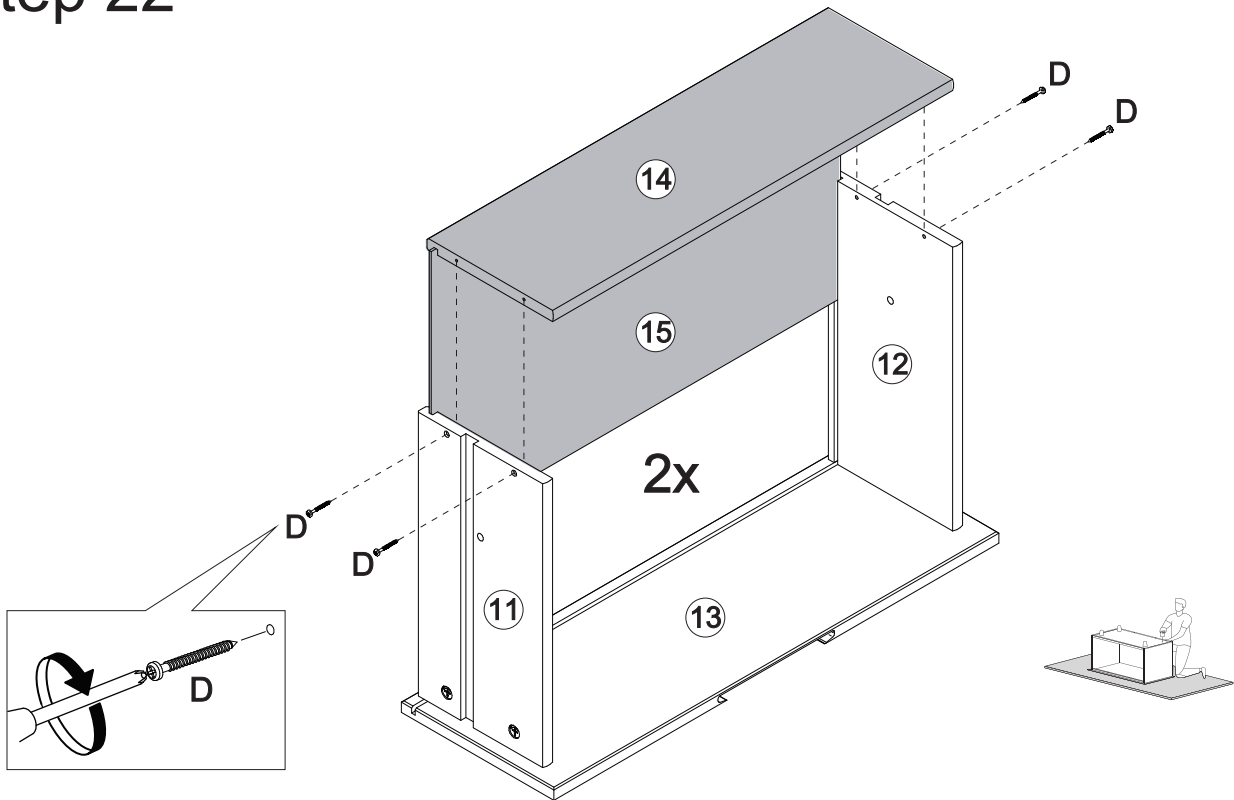
# Step 21



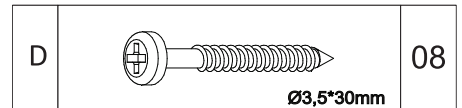
Attach part 11 and 12 to part 13. Insert Cam lock (I) into the holes in the parts 11 and 12, and attach with Phillips head screwdriver.

I		08
$\varnothing 15 \times 11 \text{mm}$		

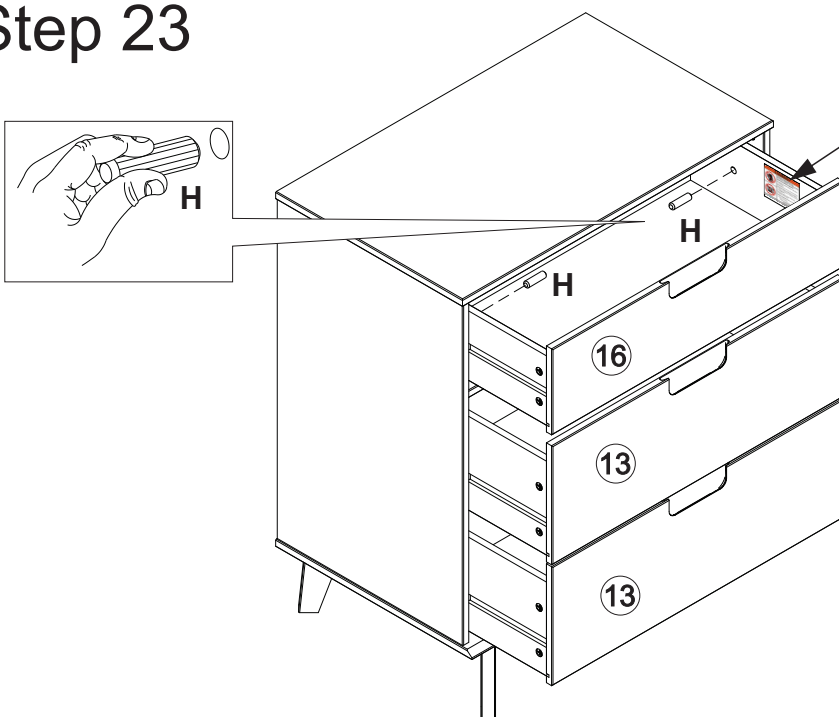
# Step 22



Insert panel 15 into groves and secure part 14 with screws (D) and Phillips head screwdriver.



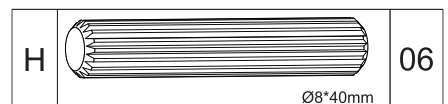
# Step 23



The side drawer with **WARNING LABEL**, should be mounted in highest drawer.



Insert wood dowel(H) on the inside of all drawers, with the drawer inside the unit after having passed the wood dowel that is in the drawer slide. The dowel is not flush with the panel, it is a little inside the drawer to help when you need to remove the lock dowel to remove the drawer.



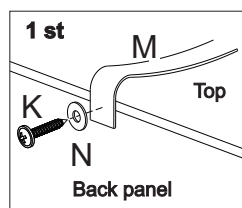


# Step 24

# WARNING

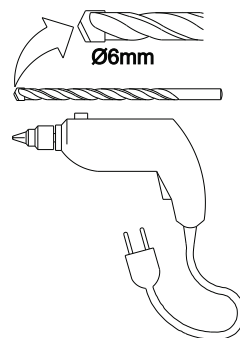
**Serious or fatal injuries can occur from furniture tipping over. To prevent the furniture from tipping over we recommend that it is permanently fixed to the wall.**

**Wall anchor and hardware are included with this product. Please make sure hardware is suitable for your walls before installing, as different wall materials may require different types of anchors.**



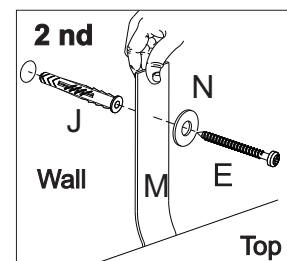
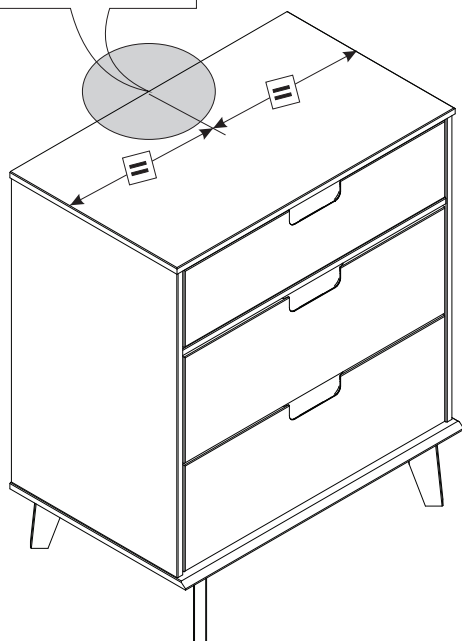
## ! 1st

Attach part (M) with screw (K) and washer (N), in the frame of superior panel unit using Phillips head screwdriver.

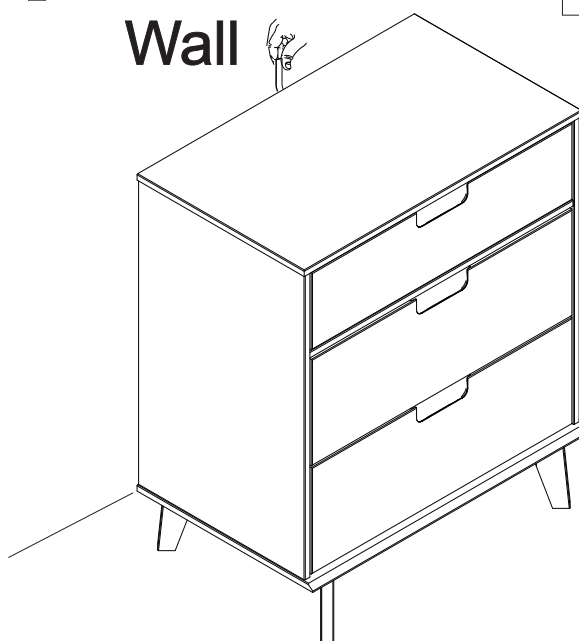


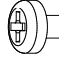
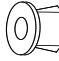



## ! 2nd

With drilling machine make one hole in the wall, insert part (J) in the hole. Secure part (M) with screw (E) and washer (N) in the wall using a Phillips head screwdriver.



Wall



E	 Ø4,0*40mm	01
J		01
K	 Ø4*16mm	01
M		01
N		02

Name and address information for the manufacturer responsible for the anti-tip hardware and date of production can be found on the label on the back of the furniture.

# Assembly Complete!

