

Installation and Care Guide

Freestanding Bath

Français, page "Français-1"
Español, página "Español-1"

THE BOLD LOOK
OF **KOHLER**®

1305896-2-B

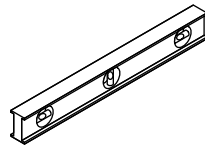
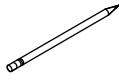
Tools and Materials



Silicone Sealant



Sealant Tape



Rubber Mallet

Plus:

- Drop Cloth
- Lifting Straps
- Shims
- 2x4s
- Common Woodworking Tools
- 1-1/2" PVC Pipe
[Approximately 6" (152 mm) Long]

Before You Begin



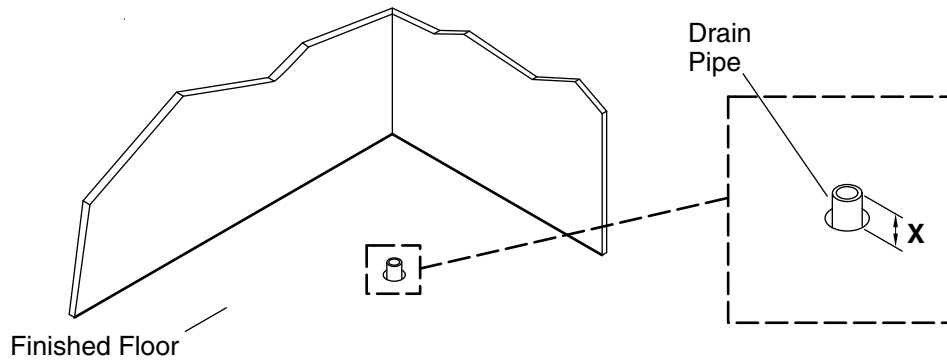
CAUTION: Risk of personal injury. This bath is extremely heavy. Obtain sufficient help **and** use lifting straps to carefully lift or move the bath.

IMPORTANT! To ensure a successful installation, install the bath on a level finished floor.

- Observe all local plumbing and building codes.

IMPORTANT! The drain components, drain cover, and gaskets are included in a small box within the carton. Make sure that you locate and retain the small box before discarding the carton and packing material.

- Unpack and inspect the bath and components for damage. Return the bath and components to the carton until installation.
- Make sure that all plumbing connections around the bath are easily accessible for future maintenance.
- Carefully plan moving the bath into the installation area. This bath is heavy and will not easily fit through doorways.
- Install the bath to an adequately supported, level finished floor.
- This bath is designed for freestanding installation only.
- This bath features an integral, cast overflow.
- Install a floor- or ceiling-mounted bath filler with this freestanding bath.
- Illustrations shown may not look like your actual product but they still apply to this installation.
- This bath conforms to CSA B45.5/IAPMO Z124. All dimensions are nominal.



Bath Model	"X" Dimension
K-1800	1-7/8" (48 mm) Min - 2-1/8" (54 mm) Max
K-8331	5/8" (16 mm) Min - 7/8" (22 mm) Max
K-8332	5/8" (16 mm) Min - 7/8" (22 mm) Max
K-8333	5/8" (16 mm) Min - 7/8" (22 mm) Max
K-8334	1-1/8" (29 mm) Min - 1-3/8" (35 mm) Max
K-8335	1/2" (13 mm) Min - 3/4" (19 mm) Max
K-8336	1/2" (13 mm) Min - 3/4" (19 mm) Max
K-8337	1/2" (13 mm) Min - 3/4" (19 mm) Max

1. Prepare the Site

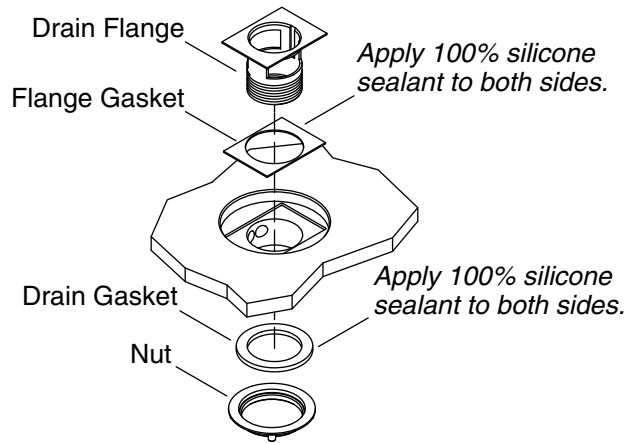
NOTICE: Provide adequate floor support.

NOTICE: Measure your product for site preparation. Note the **model number** located on the packaging label, then visit the product page at kohler.com for additional information.

- Determine the location of the bath.
- Make sure that the subfloor offers adequate support for the bath.
- Ensure that the subfloor is level.

IMPORTANT! To ensure a successful installation, install the bath on a level finished floor.

- Position and install a standard PVC or brass drain pipe. Install the drain pipe so it extends "X" above the finished floor. Refer to the table for the "X" dimension.



2. Install the Drain



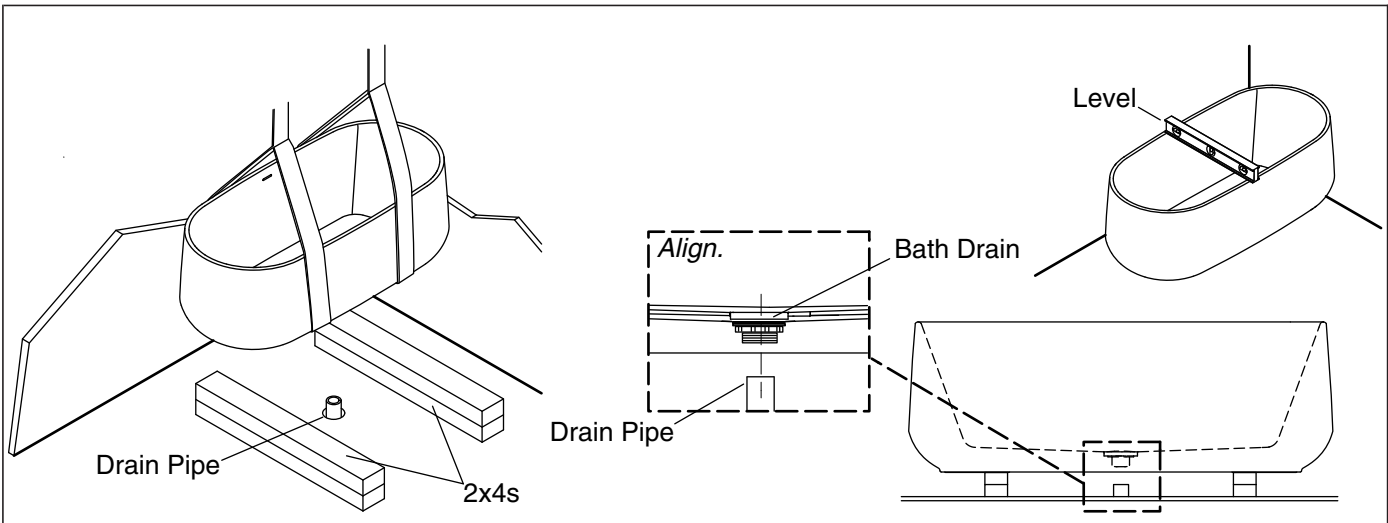
CAUTION: Risk of personal injury. This bath is extremely heavy. Obtain sufficient help **and** use lifting straps to carefully lift or move the bath.

NOTE: If your model has a factory-installed drain, go to the "Install the Bath" section.

- Place a drop cloth on the floor.
- With help, use lifting straps to carefully place the bath on its side.

NOTE: The gaskets are included in a small box located within the bath carton.

- Apply 100% silicone sealant to both sides of the flange gasket and drain gasket to act as a lubricant.
- Apply sealant tape to the drain flange threads.
- Install the flange gasket, drain flange, drain gasket to the bath. Secure the drain flange with the nut.



3. Install the Bath

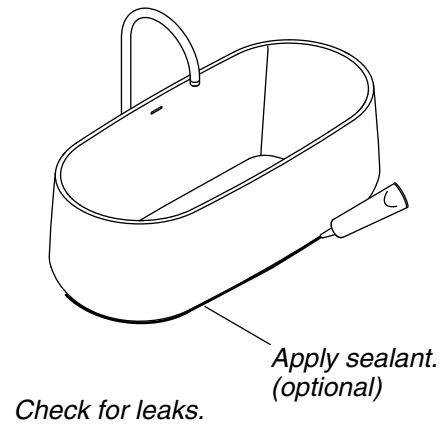
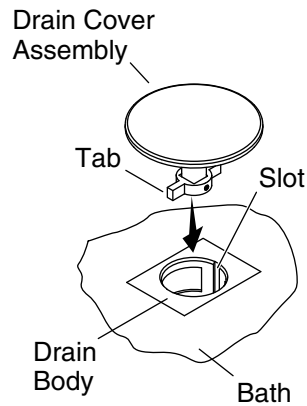
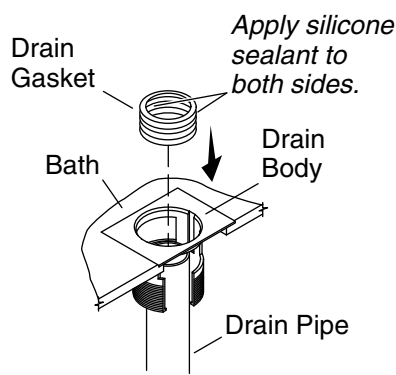


CAUTION: Risk of property damage. For baths with factory-installed drains, make sure the connections have not become loose during shipping. Tighten as needed to prevent leakage.



CAUTION: Risk of personal injury. This bath is extremely heavy. Obtain sufficient help **and** use lifting straps to carefully lift or move the bath.

- Stack together two 6' (1.8 m) lengths of 2x4 lumber. Secure each set of stacked 2x4s together with nails or screws.
- Position the stacked 2x4s on each side of the drain pipe to temporarily support the bath.
- With help, use lifting straps to carefully lift the bath into position on the 2x4s so the bath drain is over the drain pipe.
- Carefully reposition the bath as needed so the bath drain is directly over the drain pipe.
- Use lifting straps and get additional assistance to remove the 2x4 supports and carefully set the bath on the floor. Adjust the bath position as needed to ensure that the drain pipe is in the center of the bath drain hole.
- Verify that the bath is level. Install shims as needed.



4. Install the Plumbing



CAUTION: Risk of property damage. Make sure a watertight seal exists on all bath drain connections.

Make the Drain Connections

NOTE: The drain cover is included in a small box located within the carton.

- Choose the thin drain gasket for PVC drain pipes or the thick gasket for brass pipes.
- Apply 100% silicone sealant to the inside and outside surfaces of the drain gasket to act as a lubricant.
- Install the drain gasket onto the drain pipe. Use a rubber mallet and 1-1/2" PVC tubing to seat the gasket into the drain flange.

CAUTION: The edges of drain flange openings may be sharp.

NOTE: Make sure there is no interference with the drain gasket and the drain flange openings. The gasket must sit below the drain flange slots for the drain cover to work properly.

- Reassemble the drain cover assembly. Line up the tabs on the drain cover with the slots in the drain body and insert the drain cover assembly.
- Press the drain cover several times to make sure the drain opens and closes properly.

Apply Sealant - Optional

- If desired, apply a thin, continuous bead of clear or color-matched silicone sealant to the seam between the bath and the finished floor.

Install the Bath Filler

- Install the faucet valve and trim according to the faucet manufacturer's instructions.
- Close the bath drain. Fill the bath to the overflow, and check for leaks.

Care and Cleaning

For best results, keep the following in mind when caring for your KOHLER product:

- Always test your cleaning solution on an inconspicuous area before applying to the entire surface.
- Wipe surfaces clean and rinse completely with water immediately after applying cleaner. Rinse and dry any overspray that lands on nearby surfaces.
- Do not allow cleaners to soak on surfaces.

Care and Cleaning (cont.)

- Use a soft, dampened sponge or cloth. Never use an abrasive material such as a brush or scouring pad to clean surfaces.

For detailed cleaning information and products to consider, visit www.kohler.com/clean. To order Care & Cleaning information, call 1-800-456-4537.

Removing Minor Surface Damage

Your solid surface acrylic bath is strong and durable, and will provide you with years of satisfaction. If you observe stains or minor scratches in the acrylic surface, follow these steps to quickly repair your bath.

IMPORTANT! This repair procedure is not appropriate for deep scratches, gouges, or chips. For damage of that nature please contact Kohler Co. or a local solid surface repair professional.

NOTE: We recommend wet sanding to extend the life of the sandpaper, although dry sanding will produce the same quality repair.

NOTE: Use 400 grit sandpaper to remove scratches and stains.

- Apply flat, even pressure with the sandpaper and move the paper in a circular pattern.
- Inspect your progress frequently to ensure a quality repair.
- Clean or replace the sandpaper as needed during the repair.
- When the damage is repaired, polish the area with clean 600 grit sandpaper. Use a steady circular motion to polish the repaired surface and surrounding area to restore the bath to its original finish.
- When you are finished, rinse the bath surface with clean water to remove any sanding dust and debris. Use a clean cloth to dry the bath surface.

Warranty

ONE-YEAR LIMITED WARRANTY

KOHLER plumbing products are warranted to be free of defects in material and workmanship for one year from date of installation.

Kohler Co. will, at its election, repair, replace or make appropriate adjustment where Kohler Co. inspection discloses any such defects occurring in normal usage within one (1) year after installation. Kohler Co. is not responsible for removal or installation costs. **Use of in-tank toilet cleaners will void the warranty.**

To obtain warranty service contact Kohler Co. either through your Dealer, Plumbing Contractor, Home Center or E-tailer, or by writing Kohler Co., Attn.: Customer Care Center, 444 Highland Drive, Kohler, WI 53044, USA, or by calling 1-800-4-KOHLER (1-800-456-4537) from within the USA and Canada, and 001-800-456-4537 from within Mexico, or visit www.kohler.com within the USA, www.ca.kohler.com from within Canada, or www.mx.kohler.com in Mexico.

IMPLIED WARRANTIES INCLUDING THAT OF MERCHANTABILITY AND FITNESS FOR A PARTICULAR PURPOSE ARE EXPRESSLY LIMITED IN DURATION TO THE DURATION OF THIS WARRANTY. KOHLER CO. AND/OR SELLER DISCLAIM ANY LIABILITY FOR SPECIAL, INCIDENTAL OR CONSEQUENTIAL DAMAGES. Some states/provinces do not allow limitations on how long an implied warranty lasts, or the exclusion or limitation of special, incidental or consequential damages, so these limitations and exclusions may not apply to you. This warranty gives you specific legal rights. You may also have other rights which vary from state/province to state/province.

This is Kohler Co.'s exclusive written warranty.