

Location:




4702-TRM, 4702TRMTC
Tub/Shower Trim
Specification Submittal



Feature Highlights

- Allura Tub/Shower Trim
- Requires Temptrol® Pressure Balancing Tub/Shower Valve
- Metal lever handle
- 5-1/2" diverter tub spout
- 3 mode showerhead
- 2.0 gpm (7.6 L/min) flow restrictor
- Components shall be metal and nonmetallic construction, plated in standard Polished Chrome finish
- Available with TA-10 flow control spindle and T-12A cap assembly for Temptrol valve bodies installed with Test Cap (order p/n 4702TRMTC)

Options/Modifications

- 1.5**  1.5 gpm (5.7 L/min) flow restrictor
- L1** Less showerhead
- STN** Satin Nickel finish
- L7** Less Handle

Note: Append appropriate -suffix to model number.

Warranty

Limited Lifetime - to the original end purchaser in consumer/residential installations.

10 Years - for commercial/industrial installations. Refer to www.symmons.com/warranty for complete warranty information.



Model Numbers

- 4702-TRM**
Tub/Shower Trim, Temptrol Pressure Balancing Tub/Shower Valve ordered separately
- 4702TRMTC**
Tub/Shower Trim with TA-10 flow control spindle and T-12A cap assembly, must order Temptrol valve with Test Cap

Compliance

- ASME A112.18.1/CSA B125.1

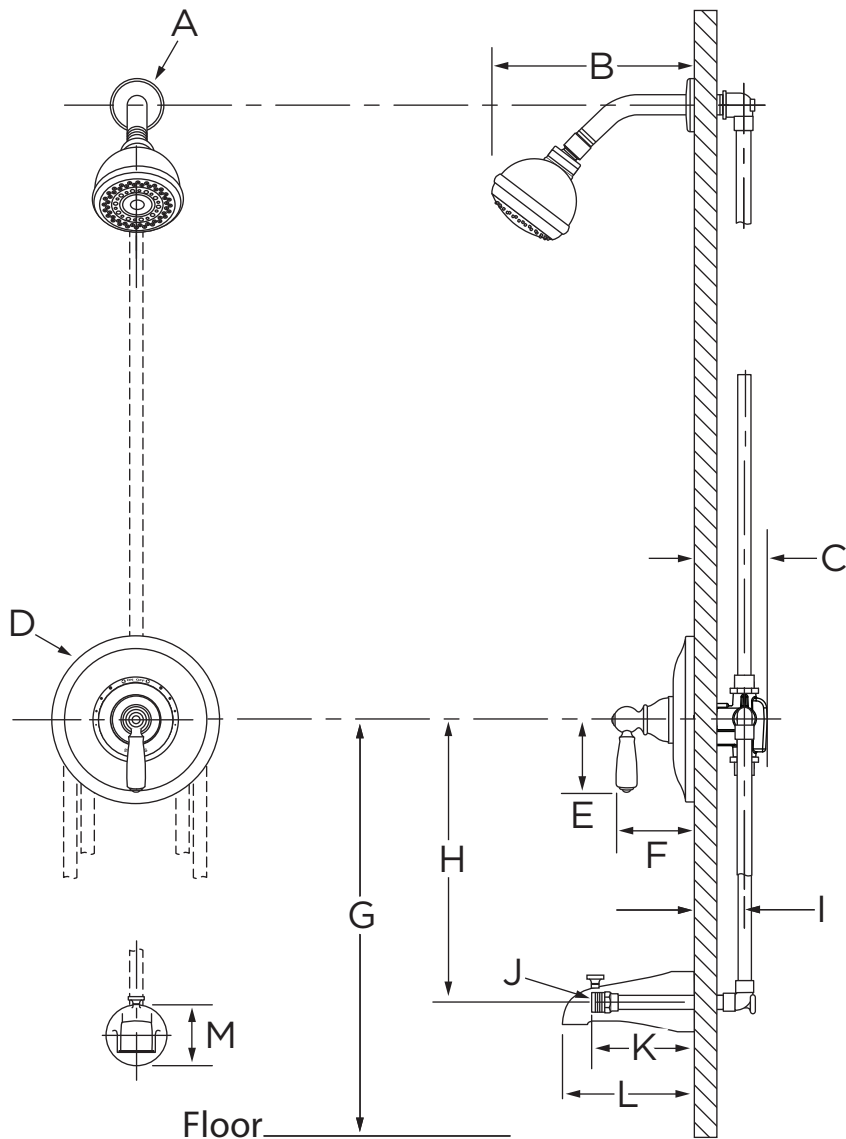


Architectural/ Engineering Specification

Symmons Allura _____ With Allura Tub/Shower Trim, Requires Temptrol® Pressure Balancing Tub/Shower Valve, Metal lever handle, 5-1/2" diverter tub spout, 3 mode showerhead, 2.0 gpm (7.6 L/min) flow restrictor, Components shall be metal and nonmetallic construction, plated in standard Polished Chrome finish, Available with TA-10 flow control spindle and T-12A cap assembly for Temptrol valve bodies installed with Test Cap (order p/n 4702TRMTC). 10 Year Commercial Warranty. ASME A112.18.1/CSA B125.1, complaint. Available options include: "1.5 - 1.5 gpm (5.7 L/min) flow restrictor", "STN - Satin Nickel finish, "L7 - Less Handle.

4702-TRM, 4702TRMTC

Dimensions



Measurements	
A	Ø 2-1/2", 64 mm
B	6-3/4", 172 mm
C	3-1/2", 89 mm
D	Ø 7", 178 mm
E	3-1/8", 79 mm
F	4", 102 mm
G	Ref. 32", 813 mm
H	Ref. 12", 305 mm
I	Rough-in 2-3/8" ± 1/2", 60 mm ± 13 mm
J	1/2" NPT
K	4", 102 mm
L	5-1/2", 140 mm
M	2-1/2", 64 mm

Notes:

- 1) Valve body and piping not included and shown as reference only.
- 2) Plaster shield (p/n T-176) for dry wall, plaster or other type walls 1/2" or greater.
- 3) All dimensions measured from nominal rough-in (see I as reference).
- 4) Dimensions subject to change without notice.