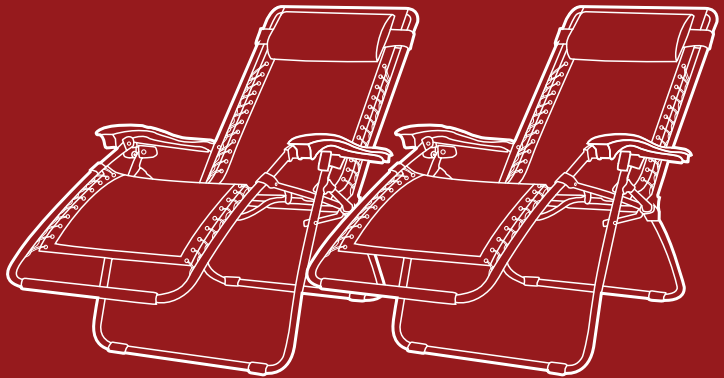




BEST CHOICE
PRODUCTS



INSTRUCTION MANUAL

Set of 2 XL 30" Wide Zero
Gravity Chair

SKY11341 + SKY11342 + SKY11343 + SKY11344 + SKY11345 + SKY11346
SKY11347 + SKY11348 + SKY11349 + SKY11350 + SKY11351 + SKY11352
SKY11353 + SKY11354 + SKY11355 + SKY11356 + SKY11357 + SKY11358
SKY11359 + SKY11360 + SKY11361 + SKY11362 + SKY11363 + SKY11364
SKY11365 + SKY11366 + SKY11367 + SKY11368 + SKY11369 + SKY11370

SKY11371 + SKY11372



**BEST CHOICE
PRODUCTS**

As shoppers, we're always trying to find the perfect balance between quality & value. At BCP, we believe we've achieved that. Our diverse catalog of everyday essentials is tailored especially to our customers & guaranteed to hit that sweet spot of high quality & low price.

— Always. —

! NOTICE Please retain these instructions for

- Please do not exceed the weight limitations of this item.
- Do not stand on or use any part of this item as a step ladder.
- Do not use or store this item in proximity of open flame or flammable/combustible chemicals.
- If any parts are missing, broken, damaged, or worn, stop using this product until repairs are made and/or factory replacement parts are installed.
- Do not use this item in a way inconsistent with the manufacturer's instructions as this could void the product warranty.
- This product is intended for residential use only.



300 LBS
CAPACITY



1 PERSON
ASSEMBLY

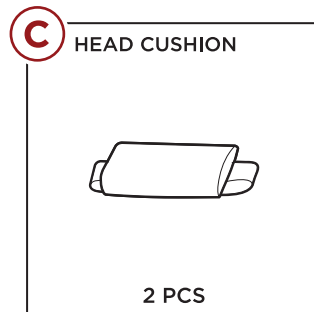
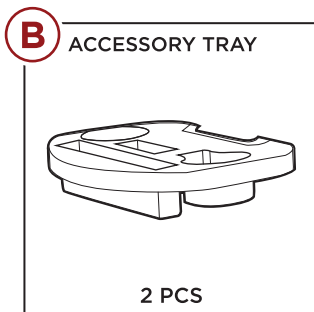
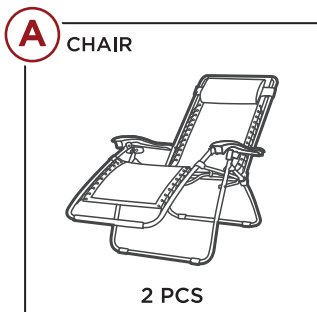


UP TO 5 MIN.
ASSEMBLY

CALIFORNIA PROPOSITION 65

! WARNING: This product can expose you to chemicals including Lead and lead compounds, which is known to the State of California to cause cancer and birth defects or other reproductive harm. For more information go to www.P65Warnings.ca.gov

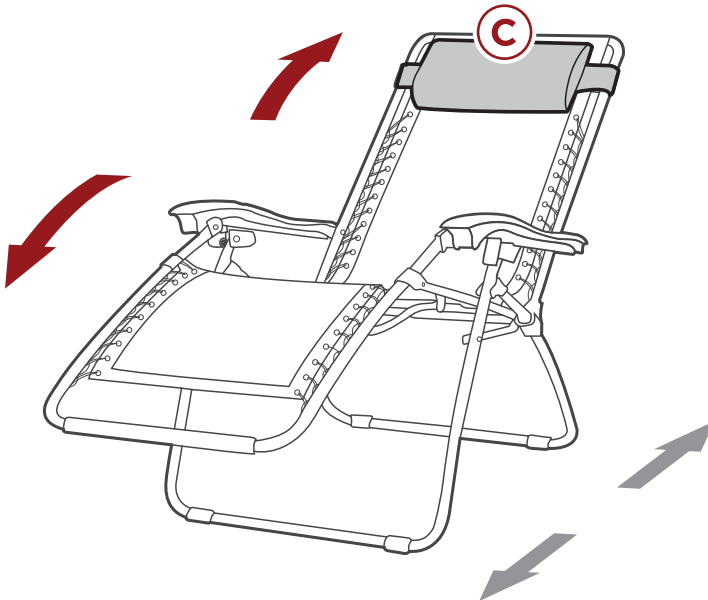
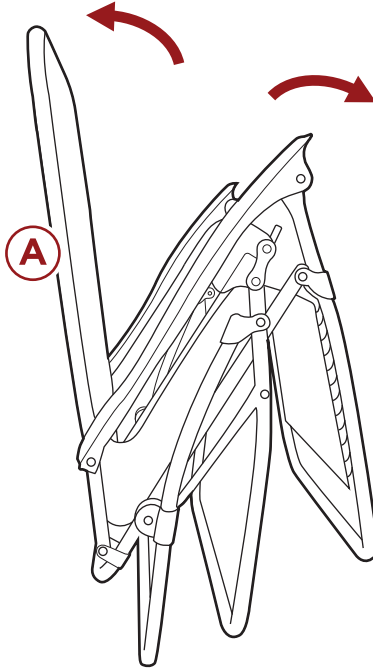
PARTS



PRODUCT ASSEMBLY

1

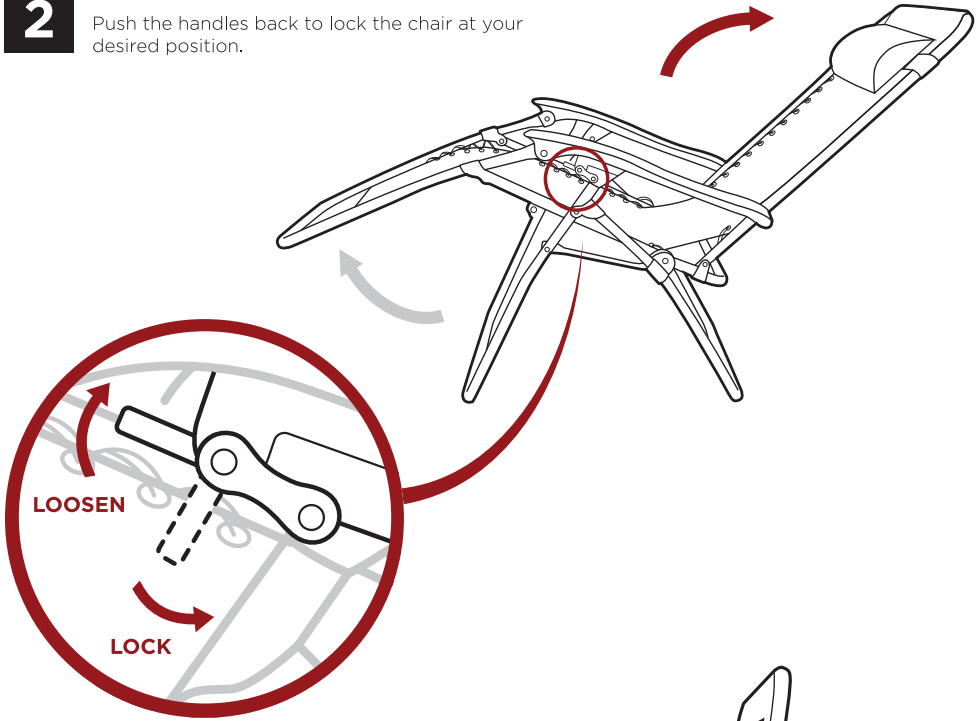
Place the folded **part A chair** upright, then place your hands on the top bar and the armrest, then push to spread the chair open. Loop the **part C headrest** onto the **part A chair**.



PRODUCT ASSEMBLY

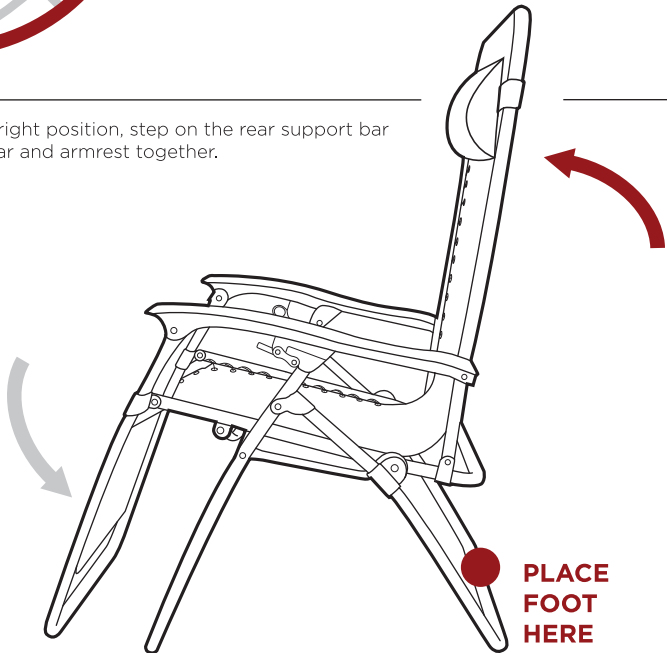
2

Lift the handles up on both sides and recline the chair.
Push the handles back to lock the chair at your desired position.



3

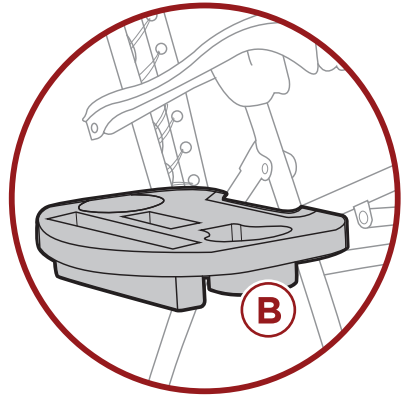
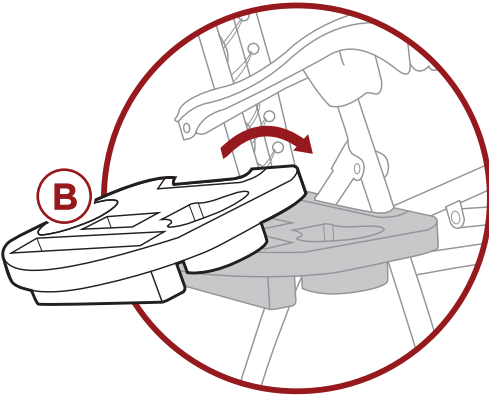
To return to an upright position, step on the rear support bar and pull the top bar and armrest together.



ACCESSORY TRAY

To install the **part B accessory tray**, slide the tray over the leg hinge and push down to lock it in place.

NOTE: Remove the accessory tray before folding the chair.



Earn points while you shop. Join today!

bestchoiceproducts
rewards

Join | Earn | Redeem

Give your friends 15% off their first order! For each successful referral you'll receive 100 points.

bestchoiceproducts.com



HELP CENTER



Question about your product? We're here to help. Visit us at:

help.bestchoiceproducts.com



Chat Support



Product Inquiry



Orders FAQ



Product Assembly



Returns & Refunds

PRODUCT WARRANTY INFORMATION

All items can be returned for any reason within 60 days of the receipt and will receive a full refund as long as the item is returned in its original product packaging and all accessories from its original shipment are included. All returned items will receive a full refund back to the original payment method. All returned items will not be charged a re-stocking fee.

All returned items require an RA (Return Authorization) number, which can only be provided by a Best Choice Products Customer Service Representative when the return request is submitted. Items received without an RA may not be accepted or may increase your return processing time. Once an item has been received by Best Choice Products, refunds or replacements will be processed within 5 business days.

All returns must be shipped back to the Best Choice Products Return Center at the customer's expense. If the reason for return is a result of an error by Best Choice Products then Best Choice Products will provide a pre-paid shipping label via email. Boxes for return shipping will not be provided by Best Choice Products, and is the customer's responsibility to either use the original shipping boxes or purchase new boxes.

Pictures may be required for some returns to ensure an item is not damaged prior to its return. Items returned are not considered undamaged until they are received by Best Choice Products and verified as such. All damages to items are the customer's responsibility until the item has been received by and acknowledged by Best Choice Products as undamaged.

© Best Choice Products, Inc. All rights reserved. Distributed by Best Choice Products, Inc. Newport Beach, CA 92660

WARNING

Manufacturer and seller expressly disclaim any and all liability for personal injury, property damage or loss, whether direct, indirect, or incidental, resulting from the incorrect attachment, improper use, inadequate maintenance, unapproved modification, or neglect of this product.