

Kaadas

Wi-Fi Video Doorbell Smart Lock
with Wireless Chime

KA227-V



Installation Guide

Download Kaadas Home App



Download the Kaadas Home App from the App Store or Google Play.



Scan the QR Code to download
the Kaadas Home App.



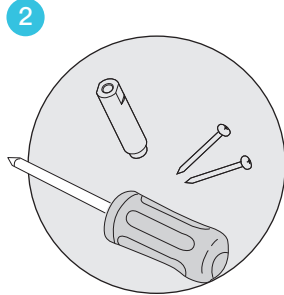
CONTENT

| | |
|---|----|
| Setup Process | 01 |
| What's Included | 02 |
| Product Overview | 03 |
| Prepare the door and check dimensions | 04 |
| Installation Guide | 05 |
| STEP1–Install Latch and Strike | 05 |
| STEP2–Install Exterior Assembly | 07 |
| STEP3–Install Mounting Plate | 08 |
| STEP4–Install Interior Assembly | 09 |
| STEP5–Pair and Set Up Your Smart Lock | 13 |
| STEP6–Install Door Sensor | 14 |
| STEP7–Add Chime (Optional) | 15 |
| FCC Statement | 16 |
| ISED Statement | 16 |
| Warning | 17 |

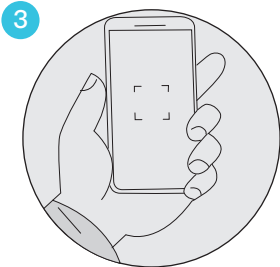
Setup Process



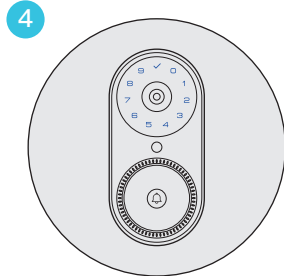
Download the Kaadas Home App and create an account.



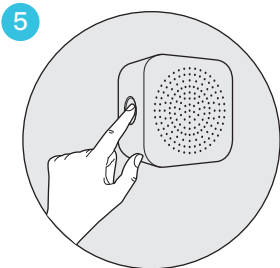
Follow the instructions and replace your existing lock.



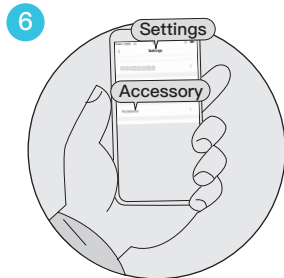
Scan the QR Code on your device.



Calibrate your lock per the Operations Guidelines in the Kaadas Home App.



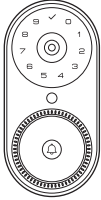
Hold the "*" button on the Chime for 5 seconds to activate Pairing Mode.



Select the "Device" to add the Chime: "Settings" -> "Accessory" -> "Add Accessories" or "+".

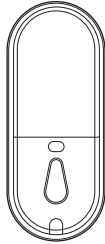
What's Included

a



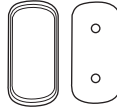
Exterior Assembly

b



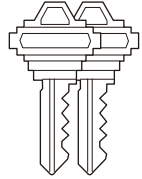
Interior Assembly

c



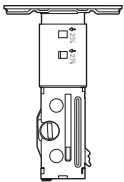
Door Sensor

d



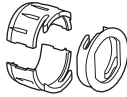
Keys (2)

e



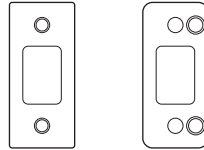
Latch

f



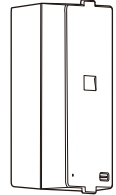
Drive-In Collar (Optional)

g



Strike Plate
Reinforcement Plate (Optional)

h



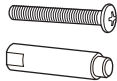
Rechargeable Battery Pack

i



Mounting Plate
Screws (2)
(35mm ≤ door thickness < 50mm)

j



Exterior Assembly
Screw (Optional) (1)

k



Latch Screws (2)

l



Strike Plate Screws (4)

m



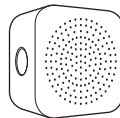
Interior Assembly
Screws (4)

n



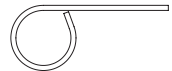
Door Sensor Screws (2)

o



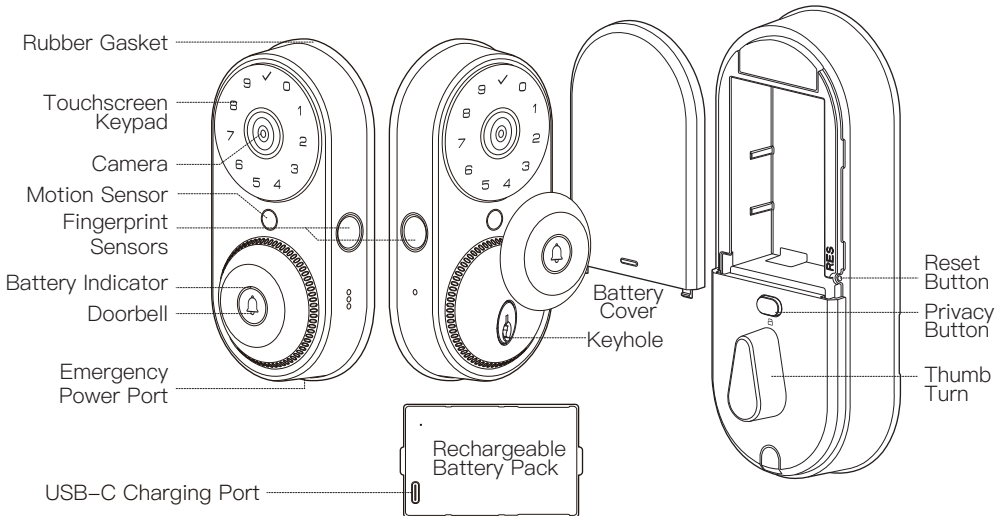
Chime (Optional)

P



Reset Tool

Product Overview



DEFINITION

Lock-Out: After 10 attempts of entering an invalid User PIN Code, the unit will shut down for 3 minutes.

One-Touch Lock: Press and hold any key on the keypad for 2 seconds to lock the door.

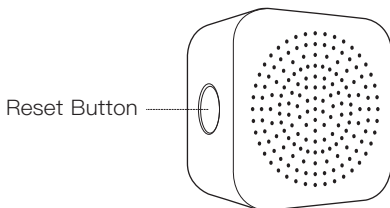
Privacy Button: Push and hold the Privacy Button on the Interior Assembly for 3 seconds to activate Privacy Mode. This will disable all User PIN Codes and App control. Privacy Mode will be disabled automatically after the lock is unlocked using the Thumb Turn or by using the Key.

Reset Button: Press and hold the Reset Button on the Interior Assembly for 5 seconds to reset your device. After the device has been reset, the lock will be restored to factory default settings and all user credentials will be deleted.

Battery Indicator: If the battery indicator flashes red light, the battery is low. Please take out the Rechargeable Battery Pack and connect power to the USB-C(5V 2A) to charge the battery.

Emergency Power Port: Insert a USB-C cable into the Emergency Power Port and use a portable battery (5V 2A) to recharge the battery.

USB-C Charging Port: Take out the Rechargeable Battery Pack and connect power to the USB-C(5V 2A) to charge the battery.



Chime

Hear real-time notifications when someone is ringing your doorbell.

Click the Reset Button once

Change the volume level.

Double Click the Reset Button

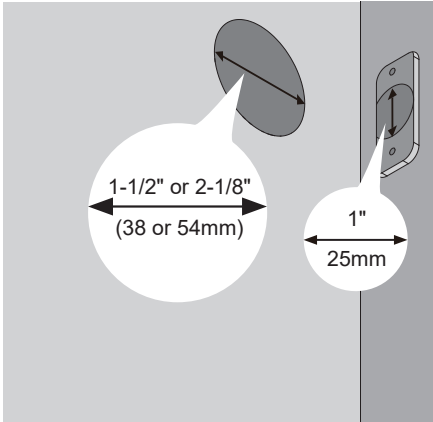
Change the local melody.

Hold the Reset Button

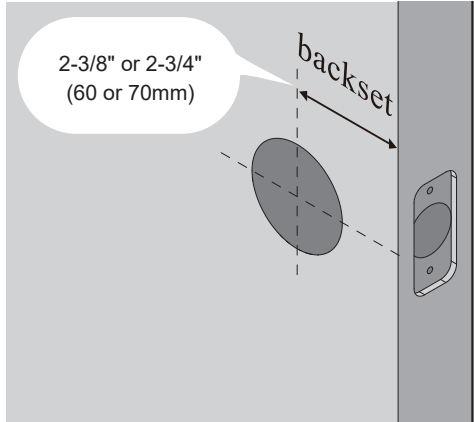
Hold the reset button for 5 seconds to enter into Pairing Mode.

Prepare the door and check dimensions

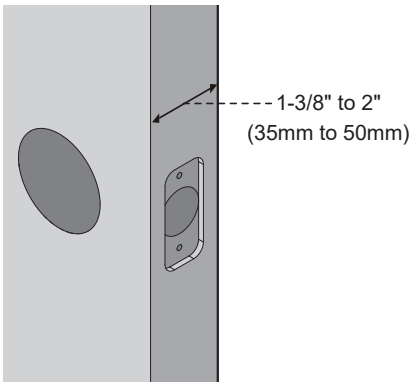
- A** Measure to confirm that the hole is 1-1/2" or 2-1/8" (38mm or 54mm). Measure to confirm that the hole in the door edge is 1" (25mm).



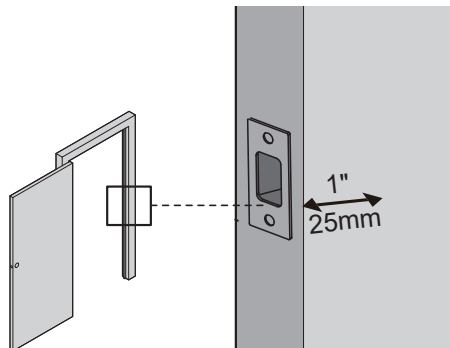
- B** Measure to confirm that the backset is either 2-3/8" or 2-3/4" (60 or 70mm).



- C** Measure to confirm that the door is 1-3/8" to 2" (35mm to 50mm) thick.



- D** Make sure the hole in the door frame is drilled a minimum of 1" (25mm) deep, to leave enough space for the deadbolt to extend into the door frame when the door is locked.



Notes: Make sure the door frame is aligned with the door and there are no obstructions stuck in the door frame.

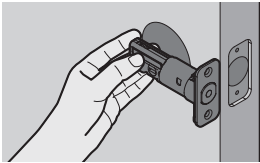
Installation Guide

STEP 1

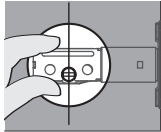
Install Latch and Strike

A

Determine backset and adjust the latch.

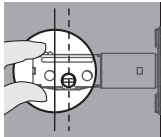


Hold the latch in front of the bore hole, with the latch face flush against the door edge. Is the slotted hole centered in the door hole?



YES

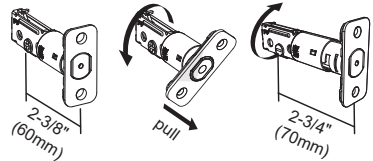
No adjustment is required. Proceed to next step.



NO

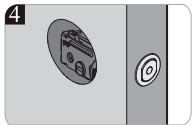
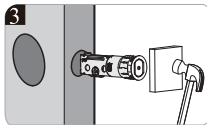
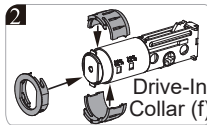
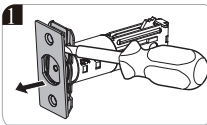
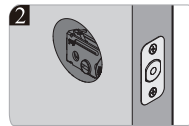
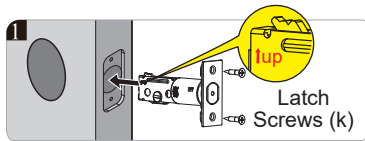
Slotted hole is NOT centered.

Rotate and pull the latch as shown to extend latch.

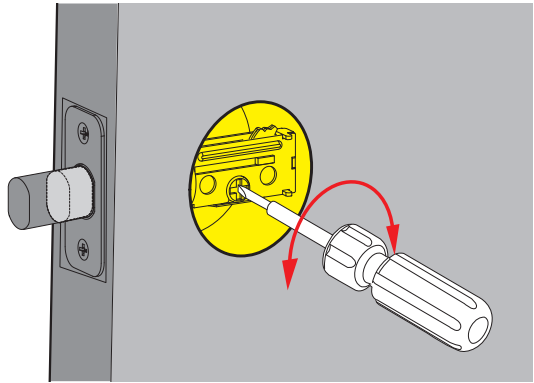


B

Install the latch.



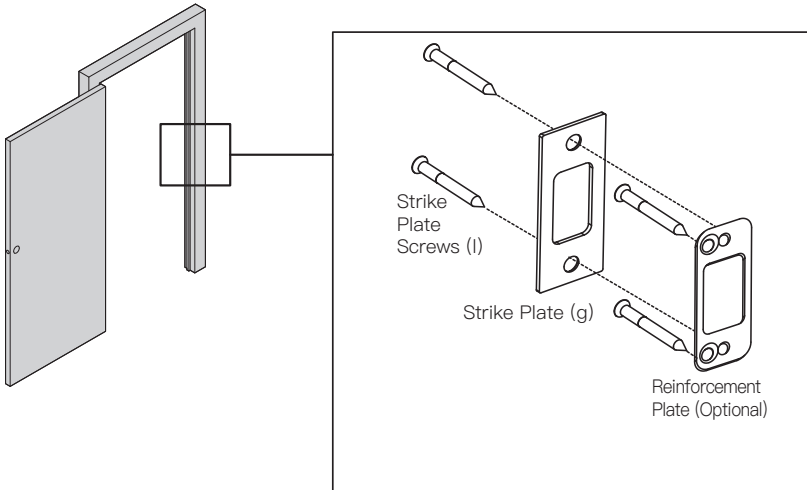
- C Use a screwdriver to test if deadbolt works smoothly.



- D Install strike on the door frame.

! IMPORTANT:

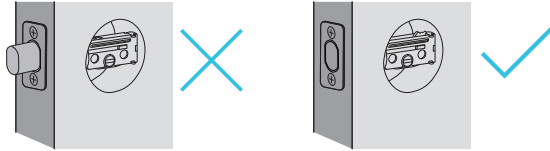
Make sure the hole in door frame is drilled a minimum of 1" (25mm) deep.



STEP 2

Install Exterior Assembly

⚠ IMPORTANT: Before installation, make sure the latch is fully retracted (in the unlocked position).

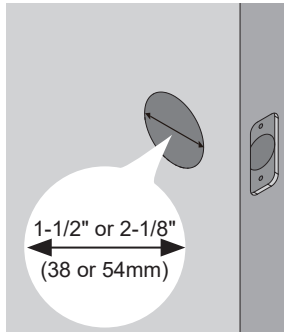


To install the exterior assembly:

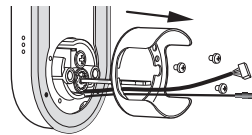
- A Measure the diameter of the hole in the door.

⚠ IMPORTANT:

IMPORTANT:
Make sure the rubber gasket is on the exterior assembly before installation, otherwise the exterior assembly will not be waterproof.



1-1/2" (38mm)

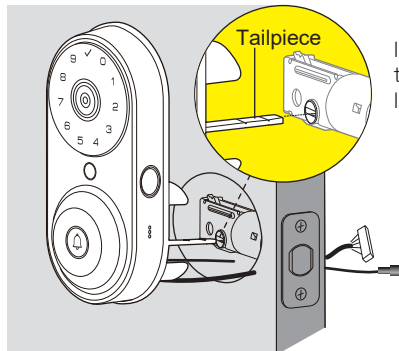


Remove the spacer.

2-1/8" (54mm)

Proceed to the next step.

- B With the latch fully retracted (in the unlocked position), route the Cable below the latch, and insert the Tailpiece through the slot in the latch.

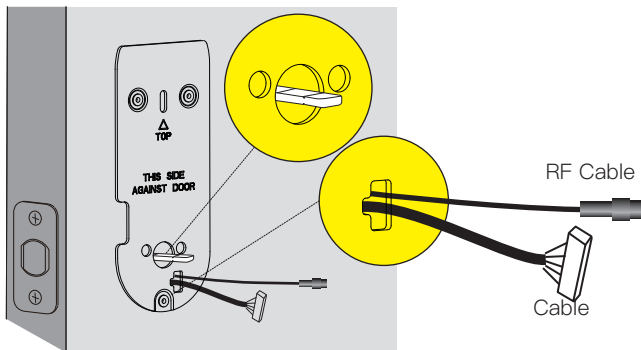


Insert the Tailpiece into the center hole in the latch.

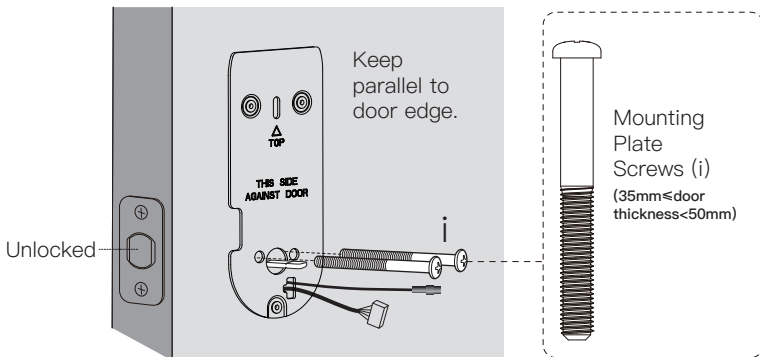
STEP 3

Install Mounting Plate

A Route the Cable and the RF Cable below the Mounting Plate.



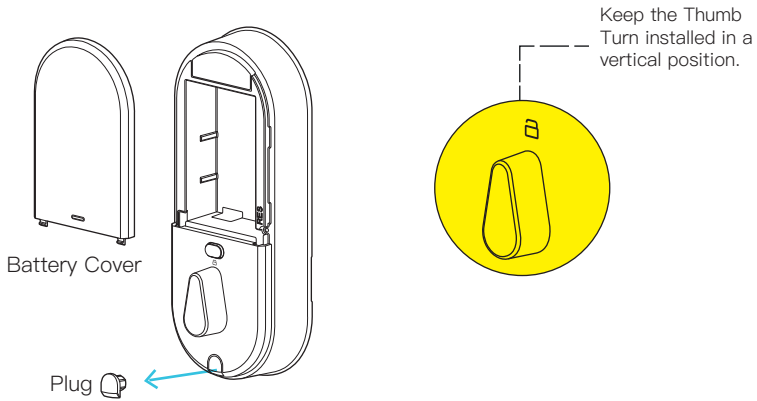
B Secure the Mounting Plate with the Mounting Plate Screws. Do not overtighten screws.



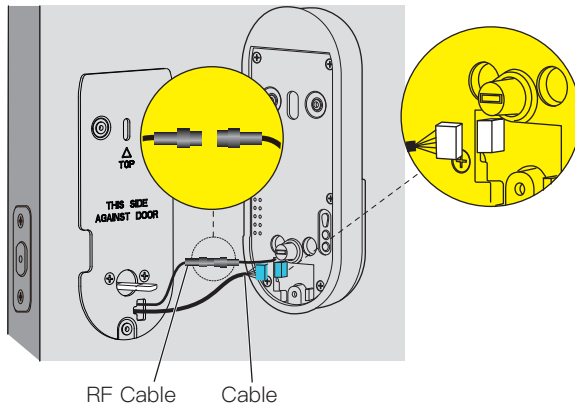
STEP 4

Install Interior Assembly

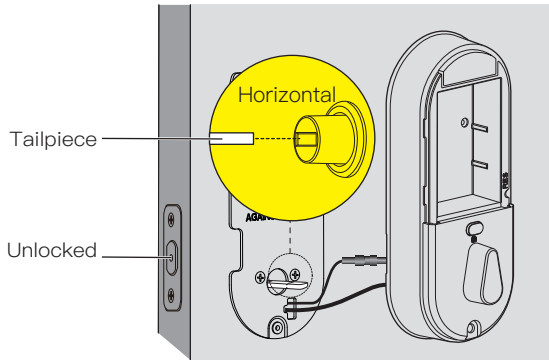
A Push the Battery Cover up as illustrated. Remove the Plug.



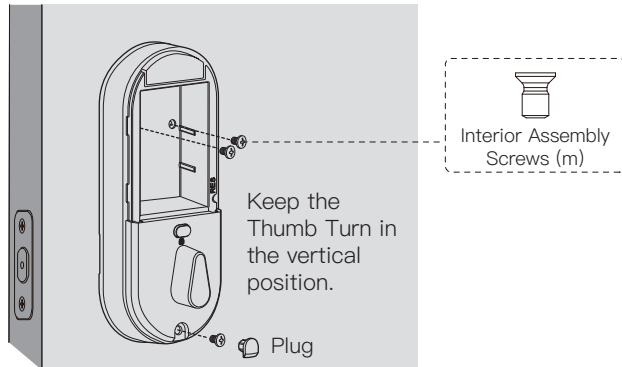
B Insert the Cable into the connector on the back of the Interior Assembly as shown. Push the connector in firmly until it is completely attached. Then connect the RF Cable to the corresponding port on the back of the Interior Assembly.



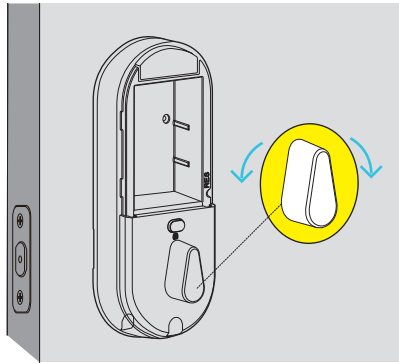
C Keep the Thumb Turn in the vertical position and install the Interior Assembly.



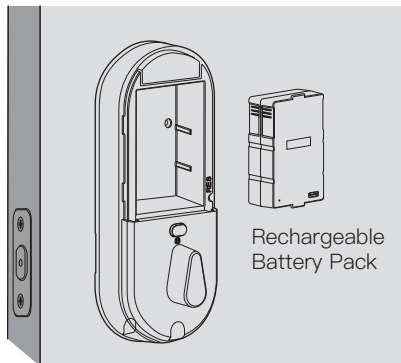
D Attach the Interior Assembly to the Mounting Plate and tighten the 3 Interior Assembly Screws. Install the Plug to cover the bottom screw.



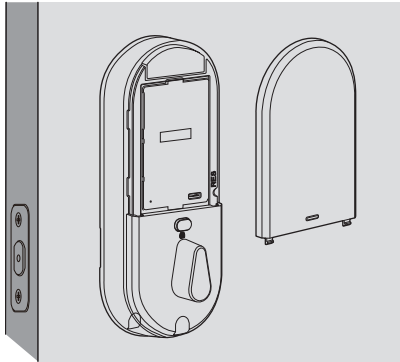
- E Test the lock by rotating the Thumb Turn to see if the bolt can be extended and retracted smoothly.



- F While keeping your lock unlocked, insert the Rechargeable Battery Pack into the battery pack.



- G** Open the Kaadas Home App and scan the QR Code on the back of the battery cover to pair the lock with your phone. Install the Battery Cover.



STEP 5

Pair and Set Up Your Smart Lock

Once your lock is successfully installed, the next step is to set it up.

Download the Kaadas Home App from the App Store or Google Play. Follow the instructions in the App to set up the device.

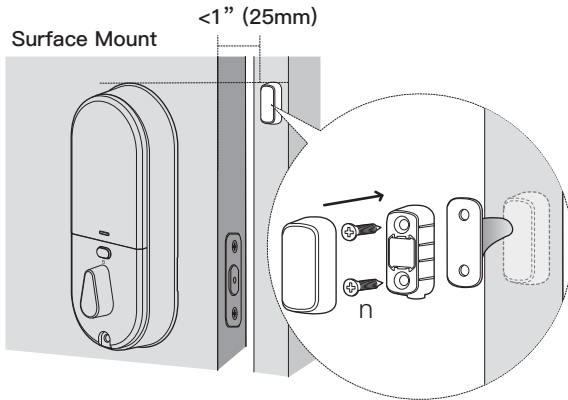
 NOTE:

- The first user to be created is the Administrator and can authorize other user accounts to use the smart lock.
- Press and hold the Reset Button for 5 seconds. It will not unpair the device from the Administrator account.
- The Administrator will not be able to setup or operate the device with the Kaadas Home App after the device has been reset. The Administrator will need to unpair the lock in the Kaadas Home App so that the lock can be paired by others.

STEP 6

Install Door Sensor

⚠ For optimal performance, the Door Sensor should be mounted within 1 inch from the edge of your door frame and within 1 inch from the top of the Interior Assembly.



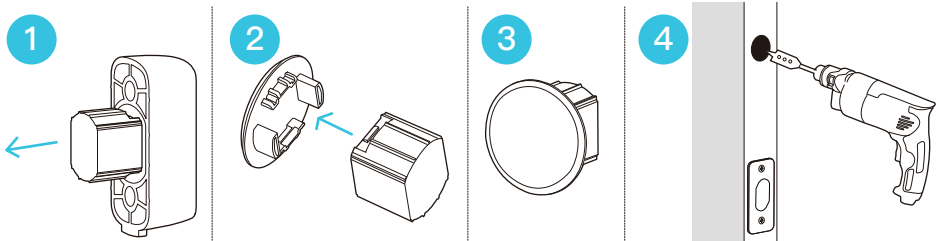
Step 1. Determine the mounting location.

Step 2. Attach mounting tape.

Step 3. Stick it on the door frame.

Step 4. Calibrate your lock per the Operations Guidelines in the Kaadas Home App.

Flush Mount



Step 1. Remove the magnet from the housing.

Step 2. Attach the magnet to the cap.

Step 3. Determine the mounting location and drill the hole in your door frame:

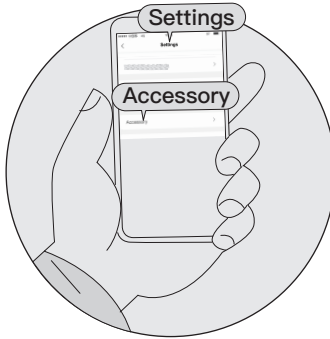
- more than 1" (25mm) to 1.5" (38mm) from the top edge of your deadbolt strike plate,
- Requires a 1/2" (12.5mm) deep hole,
- Requires a 5/8" (16mm) inch diameter hole.

Step 4. Insert the Door Sensor into the hole.

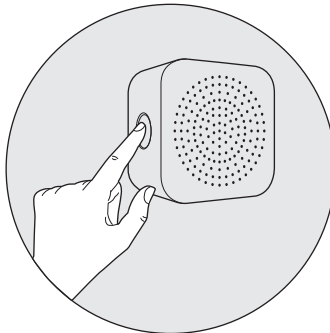
STEP 7

Add Chime (Optional)

A Go to the “Device” to add the Chime, “Settings” -> “Accessory” -> “Add Accessories” or “+”.



B Hold the “+” Button of the Chime for 5 seconds to activate Pairing Mode.



C Follow instructions and accessory prompts in the Kaadas Home App to complete the setup process.

FCC Statement

This equipment has been tested and found to comply with the limits for a Class B digital device, pursuant to part 15 of the FCC Rules. These limits are designed to provide reasonable protection against harmful interference in a residential installation. This equipment generates, uses and can radiate radio frequency energy and, if not installed and used in accordance with the instructions, may cause harmful interference to radio communications. However, there is no guarantee that interference will not occur in a particular installation. If this equipment does cause harmful interference to radio or television reception, which can be determined by turning the equipment off and on, the user is encouraged to try to correct the interference by one or more of the following measures:

- Reorient or relocate the receiving antenna.
- Increase the separation between the equipment and receiver.
- Connect the equipment into an outlet on a circuit different from that to which the receiver is connected.
- Consult the dealer or an experienced radio/TV technician for help.

Caution: Any changes or modifications to this device not explicitly approved by manufacturer could void your authority to operate this equipment.

This device complies with part 15 of the FCC Rules. Operation is subject to the following two conditions: (1) This device may not cause harmful interference, and (2) this device must accept any interference received, including interference that may cause undesired operation.

RF Exposure Information

This equipment complies with FCC radiation exposure limits set forth for an uncontrolled environment. This equipment should be installed and operated with minimum distance 20cm between the radiator and your body.

ISED Statement

English: This device contains licence–exempt transmitter(s)/receiver(s) that comply with Innovation, Science and Economic Development Canada’s licence–exempt RSS(s). Operation is subject to the following two conditions:

- (1) This device may not cause interference.
- (2) This device must accept any interference, including interference that may cause undesired operation of the device.

The digital apparatus complies with Canadian CAN ICES-3 (B)/NMB-3(B).

French: Cet appareil contient des émetteurs/récepteurs exempts de licence qui sont conformes aux RSS exemptés de licence d’Innovation, Sciences et Développement économique Canada.

L’exploitation est soumise aux deux conditions suivantes :

- (1) Cet appareil ne doit pas provoquer d’interférences.
- (2) Cet appareil doit accepter toute interférence, y compris les interférences susceptibles de provoquer un fonctionnement indésirable de l’appareil.

l’appareil numérique du ciem conforme canadien peut-3 (b) / nmb-3 (b).

This device meets the exemption from the routine evaluation limits in section 2.5 of RSS 102 and compliance with RSS 102 RF exposure, users can obtain Canadian information on RF exposure and compliance.

cet appareil est conforme à l’exemption des limites d’évaluation courante dans la section 2.5 du cnr – 102 et conformité avec rss 102 de l’exposition aux rf, les utilisateurs peuvent obtenir des données canadiennes sur l’exposition aux champs rf et la conformité.

This equipment complies with Canada radiation exposure limits set forth for an uncontrolled environment.

Cet équipement est conforme aux limites d’exposition aux rayonnements du Canada établies pour un environnement non contrôlé.

This equipment should be installed and operated with minimum distance 20cm between the radiator & your body.

Cet équipement doit être installé et utilisé à une distance minimale de 20 cm entre le radiateur et votre corps.

WARNINGS

Failure to follow the below instructions could result in damage to the product and void the factory warranty. The accuracy of the door preparation is critical to allow proper functioning and security of this Kaadas Product. Misalignment of the door prep and lock can cause performance degradation and hinder the security functions of the lock.

Finish Care: This lockset is designed to provide the highest standard of product quality and performance. Care should be taken to ensure a long-lasting finish. When cleaning is required use a soft, damp cloth. Using lacquer thinner, caustic soaps, abrasive cleaners or polishes could damage the coating and result in tarnishing.

