

Job Name:

Engineer/Architect:

Job Location:

Wholesaler:

Submittal Date:

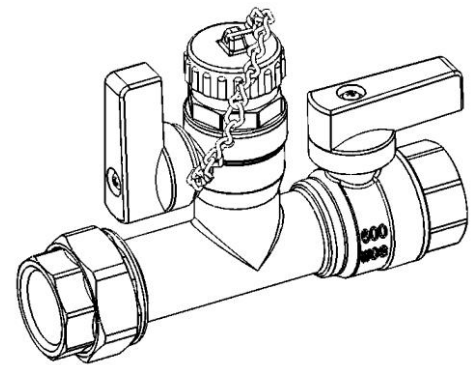
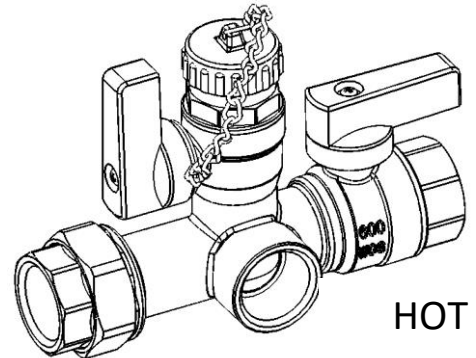
Contractor:

## TWV30X/TWV3SX/TWVR3 Tankless Water Heater Hot/Cold Service Valves

**Use:** For use in potable water distribution systems for water flow control. Valves connect directly to cold water inlet and hot water outlet of the tankless water heater. Use for appliance maintenance and emergency shut-off.

**Design Features:**

- **Compact design** ideal for recessed and cover box installations.
- **Captive coupling nut and washer** reduces the opportunity for component loss making installation easier.
- **Captive washer** won't kink or tear during installation.
- **Forged, one-piece construction** reduces the potential for pinhole leaks.
- **Integrated drain valve** with independent, quarter-turn operation allows for quick system diagnostic testing and maintenance.
- **Built-in side port** for the pressure relief valve reduces the number of connections and simplifies the installation.
- **Color-coded handles** for immediate system identification.
- **Right-sized** for tight installations.
- **No-lead brass material** meeting compliance for safe drinking.



**Operating Specifications:**

**Temperature:** 40° - 180° F

**Pressure:** 125 PSI maximum

**VALVE MATERIAL SPECIFICATIONS**

<b>Body</b>	Forged brass
<b>Stem</b>	Brass
<b>Handle</b>	Aluminum, coated
<b>Handle Screw</b>	Steel, zinc plated
<b>Flat Seal</b>	Rubber
<b>Coupling Nut</b>	Forged brass
<b>Drain Cap</b>	Forged brass
<b>Cap Gasket</b>	Rubber
<b>Seat</b>	PTFE
<b>Ball</b>	Brass, chrome plated

*This specification and all information contained herein is the confidential and exclusive property of BrassCraft Manufacturing Company and shall not be disclosed to others without the written consent of BrassCraft. This specification must be returned to BrassCraft if requested.*

300.40\_TWV30 Tnkless Wtr Htr Svc Vlv\_IPS x IPS\_REV 8.24

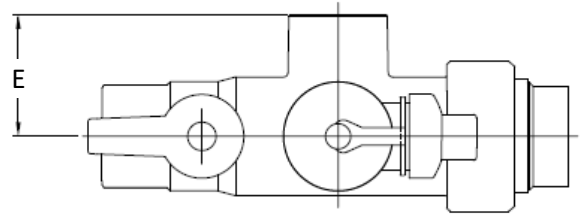
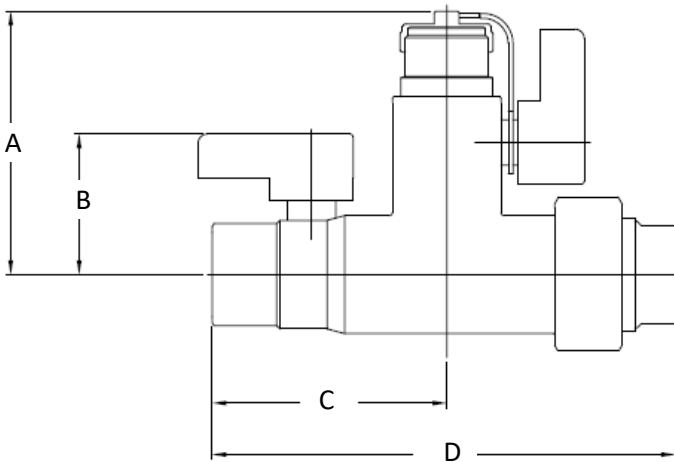
**BrassCraft®**

©2024 BrassCraft Manufacturing Company

# TWV30X/TWV3SX/TWVR3 Tankless Water Heater Hot/Cold Service Valves

**Part Listing:**

- TWV30X                    3/4" IPS x 3/4" IPS Hot/Cold Service Valves Only
- TWV30RX                3/4" IPS x 3/4" IPS Hot/Cold Service Valve Kit with 200K Pressure Relief Valve
- TWV3SX                   3/4" Sweat x 3/4" IPS Hot/Cold Service Valves Only
- TWV3SRX                3/4" Sweat x 3/4" IPS Hot/Cold Service Valve Kit with 200K Pressure Relief Valve
- TWVR30RX              3/4" IPS x 3/4" IPS Hot/Cold/Recirculation Service Valve Kit with 200K Pressure Relief Valve
- TWVR3SRX              3/4" Sweat x 3/4" IPS Hot/Cold/Recirculation Service Valve Kit with 200K Pressure Relief Valve



**PART SPECIFICATIONS (Inches)**

Model	DIM. A	DIM. B	DIM. C	DIM. D	DIM. E*
TWV30X/TWV30RX/TWVR30RX	3"	1-3/4"	2-5/8"	5-1/8"	1-1/8"
TWV3SX/TWV3SRX/TWVR3SRX	3"	1-3/4"	2-5/8"	5-1/8"	1-1/8"

\*Dimension for hot valve with pressure relief valve port

**Listings and Certifications:**

- IAPMO listed to IAPMO/ANSI Z1157 including NSF/ANSI 14



*This specification and all information contained herein is the confidential and exclusive property of BrassCraft Manufacturing Company and shall not be disclosed to others without the written consent of BrassCraft. This specification must be returned to BrassCraft if requested.*