

▶ **Code Number**

3782691

▶ **Description**

Exposed, battery-powered, sensor-activated, urinal flushometer with a single flush side mount unit for 3/4" top spud urinals.

▶ **Flush Cycle**

0.5 gpf/1.9 Lpf

▶ **Specifications**

Quiet, Exposed, Diaphragm Type, Chrome Plated Urinal Flushometer with the following features:

- Chrome Plated Infrared Sensor Housing
- Four (4) Size C alkaline Batteries included: Duracell® with DURALOCK Power Preserve Technology™-guaranteed for up to 10 years in storage
- "Low Battery" Flashing LED
- "User in View" Flashing LED
- No External Volume Adjustment to Ensure Water Conservation
- Can be Mounted on either the Left or Right Side of Valve
- True Mechanical Override Flush Button
- 72-Hour Sentinel Flush
- Sweat Solder Adapter w/Cover Tube and Cast Wall Flange with Set Screw
- Spud coupling and flange for 3/4" top spud
- Stop Seat and Vacuum Breaker Molded from PERMEX® Rubber Compound for Chloramine resistance
- 3/4" IPS screwdriver Bak-Chek® angle stop with vandal resistant stop cap
- ADA Compliant Battery Powered Infrared Sensor for automatic "Hands-free" operation

Valve Body, Cover, Tailpiece and Control Stop shall be in conformance with ASTM Alloy Classification for Red Brass. Valve shall be in compliance to the applicable sections of ASSE 1037 and ANSI/ASME 112.19.2.

For All Flush volumes:

- Low Consumption flush accuracy controlled by Para-Flo™ Technology

▶ **Variations**

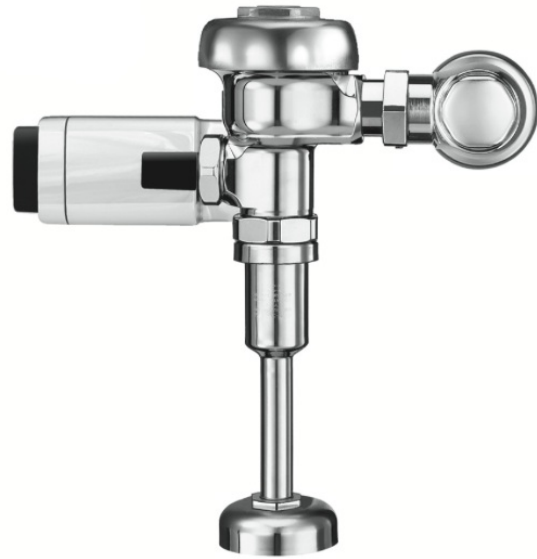
DFB Dual-Filtered Bypass Diaphragm

▶ **Accessories (Sold Separately)**

See Accessories Section and OPTIMA® Accessories Section of the Sloan catalog for details on these and other OPTIMA® Flushometer variations.

▶ **Fixtures**

Consult factory for matching Sloan brand fixture options.



▶ **Smart Sense Technology™**

Sloan® SFSM flushometers are equipped with Smart Sense Technology™, which applies extended range and logic techniques to significantly reduce water usage in high use urinal applications, such as when a continuous line of people (or queue) forms. In fact, during a continuous queue, regardless of the number of users, the maximum amount of water used is only 2.5 gallons, assuming a 0.5 gpf diaphragm kit. Please contact Sloan for specific details.

▶ **Automatic Operation**

Sloan's SFSM flushometers are activated via multi-lobular infrared sensor. The sensor sets the flushing mechanism when the user is detected and Completes the flush when the user steps away.

▶ **Manual Operation**

Sloan's SFSM flushometers can also be activated manually by pushing the black TMO button.

▶ **Service Mode**

Features service mode which ignores targets for 10 minutes to enable fixture to be cleaned or serviced

▶ **Hygienic**

Touchless, sensor activation eliminates the need for user contact to help control the spread of infectious diseases. The Sloan DFSM Electronic Retrofit Units are provided with Reduced or Full Flush Override Buttons to allow a "courtesy flush" for individual user comfort. The 72-Hour Sentinel Flush keeps fixture fresh during periods of nonuse.

▶ **Compliance & Certifications**



This space for Architect/Engineer Approval

### ► ELECTRICAL SPECIFICATIONS

#### Control Circuit

Solid State

6 VDC Input

72 Hour Sentinel Flush

2-3 Second Arming Delay

#### Sensor Type

Infrared Convergence Type Object Lock Detection

#### Sensor Range

Factory Set at 22" - 42" (559 mm-1067 mm)

If converted to urinal range setting: 15-30" (381-762 mm)

#### Battery Type

(4) C Alkaline

#### Battery Life

3 Years @ 4,000 flushes/month

#### Indicator Lights

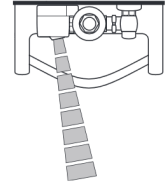
User in View

#### Valve Operating Pressure (Flowing)

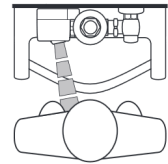
25-80 psi (172-552 kPa)

### ► OPERATION

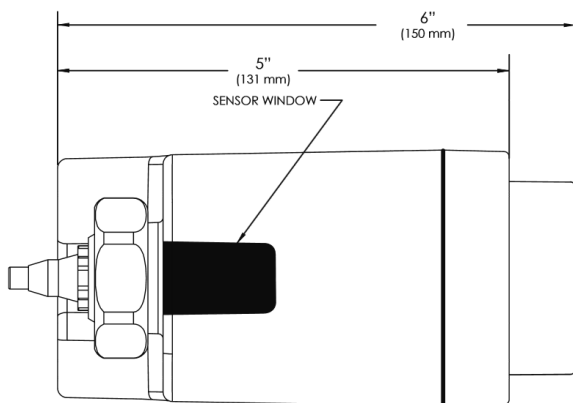
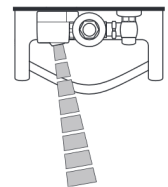
1. A continuous, invisible light beam is emitted from the object lock infrared sensor.



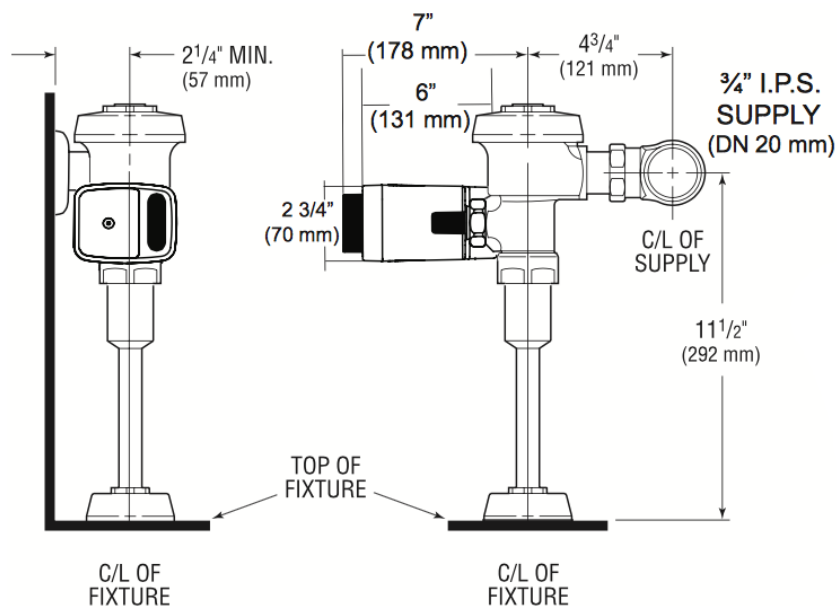
2. As the user enters the beam's effective range, 22" - 42" (559 mm-1067 mm), the object lock infrared sensor senses the user.



3. When the user steps away from the object lock Infrared sensor, the circuit initiates the flushing cycle to flush the fixture. The circuit then automatically resets and is ready for the next user.



### ► ROUGH-IN



Includes EBV-500-A Single Flush Side Mount Unit