

DLR4

4" Recessed LED Downlight

Product Description

The DLR4 from NICOR is a 4" recessed LED downlight that is ideal for both retrofit and new construction alike. Redesigned to boost energy efficiency, the LED light engine draws only 10 watts while improving light output to over 600 lumens. The enriched 90+ CRI provides superior color quality, along with an R9 greater than 60. Not only is the light quality better, but this design improvement meets new industry standards like Title 24.

Construction

- Spun aluminum trim routes heat away from electrical components
- Low profile, integrated driver, allows for use in shallow housings

Optical System

- Polystyrene diffuser and reflector cone create a uniform light distribution that reduces glare without sacrificing lumen output

Electrical

- Utilizes high performing LEDs with greater than 90 CRI and R9 greater than 60 (not available on 5000K)
- Dimmable to 5% with most standard triac dimmers
- Operating temperature rating of 0°F to 120°F (-18°C to 49°C)
- Input voltage of 120V
- Lifetime rated for greater than 53,000 hours
- LM-79, LM-80 testing performed in accordance with IESNA standards
- Meets FCC Part 15, Subpart B, Class B standards for conducted and radiated emissions.

Finish

- Exterior white powder coat finish, with interior high reflective finish

Installation

- Compatible with most 4" recessed housings
- Quick and easy installation with a screw-in Edison base (GU24 socket string available) and friction clip system

Warranty

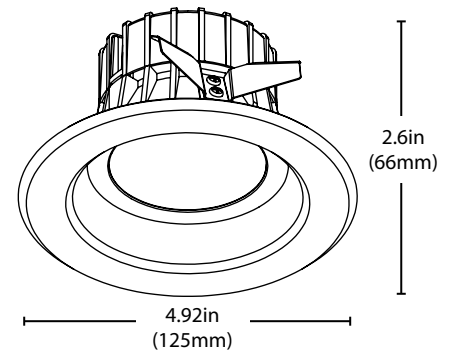
- 5-year limited system warranty standard

Project _____

Catalog _____

Type _____

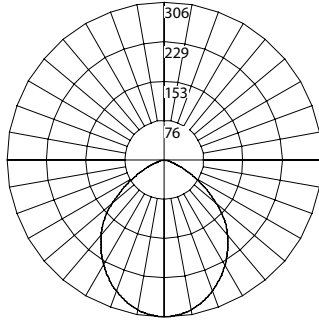
Date _____



Photometric Data

DLR4 2700K

Input Voltage (VAC)	120V
System Level Power (W)	9.3
Delivered Lumens (Lm)	635
System Efficacy (Lm/W)	68.3
Correlated Color Temp (K)	2867
Color Rendering Index (CRI)	93
Beam Angle	95°
Spacing Criteria	1.18



Intensity Summary (Candle Power)

Angle	Mean CP
0	303
5	301
15	284
25	254
35	214
45	165
55	100
65	42
75	12
85	4
90	0

CCT Data Multiplier

DLR4-10-120-3K	1.020
DLR4-10-120-4K	1.072
DLR4-10-120-5K	1.182

Cone of Light Tabulation

Mounted height (Feet)	Footcandles Beam Center	Diameter (Feet)
4	18.9	4.7
6	8.4	7.0
8	0.9	9.3
10	3.0	11.6
12	2.1	13.9
14	1.5	16.3
16	1.2	18.6

Zonal Lumen Summary

Zone	Lumens	% of Luminaire
0-30	225	35.5%
0-40	359	56.5%
0-60	575	90.5%
0-90	635	100.0%
90-180	0	0.0%
0-180	635	100.0%

Fixture tested per LM-79-08. Photometric data is of the performance of a representative fixture. Results may vary in the field.

Performance Data

Model Number	Lumens	Watts	Lumens/Watt
DLR4-10-120-2K	635	9.3	68.3
DLR4-10-120-3K	647	9.3	69.6
DLR4-10-120-4K	680	9.3	73.2
DLR4-10-120-5K	751	9.3	80.7

Recommended Dimmers*

Lutron Skylark SCL-153P
Lutron DIVA DVCL-153P
Lutron DIVA DVELV-300P
Lutron DIVA DVELV-303P
Lutron Skylark SELV-300P

Housing Compatibility*

19000A-LED-ID 4" LED IC AIRTIGHT NEW CONSTRUCTION HOUSING
19001AR-LED-ID 4" LED IC AIRTIGHT REMODEL HOUSING
MOST STANDARD 4" RECESSED HOUSINGS

*Not a complete list. Check compatibility before installation.

Ordering Information

Example: DLR4-3006-120-3K-WH

Series	Version	Voltage	CCT's	Trim Color
DLR4	3006 (600Lm)	120 (120V)	2K (2700 K)	WH (White)
			3K (3000 K)	WH-BF (White Baffle)
			4K (4000 K)	BK (Black)
			5K (5000 K)	NK (Nickel)
				OB (Oil-Rubbed Bronze)

Specifications and dimensions subject to change without notice.

Accessories

accessories sold separately

GU24 Socket String

GU24-IDEAL-SKT-STR