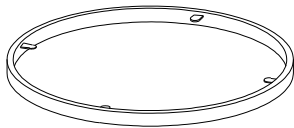


ASSEMBLY INSTRUCTION

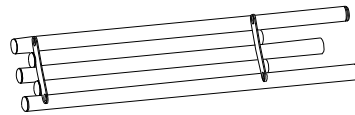
TEXTURED METALLIC MIRROR TOP END TABLE WITH GLASS SHELF

A Table Frame



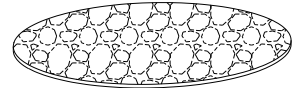
2pcs

B Leg



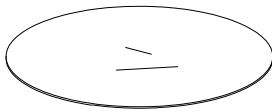
3pcs

C Mirror Top



1pc

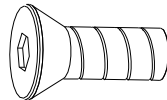
D Glass Shelf



1pc

E Bolt

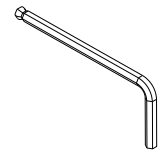
1/4" x 1/2"



12pcs

F Allen Wrench

1/4"



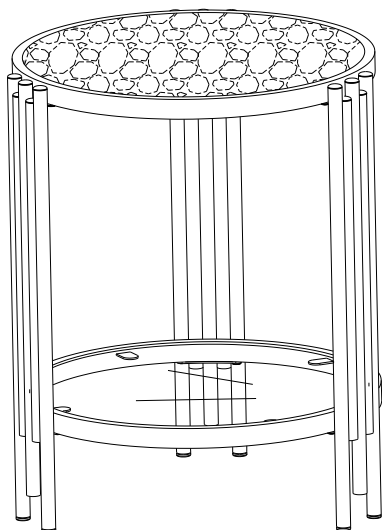
1pc

G Glass Pad

Φ10mm x 1mm



8pcs

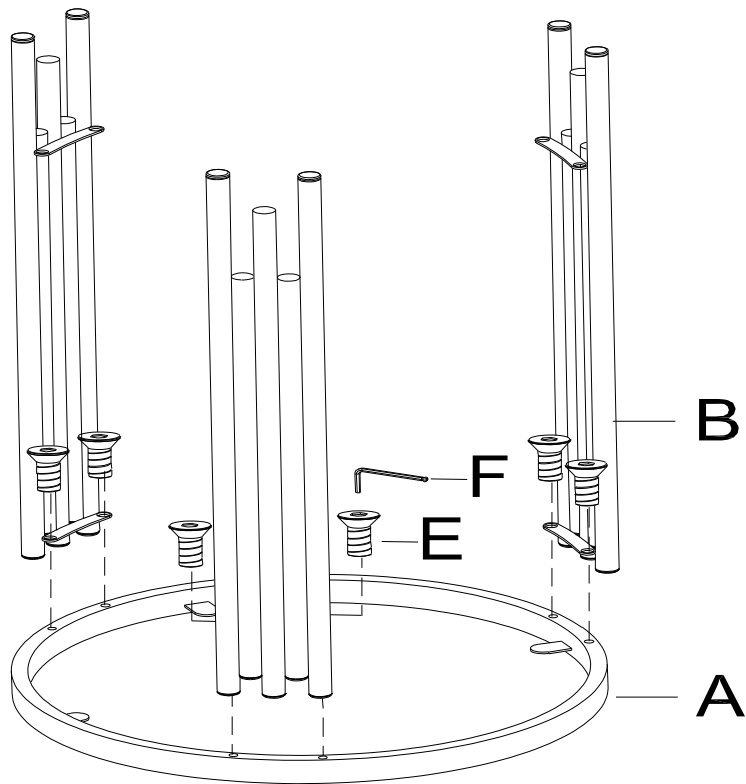


This page lists all the contents included in the box. Please take the time to identify the hardware as well as the individual components to this product. As you unpack and prepare for assembly, place the contents on a carpeted or padded area to protect them from damage.

***** Do not tighten screws & bolts until the entire unit is completely assembled.**

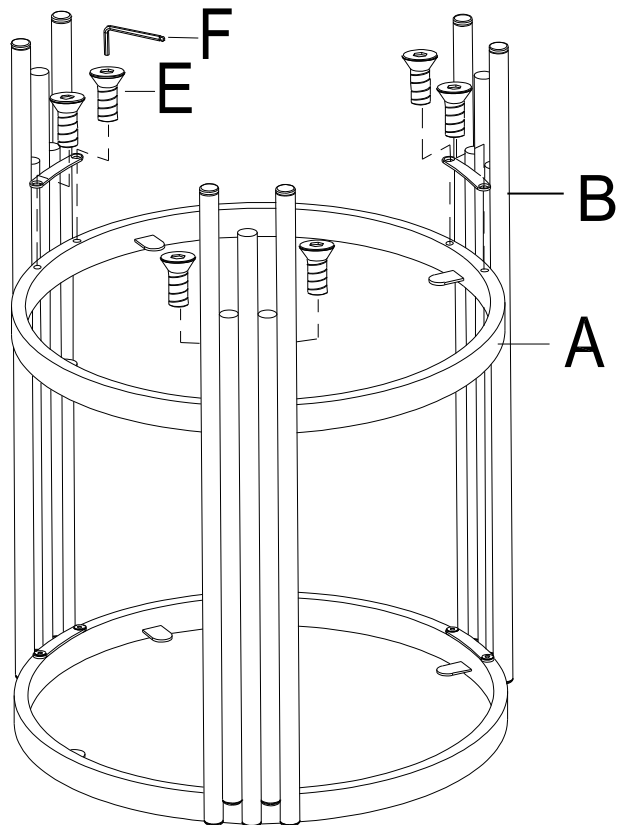
1

Attach the Leg (B) to the Table Frame (A) using Bolt (E) with Allen Wrench (F).



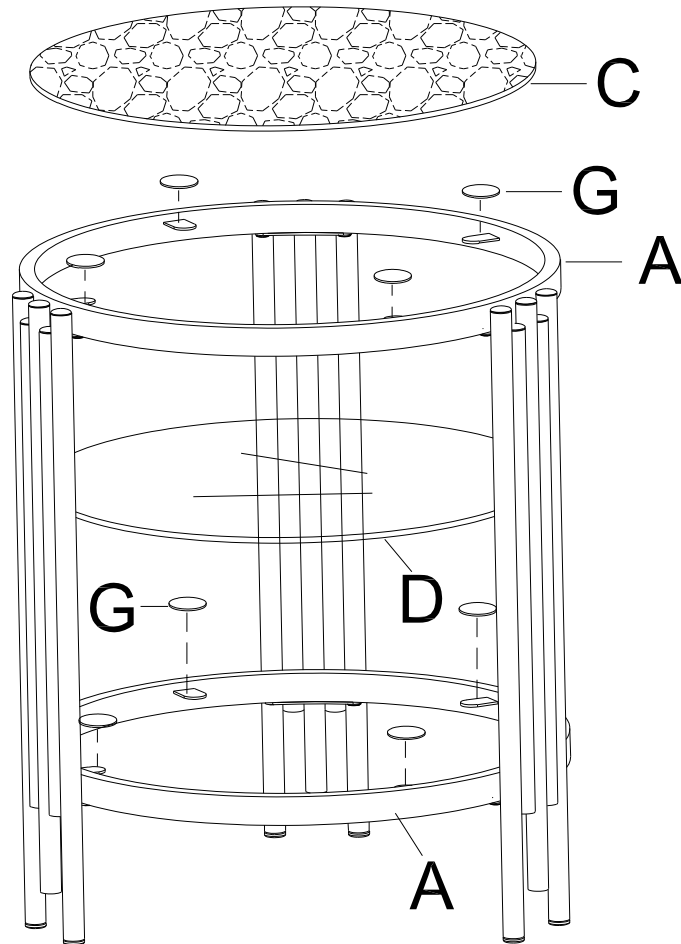
2

Attach the other Table Frame (A) to the Leg (B) using Bolt (E) with Allen Wrench (F).



3

Stand the assembled unit upright. Place Glass Pad (G), the Glass Shelf (D) and the Mirror Top (C) on the Table Frame (A) as shown.



Cleaning & Care

Treat surfaces with care. Surfaces are resistant to scratches but are not scratch resistant. Clean surfaces with a dry or damp soft cloth. Do not use abrasive cleaners. Hardware may loosen over time. Periodically check that all connections are tight.