



New
Classic®
FURNITURE

Assembly Instruction


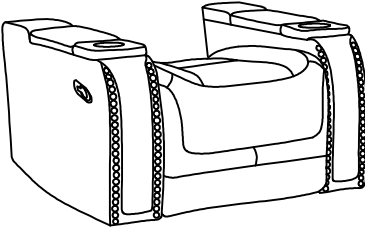
Item No.:L3183-13

DESCRIPTION: BRECKENRIDGE GLIDER RECLINER

Thank you for purchasing this quality product. Be sure to check all packing materials carefully for small parts, which may have come loose during shipment. Identify and count all items and compare with the parts list and/or hardware list shown below. It is recommended to have two people during assembling and to remove the backs and base of the furniture out from the box.

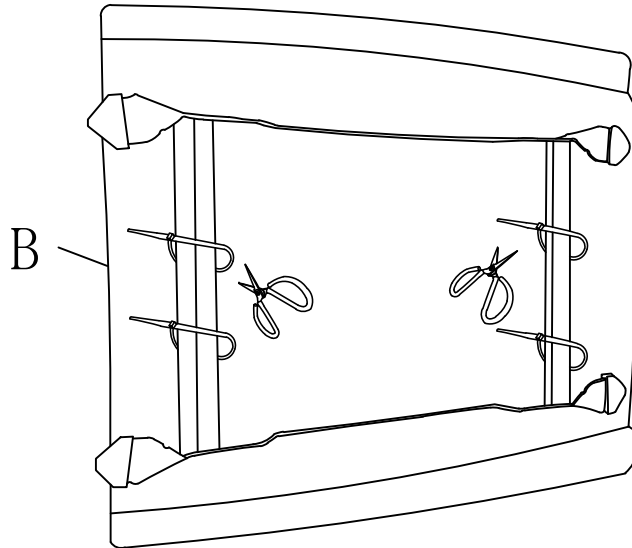
Please follow the drawings below to assemble the item

PARTS LIST

NO.	SKETCH	QTY	DESCRIPTION
A		1	BACKREST
B		1	SEAT

Step 1

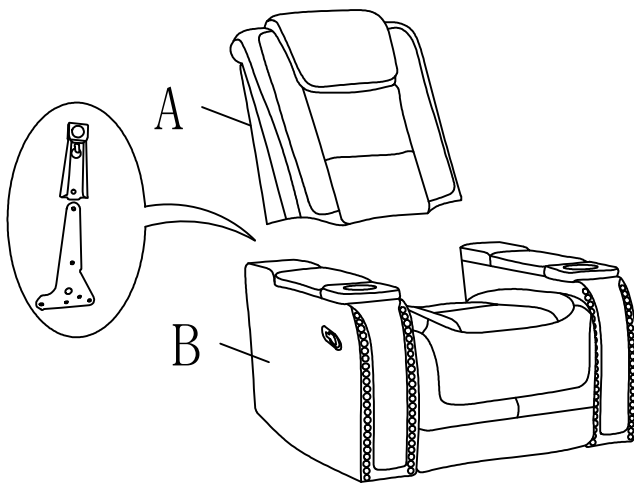
Cut the white zip ties with scissors.



Step 2

Install the backrest (A) by align and insert the metal bracket on the backrest (A) to the metal bracket of the seat (B).

Please make sure the brackets are inserted all the way and secured into position.



Step 3

Complete.

