

ASSEMBLY&INSTALLATION

Please read carefully and save these instructions, as you may need them a later date.

CAUTION

Turn off the main power at the circuit breaker before installing the fixture, in order to prevent possible shock.

GENERAL

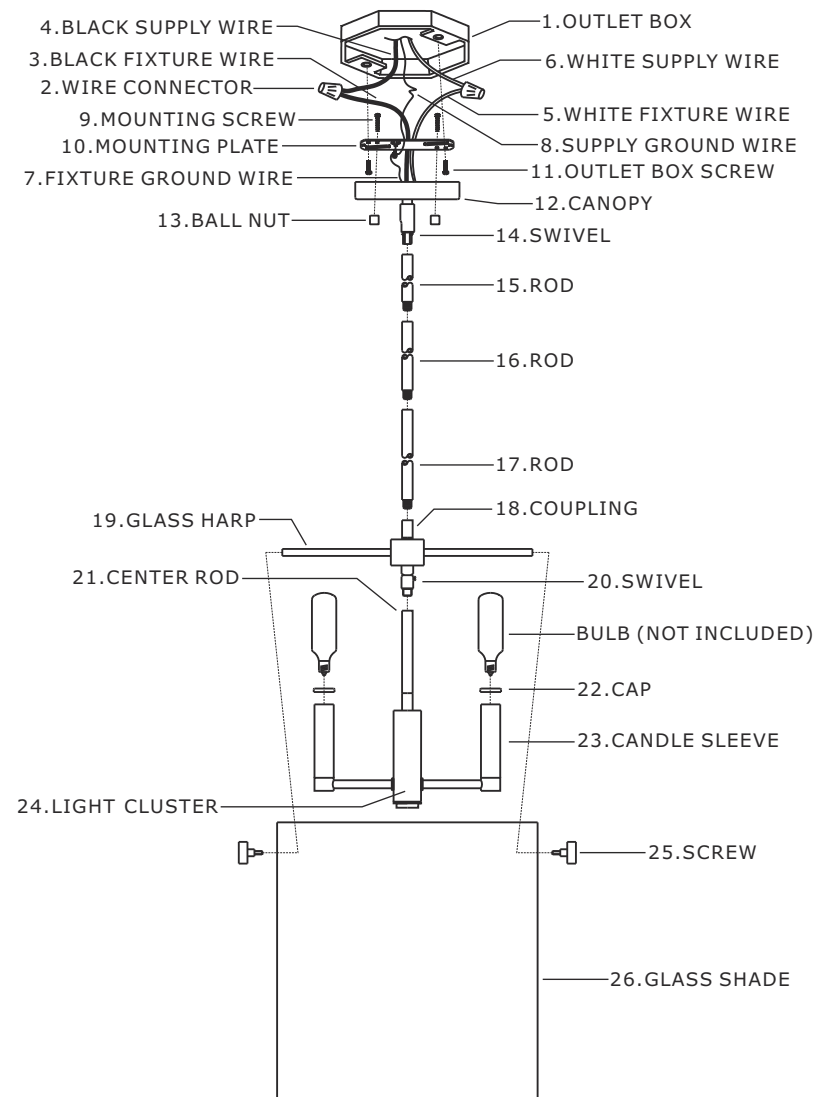
All electrical connections must be in accordance with local and National Electrical Cod (N.E.C) standards. If you are unfamiliar with proper electrical wiring connections obtain the services of a qualified electrician.

Remove the fixture and the mounting package from the box and make sure that no parts are missing by referencing the illustrations on the installation instructions.

ASSEMBLY AND INSTALLATION

1. Carefully unpack the fixture, lay out all parts on a clean surface.
2. Thread the swivel (20) into the center rod (21).
3. Slide the light cluster (24) inside the glass shade (26) and line up the glass harp (19) with the side holes on the glass shade (26), then secure it with the screws (25).
4. Choose the suitable number of rods and install the rod (15, 16, 17) into the coupling (18). Adjust the cord/wire to your desired length and remove excess.
5. Thread the swivel (14) into rod (15).
6. Thread the mounting screws (9) into the matching holes in the mounting plate (10). Secure the mounting plate (10) to outlet box (1) with the outlet box screws (11).
7. Make wire connections with wire connector(2):
 - The black wire (3) from fixture to black wire (4 live wire) from the outlet box.
 - The white wire (5) from fixture to white wire (6 neutral wire) from the outlet box.
 - Attach the fixture ground wire (7) and supply ground wire (8) to the mounting plate with the green ground screw. Carefully tuck wire back into the outlet box.
8. Place the cap (22) onto the candle sleeve (23).
9. Install the bulbs (not included) into the socket. Make sure they do not exceed the maximum wattage specified on the fixture's wattage label.
10. Turn on the power.

INSTALLATION IS NOW COMPLETED



ITEM NO: 55301 55302