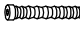




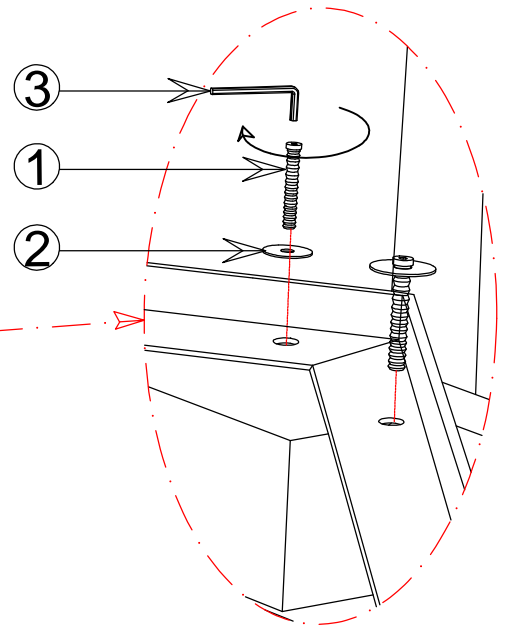
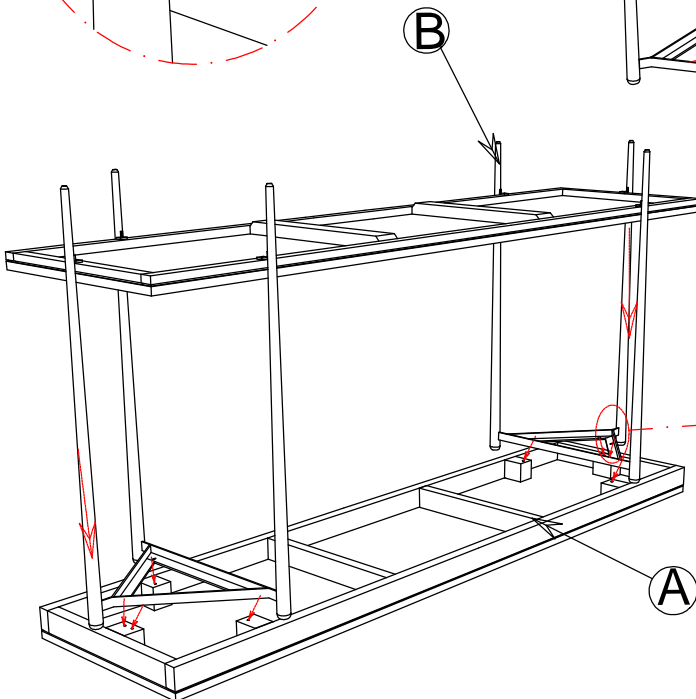
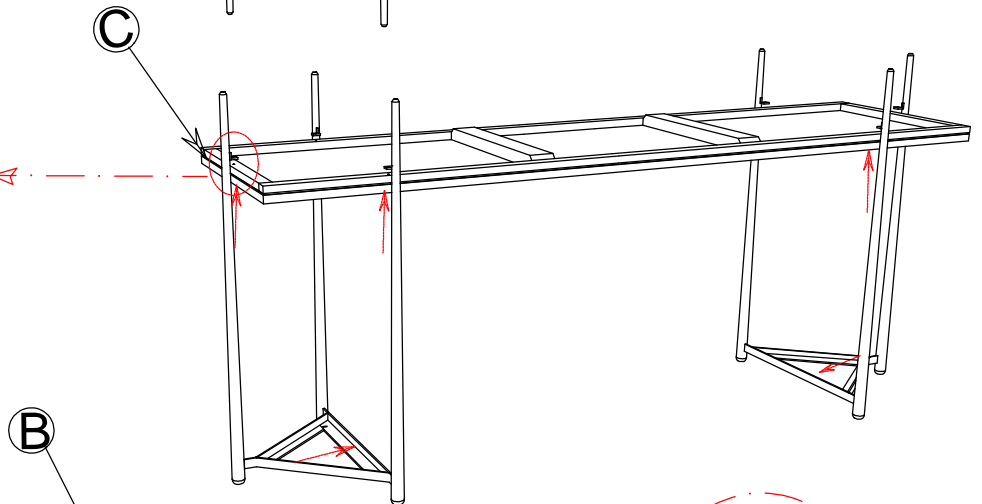
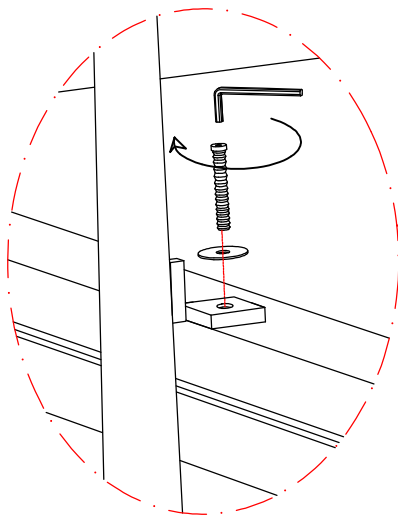
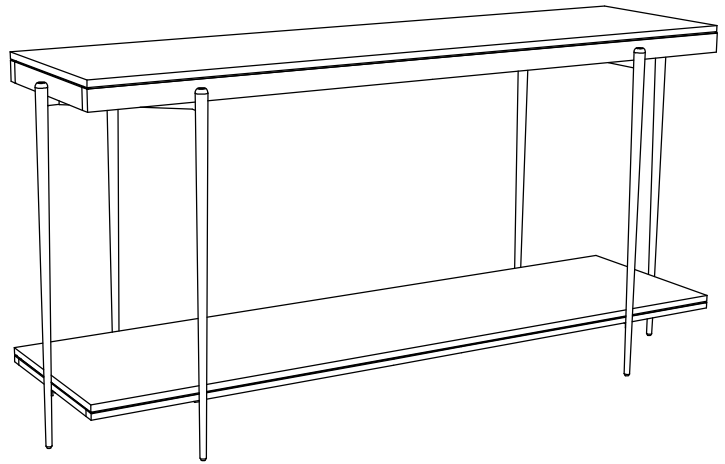
HEKMAN®

A HOWARD MILLER COMPANY

ASSEMBLY INSTRUCTION FOR 23708 SOFA TABLE

HARDWARE LIST

NO.	ITEM	DESCRIPTIN	QTY.
1		JCB Bolt M6 X20 MM	14
2		Flat washer M6X18 MM	14
3		Allen wrench	1



TO ASSEMBLY :

- STEP 1 : Unpack sofa table and turn the bottom shelf (c) upside down .
- STEP 2 : Align holes in legs (B) with holes on bottom of shelf (c)
- STEP 3 : Thread the flat washer(2) , JCB bolt (1) to leg (B) . Do not tighten bolts fully
- STEP 4 : Align the holes in legs(B) with inserts in top panel(A).
- STEP 5 : Thread the flat washer(2) , JCB bolt (1) to leg (B) & top(A) . Do not tighten bolts fully
- STEP 6 : Tighten bolts in step 2 fully with allen wrench (3) then carefully turn the table upright.