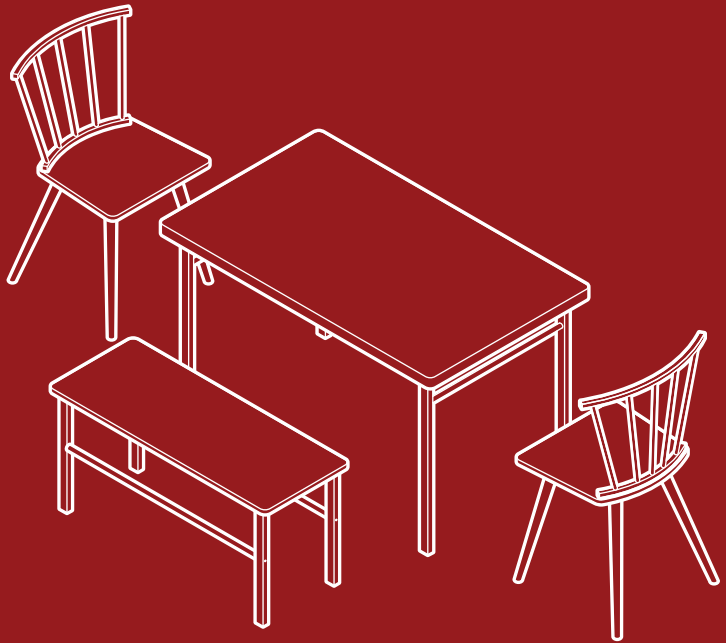




BEST CHOICE
PRODUCTS



INSTRUCTION MANUAL

4-Piece Spindle-Back Dining Set
with Bench Seat and 2 Chairs



ALLEN WRENCH
(PROVIDED)



200 LBS
TABLE
CAPACITY



275 LBS
CHAIR
CAPACITY



275 LBS
BENCH
CAPACITY



2 PERSON
ASSEMBLY



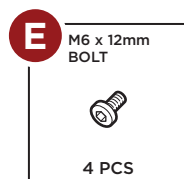
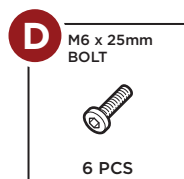
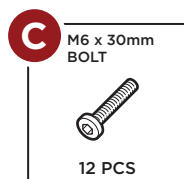
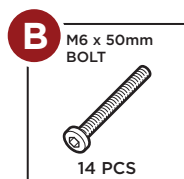
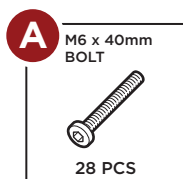
UP TO 45 MIN.
ASSEMBLY

! NOTICE

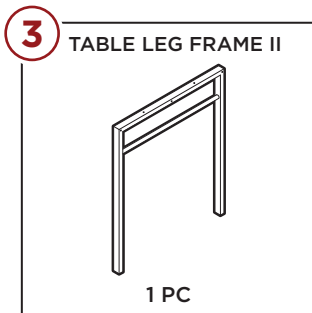
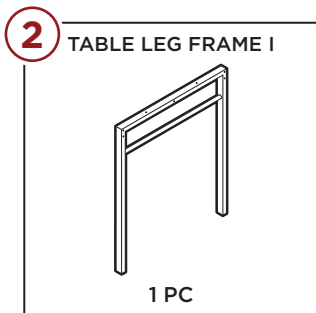
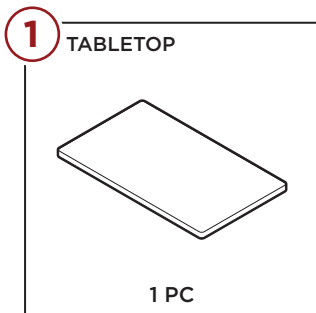
Please retain these instructions for future reference.

- Please do not exceed the weight limitations of this item.
- Do not stand on or use any part of this item as a step ladder.
- Firmly secure all bolts, screws, or knobs before use.
- Reconfirm that all bolts, screws, or knobs are secure every 90 days.
- Fasten screws loosely during initial assembly. Do not firmly tighten the screws until the item is completely assembled.
- Do not use or store this item in the proximity of open flame or flammable/combustible chemicals.
- Be aware that some parts are heavy and have sharp edges.
- Assemble this item on a flat, level, and stable surface for an ideal construction.
- This product is intended for indoor use only.
- If any parts are missing, broken, damaged, or worn, stop using this product until repairs are made and/or factory replacement parts are installed.
- Do not use this item in a way inconsistent with the manufacturer's instructions as this could void the product warranty.
- This product is intended for residential use only.

HARDWARE



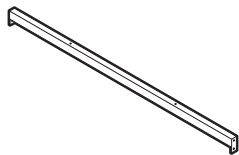
PARTS



PARTS

4

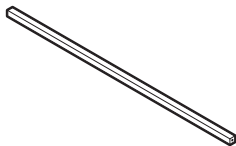
TABLE SIDE FRAME



2 PCS

5

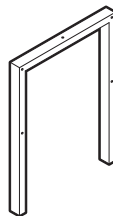
TABLE CENTER SUPPORT



1 PC

6

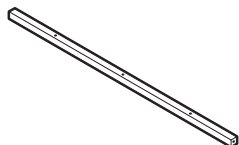
BENCH LEGS



2 PCS

7

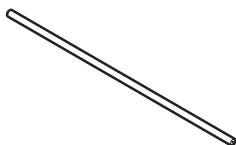
BENCH SIDE FRAME



2 PCS

8

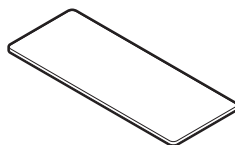
BENCH SUPPORT BAR



2 PCS

9

BENCH SEAT



1 PC

10

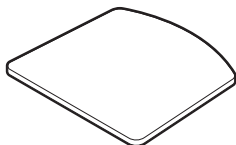
BACKREST



2 PCS

11

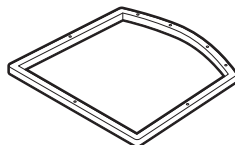
CHAIR SEAT



2 PCS

12

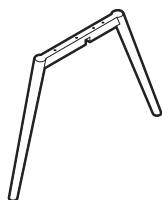
CHAIR FRAME



2 PCS

13

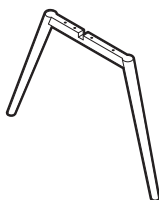
CHAIR LEG (TOP)



2 PCS

14

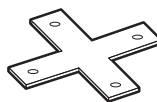
CHAIR LEG (BOTTOM)



2 PCS

15

CONNECTOR PLATE



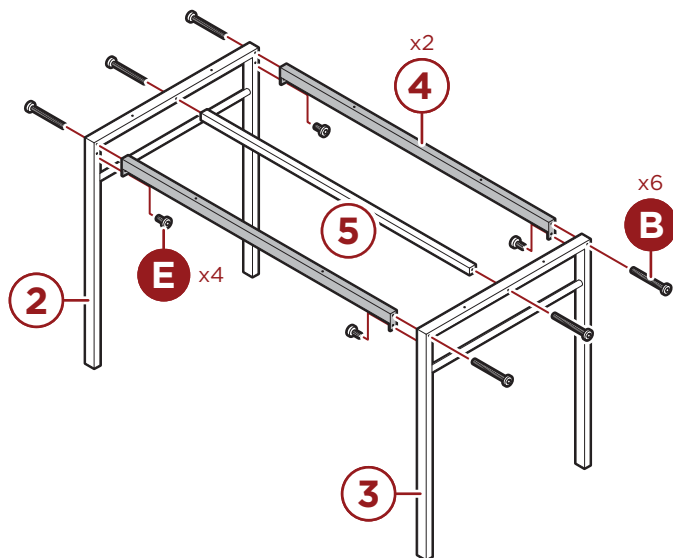
2 PCS

TABLE ASSEMBLY

1

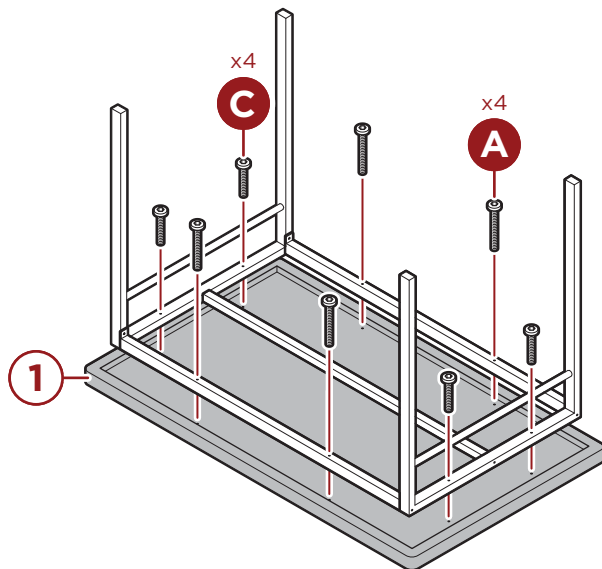
Attach two **part 4 table side frames** and one **part 5 table center support** to the **part 2 table leg frame II** with three **part B bolts** and two **part E bolts**.

Attach two **part 4 table side frames** and one **part 5 table center support** to the **part 3 table leg frame I** with three **part B bolts** and two **part E bolts**.



2

Place the **part 1 tabletop** onto a flat, level surface, top side down, then attach the **part 4 table side frames** with four **part A bolts**. Attach the **part 2 & 3 table leg frames** with four **part C bolts**.



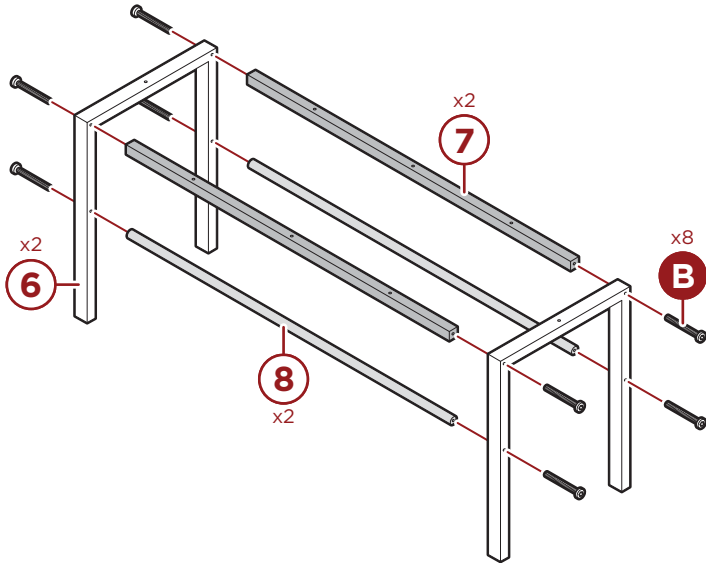
BENCH ASSEMBLY

1

Attach two **part 7 bench side frames** to one **part 6 bench leg** with two **part B bolts**.

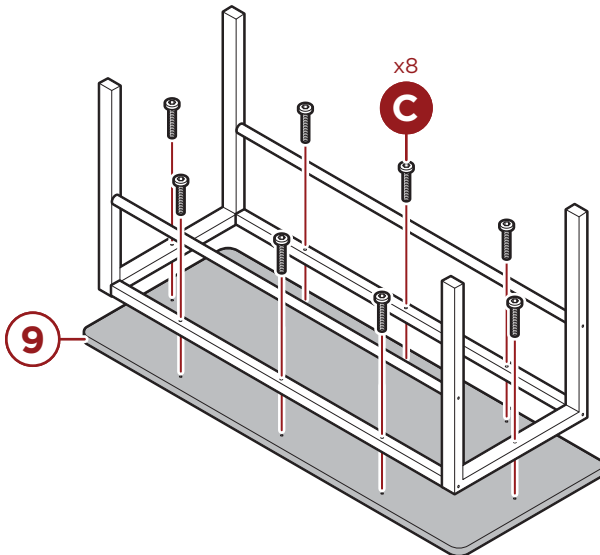
Attach two **part 8 bench support bars** with two **part B bolts**.

Attach the **part 7 bench side frames** and **part 8 bench support bars** to another **part 6 bench leg** with four **part B bolts**.



2

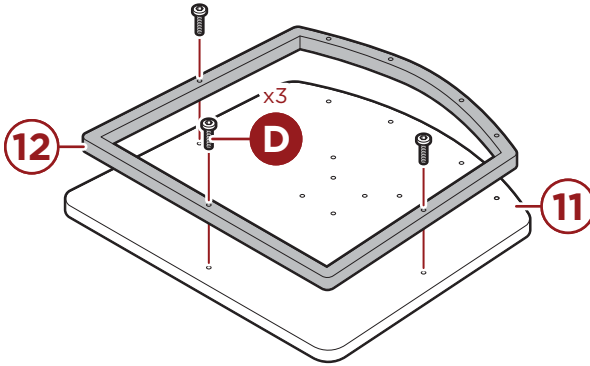
Place the **part 9 bench seat** onto a flat, level surface, top side down, then attach the **part 7 bench side frames** and **part 6 bench legs** with eight **part C bolts**.



CHAIR ASSEMBLY

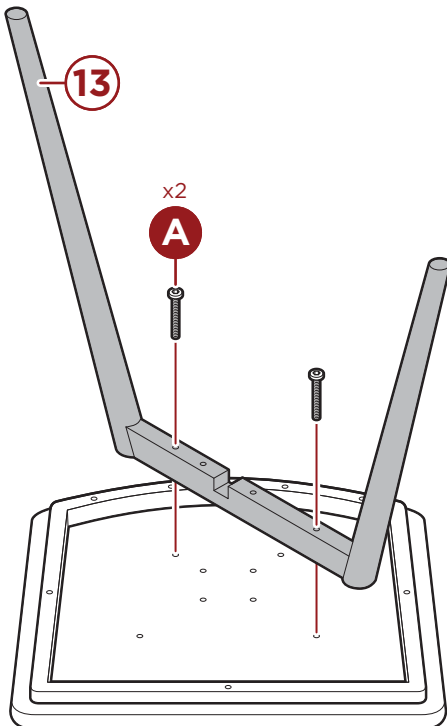
1

Attach one **part 12 chair frame** to one **part 11 chair seat** with three **part D bolts**.



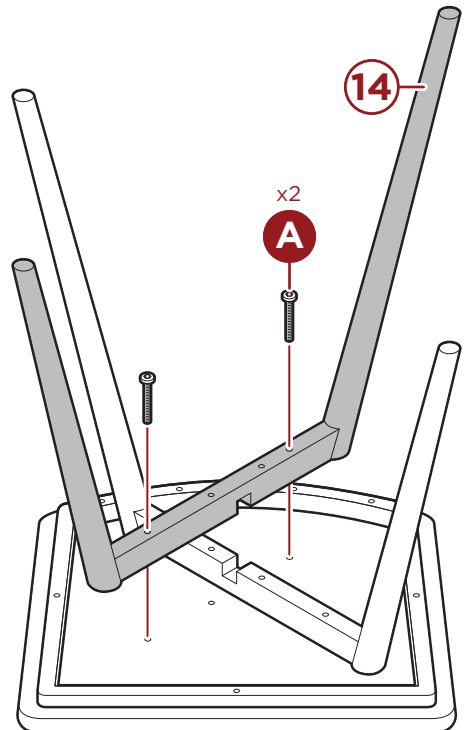
2

Attach one **part 13 chair leg (top)** to the bottom of the **part 11 chair seat** with two **part A bolts**.



3

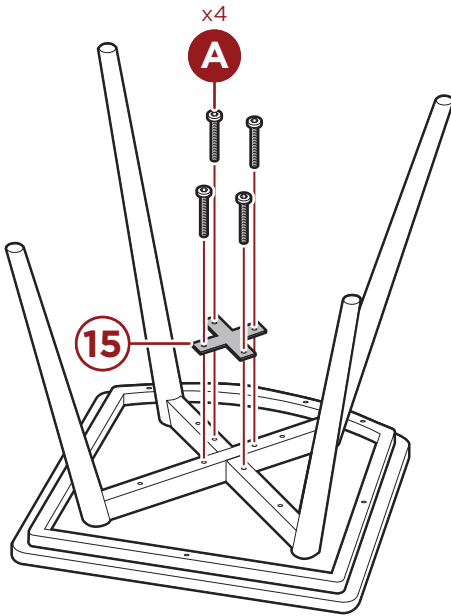
Attach one **part 14 chair leg (bottom)** to the bottom of the **part 11 chair seat** with two **part A bolts**.



CHAIR ASSEMBLY

4

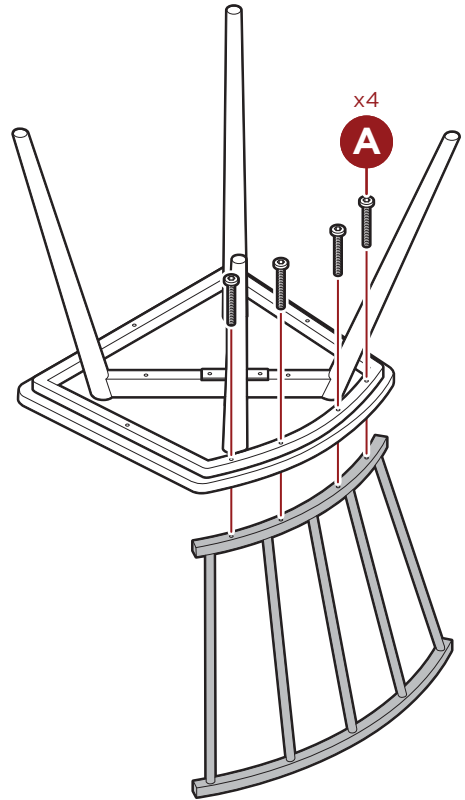
Attach the **part 15 connector plate** to the **part 13** and **14** chair legs with four **part A** bolts.



5

Attach the **part 10 backrest** to the back of the **part 11 chair seat** with four **part A** bolts.

Repeat **steps 1-5** to assemble a second chair and enjoy.





HELP CENTER



Question about your product? We're here to help. Visit us at:

help.bestchoiceproducts.com



Chat Support



Product Inquiry



Orders FAQ



Product Assembly



Returns & Refunds

PRODUCT WARRANTY INFORMATION

All items can be returned for any reason within 60 days of the receipt and will receive a full refund as long as the item is returned in its original product packaging and all accessories from its original shipment are included. All returned items will receive a full refund back to the original payment method. All returned items will not be charged a re-stocking fee.

All returned items require an RA (Return Authorization) number, which can only be provided by a Best Choice Products Customer Service Representative when the return request is submitted. Items received without an RA may not be accepted or may increase your return processing time. Once an item has been received by Best Choice Products, refunds or replacements will be processed within 5 business days.

All returns must be shipped back to the Best Choice Products Return Center at the customer's expense. If the reason for return is a result of an error by Best Choice Products then Best Choice Products will provide a pre-paid shipping label via email. Boxes for return shipping will not be provided by Best Choice Products, and is the customer's responsibility to either use the original shipping boxes or purchase new boxes.

Pictures may be required for some returns to ensure an item is not damaged prior to its return. Items returned are not considered undamaged until they are received by Best Choice Products and verified as such. All damages to items are the customer's responsibility until the item has been received by and acknowledged by Best Choice Products as undamaged.

© Best Choice Products, Inc. All rights reserved. Distributed by Best Choice Products, Inc. Tustin, CA 92780

WARNING

Manufacturer and seller expressly disclaim any and all liability for personal injury, property damage or loss, whether direct, indirect, or incidental, resulting from the incorrect attachment, improper use, inadequate maintenance, unapproved modification, or neglect of this product.