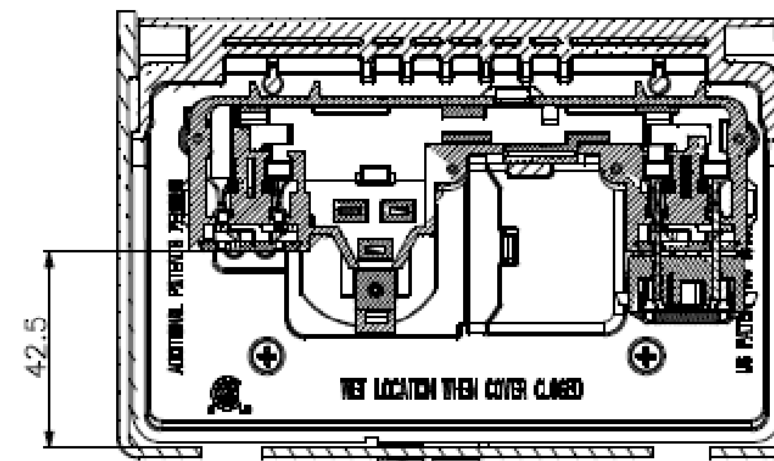
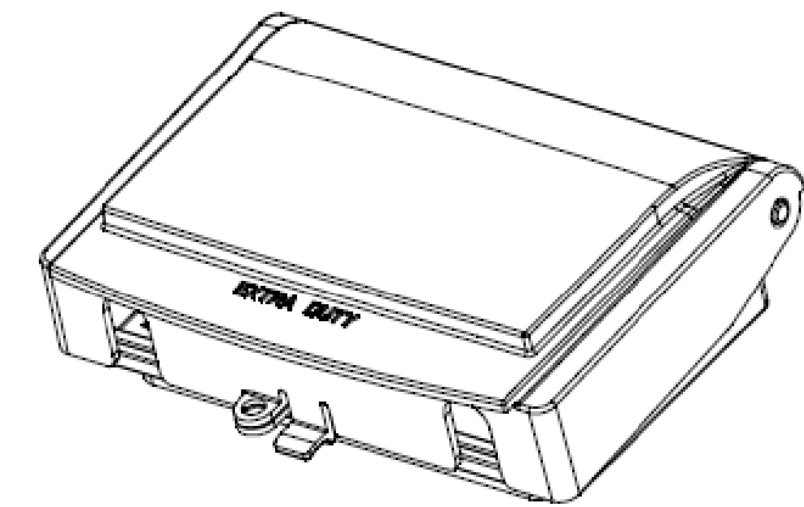
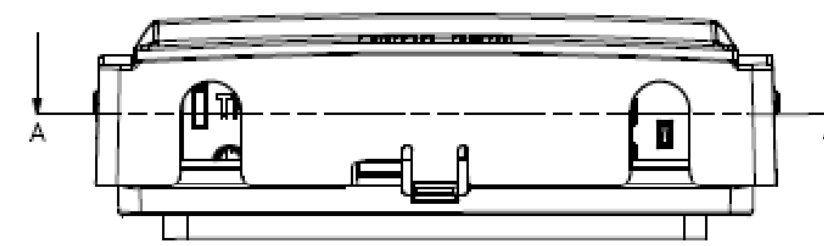
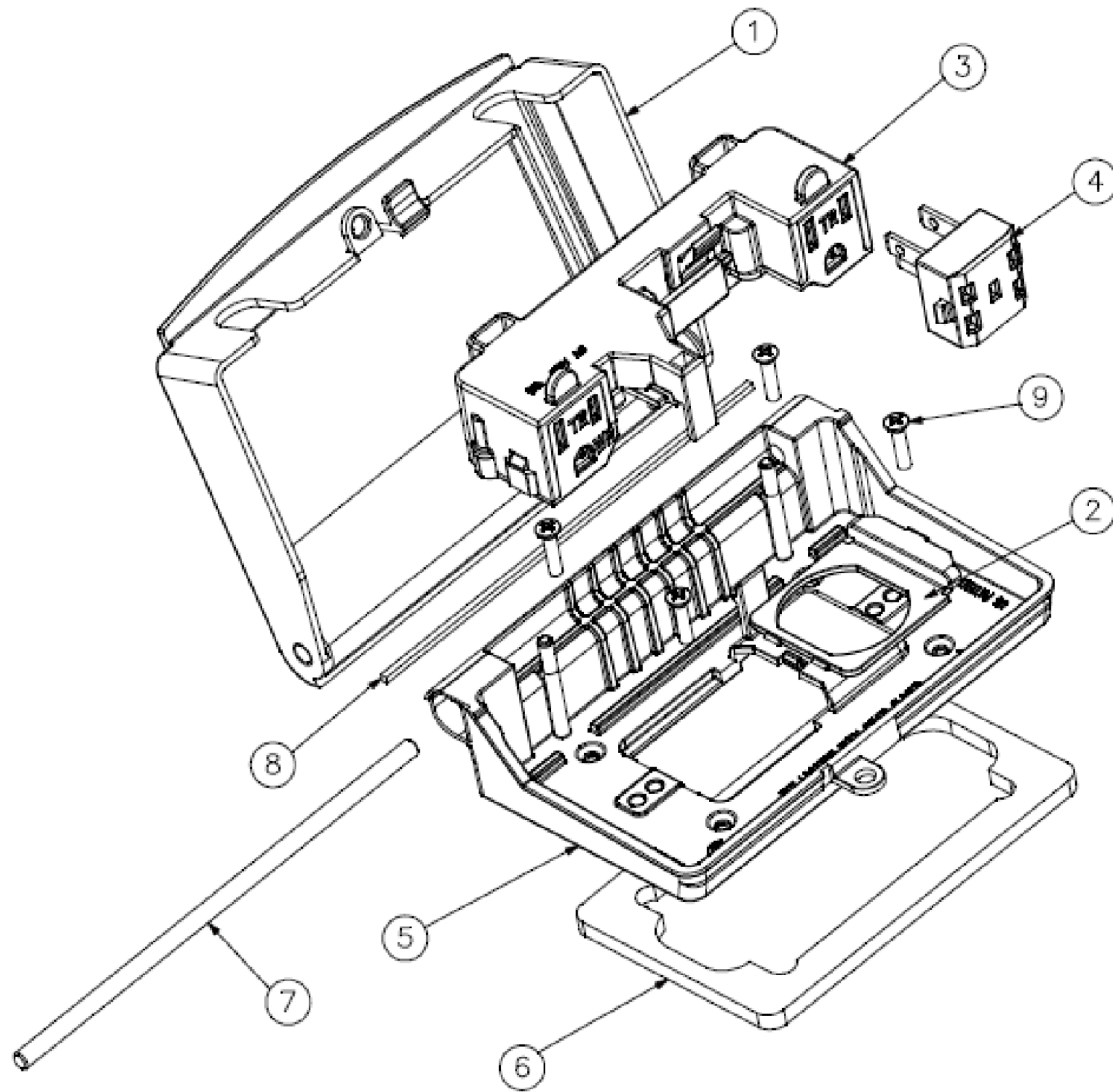


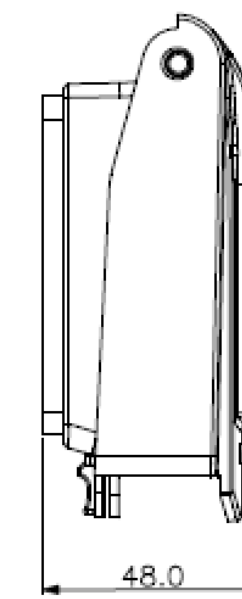
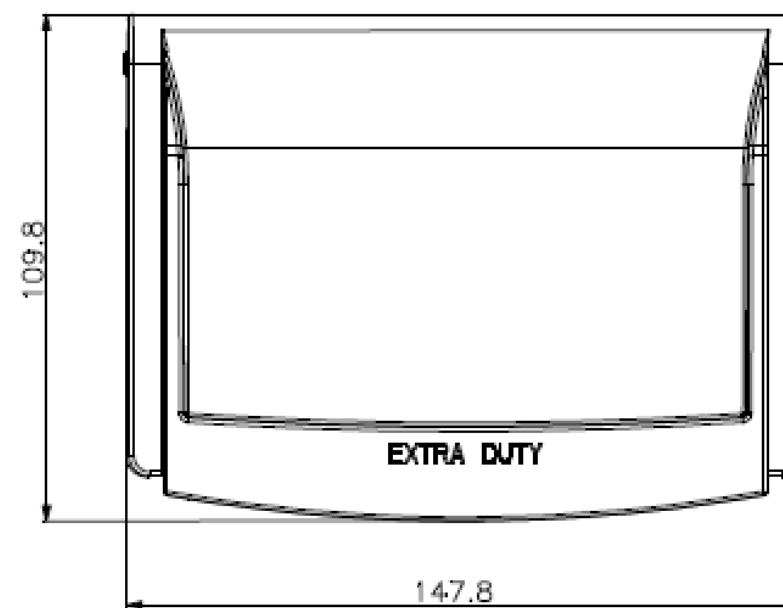
ZONE	NO.	DESCRIPTION	DATE	APPRD.	LTR. NO.
	1	SUBMIT FOR RELEASE	5/7/2020	PW	

SINGLE GANG HORIZONTAL SLIMLINE EXTRA DUTY WIU COVER

WIUS1HT1	TRANSPARENT GREY
WIUS1HG1	GREY
WIUS1HW1	WHITE



SECTION A-A



09	POLYBAG ACCESSORIES (SCREWS 4 NOS)	POLYBAG	1
08	GASKET FOR HORIZONTAL SLIMLINE	POLYETHELEN FOAM	1
07	HINGE PIN FOR HORIZONTAL	STEEL	1
06	WIU COVER GASKET	POLYETHELEN FOAM	1
05	BASE FOR HORIZONTAL SLIMLINE	POLYCARBONATE	1
04	SLIMLINE ADAPTOR ASM.	POLYCARBONATE	1
03	SLIMLINE TRWR CURRENT TAB ASM.	POLYCARBONATE	1
02	ADAPTORS FOR SLIMLINE	POLYCARBONATE	1
01	LID FOR HORIZONTAL SLIMLINE	POLYCARBONATE	1
S.NO.	PART NAME	MATERIAL	QTY

NOTES:

- CERTIFICATION/LISTING:
- ENVIRONMENTAL RATING:
-WEATHERPROOF
-WET LOCATION
-NEMA 3R

<small>THIS IS PROPERTY OF EATON AND CONTAINS CONFIDENTIAL AND TRADE SECRET INFORMATION. POSSESSION DOES NOT CONVEY ANY RIGHTS TO LOAN, SELL OR DISCLOSE SAID INFORMATION. REPRODUCTION OR USE FOR ANY PURPOSE OTHER THAN WHICH IT WAS SUPPLIED MAY NOT BE MADE WITHOUT EXPRESS WRITTEN PERMISSION OF EATON. THIS DRAWING IS ON LOAN AND IS TO BE RETURNED UPON REQUEST.</small>		TOLERANCES UNLESS OTHERWISE SPECIFIED <table border="1"> <tr> <th></th> <th>in.</th> <th>mm</th> </tr> <tr> <td>.X</td> <td>± .1</td> <td>± .3</td> </tr> <tr> <td>.XX</td> <td>± .01</td> <td>± .13</td> </tr> <tr> <td>.XXX</td> <td>± .005</td> <td>± .000</td> </tr> <tr> <td>ANGLES</td> <td>± 1.5°</td> <td>± 1.5°</td> </tr> </table>			in.	mm	.X	± .1	± .3	.XX	± .01	± .13	.XXX	± .005	± .000	ANGLES	± 1.5°	± 1.5°	<small>UNLESS OTHERWISE SPECIFIED, ALL PRIMARY DIMENSIONS ARE IN INCHES. DIMENSIONS IN [] ARE IN MILLIMETERS.</small>	
			in.	mm																
.X	± .1	± .3																		
.XX	± .01	± .13																		
.XXX	± .005	± .000																		
ANGLES	± 1.5°	± 1.5°																		
MATERIAL:	DIM AND TOL IN ACCORDANCE WITH ASME Y14.5 2009.	ORIGINAL DATE	05/4/2020	EATON CROUSE-HINDS SERIES WIU COVER, SLIMLINE 1 GANG HORIZONTAL EXTRA DUTY <small>FIRST MADE FOR WEATHERPROOF</small>																
FINISH:	THIRD ANGLE PROJECTION	REDRAWN DATE	TAK																	
NEXT ASSY.	USED ON	CHECKED BY		SIZE	CODE IDENT. NO.	WIU <small>REV. 1</small>														
APPLICATION		APPROVED BY		SCALE 1:1	WT.		SHEET 1 OF 1													