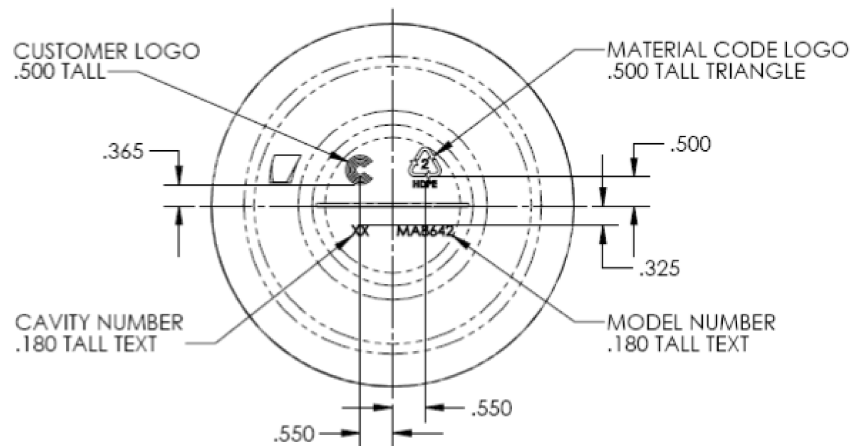
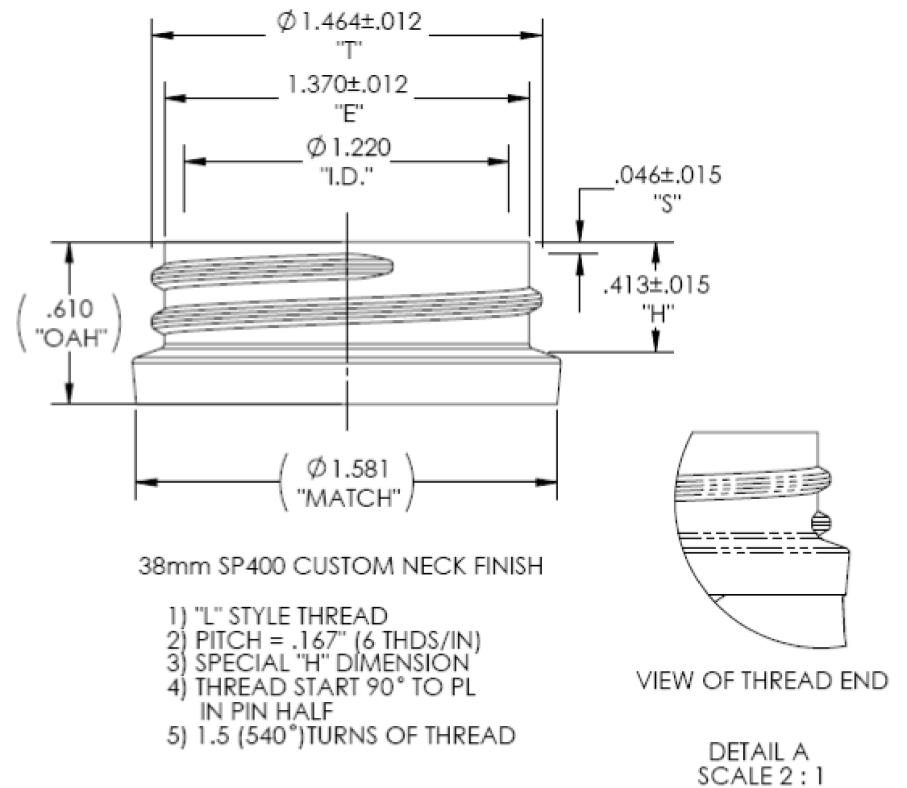


128oz. VERSION



ALL ENGRAVING RAISED .008-.010

DISCLAIMER

THIS INFORMATION IS PROVIDED AS A GENERAL GUIDE, INCLUDING DIMENSIONS. IT IS THE CUSTOMER'S RESPONSIBILITIES TO SELECT THE PROPER CONTAINER FOR PRODUCT AND APPLICATION COMPATIBILITY.

DISTRIBUTED BY:



REF NO.:

DWG30015

DESCRIPTION:

128 oz HDPE Industrial Round, 38-400, 100 Gram