



WARNING

Adult Assembly Required.

The assembly manual must be retained since it contains important information

Not suitable for children under two years due to sharp points and small parts.

FOR DOMESTIC USE ONLY. INTENDED FOR OUTDOOR USE.

CAN ICES-003 (B)/NMB-003(B)



average 2 person assembly time



average tube slide assembly time



assembly time may vary based on skill level

Before you begin >>>

FOR QUICK & EASY ASSEMBLY

FIND 3D INSTRUCTIONS FOR THIS PRODUCT IN

BILT.

DOWNLOAD THE FREE APP

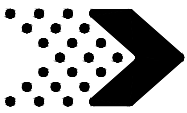
GET IT ON Google Play

Download on the App Store

For the most up to date assembly manual, to register your set, or to order replacement parts please visit www.backyarddiscovery.com

SAVE THIS ASSEMBLY MANUAL FOR FUTURE REFERENCE IN THE EVENT THAT YOU NEED TO ORDER REPLACEMENT PARTS.

Para obtener instrucciones en español, visite www.backyarddiscovery.com



Place the set on level ground, not less than 6'-7" [2 m] from any structure or obstruction such as a fence, garage, house, overhanging branches, laundry lines, or electrical wires.

- While assembling unit, take time before and after each phase to make sure fort is level. If fort is not level, assembly will be difficult and improper assembly may result. Extra care must be taken to insure the fort is square.
- The safe play area refers to a zone extending 6'-7" (2m) beyond the play product on all sides, including the space above the play product.

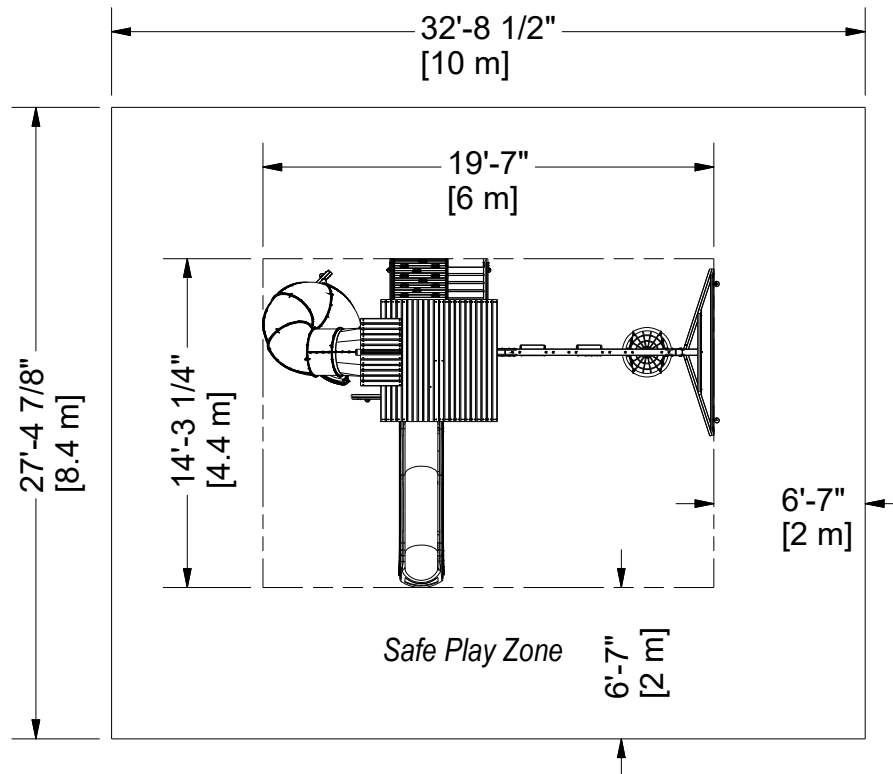
SAFE PLAY AREA DIAGRAM

Ground Dimension

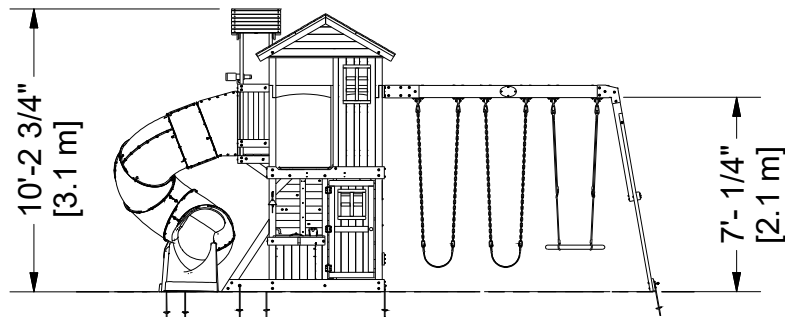
19'-7" x 14'-3 1/4" x 10'-2 3/4"
6m x 4.4m x 3.1m

Safe Play Area

32'-8 1/2" x 27'-4 7/8"
10m x 8.4m

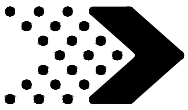


SAFE PLAY HEIGHT: 16'-9 3/4" [5.1 m]
MAXIMUM FALL HEIGHT: 7'-1/4" [2.1 m]



General Information:

Your set has been designed and engineered for children only and for residential use only.
 A maximum of 150 lbs. per child is recommended for play activities designed for individual use.
 A maximum of 120 lbs. per child is recommended for play activities designed for multiple child use.
 A maximum of 9 children is recommended for this swing set.



A1 | **SWING BEAM - W4L12440**
 (x1) | 3 3/8"x5 1/4"x89 1/2" (86x134x2274)



A2 | **SB 9" BLOCK - W4L12441**
 (x1) | 3 3/8"x5 1/4"x9" (86x134x228)



B1 | **POST - W4L12286**
 (x1) | 3"x3"x89 1/2" (76x76x2274)



B2 | **POST - W4L12287**
 (x1) | 3"x3"x89 1/2" (76x76x2274)



B3 | **POST - W4L12288**
 (x1) | 3"x3"x89 1/2" (76x76x2274)



B4 | **POST - W2A02758**
 (x1) | 3"x3"x89 1/2" (76x76x2274)



B5 | **UPPER POST - W4L12397**
 (x2) | 3"x3"x21 1/4" (76x76x541)

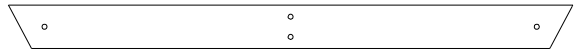
B6 | **UPPER POST - W4L12428**
 (x2) | 3"x3"x21 1/4" (76x76x541)

E1 | **BRACE - W4L12312**
 (x3) | 1 3/8"x3 3/8"x13 5/8" (36x86x347)



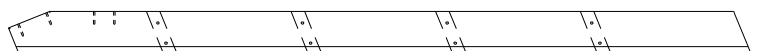
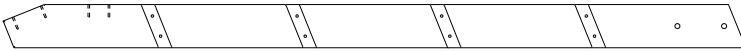
E2 | **BRACE - W4L12418**
 (x2) | 1 3/8"x3 3/8"x13 7/8" (36x86x351)

E4 | **S.B. ANGLE BRACE - W4L12444**
 (x2) | 1 3/8"x3 3/8"x88 3/4" (36x86x2254)



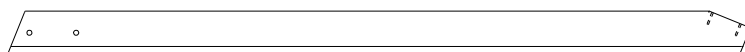
E3 | **BRACE - W4L12500**
 (x1) | 1 3/8"x3 3/8"x37 3/4" (36x86x959)

E5 | **S.B. END SUPPORT - W4L12443**
 (x1) | 1 3/8"x3 3/8"x44 1/8" (36x86x1120)



E6 | **LEFT UPRIGHT - W4L12490**
 (x1) | 1 3/8"x3 3/8"x58" (36x86x1474)

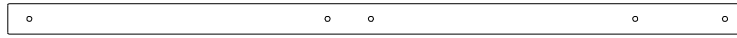
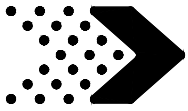
E7 | **MIDDLE UPRIGHT - W4L12491**
 (x1) | 1 3/8"x3 3/8"x58" (36x86x1474)



E8 | **RIGHT UPRIGHT - W4L12495**
 (x1) | 1 3/8"x3 3/8"x58" (36x86x1474)



F1 | **WALL UPRIGHT - W4L12398**
 (x2) | 1 3/8"x2 3/8"x60 3/8" (36x60x1533)



F2 | WALL UPRIGHT - W4L12405
(x2) | 1 3/8"x2 3/8"x57 3/4" (36x60x1467)



F3 | DOOR STOP - W4L12501
(x2) | 1 3/8"x1 3/8"x3 7/8" (36x36x100)



G1 | GROUND BOARD - W4L12290
(x1) | 1"x5 1/4"x70 3/4" (24x134x1798)



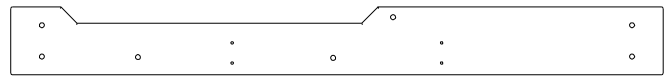
G2 | GROUND BOARD - W4L12291
(x1) | 1"x5 1/4"x72 1/4" (24x134x1835)



G4 | GROUND BOARD - W4L12293
(x1) | 1"x5 1/4"x72 1/4" (24x134x1835)



G3 | GROUND BOARD - W4L12292
(x1) | 1"x5 1/4"x49 1/8" (24x134x1248)



G5 | DECK RAIL - W4L12294
(x1) | 1"x5 1/4"x51" (24x134x1296)



G6 | DECK RAIL - W4L12295
(x1) | 1"x5 1/4"x47" (24x134x1194)



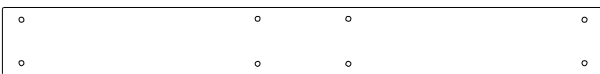
G7 | DECK RAIL - W4L12296
(x1) | 1"x5 1/4"x51" (24x134x1296)



G8 | DECK RAIL - W4L12297
(x1) | 1"x5 1/4"x47" (24x134x1194)



G9 | UPPER DECK RAIL - W4L12299
(x1) | 1"x5 1/4"x50 1/8" (24x134x1272)



G10 | UPPER DECK RAIL - W4L12301
(x1) | 1"x5 1/4"x47" (24x134x1194)



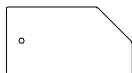
G12 | CROSS SUPPORT - W4L12315
(x1) | 1"x5 1/4"x65 1/4" (24x134x1658)



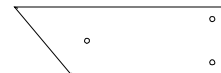
G14 | COUNTER TOP SUPPORT - W4L12322
(x3) | 1"x5 1/4"x9 7/8" (24x134x250)



G13 | CROSS SUPPORT - W4L12314
(x1) | 1"x5 1/4"x65 1/4" (24x134x1658)



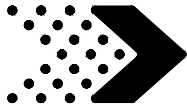
G15 | COUNTER TOP SUPPORT - W4L12425
(x1) | 1"x5 1/4"x9 7/8" (24x134x250)



G17 | CROSS BRACE - W4L12966
(x2) | 1"x5 1/4"x17" (24x134x430)



G16 | GROUND BOARD - W4L12442
(x1) | 1"x5 1/4"x86 3/4" (24x134x2202)

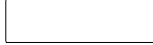


Parts Identification

Wood Components (Not to Scale)



H1 | DECK SUPPORT - W4L12306
(x2) | 1"x3 3/8"x47" (24x86x1194)



H3 | DECK SUPPORT - W4L12410
(x1) | 1"x3 3/8"x11 3/4" (24x86x297)



H5 | DECK SUPPORT - W4L12408
(x1) | 1"x3 3/8"x30 3/8" (24x86x772)



H7 | TOP RAIL BOARD - W4L12404
(x1) | 1"x3 3/8"x30 3/8" (24x86x772)



H9 | FACIA - W4L12402
(x1) | 1"x3 3/8"x49 1/8" (24x86x1248)



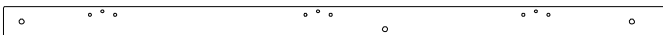
H11 | FACIA - W4L12401
(x1) | 1"x3 3/8"x56 3/4" (24x86x1440)



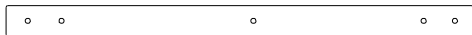
H13 | FACIA - W4L12427
(x1) | 1"x3 3/8"x49 1/8" (24x86x1248)



H15 | COUNTER SUPPORT - W4L12424
(x1) | 1"x3 3/8"x3 3/4" (24x86x94)



J1 | WALL UPRIGHT - W4L12303
(x1) | 1"x2 3/8"x51 3/4" (24x60x1314)



J3 | WALL UPRIGHT - W4L12396
(x1) | 1"x2 3/8"x36 1/2" (24x60x927)



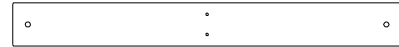
K1 | WALL BOARD - W4L12399
(x2) | 5/8"x5 1/4"x52 3/8" (16x134x1329)



K3 | COUNTER TOP - W4L12318
(x1) | 5/8"x5 1/4"x23 5/8" (16x134x600)



H2 | DECK SUPPORT - W4L12403
(x2) | 1"x3 3/8"x13 5/8" (24x86x345)



H4 | DECK SUPPORT - W4L12414
(x1) | 1"x3 3/8"x30 3/8" (24x86x772)



H6 | TOP RAIL BOARD - W4L12406
(x4) | 1"x3 3/8"x13 5/8" (24x86x345)



H8 | TOP RAIL BOARD - W4L12417
(x1) | 1"x3 3/8"x25 5/8" (24x86x652)



H10 | FACIA - W4L12429
(x1) | 1"x3 3/8"x51" (24x86x1296)



H12 | FACIA - W4L12400
(x1) | 1"x3 3/8"x56 3/4" (24x86x1440)



H14 | ROOF JOIST - W4L12432
(x2) | 1"x3 3/8"x30 3/8" (24x86x770)



H16 | LADDER RUNG - W4L12492
(x4) | 1"x3 3/8"x19 1/4" (24x86x489)



J2 | WALL UPRIGHT - W4L12302
(x1) | 1"x2 3/8"x52 1/2" (24x60x1334)



J4 | SLIDE ATTACHMENT BOARD - W4L12407
(x2) | 1"x2 3/8"x27 5/8" (24x60x703)

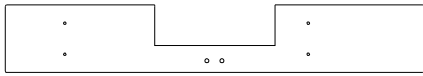


K4 | COUNTER TOP - W4L12319
(x1) | 5/8"x5 1/4"x23 5/8" (16x134x600)



Parts Identification

Wood Components (Not to Scale)



K5 | COUNTER TOP - W4L12320
(x1) 5/8"x5 1/4"x32 3/4" (16x134x832)



K7 | COUNTER TOP - W4L12423
(x1) 5/8"x5 1/4"x22 1/2" (16x134x570)



L1 | FACIA - W4L12431
(x1) 5/8"x4 3/8"x51" (16x112x1296)



M2 | DECK BOARD - W4L12411
(x2) 5/8"x3 3/8"x32 1/4" (16x86x820)



M6 | LOWER RAIL - W4L12304
(x1) 5/8"x3 3/8"x47" (16x86x1194)



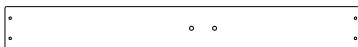
M8 | PICKET - W4L12395
(x2) 5/8"x3 3/8"x21" (16x86x533)



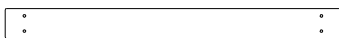
M10 | PICKET - W4L12323
(x2) 5/8"x3 3/8"x21" (16x86x533)



M12 | REAR SUPPORT - W4L12493
(x1) 5/8"x3 3/8"x21 1/4" (16x86x541)



M14 | ROCK BOARD - W4L12497
(x4) 5/8"x3 3/8"x27 3/4" (16x86x706)



N1 | UPPER PICKET - W4L12416
(x4) 5/8"x2 3/8"x26 1/4" (16x60x666)



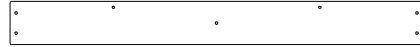
N3 | ROOF CLEAT - W4L12433
(x1) 5/8"x2 3/8"x3 15/16" (16x60x100)



K6 | COUNTER TOP - W4L12321
(x1) 5/8"x5 1/4"x32 3/4" (16x134x832)



K8 | FACIA - W4L12430
(x1) 5/8"x5 1/4"x51" (16x134x1296)



M1 | DECK BOARD - W4L12409
(x1) 5/8"x3 3/8"x32 1/4" (16x86x820)



M3 | DECK BOARD - W4L12412
(x1) 5/8"x3 3/8"x32 1/4" (16x86x820)



M5 | LOWER RAIL - W4L12305
(x1) 5/8"x3 3/8"x24 7/8" (16x86x632)



M7 | PICKET - W4L12316
(x7) 5/8"x3 3/8"x21" (16x86x533)



M9 | PICKET - W4L12317
(x1) 5/8"x2 7/8"x21" (16x74x533)



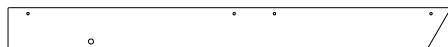
M11 | TOP RAIL BOARD - W4L12434
(x2) 5/8"x3 3/8"x30 3/8" (16x86x772)



M13 | ROCK BOARD - W4L12496
(x8) 5/8"x3 3/8"x27 3/4" (16x86x706)



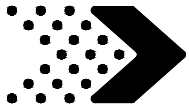
M15 | ROCK BOARD - W4L12498
(x4) 5/8"x3 3/8"x27 3/4" (16x86x706)



M16 | FACIA BOARD - W4L12967
(x4) 5/8"x3 3/8"x34 5/8" (16x86x880)



N2 | COUNTERTOP CLEAT - W4L12426
(x1) 5/8"x2 3/8"x5 7/8" (16x60x150)



Parts Identification

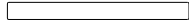
Wood Components (Not to Scale)



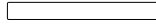
N4 | **ROCK BOARD - W4L12499**
(x1) | 5/8"x2 3/8"x27 3/4" (16x60x706)



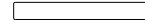
N5 | **ROCKWALL CLEAT - W4L12965**
(x1) | 5/8"x2 3/8"x54 1/2" (16x60x1385)



O1 | **WINDOW TRIM - W4L12419**
(x2) | 5/8"x1 3/8"x14 1/4" (16x34x361)



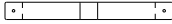
O2 | **WINDOW TRIM - W4L12420**
(x2) | 5/8"x1 3/8"x11 7/8" (16x34x301)



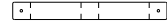
O3 | **WINDOW TRIM - W4L12435**
(x2) | 5/8"x1 3/8"x10 3/8" (16x34x265)



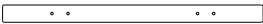
O4 | **WINDOW TRIM - W4L12436**
(x2) | 5/8"x1 3/8"x12" (16x34x306)



O5 | **WINDOW TRIM - W4L12437**
(x1) | 5/8"x1 3/8"x13 1/8" (16x34x333)



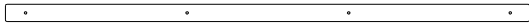
O6 | **WINDOW TRIM - W4L12438**
(x1) | 5/8"x1 3/8"x12" (16x34x306)



O70 | **SLIDE MOUNTING BOARD - W4L09040**
(x1) | 5/8"x1 3/8"x20 3/8" (16x34x517)



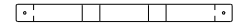
SP1 | **SWING BEAM SUPPORT - W4L12439**
(x1) | 3 3/8"x3 3/8"x49 3/8" (86x86x1254)



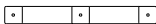
T1 | **DECK SUPPORT - W4L12308**
(x2) | 1"x1 3/8"x41" (24x34x1040)



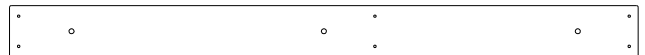
T2 | **DECK SUPPORT - W4L12311**
(x4) | 1"x1 3/8"x3" (24x34x76)



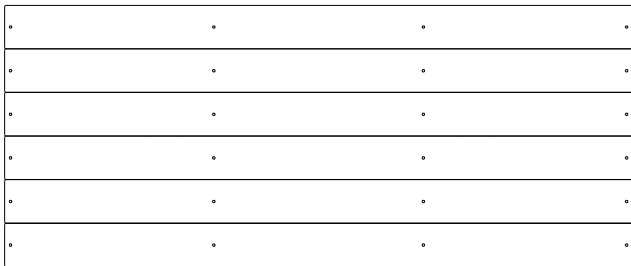
T3 | **WINDOW FRAME - W4L12421**
(x1) | 1"x1 3/8"x16 7/8" (24x34x429)



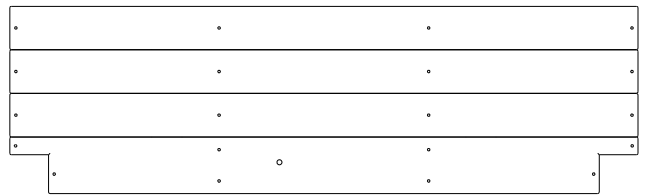
T4 | **WINDOW FRAME - W4L12422**
(x2) | 1"x1 3/8"x11 7/8" (24x34x301)



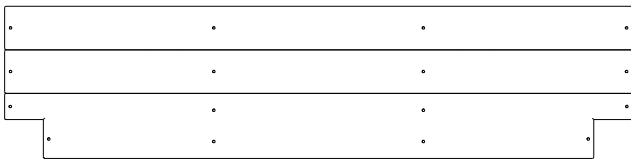
Y2 | **ATTACHMENT BOARD - W4L12494**
(x1) | 5/8"x4"x49 1/8" (16x102x1248)



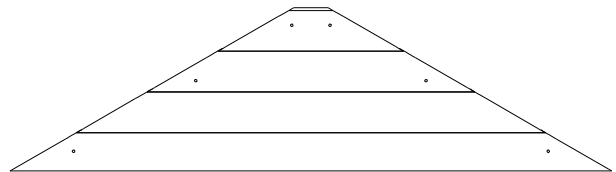
FP1 | **FLOOR PANEL - W2A02746**
(x1) | 1 1/4"x20 7/16"x49 1/16" (32x519x1247)



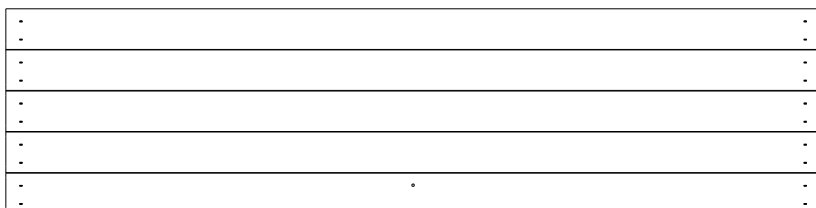
FP2 | **FLOOR PANEL - W2A02747**
(x1) | 1 1/4"x14 5/8"x49 1/16" (32x372x1247)



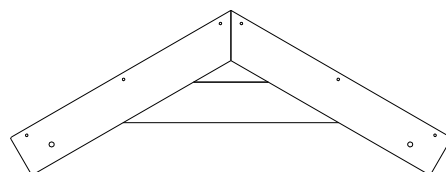
FP3 | **FLOOR PANEL - W2A02749**
(x1) | 1 1/4"x11 7/8"x49 1/16" (32x302x1247)



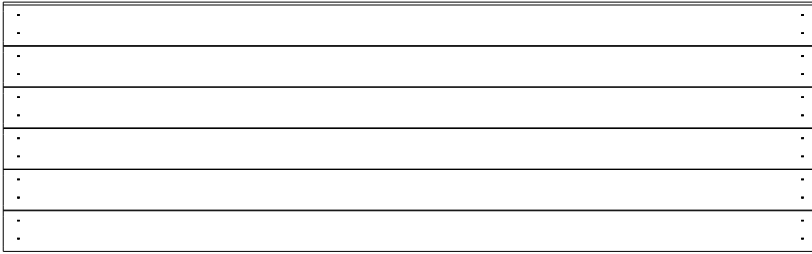
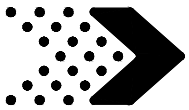
GP1 | **GUSSET PANEL - W2A02752**
(x2) | 5/8"x47"x12 3/4" (16x1194x324)



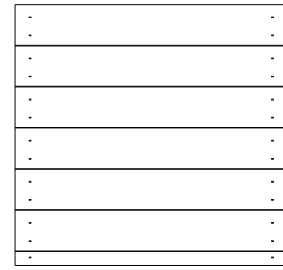
RP1 | **ROOF PANEL - W2A02753**
(x2) | 1 3/8"x15 13/16"x63 5/8" (35x401x1616)



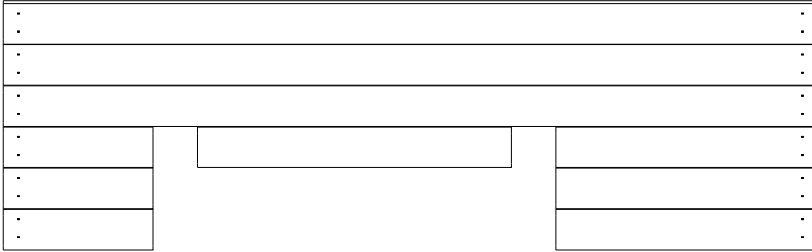
GP2 | **GUSSET PANEL - W2A02750**
(x2) | 1 1/16"x12 3/4"x34 9/16" (27x326x874)



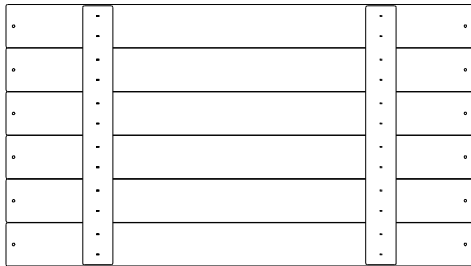
RP2 | ROOF PANEL - W2A02754
(x1) | 1 3/8"x19 7/16"x63 5/8" (35x494x1616)



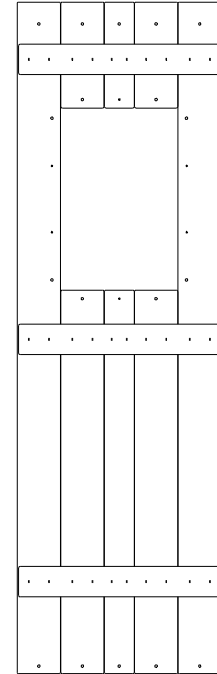
RP4 | ROOF PANEL - W2A02756
(x2) | 1 3/8"x20 3/8"x21 5/16" (35x517x541)



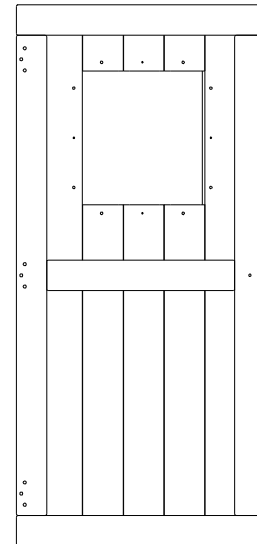
RP3 | ROOF PANEL - W2A02755
(x1) | 1 3/8"x19 7/16"x63 5/8" (35x494x1616)



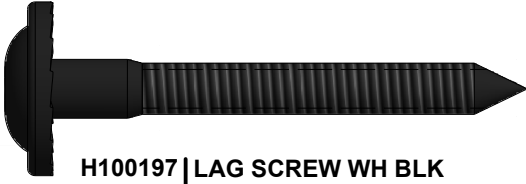
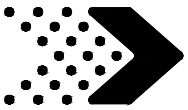
WP2 | WALL PANEL - W2A02751
(x2) | 1 1/16"x20 7/16"x36 1/2" (27x519x927)



WP1 | WALL PANEL - W2A02748
(x1) | 1 1/16"x15 15/16"x52 3/8" (27x405x1331)



DP1 | DOOR PANEL - W2A02757
(x1) | 1 1/8"x16 1/2"x43 7/8" (27x493x1072)



H100197 | LAG SCREW WH BLK
(x27) | 5/16x2 1/2



H100458 | LAG SCREW WH BLK
(x3) | 5/16x2



H100201 | SCREW PFH BLK
(x39) | 8x2-1/2



H100797 | SCREW PWH BLK
(x20) | 8x1



H100391 | SCREW PFH BLK
(x15) | 8x2



H100202 | SCREW PWH BLK
(x26) | 8x5/8



H100382 | SCREW PFH BLK
(x6) | 8x1 3/4



H100807 | SCREW POH BLK
(x10) | 8/32x1



H100200 | SCREW PFH BLK
(x252) | 8x1 1/2



H100806 | SCREW POH BLK
(x10) | 8/32x1 1/8



H100387 | SCREW PFH BLK
(x9) | 8x1-1/4



H100088 | SCREW PFH
(x4) | 8x1 1/8



H100380 | SCREW PFH BLK
(x138) | 8x1 1/8



H100489 | BOLT PTH BLK
(x26) | 1/4x3/4



H100385 | SCREW PFH BLK
(x2) | 8x1



H100816 | SCREW PFH BLK
(x17) | 8x7/8



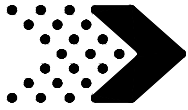
H100395 | SCREW PFH BLK
(x2) | 8x3/4



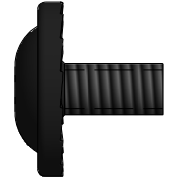
H100481 | BOLT HEX BLK
(x4) | 5/16x1 1/4



H100665 | BOLT HEX SD
(x13) | 3/8x5 3/4



H100363 | BOLT WH BLK
(x1) | 5/16X6



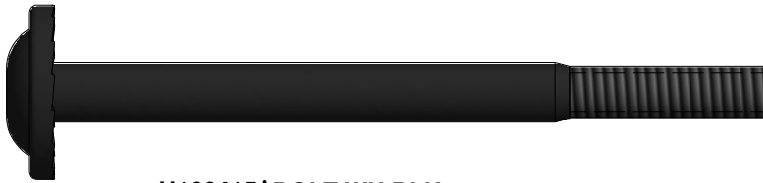
H100396 | BOLT WH BLK
(x9) | 5/16x1/2



H100534 | BOLT WH BLK
(x2) | 5/16x4 1/2



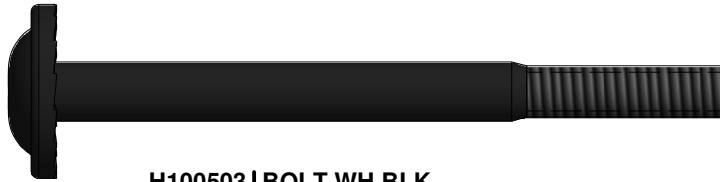
H100468 | BOLT WH BLK
(x17) | 5/16x1



H100415 | BOLT WH BLK
(x46) | 5/16x3 3/4



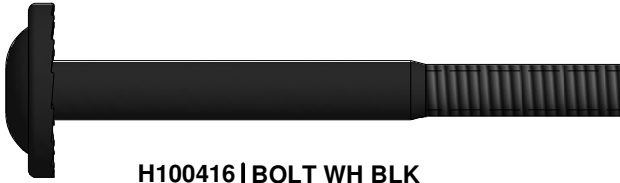
H100407 | BOLT WH BLK
(x8) | 5/16x1 1/2



H100503 | BOLT WH BLK
(x4) | 5/16x3-1/2



H100457 | BOLT WH BLK
(x11) | 5/16x2



H100416 | BOLT WH BLK
(x22) | 5/16x3



H100194 | BOLT WH BLK
(x4) | 5/16x2 1/2



H100205 | BOLT WH BLK
(x25) | 5/16x2-1/4



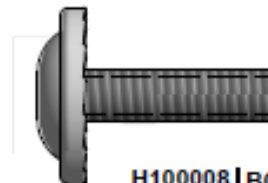
H100831 | NUT BARREL PTH
(4) | BLK
1/4x3/4



H100832 | BOLT PTH
(4) | 1/4x3/4



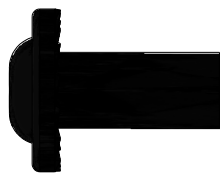
H100378 | BOLT WH BLK
(x12) | 5/16x1 3/4



H100008 | BOLT WH
(x3) | 5/16x1



H100193 | NUT BARREL WH BLK
(x2) | 5/16x1-1/2



H100192 | NUT BARREL WH BLK
(x39) | 5/16x7/8



H100469 | NUT BARREL WH BLK
(x7) | 5/16x5/8



H100004 | NUT BARREL WH
(x3) | 5/16 x 5/8



H100379 | T-NUT BLK
(x110) | 5/16



H100398 | T-NUT BLK
(x26) | 1/4



H100804 | T-NUT
(x20) | 8/32



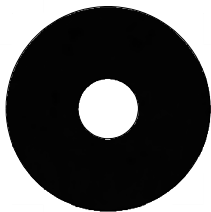
H100477 | WASHER SPLIT BLK
(x4) | 5/16



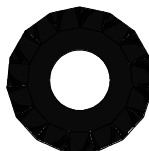
H100473 | WASHER LOCK INT BLK
(x26) | 8x15



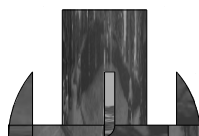
H100199 | WASHER LOCK EXT BLK
(x36) | 12x19



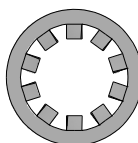
H100478 | WASHER FLAT BLK
(x4) | 8x27



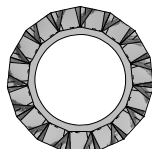
H100198 | WASHER LOCK EXT BLK
(x143) | 8x19



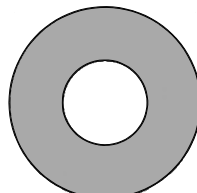
H100700 | T-NUT SD
(x13) | 3/8



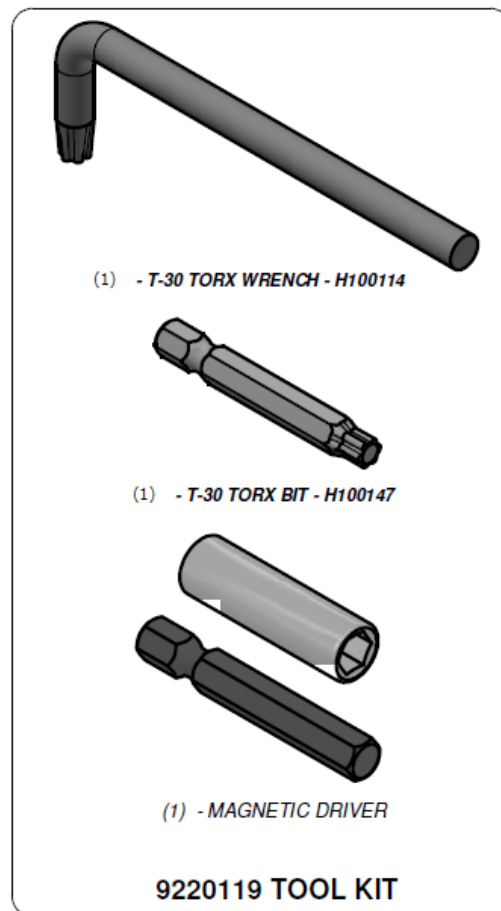
H100708 | WASHER LOCK INT SD
(x13) | 10x18

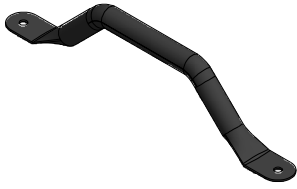
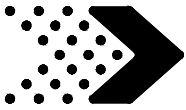


H100031 | WASHER LOCK EXT
(x3) | 12x19

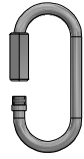


H100703 | WASHER FLAT SD
(x13) | 11x25





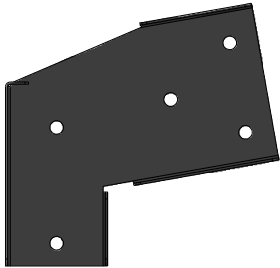
A100118 (x3) | HAND GRIP METAL GREEN 381 c/c



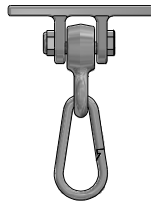
A4M00927 (x4) | QUICK LINK SD



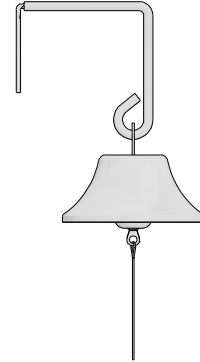
A100164 (x1) | BYD ID TAG (LARGE) AGES 3-10



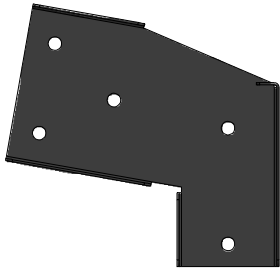
A100325 (x1) | SWING BEAM EXTENSION BRACKET-LEFT



A4M00926 (x6) | CARABINER SD



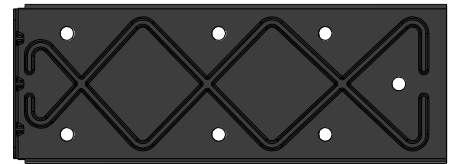
A4M01045 (1) | BELL ASSEMBLY



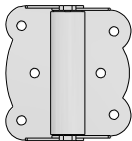
A100326 (x1) | SWING BEAM EXTENSION BRACKET-RIGHT



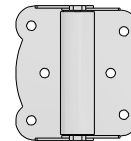
A100178 (x6) | METAL GROUND STAKE BROWN



A4M00993 (x2) | EXTENDED SWING BEAM BRACKET



A4M00624 (x2) | HINGE (DOOR, SPRING LOADED)



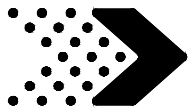
A4M00994 (x1) | HINGE (DOOR, NON-SPRING LOADED)



A100340 (x7) | L BRACKET 2.5x38x50x55



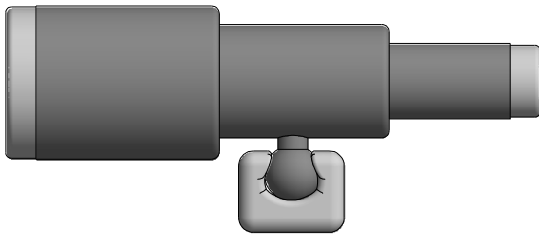
A4M01005 (x4) | CHAIN GREEN 7mm x 1452mm (57in)



A6P00362 | 26" HD BELT SWING
(x2)



A6P00037 | GREEN HC ROCK #2
(x12)



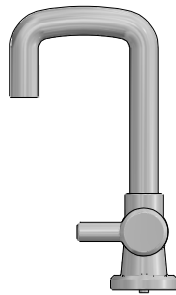
A6P00096 | Telescope
(x1)



A6P00274 | KNOB - DR.BRN
(x1)



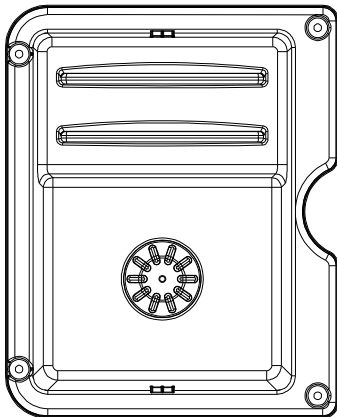
A6P00331 | BLENDER
(x1)



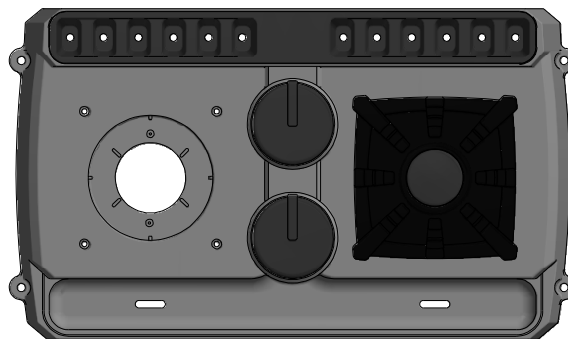
A6P00333 | FAUCET
(x1)



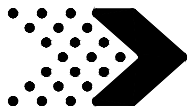
A6P00330 | INDUCTIVE BURNER KIT
(1)



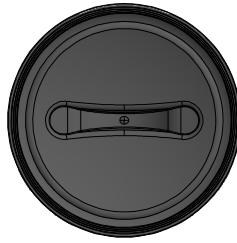
A6P00332 | PREMIUM SINK
(x1)



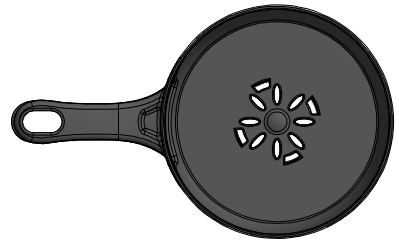
A6P00335 | STOVE BASE
(x1)



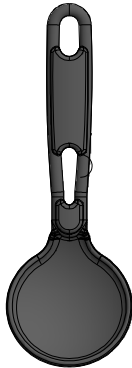
A6P00336 | BOIL POT
(x1)



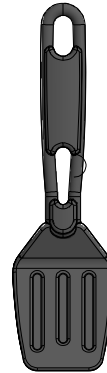
A6P00337 | POT/PAN LID
(x2)



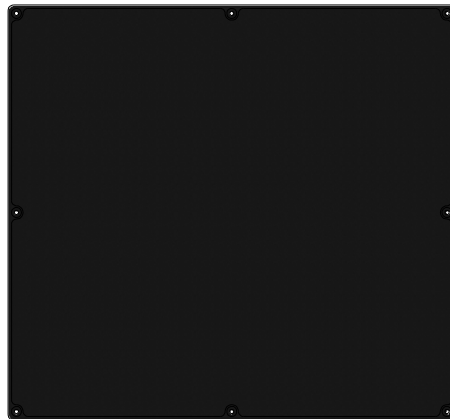
A6P00338 | FRY PAN
(x1)



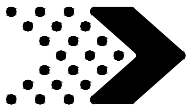
A6P00340 | LADLE
(x1)



A6P00339 | SPATULA
(x1)



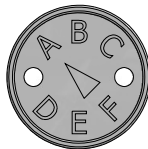
A6P00324 | CHALK BOARD LARGE
(x1)



A100287 | SLIDE VF 10 FT
(x1)



A4M01126 | 26" WEB SWING
(x1)



A100314 | "A" REVISION TAG
(x1)

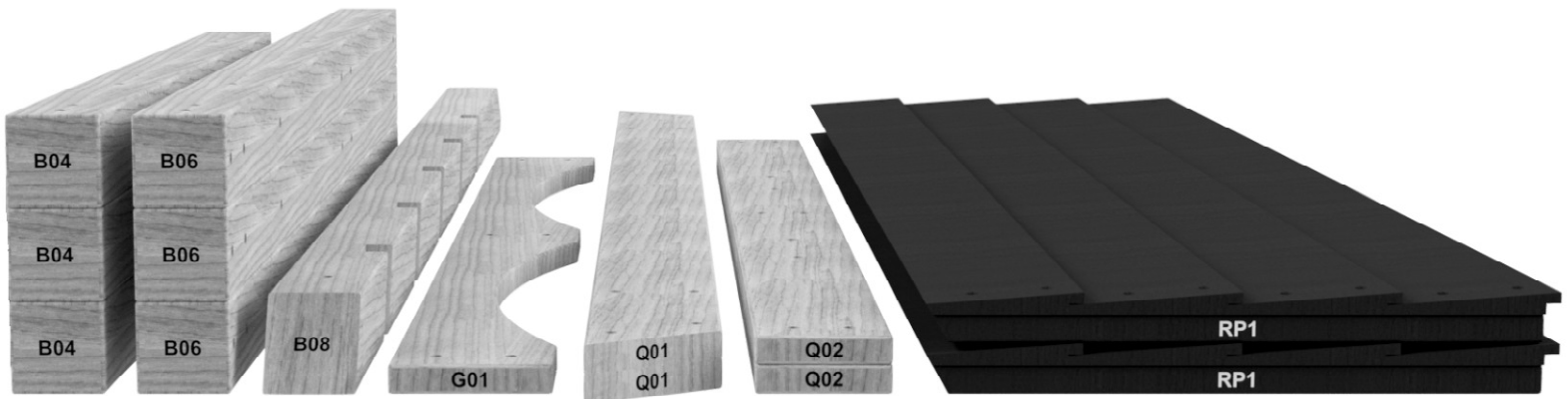
PRE-ASSEMBLY STEP 1 - SORTING PARTS

It is critical for ease of assembly that you take the time to sort and organize the wood and hardware.

WOOD PARTS:

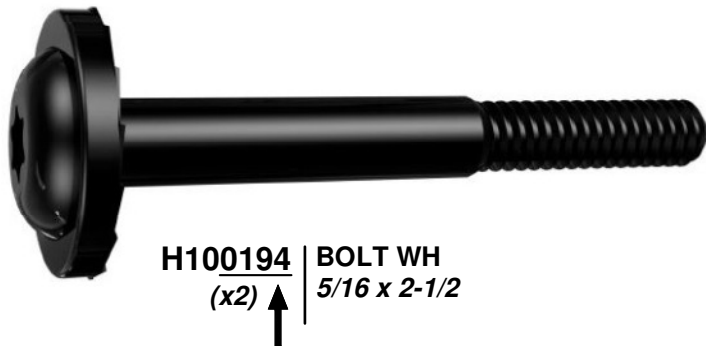
- Organize wood parts by the three-digit, alpha-numeric number stamped on each board (ex. P01).
- If there are multiple boards with the same stamped number, stack those pieces together.
- Stamps can be found on the flat surface of the boards or on the end of the boards.
- Allow yourself plenty of room - the wood pieces can take up a significant amount of space.

NOTE: CARTONS ARE NOT ORGANIZED BY BOARD NUMBER.



HARDWARE PARTS:

- We recommend that you have a separate table to organize the hardware.
- Hardware bags are printed with a seven-digit, alpha-numeric part number.
- You can organize your hardware by part number or group by hardware type (i.e. bolts, nuts, etc.).
- During assembly you only need to reference the last four digits of the number.



PRE-ASSEMBLY STEP 2 - TOOLS REQUIRED



**Cordless Drill or
Electric Drill**



**Drill Attachments:
Phillips Head**



**1/8", 3/16", 3/8" & 7/16"
Drill Bits**



Phillips Screw Driver



Open End Wrenches 1/2" & 9/16"



**3/8" Drive Ratchet, 1/2" &
9/16" STD Sockets 1/2" & 9/16" Deep
Sockets**



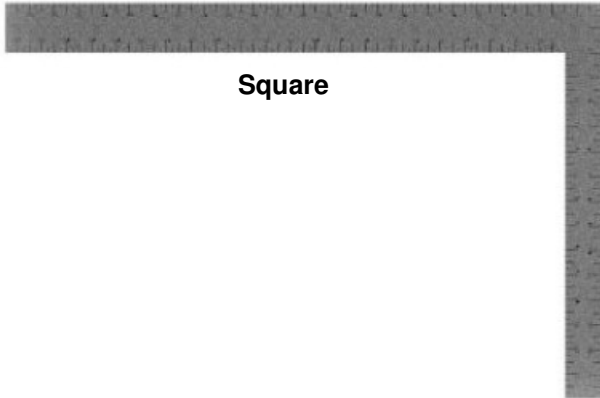
Claw Hammer



Rubber Mallet - Optional



Tape Measure



Square

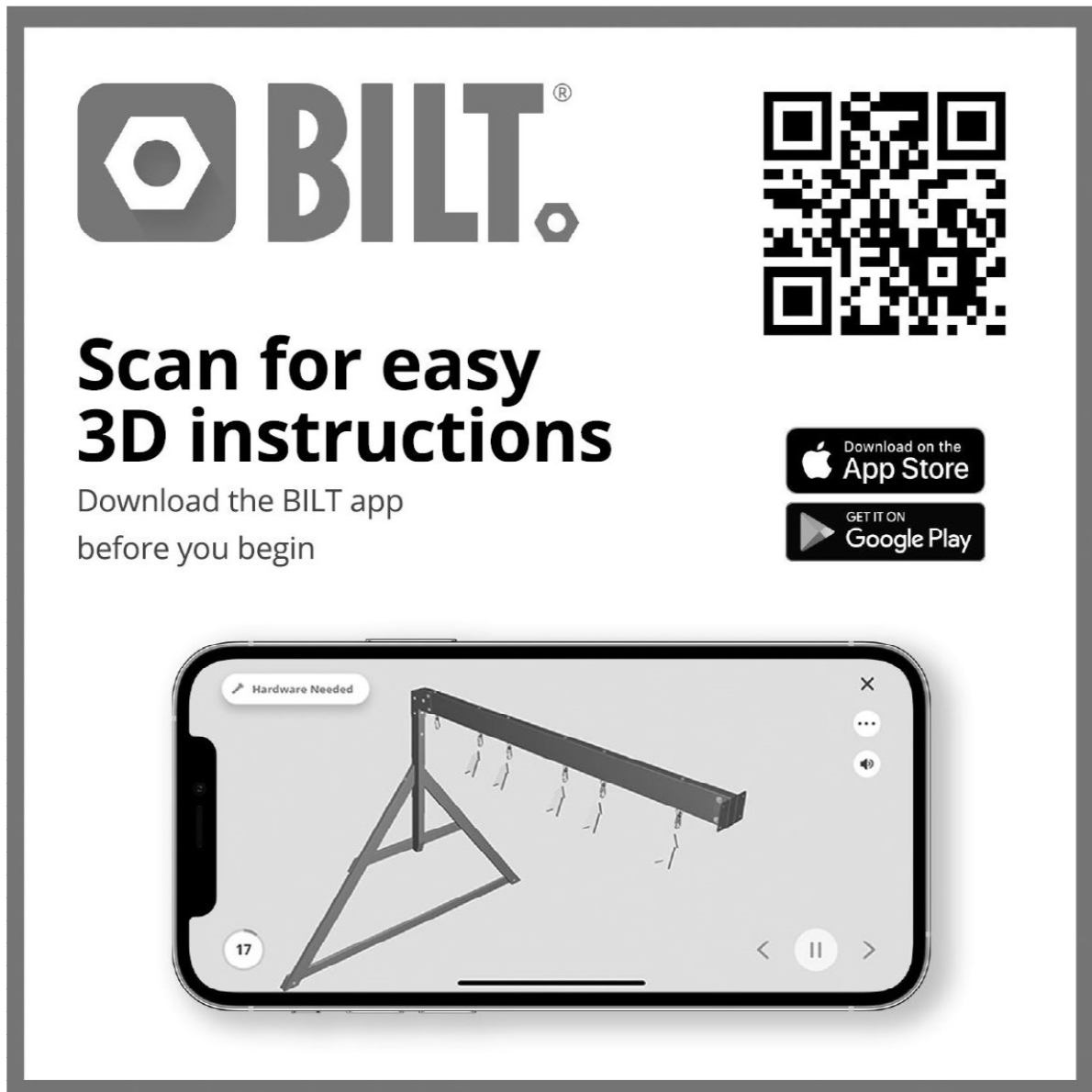


Level 24"

PRE-ASSEMBLY STEP 3 - CHOOSE YOUR ASSEMBLY METHOD


There are several types of assembly instructions available to you.

1. Printed Assembly Manual included with your set
2. BILT APP - 3D interactive instructions
3. Combination of the Printed Manual and BILT APP (Note: Step numbers can differ between the two methods)



The advertisement features the BILT logo on the left, a QR code on the right, and a central text area. Below the text are two app store download buttons and a smartphone mockup showing the app's interface.

BILT.®

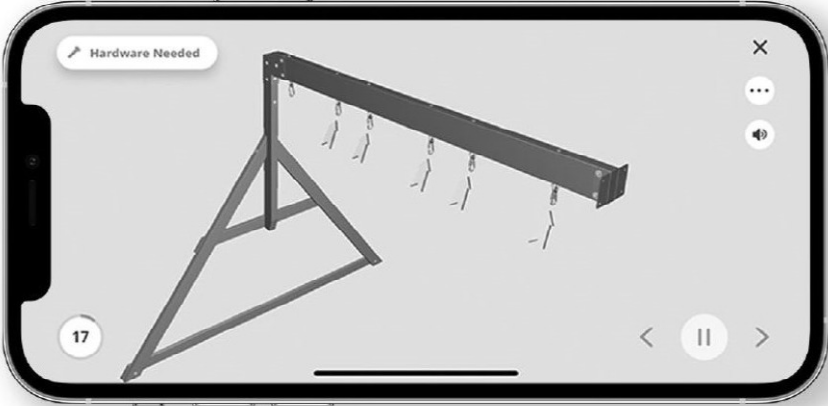


Scan for easy 3D instructions

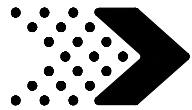
Download the BILT app before you begin

Download on the App Store

GET IT ON Google Play



The smartphone mockup displays a 3D assembly step. At the top left, it says 'Hardware Needed'. The main view shows a 3D model of a metal frame with a horizontal beam and several hanging components. At the bottom left, the number '17' is visible. At the bottom right, there are navigation icons: a back arrow, a pause button, and a forward arrow.

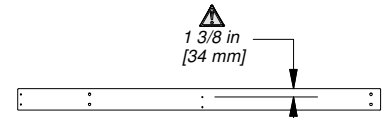


Phase 1

STEP 1

B6 | UPPER POST - W4L12428
(x1) | 3"x3"x21 1/4" (76x76x541)

B3 | POST - W4L12288
(x1) | 3"x3"x89 1/2" (76x76x2274)



B5 | UPPER POST - W4L12397
(x1) | 3"x3"x21 1/4" (76x76x541)

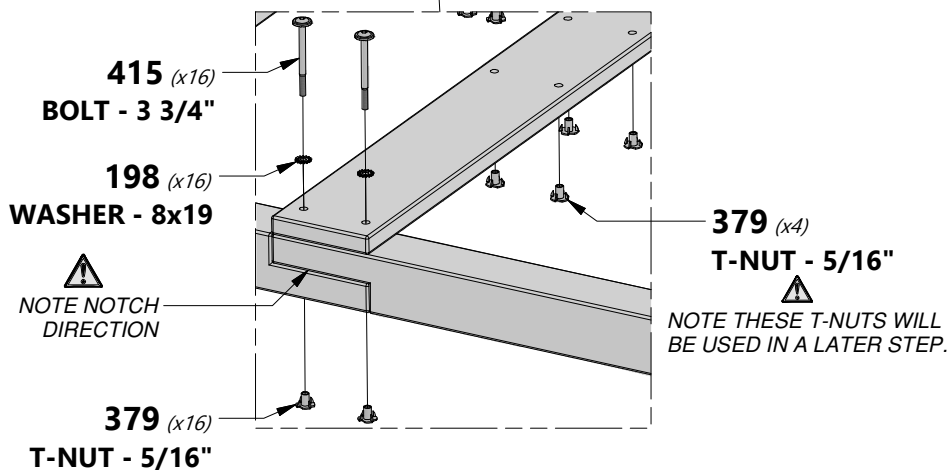
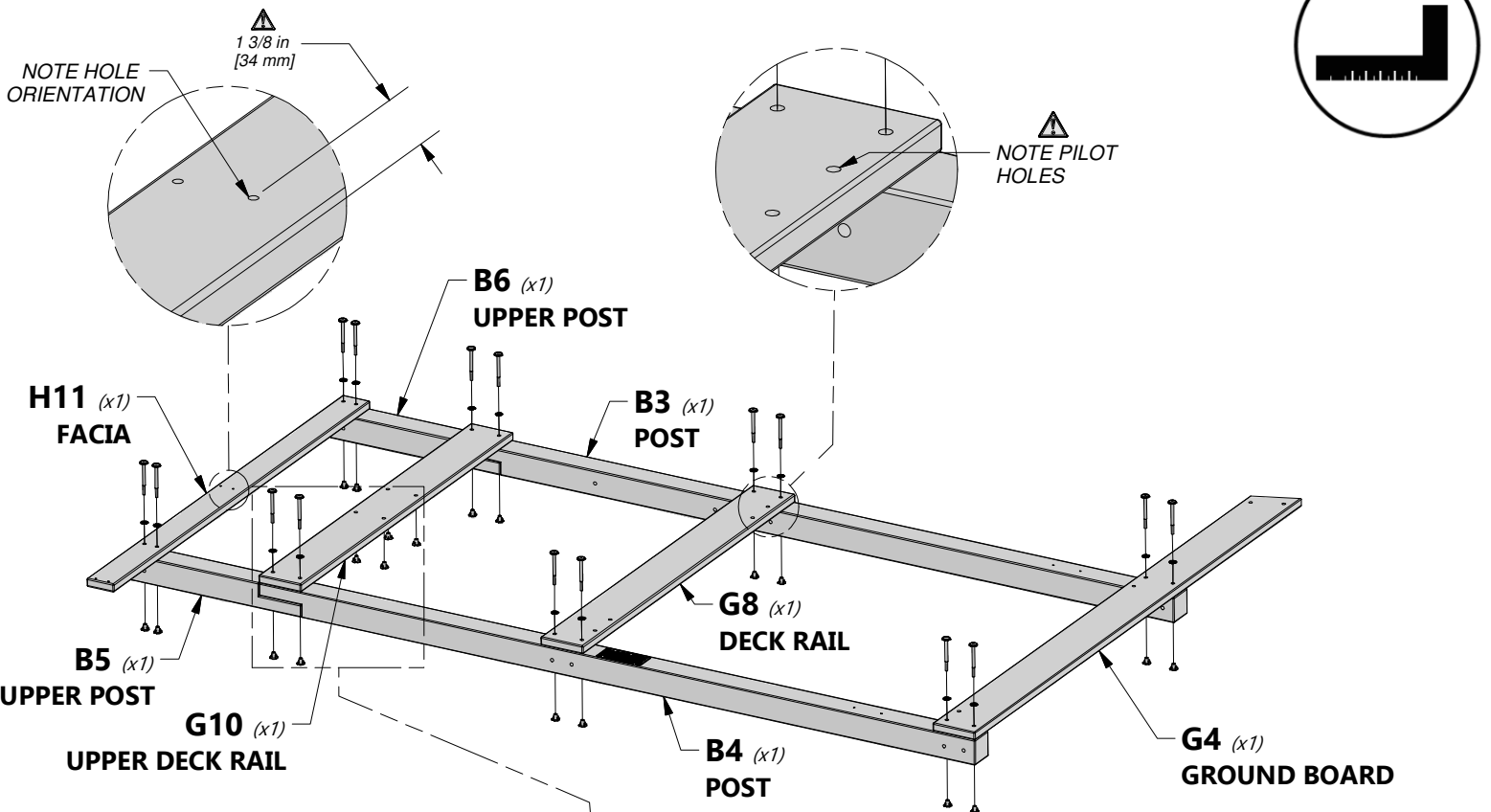
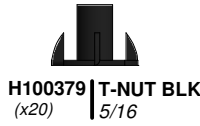
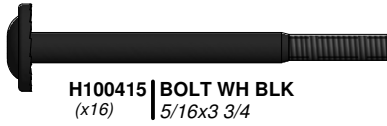
B4 | POST - W2A02758-1
(x1) | 3"x3"x89 1/2" (76x76x2274)

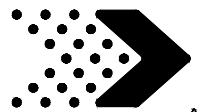
H11 | FACIA - W4L12401
(x1) | 1"x3 3/8"x56 3/4" (24x86x1440)

G8 | DECK RAIL - W4L12297
(x1) | 1"x5 1/4"x47" (24x134x1194)

G4 | GROUND BOARD - W4L12293
(x1) | 1"x5 1/4"x72 1/4" (24x134x1835)

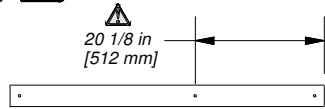
G10 | UPPER DECK RAIL - W4L12301
(x1) | 1"x5 1/4"x47" (24x134x1194)





Phase 1

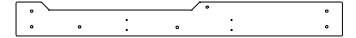
STEP 3



H9 | **FACIA - W4L12402**
(x1) | 1"x3 3/8"x49 1/8" (24x86x1248)



G1 | **GROUND BOARD - W4L12290**
(x1) | 1"x5 1/4"x70 3/4" (24x134x1798)



G5 | **DECK RAIL - W4L12294**
(x1) | 1"x5 1/4"x51" (24x134x1296)



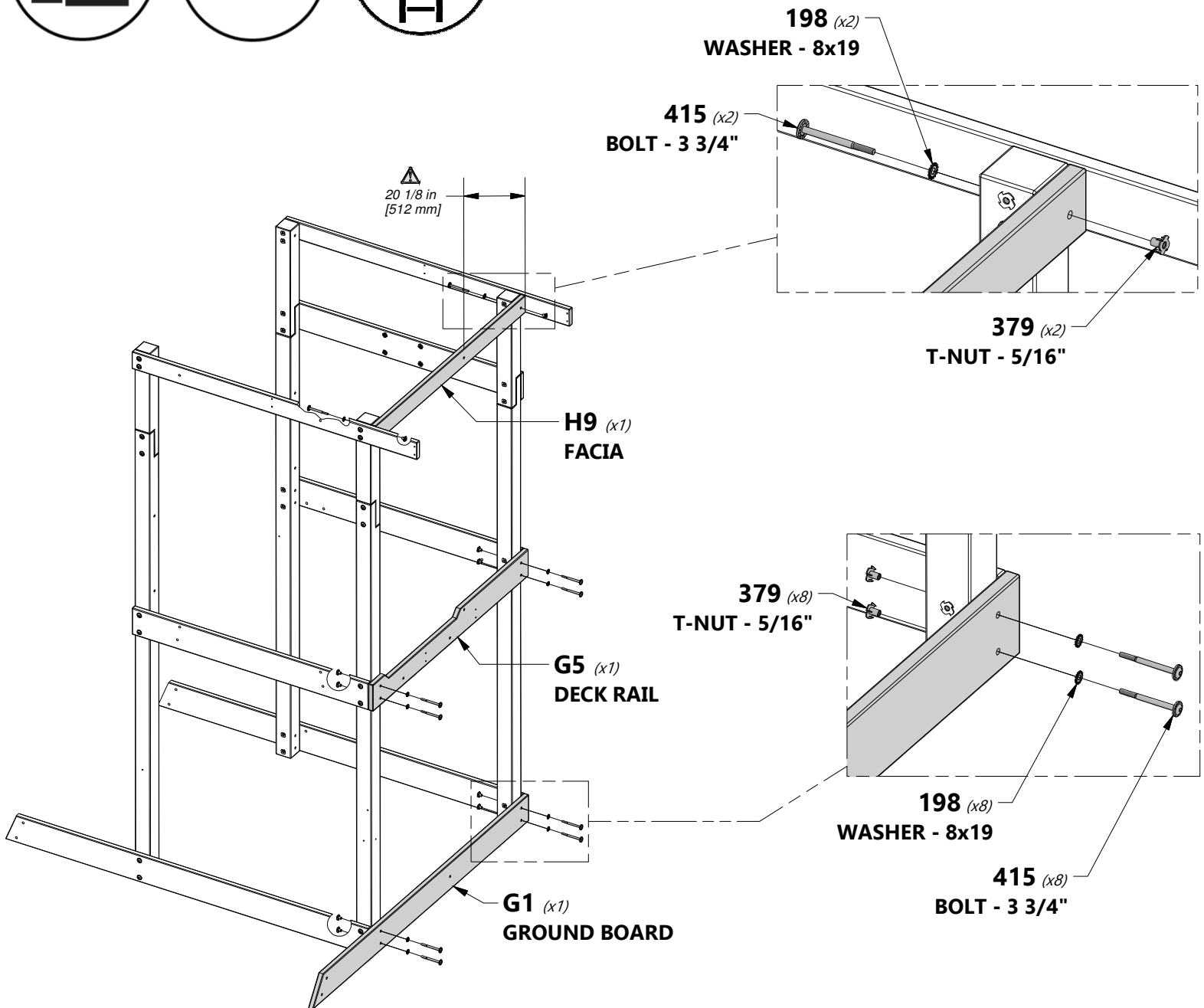
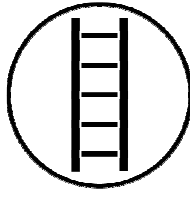
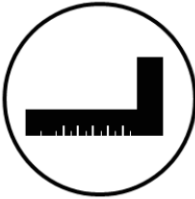
H100415 | **BOLT WH BLK**
(x10) | 5/16x3 3/4

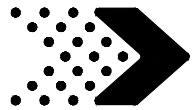


H100379 | **T-NUT BLK**
(x10) | 5/16



H100198 | **WASHER LOCK EXT BLK**
(x10) | 8x19





Phase 1

STEP 4

G9 | UPPER DECK RAIL - W4L12299
 (x1) | 1"x5 1/4"x50 1/8" (24x134x1272)

G7 | DECK RAIL - W4L12296
 (x1) | 1"x5 1/4"x51" (24x134x1296)

G3 | GROUND BOARD - W4L12292
 (x1) | 1"x5 1/4"x49 1/8" (24x134x1248)

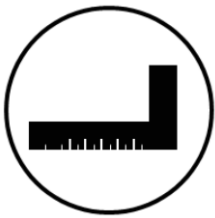
H100503 | BOLT WH BLK
 (x4) | 5/16x3-1/2

H100197 | LAG SCREW WH BLK
 (x4) | 5/16x2 1/2

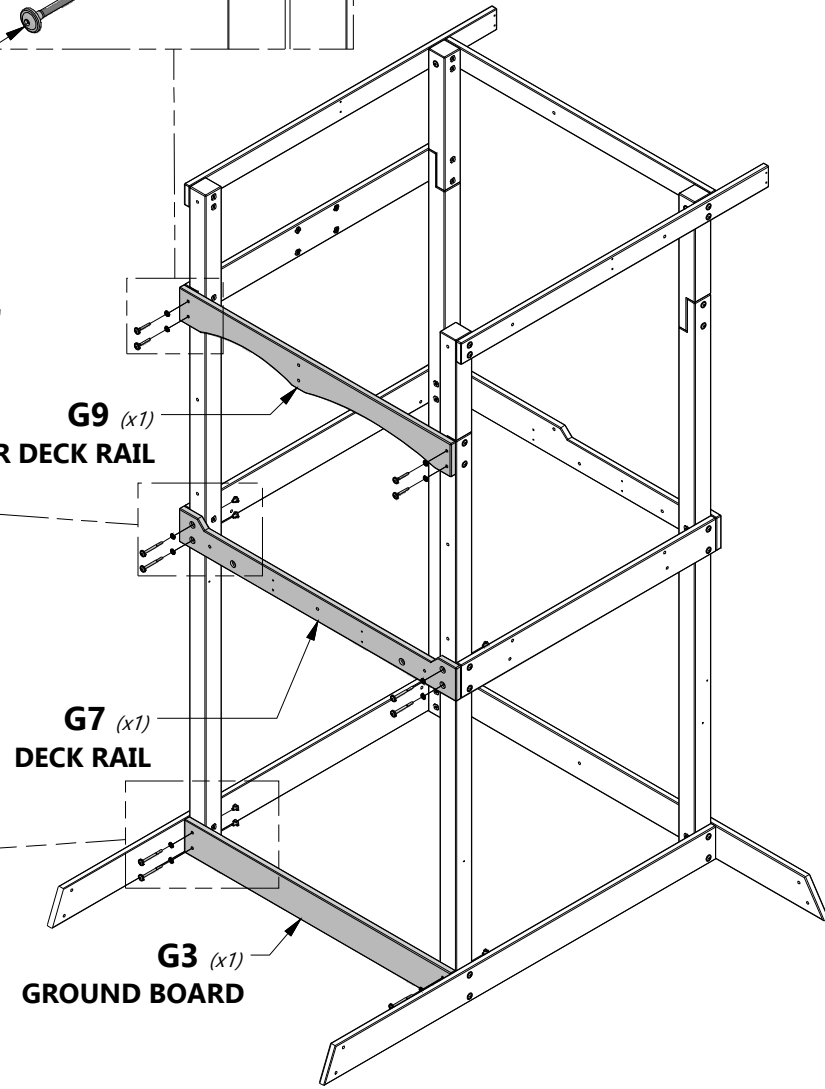
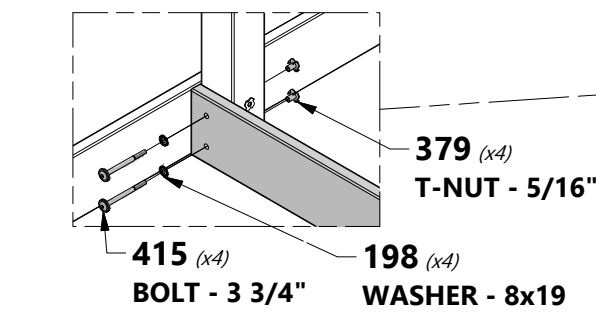
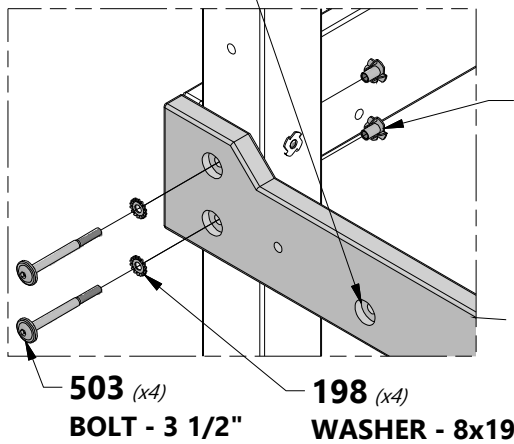
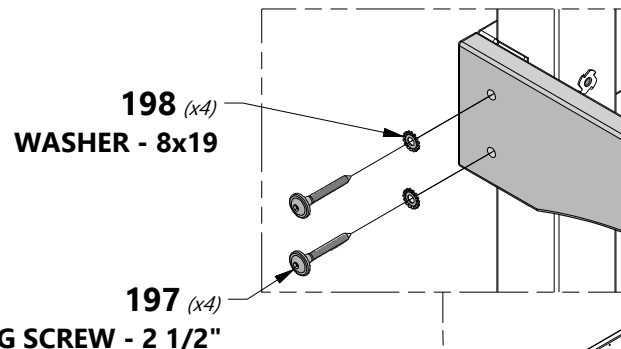
H100198 | WASHER LOCK EXT BLK
 (x12) | 8x19

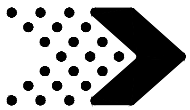
H100415 | BOLT WH BLK
 (x4) | 5/16x3 3/4

H100379 | T-NUT BLK
 (x8) | 5/16



NOTE: FACE COUNTER BORE OUTWARDS





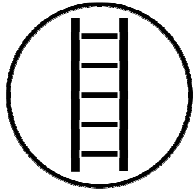
Phase 1

STEP 5

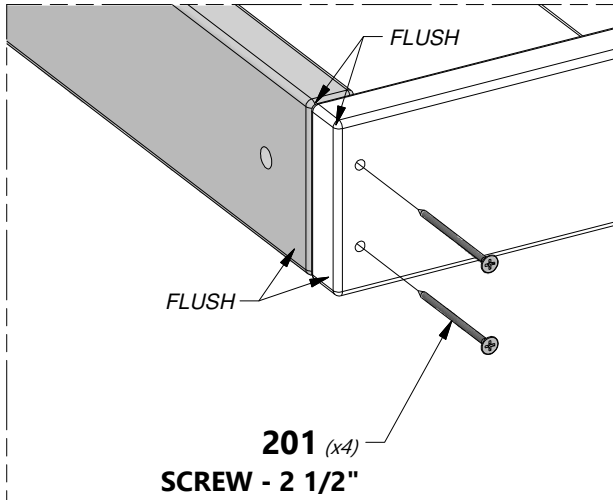
H13 | **FACIA - W4L12427**
 (x1) | 1"x3 3/8"x49 1/8" (24x86x1248)

H100201 | **SCREW PFH BLK**
 (x4) | 8x2-1/2"

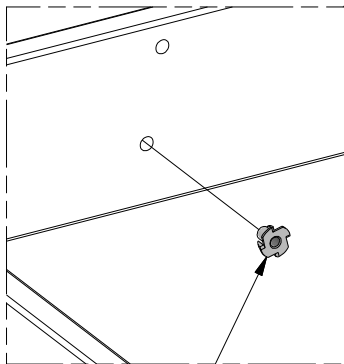
H100379 | **T-NUT BLK**
 (x2) | 5/16"



H13 (x1)
FACIA



201 (x4)
SCREW - 2 1/2"

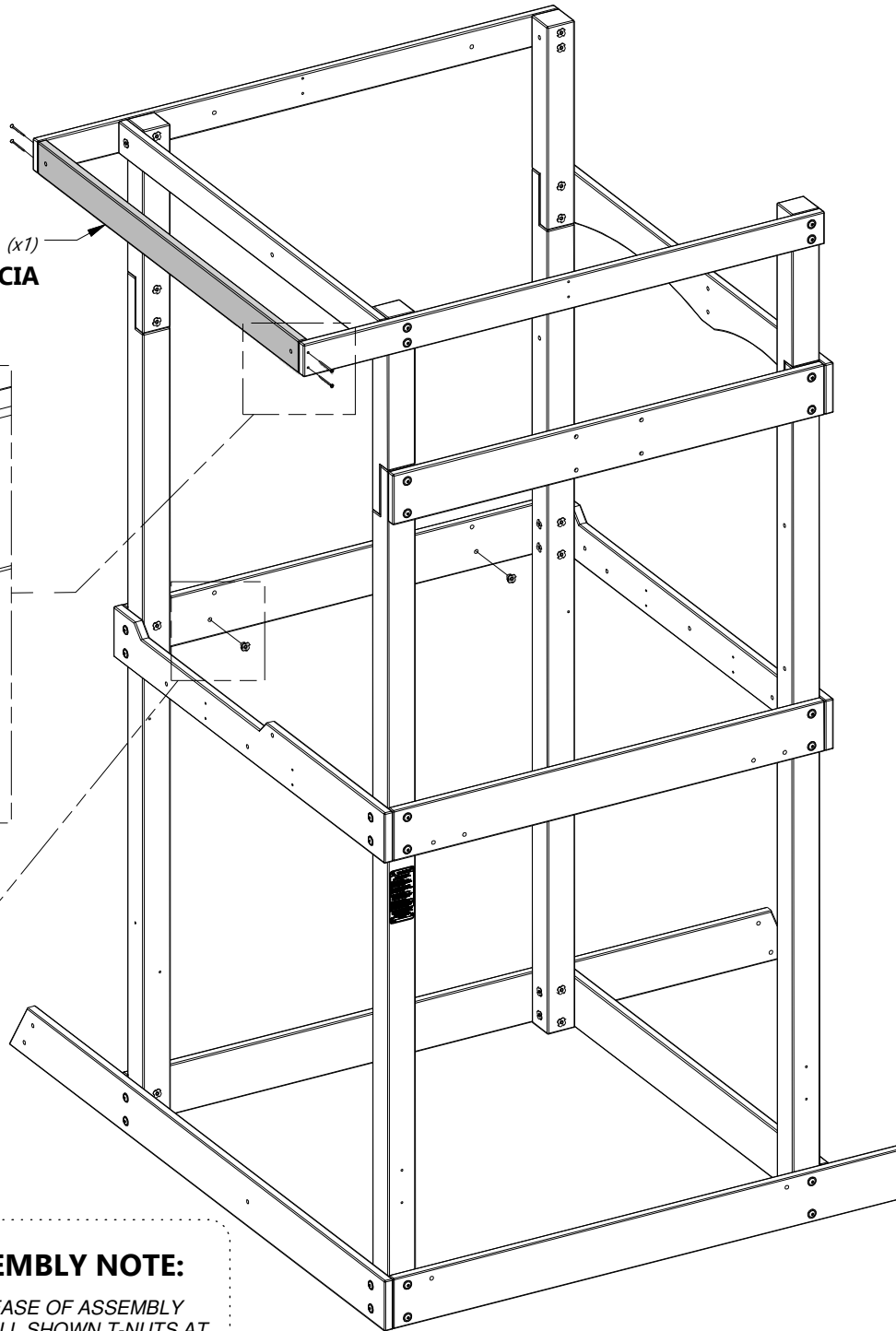


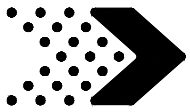
379 (x2)
T-NUT - 5/16"



ASSEMBLY NOTE:

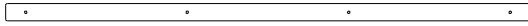
FOR EASE OF ASSEMBLY
 INSTALL SHOWN T-NUTS AT
 THIS TIME. NOTE THESE
 WILL BE USED IN A LATER
 STEP.





Phase 1

STEP 6



T1 | DECK SUPPORT - W4L12308
(x2) | 1"x1 3/8"x41" (24x34x1040)



T2 | DECK SUPPORT - W4L12311
(x4) | 1"x1 3/8"x3" (24x34x76)

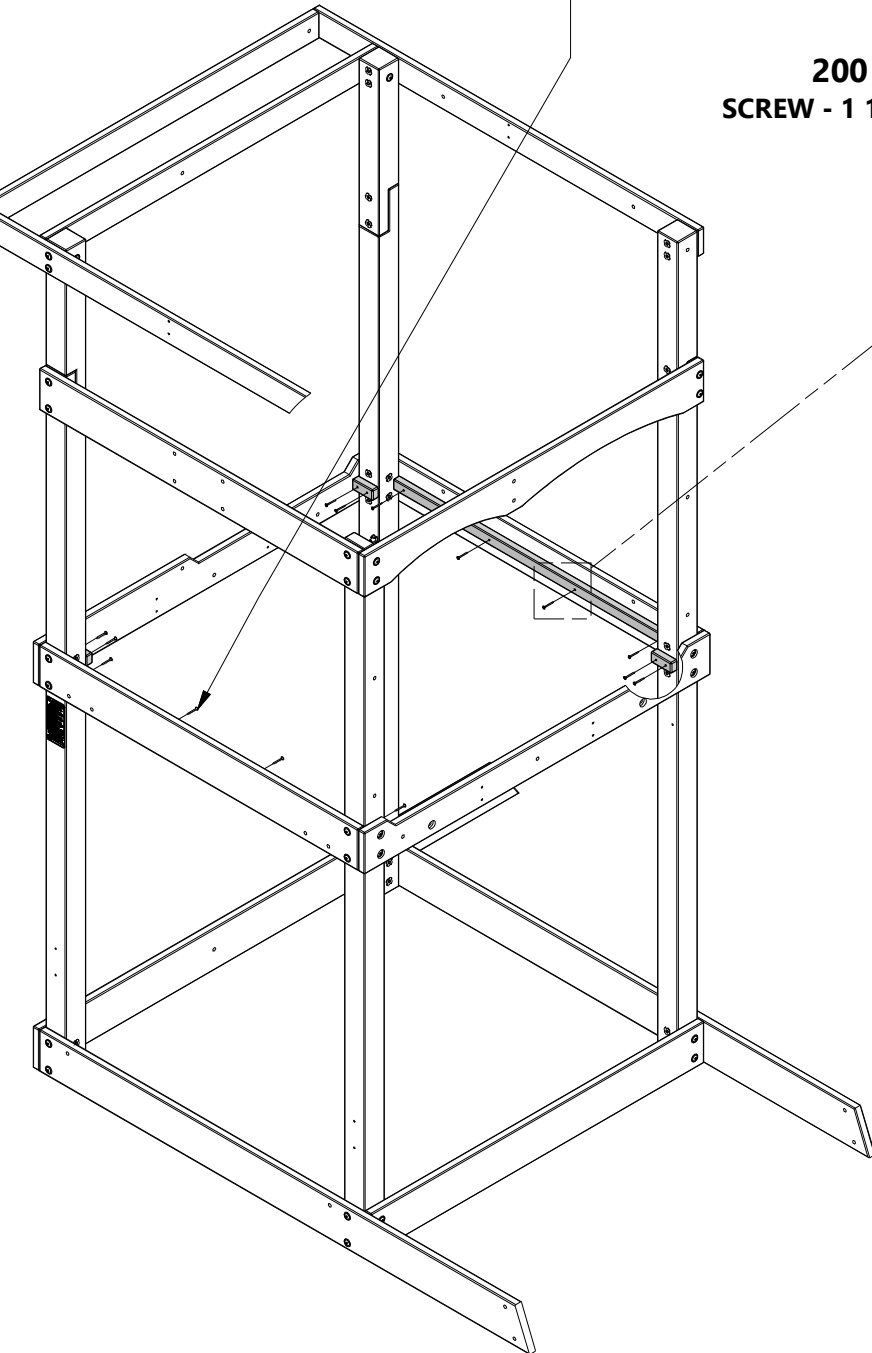


H100200 | SCREW PFH BLK
(x16) | 8x1 1/2

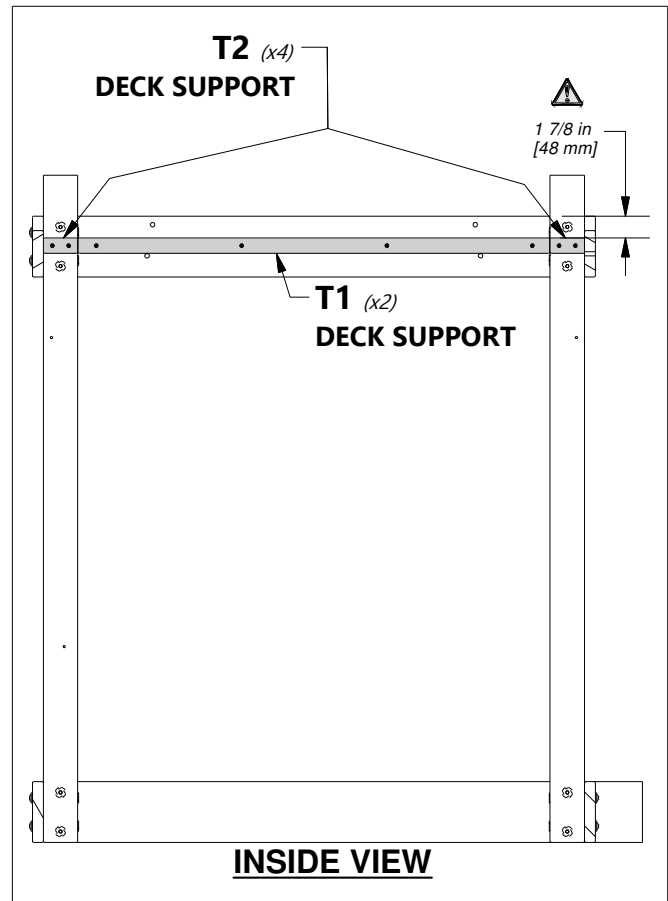
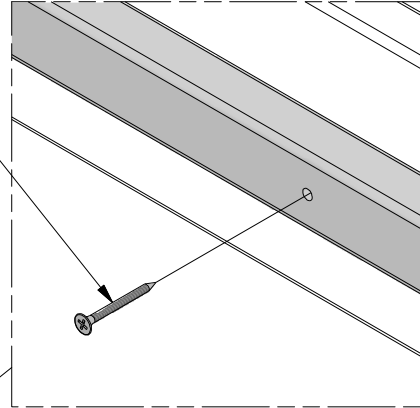


ASSEMBLY NOTE:

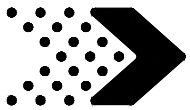
REPEAT THIS ON
BOTH SIDES AS
SHOWN



200 (x16)
SCREW - 1 1/2"



INSIDE VIEW



Phase 1

STEP 7



E1 | **BRACE - W4L12312**
(x3) | 1 3/8"x3 3/8"x13 5/8" (36x86x347)

H100197 | **LAG SCREW WH BLK**
(x3) | 5/16x2 1/2

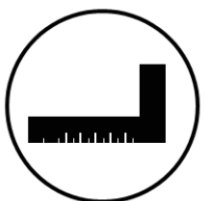
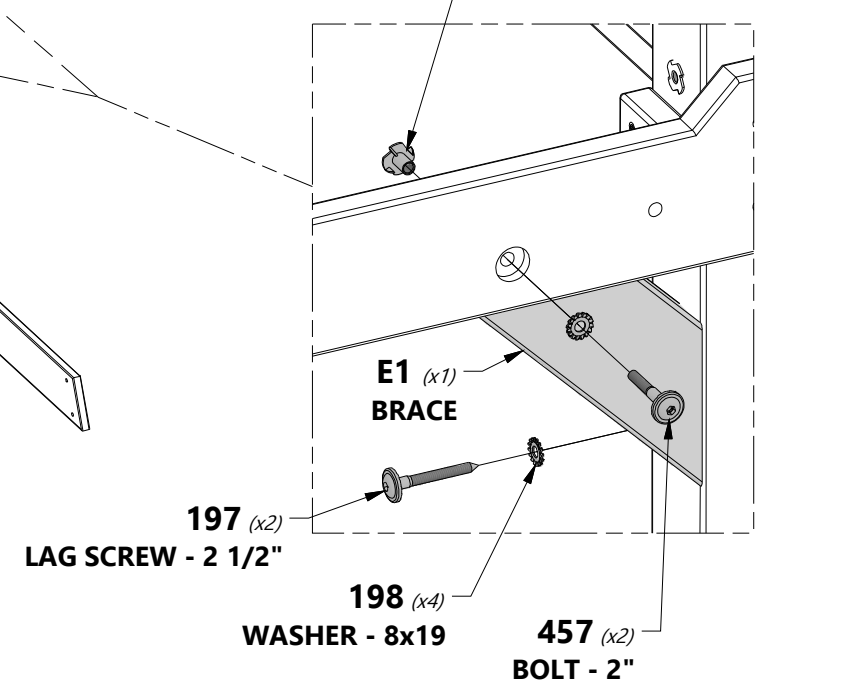
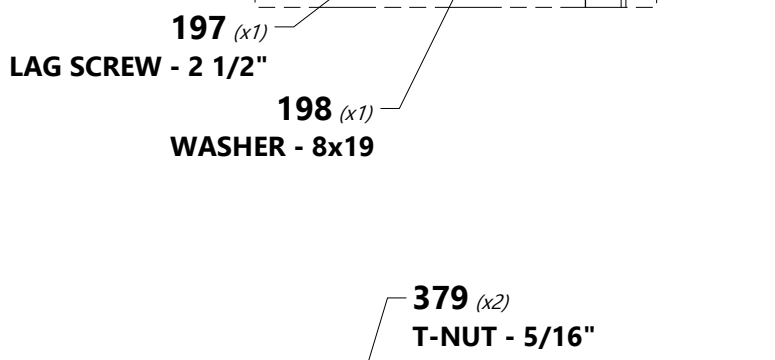
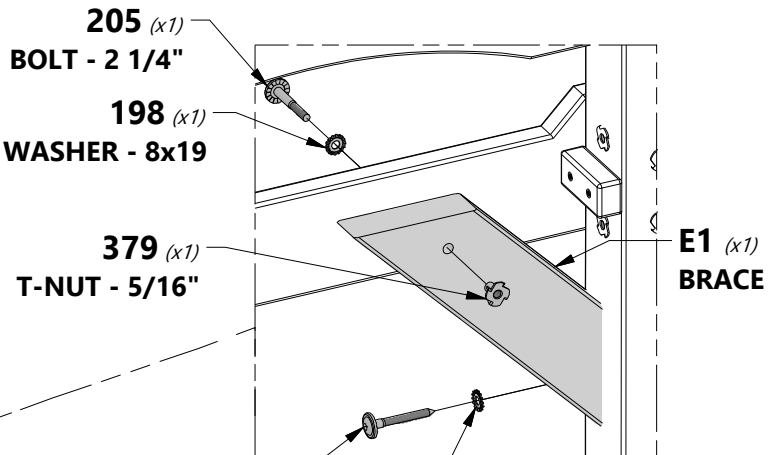
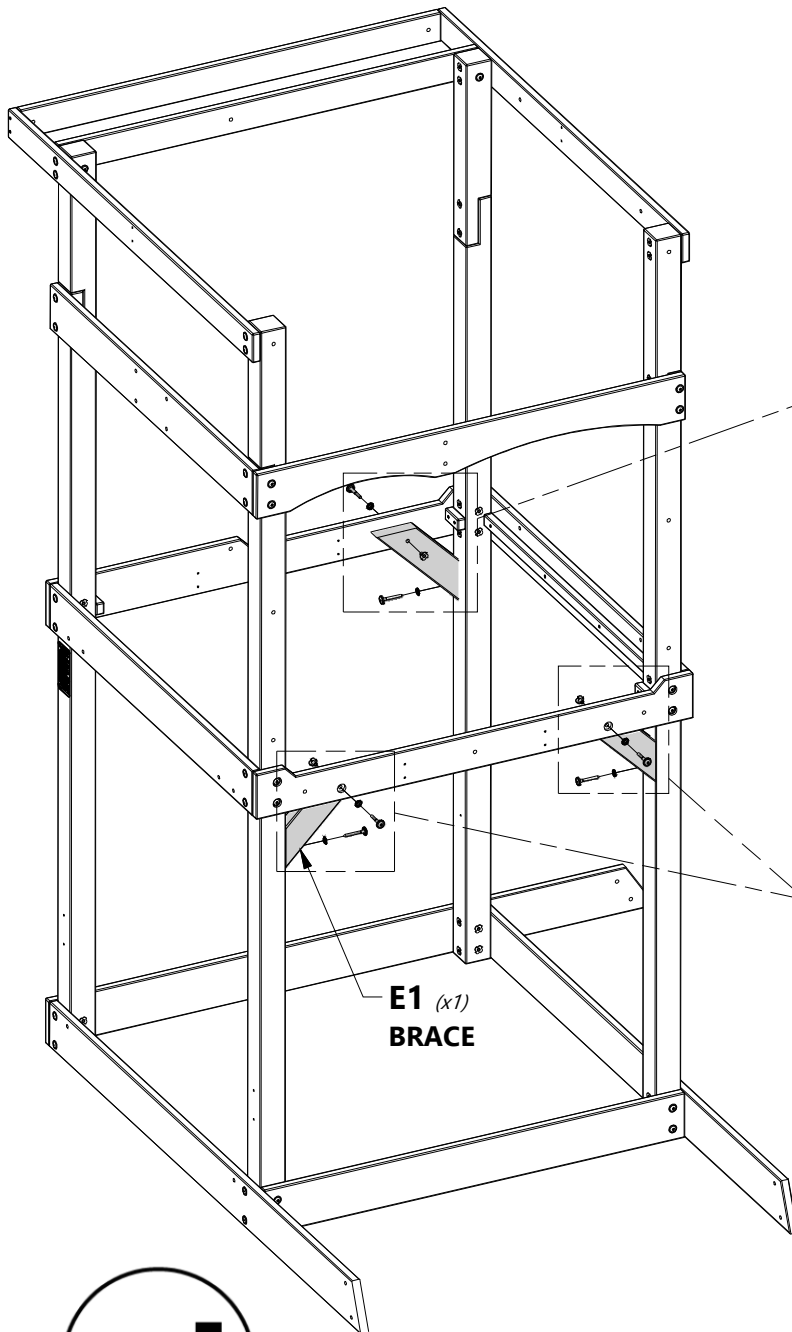
H100457 | **BOLT WH BLK**
(x2) | 5/16x2

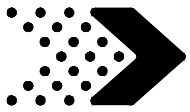


H100198 | **WASHER LOCK EXT BLK**
(x6) | 8x19

H100205 | **BOLT WH BLK**
(x1) | 5/16x2-1/4

H100379 | **T-NUT BLK**
(x3) | 5/16





Phase 1

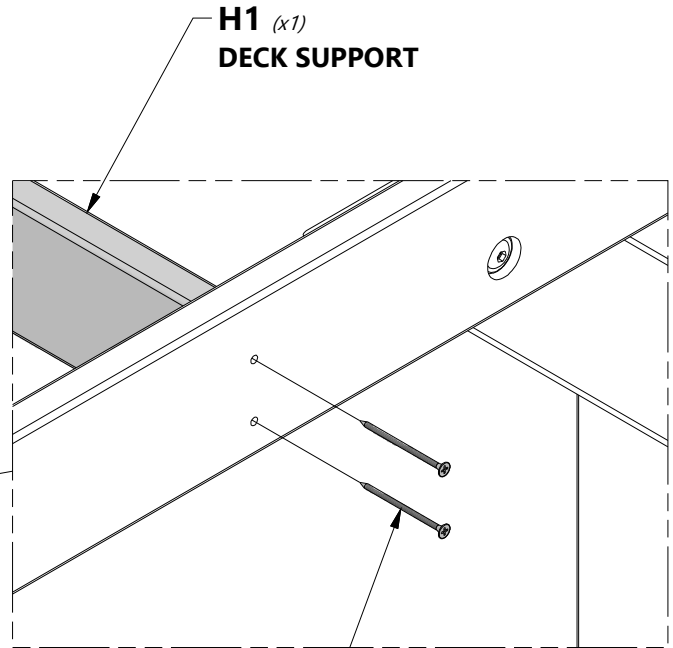
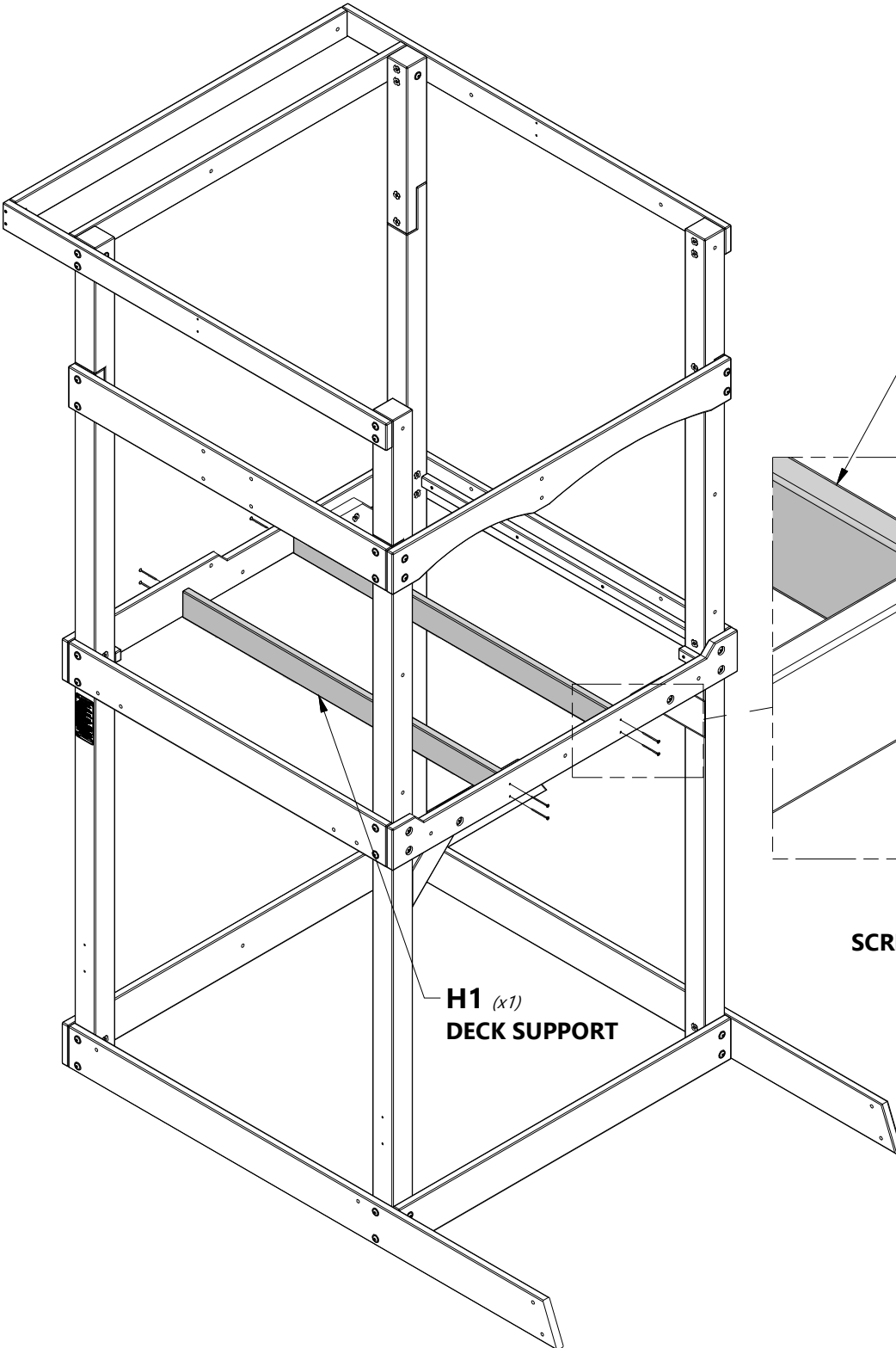
STEP 8

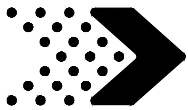


H1 | **DECK SUPPORT - W4L12306**
(x2) | 1"x3 3/8"x47" (24x86x1194)



H100201 | **SCREW PFH BLK**
(x8) | 8x2-1/2





Phase 1

STEP 9

G12 | CROSS SUPPORT - W4L12315
(x1) | 1"x5 1/4"x65 1/4" (24x134x1658)

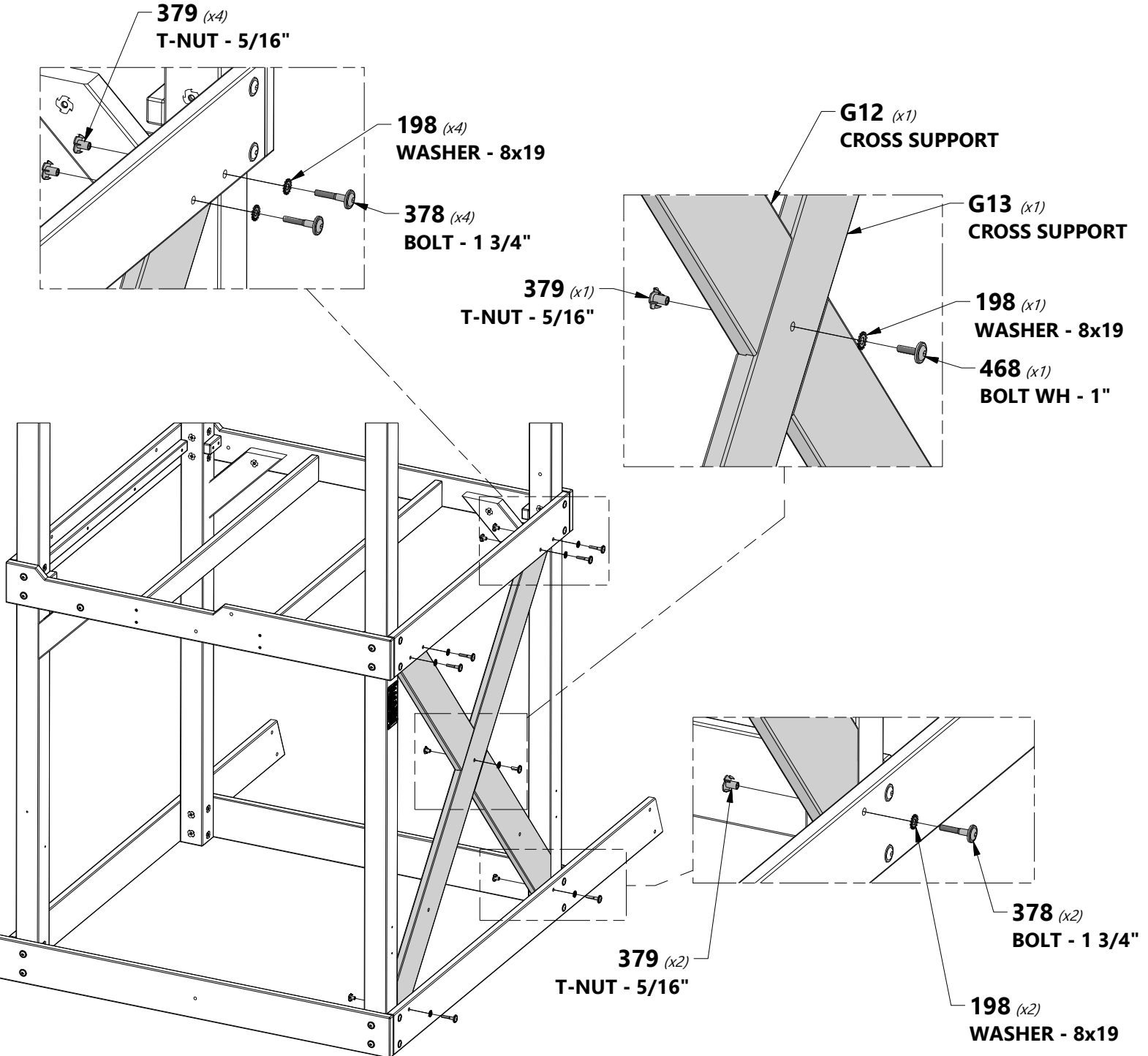
G13 | CROSS SUPPORT - W4L12314
(x1) | 1"x5 1/4"x65 1/4" (24x134x1658)

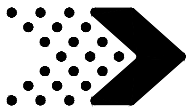
H100378 | BOLT WH BLK
(x6) | 5/16x1 3/4

H100468 | BOLT WH BLK
(x1) | 5/16x1

H100379 | T-NUT BLK
(x7) | 5/16

H100198 | WASHER LOCK EXT BLK
(x7) | 8x19





Phase 1

STEP 10



G17 | **CROSS BRACE - W4L12966**
(x2) | 1"x5 1/4"x17" (24x134x430)



H100197 | **LAG SCREW WH BLK**
(x4) | 5/16x2 1/2



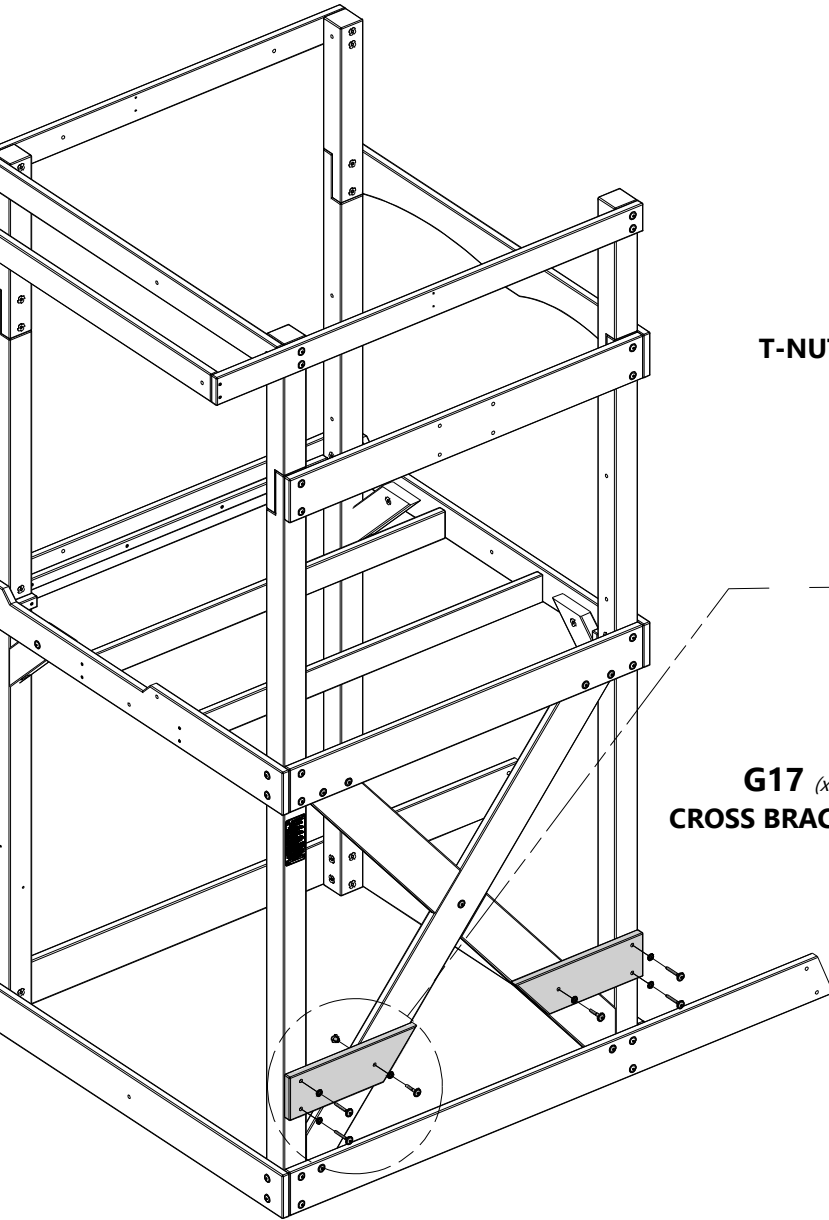
H100378 | **BOLT WH BLK**
(x2) | 5/16x1 3/4



H100379 | **T-NUT BLK**
(x2) | 5/16



H100198 | **WASHER LOCK EXT BLK**
(x6) | 8x19



379 (x2)
T-NUT - 5/16"

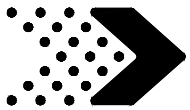
198 (x2)
WASHER - 8x19

378 (x2)
BOLT - 1 3/4"

G17 (x2)
CROSS BRACE

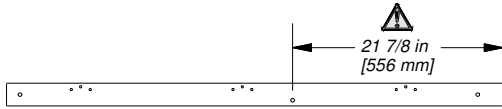
197 (x4)
LAG SCREW - 2 1/2"

198 (x4)
WASHER - 8x19



Phase 1

STEP 11



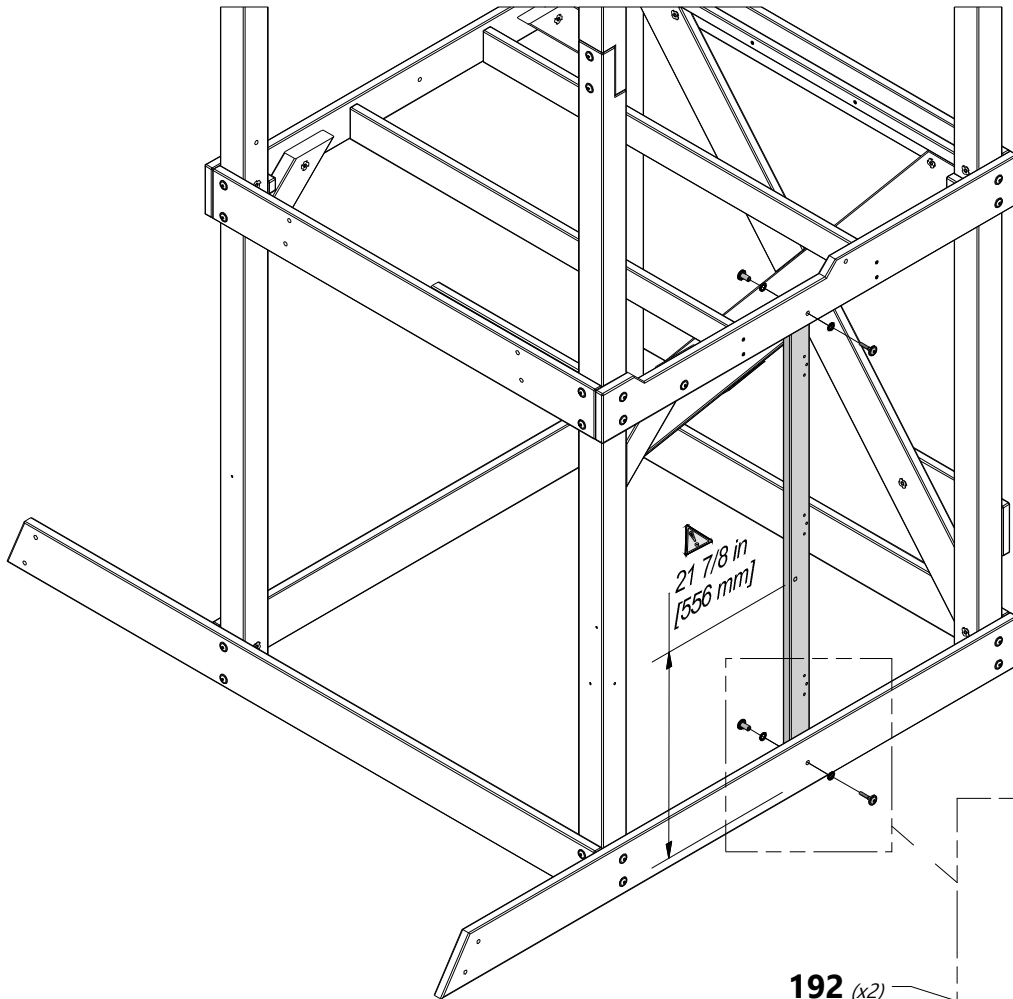
J1 | WALL UPRIGHT - W4L12303
(x1) | 1"x2 3/8"x51 3/4" (24x60x1314)


H100407 | BOLT WH BLK
(x2) | 5/16x1 1/2

H100192 | NUT BARREL WH BLK
(x2) | 5/16x7/8

H100199 | WASHER LOCK EXT BLK
(x2) | 12x19

H100198 | WASHER LOCK EXT BLK
(x2) | 8x19



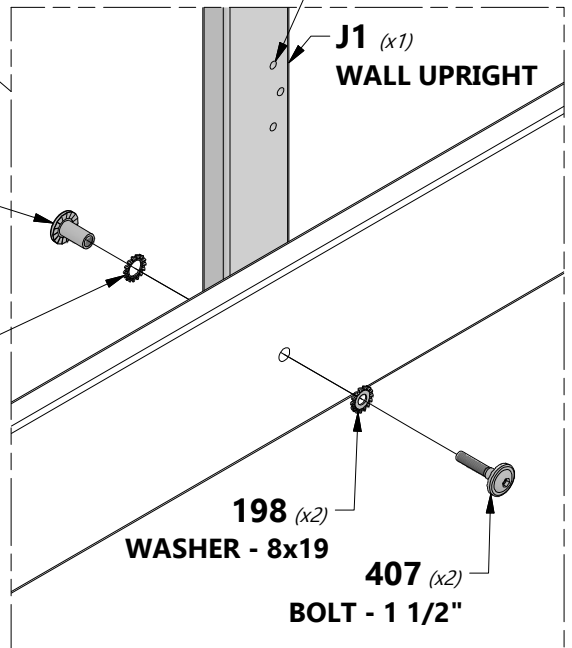
 **ASSEMBLY NOTE:**
INSTALL J1 BOARD WITH
HINGE HOLES FACING
RIGHT AS SHOWN.

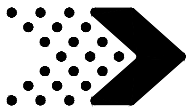
192 (x2)
NUT BARREL - 7/8"

199 (x2)
WASHER - 12x19

198 (x2)
WASHER - 8x19

407 (x2)
BOLT - 1 1/2"





Phase 1

STEP 12



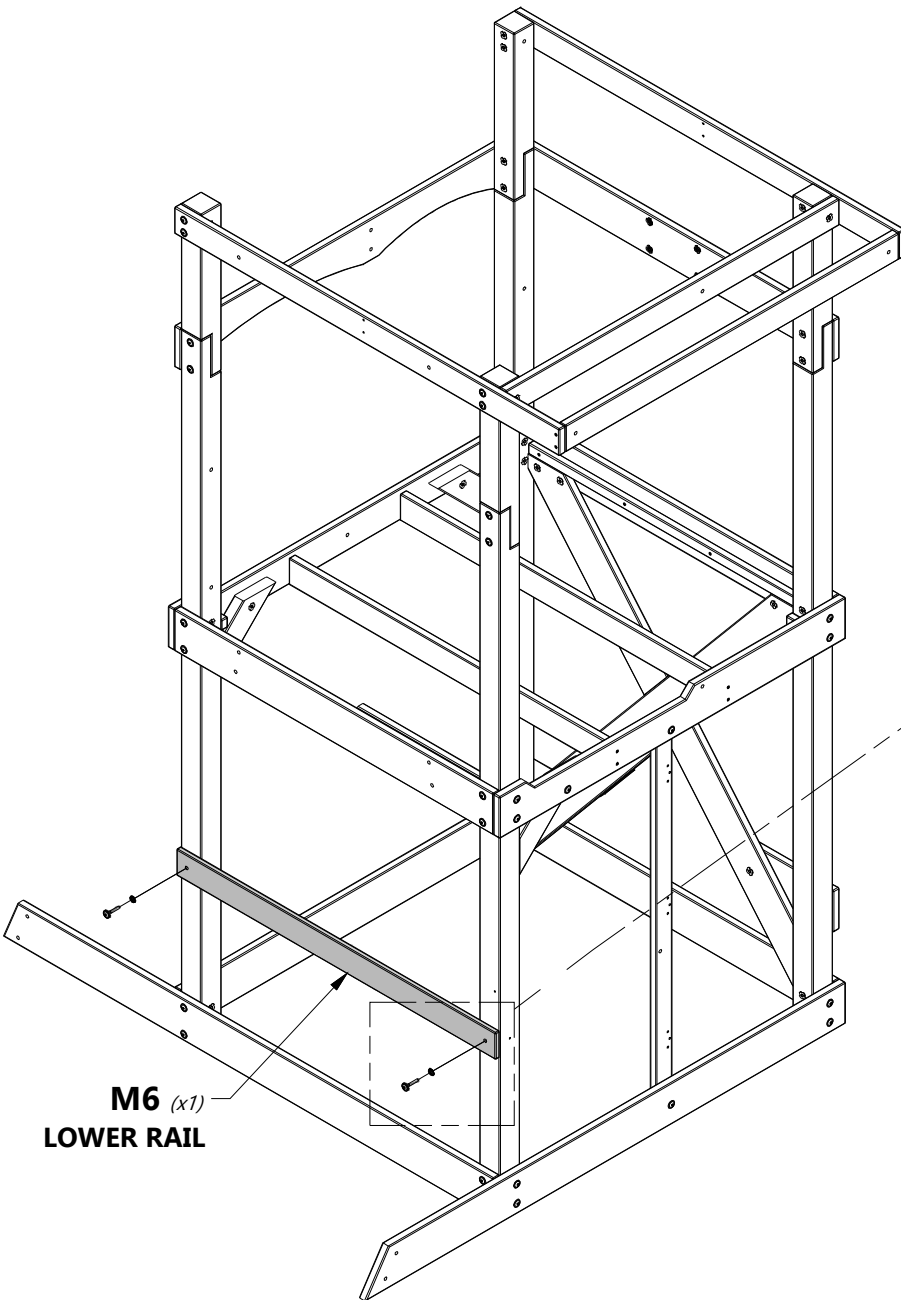
M6 | LOWER RAIL - W4L12304
(x1) | 5/8"x3 3/8"x47" (16x86x1194)



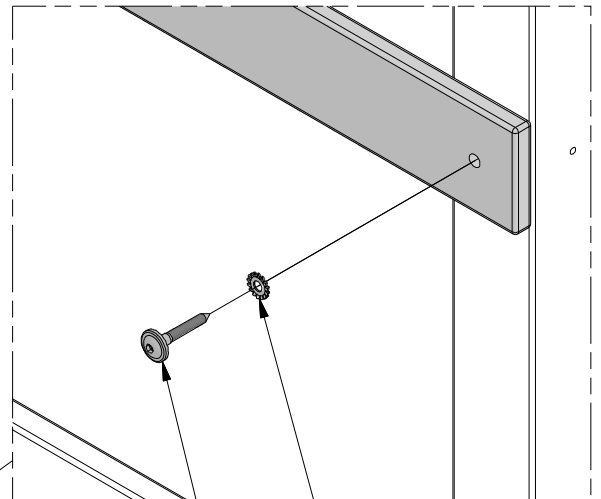
H100458 | LAG SCREW WH BLK
(x2) | 5/16x2



H100198 | WASHER LOCK EXT BLK
(x2) | 8x19

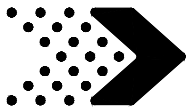


M6 (x1)
LOWER RAIL



198 (x2)
WASHER - 8x19

458 (x2)
LAG SCREW - 2"



Phase 1

STEP 13



E3 | **BRACE - W4L12500**
(x1) | 1 3/8"x3 3/8"x37 3/4" (36x86x959)



H100197 | **LAG SCREW WH BLK**
(x1) | 5/16x2 1/2



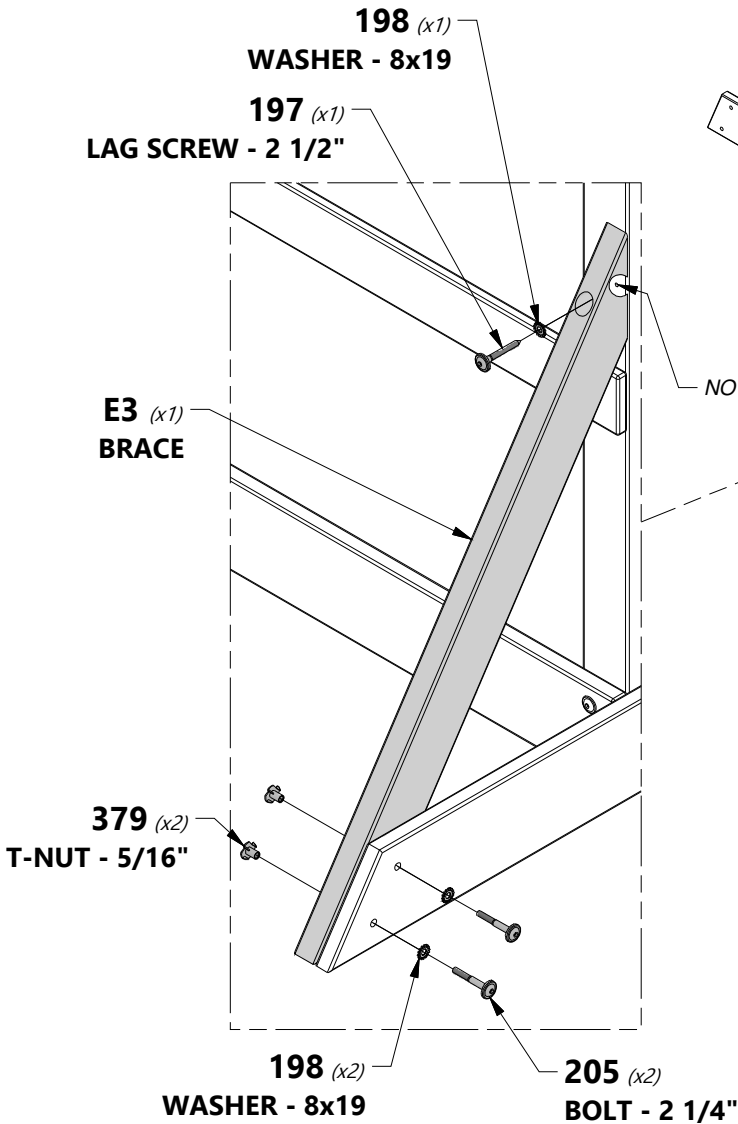
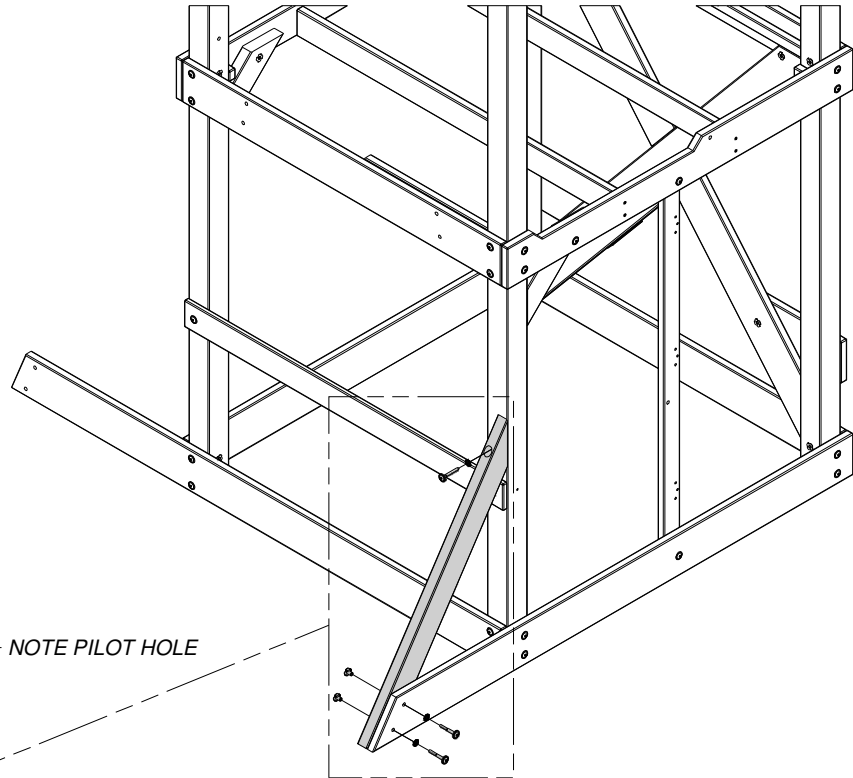
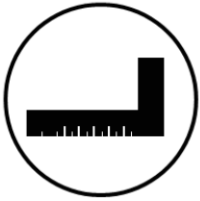
H100198 | **WASHER LOCK EXT BLK**
(x3) | 8x19

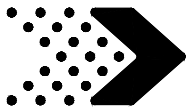


H100205 | **BOLT WH BLK**
(x2) | 5/16x2-1/4



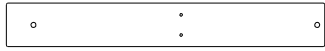
H100379 | **T-NUT BLK**
(x2) | 5/16





Phase 1

STEP 14



M5 (x1) | **LOWER RAIL - W4L12305**
5/8"x3 3/8"x24 7/8" (16x86x632)



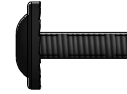
H15 (x1) | **COUNTER SUPPORT - W4L12424**
1"x3 3/8"x3 3/4" (24x86x94)



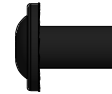
H100200 | **SCREW PFH BLK**
(x2) | 8x1 1/2



H100458 | **LAG SCREW WH BLK**
(x1) | 5/16x2



H100468 | **BOLT WH BLK**
(x1) | 5/16x1



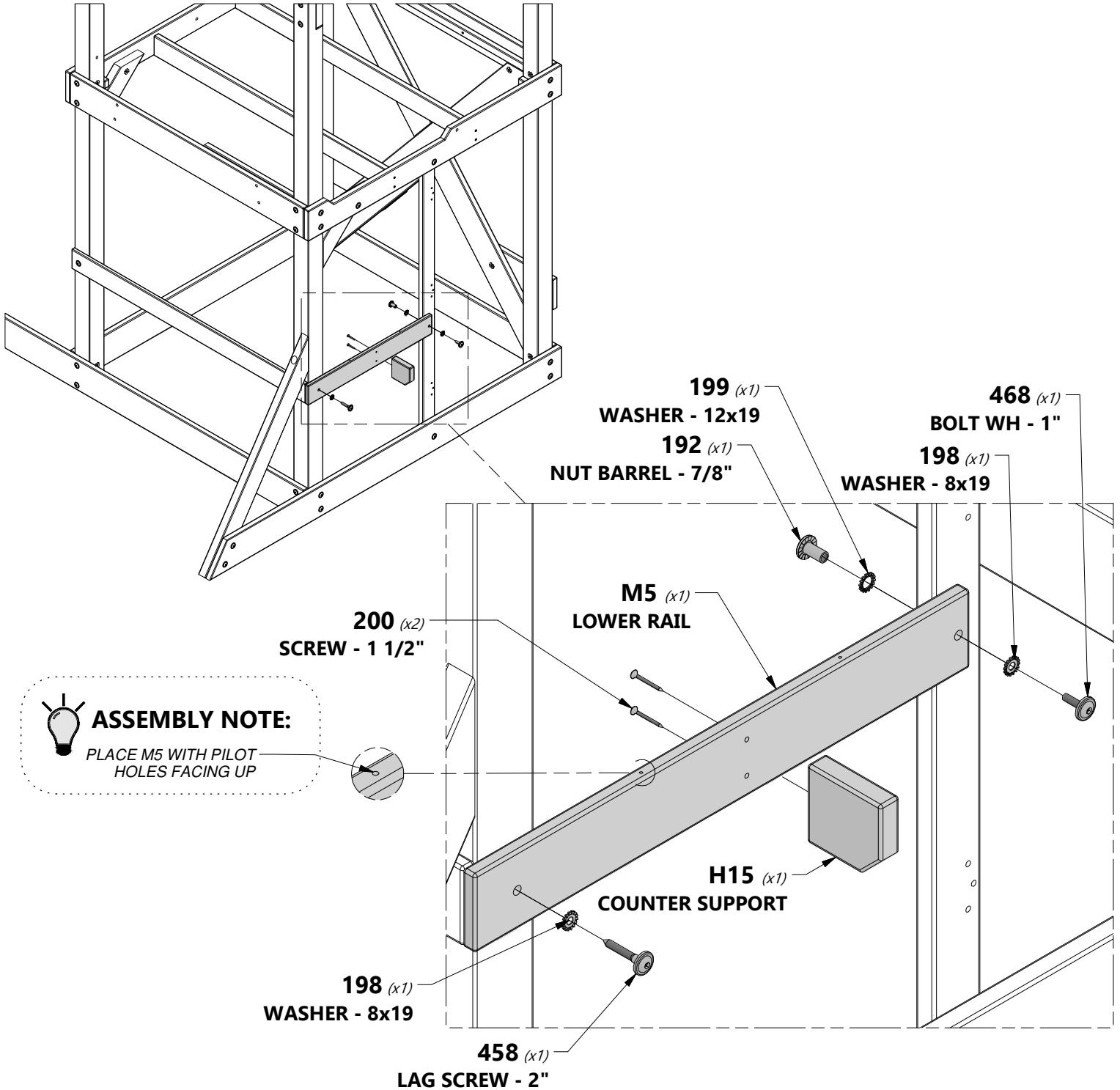
H100192 | **NUT BARREL WH BLK**
(x1) | 5/16x7/8



H100198 | **WASHER LOCK EXT BLK**
(x2) | 8x19

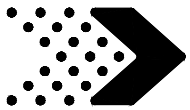


H100199 | **WASHER LOCK EXT BLK**
(x1) | 12x19



ASSEMBLY NOTE:

PLACE M5 WITH PILOT HOLES FACING UP



Phase 1

STEP 15



M7 | PICKET - W4L12316
(x3) | 5/8"x3 3/8"x21" (16x86x533)



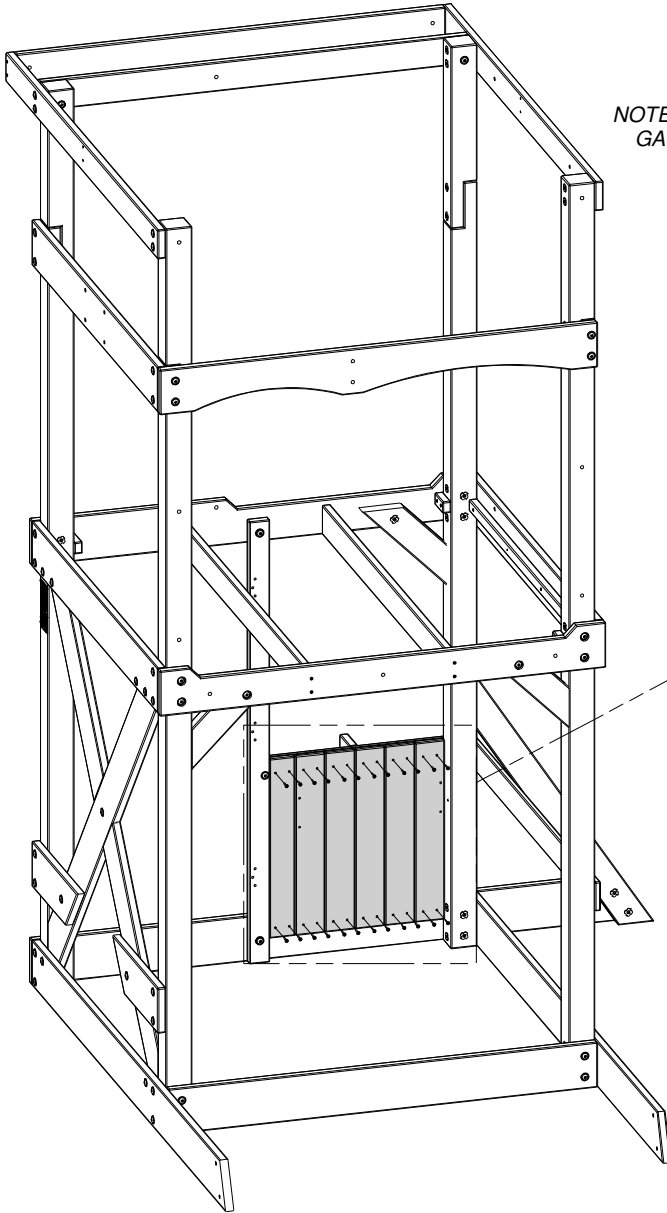
M9 | PICKET - W4L12317
(x1) | 5/8"x2 7/8"x21" (16x74x533)



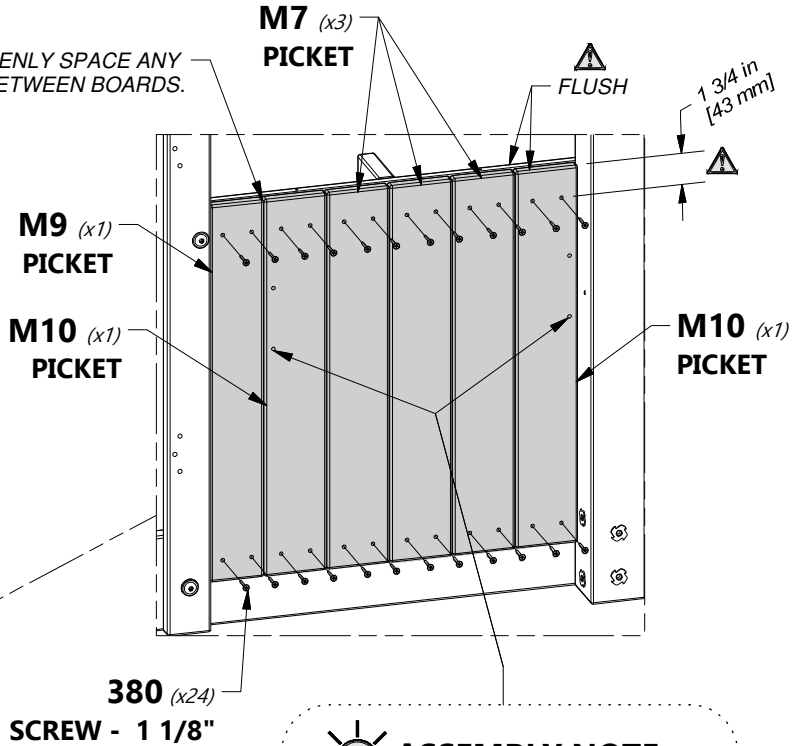
M10 | PICKET - W4L12323
(x2) | 5/8"x3 3/8"x21" (16x86x533)



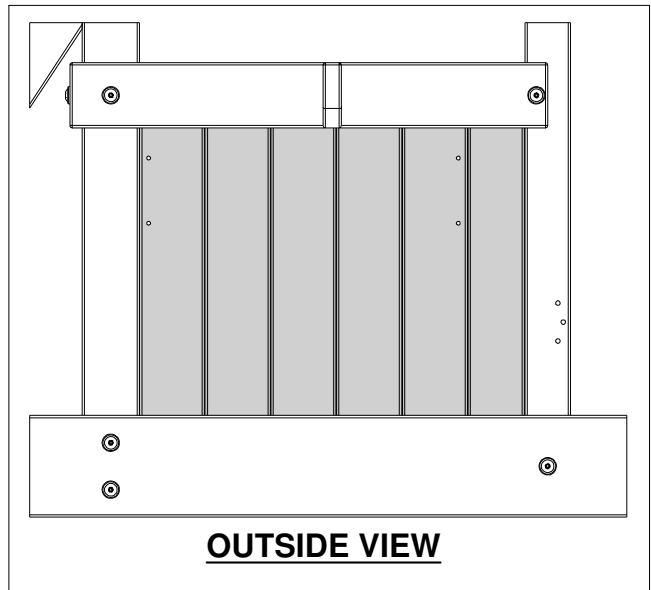
H100380 | SCREW PFH BLK
(x24) | 8x1 1/8



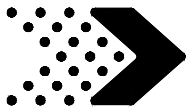
NOTE: EVENLY SPACE ANY GAPS BETWEEN BOARDS.



ASSEMBLY NOTE:
NOTE HOLE LOCATIONS AND BOARD ORIENTATION ON M10 BOARDS.



OUTSIDE VIEW



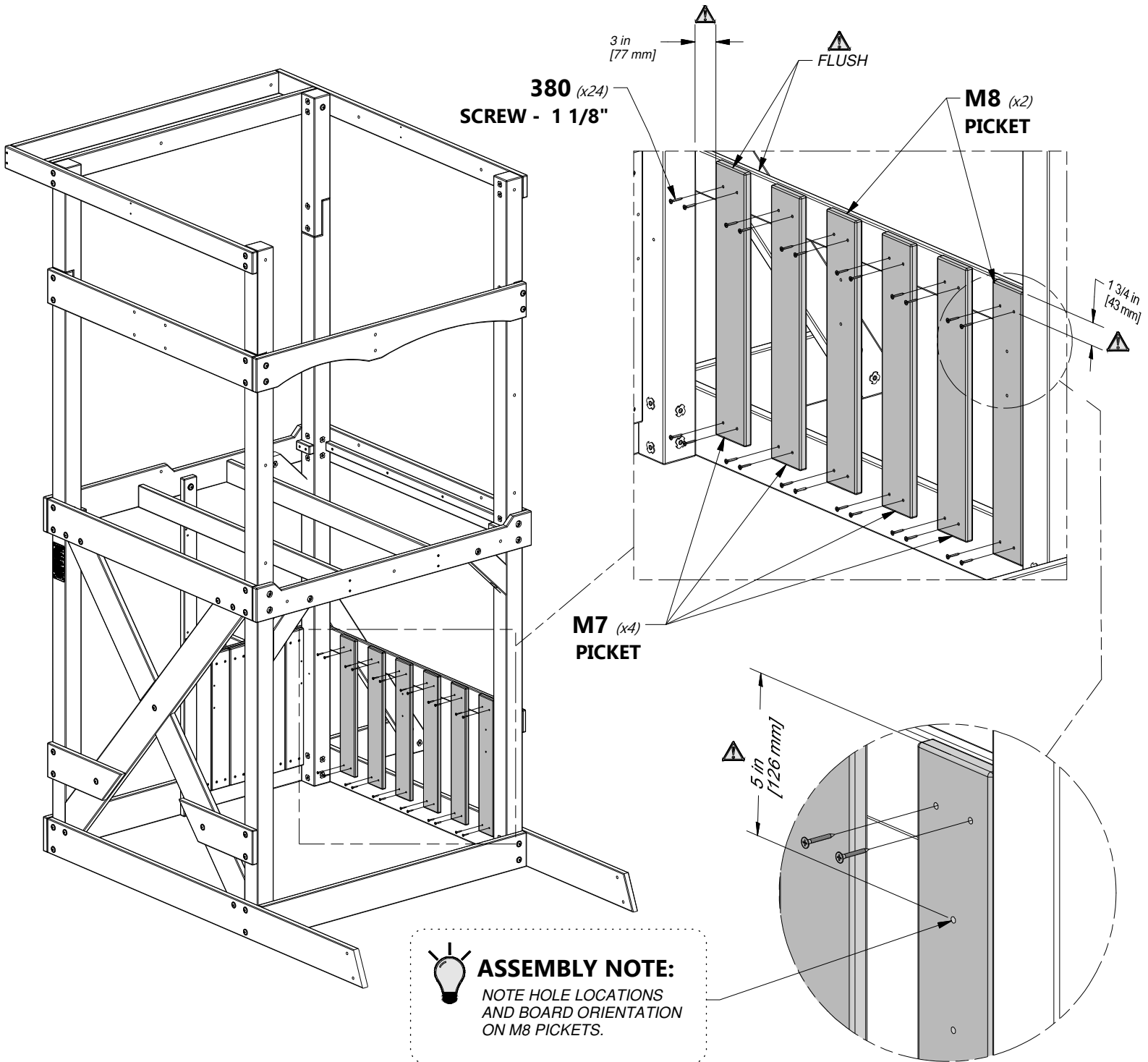
Phase 1

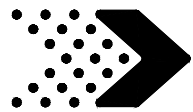
STEP 16

M7
(x4) **PICKET - W4L12316**
5/8"x3 3/8"x21" (16x86x533)

M8
(x2) **PICKET - W4L12395**
5/8"x3 3/8"x21" (16x86x533)

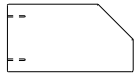
H100380 | **SCREW PFH BLK**
(x24) | 8x1 1/8



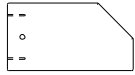


Phase 1

STEP 17



G14 | COUNTER TOP SUPPORT - W4L12322
(x3) | 1"x5 1/4"x9 7/8" (24x134x250)



G15 | COUNTER TOP SUPPORT - W4L12425
(x1) | 1"x5 1/4"x9 7/8" (24x134x250)



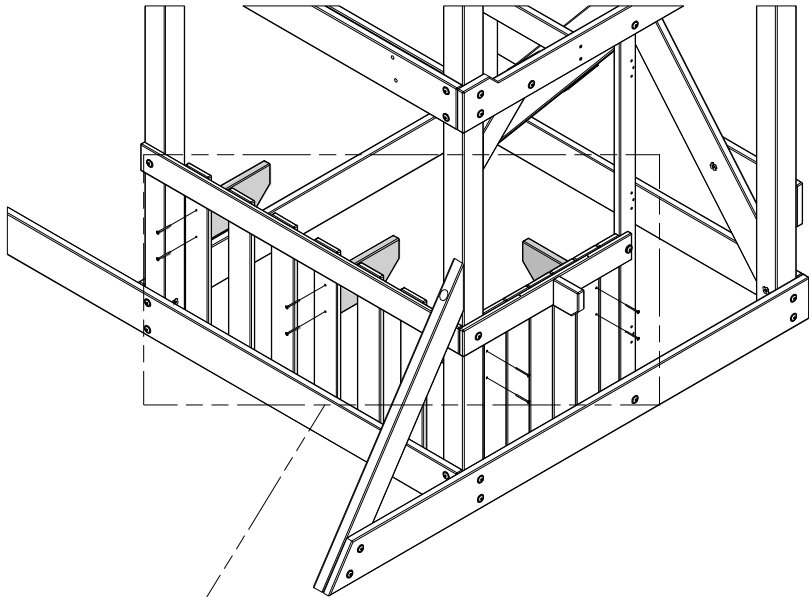
H100197 | LAG SCREW WH BLK
(x1) | 5/16x2 1/2



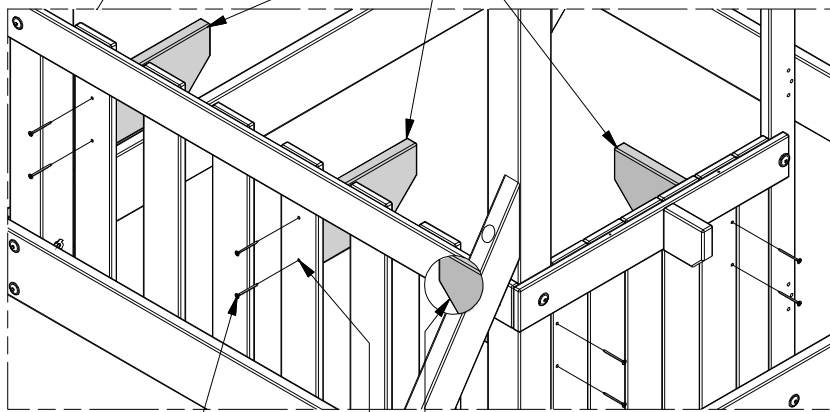
H100198 | WASHER LOCK EXT BLK
(x1) | 8x19



H100391 | SCREW PFH BLK
(x8) | 8x2



G14 (x3)
COUNTER TOP SUPPORT



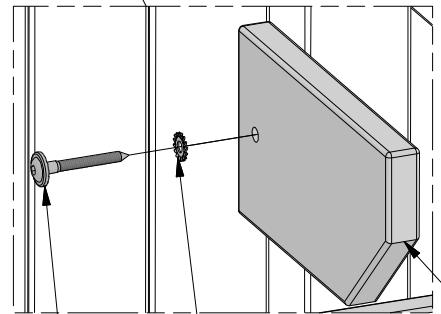
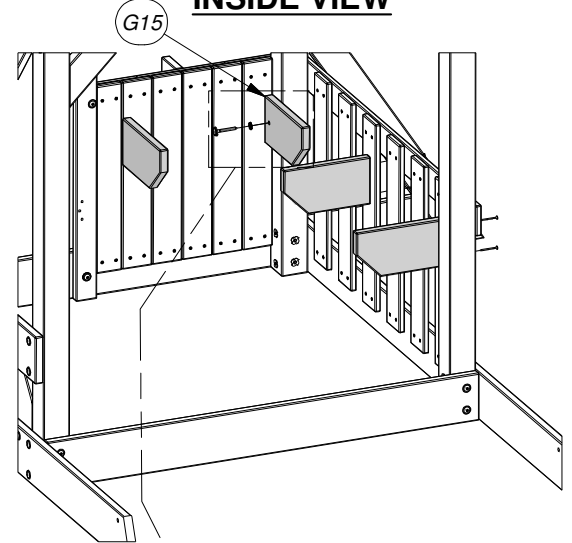
391 (x8)
SCREW - 2"

G15 FROM INSIDE VIEW



ASSEMBLY NOTE:
USE THE PILOT HOLES TO
INSTALL THE COUNTER
SUPPORTS.

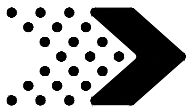
INSIDE VIEW



198 (x1)
WASHER - 8x19

197 (x1)
LAG SCREW - 2 1/2"

G15 (x1)
COUNTER TOP SUPPORT



Phase 1

STEP 18



K5 | COUNTER TOP - W4L12320
(x1) | 5/8"x5 1/4"x32 3/4" (16x134x832)



K6 | COUNTER TOP - W4L12321
(x1) | 5/8"x5 1/4"x32 3/4" (16x134x832)



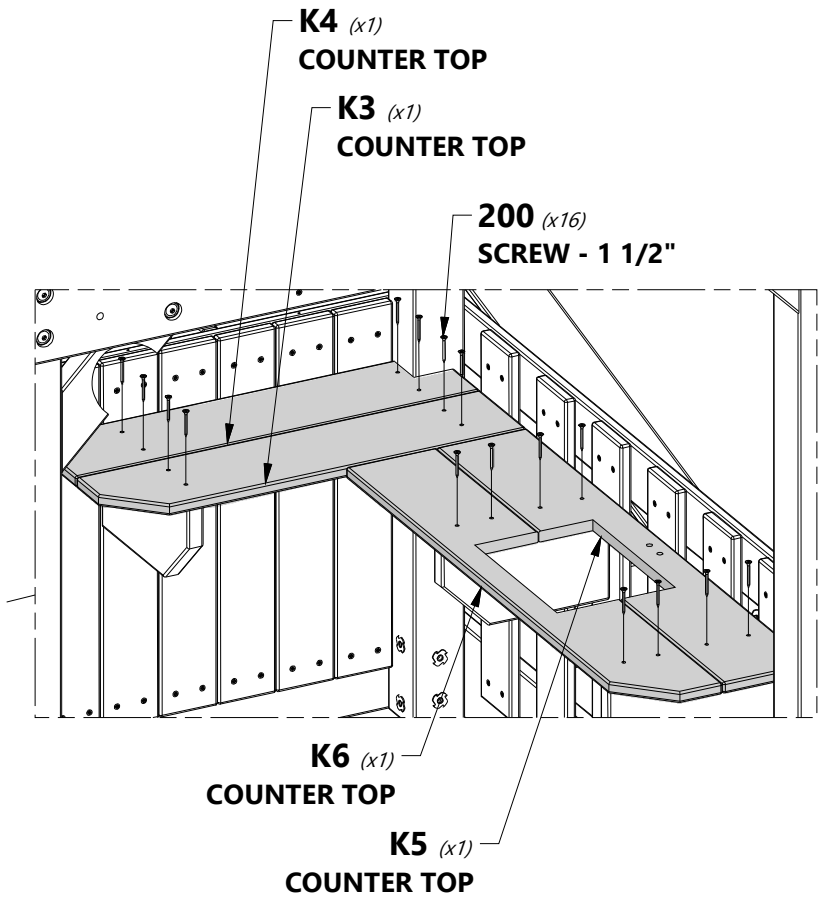
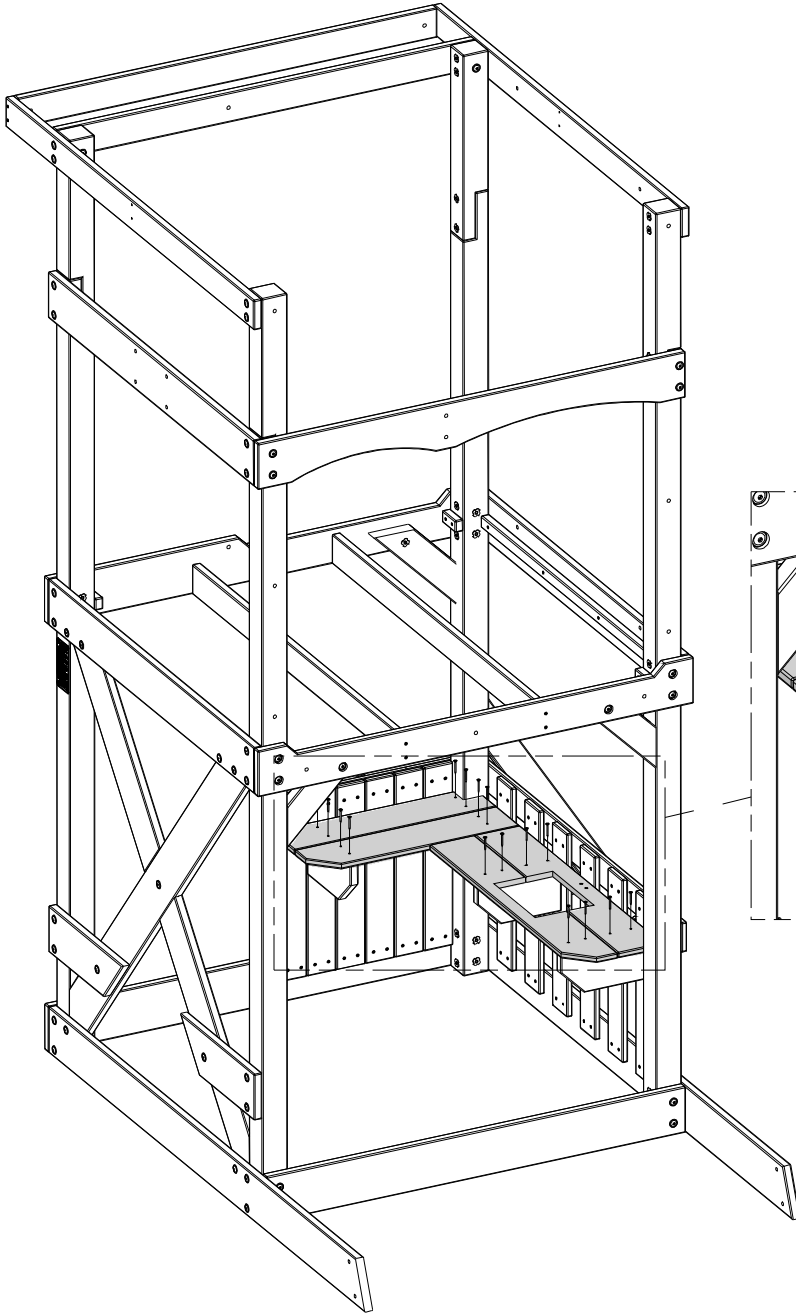
K3 | COUNTER TOP - W4L12318
(x1) | 5/8"x5 1/4"x23 5/8" (16x134x600)

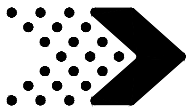


K4 | COUNTER TOP - W4L12319
(x1) | 5/8"x5 1/4"x23 5/8" (16x134x600)



H100200 | SCREW PFH BLK
(x16) | 8x1 1/2





Phase 1

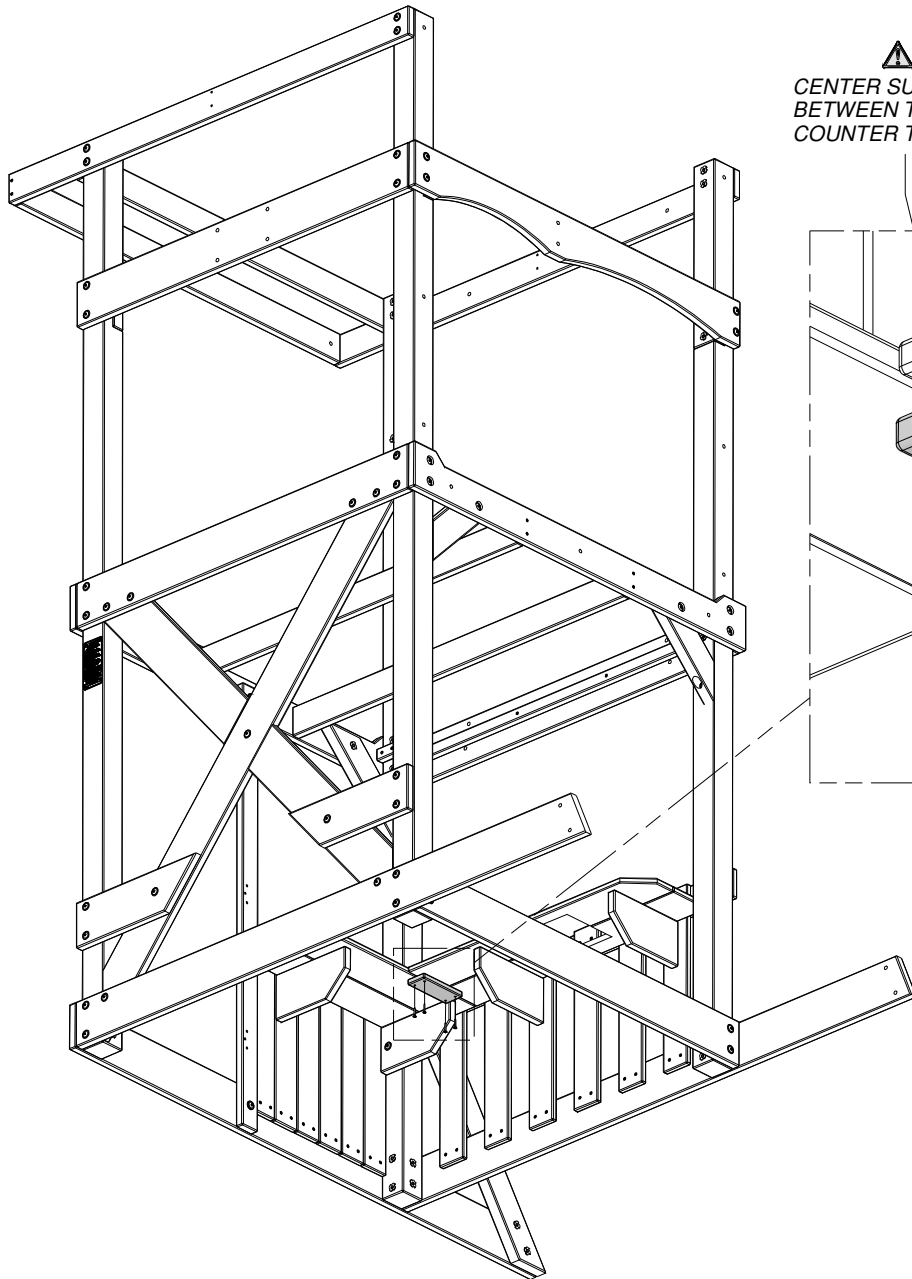
STEP 19



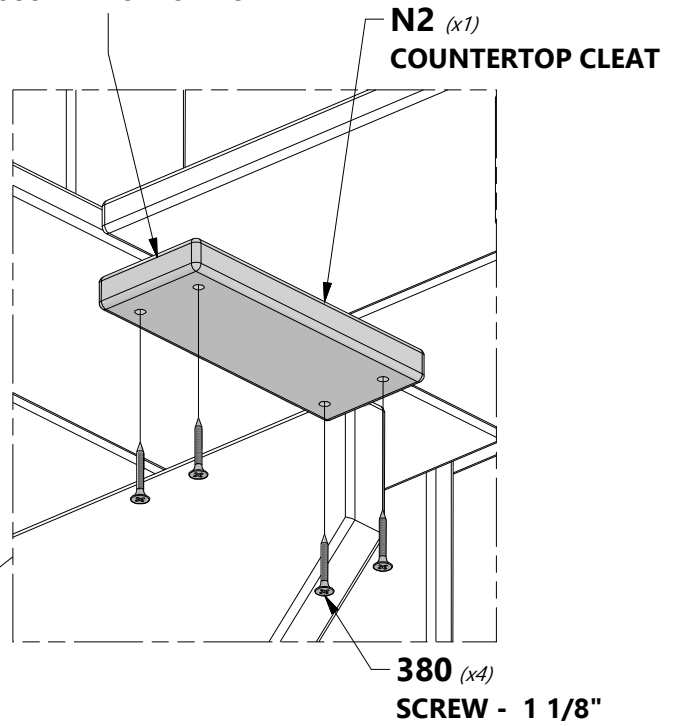
N2 | COUNTERTOP CLEAT - W4L12426
(x1) | 5/8"x2 3/8"x5 7/8" (16x60x150)

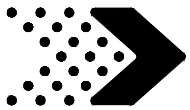


H100380 | SCREW PFH BLK
(x4) | 8x1 1/8



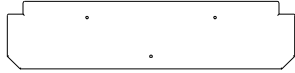
 CENTER SUPPORT
BETWEEN THE SHOWN
COUNTER TOP BOARDS.





Phase 1

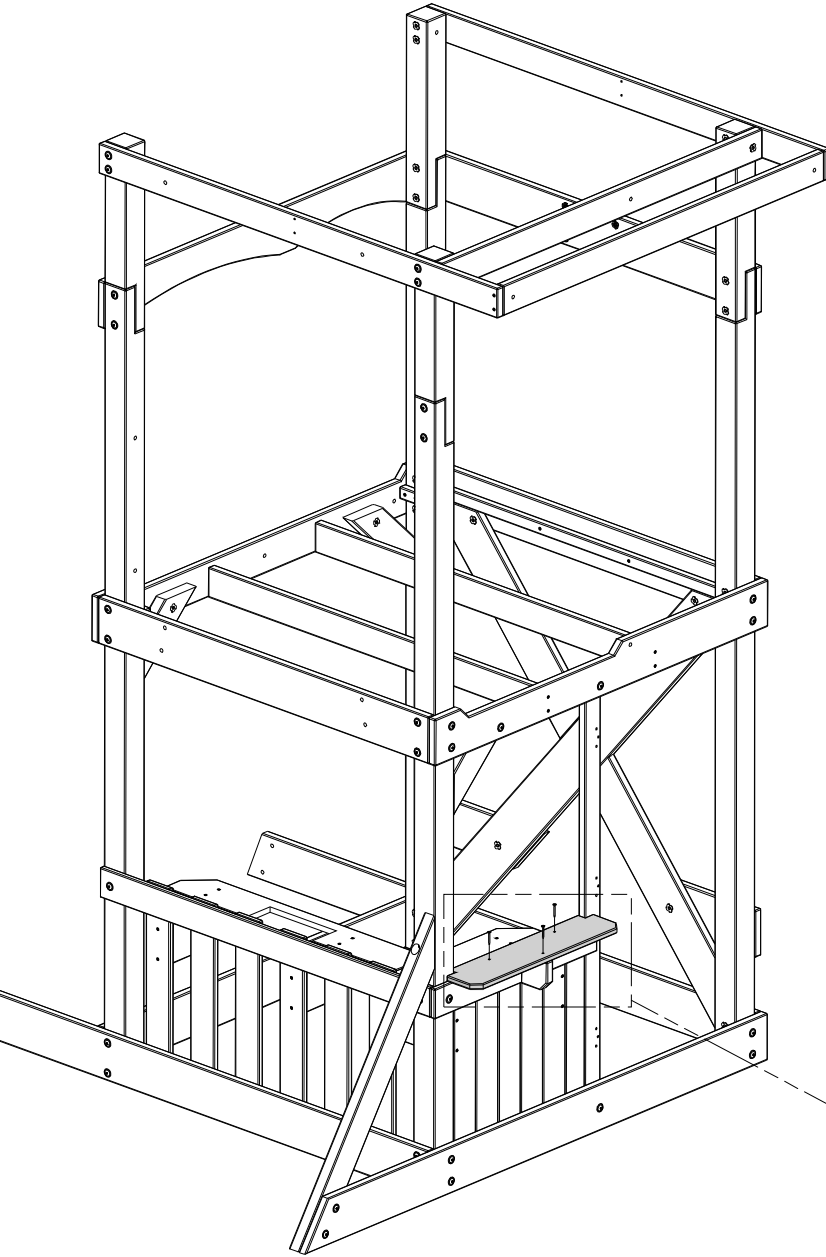
STEP 20



K7 | **COUNTER TOP - W4L12423**
(x1) | 5/8"x5 1/4"x22 1/2" (16x134x570)

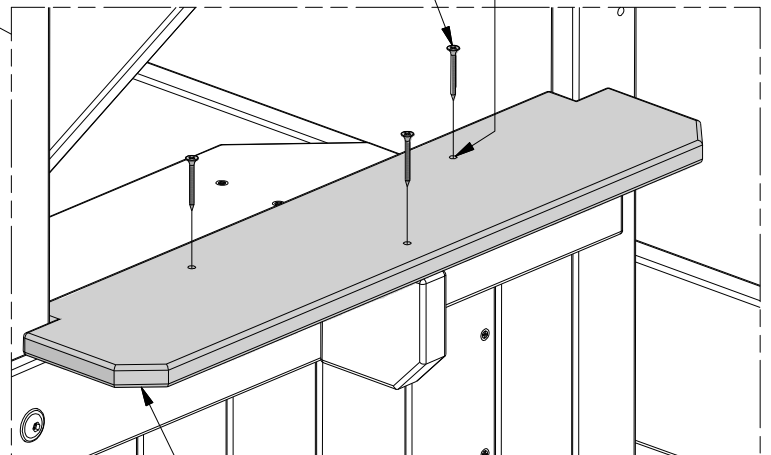


H100200 | **SCREW PFH BLK**
(x3) | 8x1 1/2

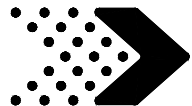


ASSEMBLY NOTE:
ALIGN THE PILOT HOLES TO
LOCATE K7 BOARD.

200 (x3)
SCREW - 1 1/2"

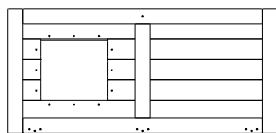


K7 (x1)
COUNTER TOP



Phase 1

STEP 21

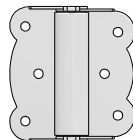


DP1 | DOOR PANEL - W2A02757
(x1) 1 1/8"x16 1/2"x43 7/8" (27x493x1072)

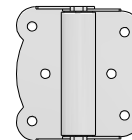
H100807 | SCREW POH BLK
(x9) 8/32x1

H100806 | SCREW POH BLK
(x9) 8/32x1 1/8

H100804 | T-NUT
(x18) 8/32



A4M00624 | HINGE (DOOR, SPRING LOADED)
(x2)

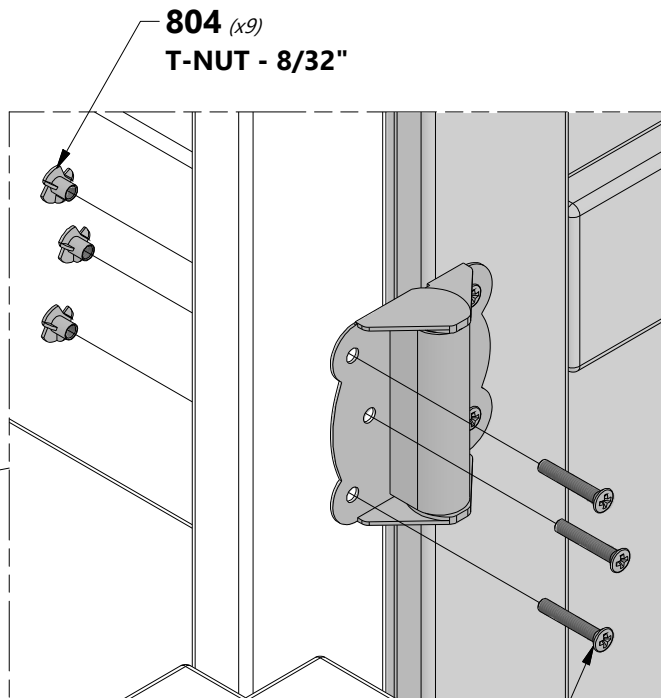
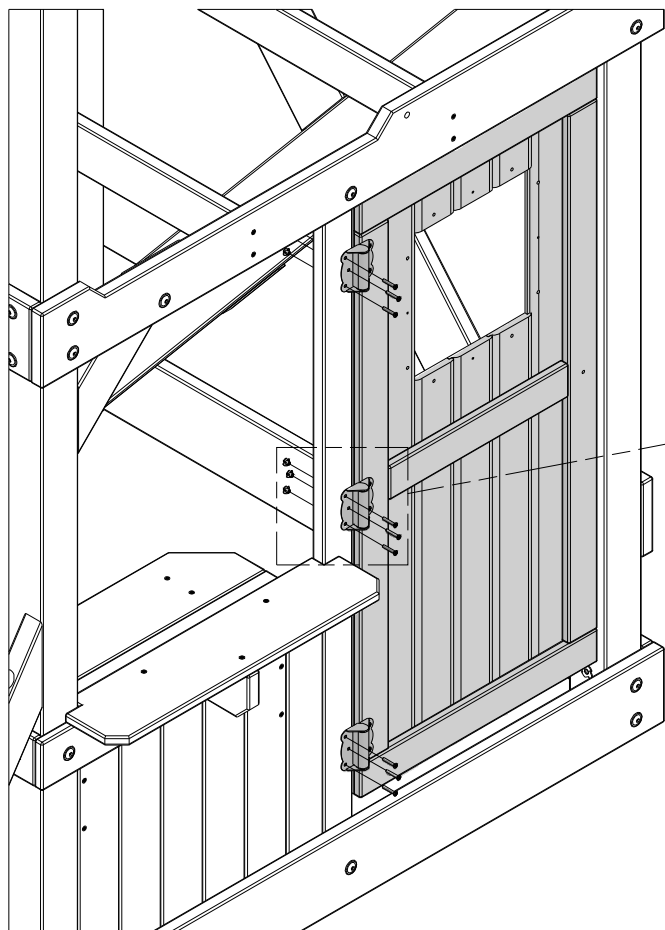
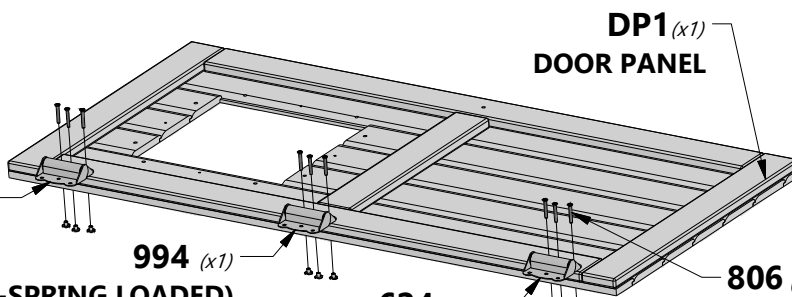


A4M00994 | HINGE (DOOR, NON-SPRING LOADED)
(x1)



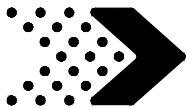
ASSEMBLY NOTE:

START BY ATTACHING THE HINGES TO THE DOOR FIRST. MAKE SURE THE NON-SPRING LOADED HINGE IS MOUNTED USING THE CENTER PILOT HOLES ON THE DOOR.



ASSEMBLY TIP:

USE AN ADULT HELPER TO HOLD THE DOOR SQUARE WHILE YOU INSTALL THE DOOR.



Phase 1

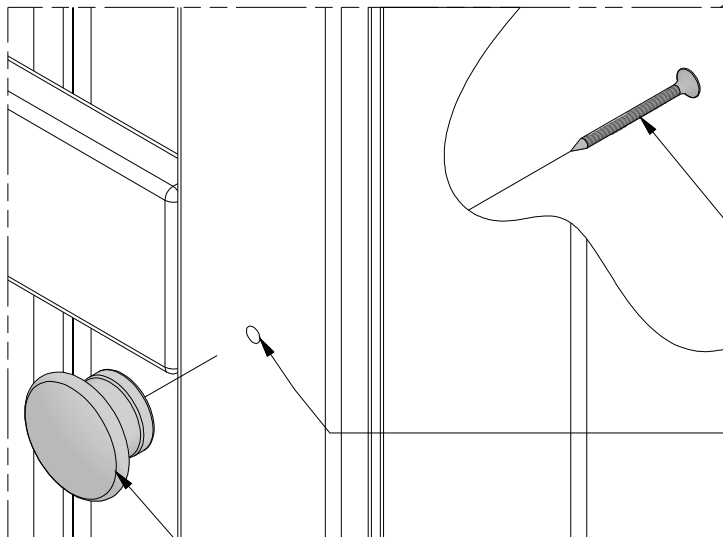
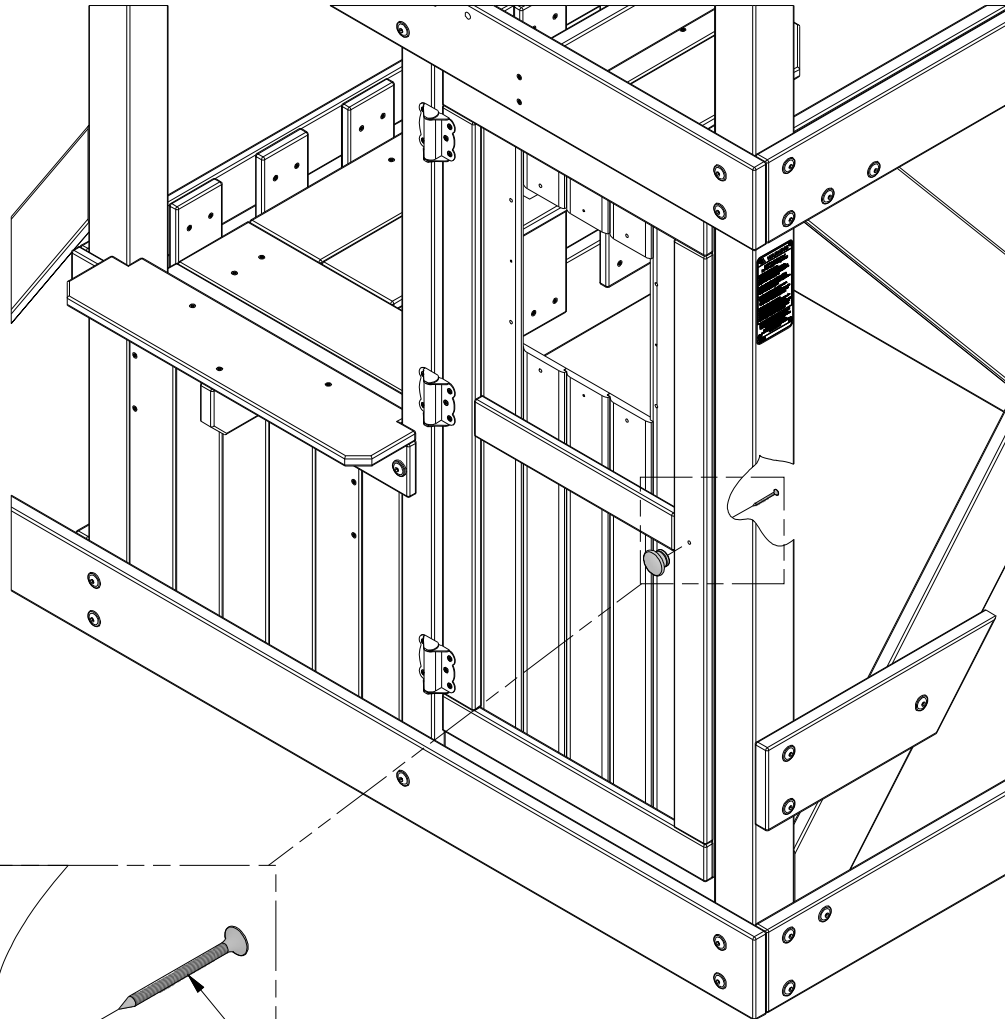
STEP 22



A6P00274 | **KNOB - DR.BRN**
(x1)



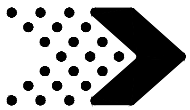
H100382 | **SCREW PFH BLK**
(x1) | 8x1 3/4



382 (x1)
SCREW - 1 3/4"

NOTE PILOT HOLE

274 (x1)
KNOB - DR.BRN



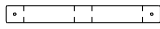
Phase 1

STEP 23

O3 | WINDOW TRIM - W4L12435
(x2) | 5/8"x1 3/8"x10 3/8" (16x34x265)

O4 | WINDOW TRIM - W4L12436
(x2) | 5/8"x1 3/8"x12" (16x34x306)

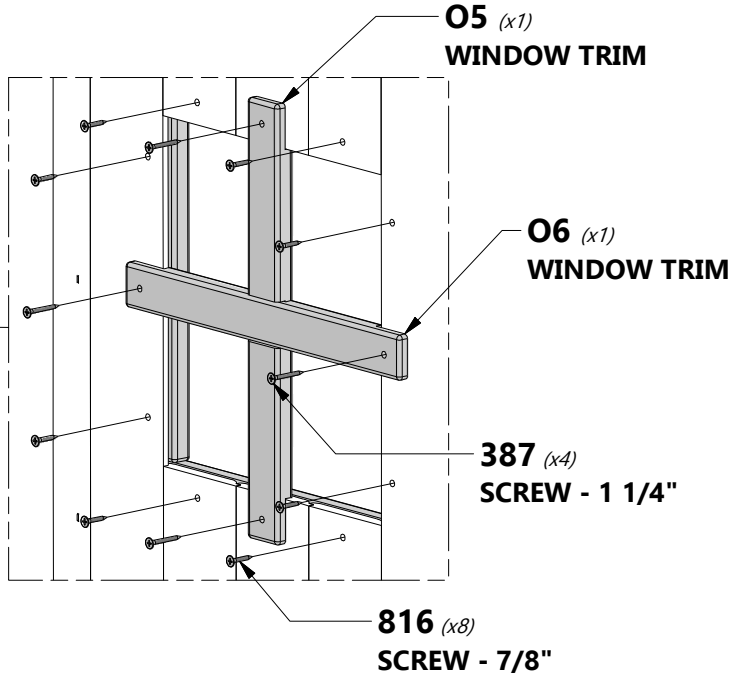
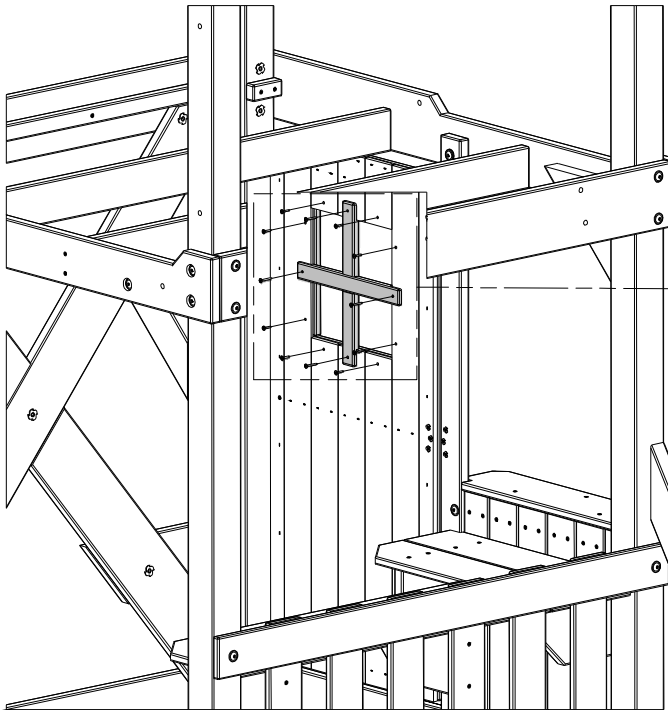
H100816 | SCREW PFH BLK
(x8) | 8x7/8



H100387 | SCREW PFH BLK
(x4) | 8x1-1/4

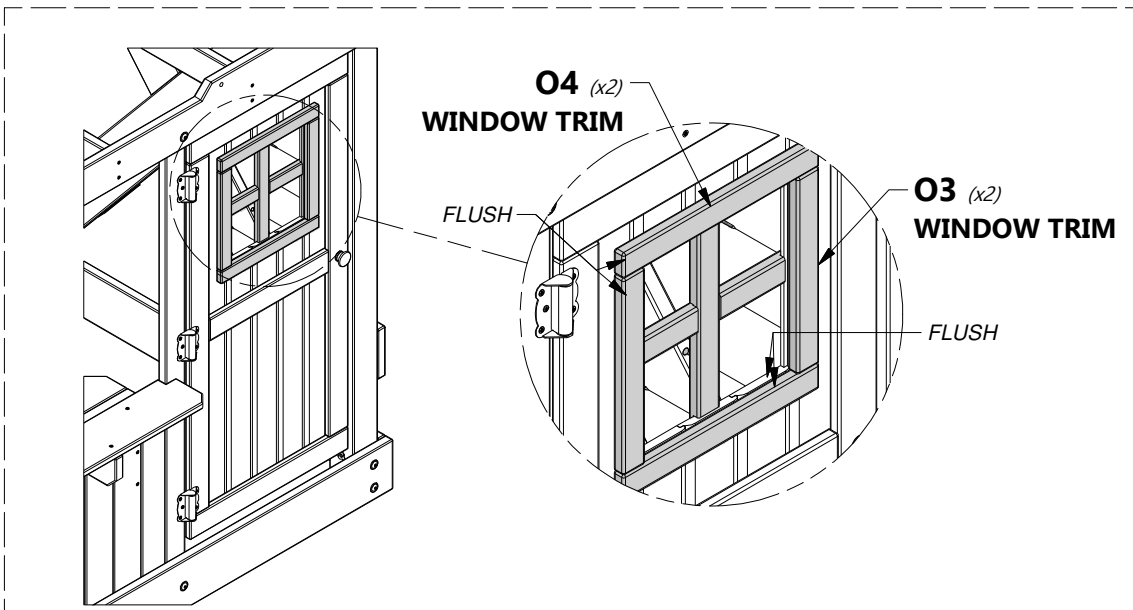
O6 | WINDOW TRIM - W4L12438
(x1) | 5/8"x1 3/8"x12" (16x34x306)

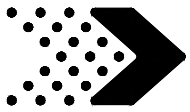
O5 | WINDOW TRIM - W4L12437
(x1) | 5/8"x1 3/8"x13 1/8" (16x34x333)



ASSEMBLY NOTE:

INSTALL OUTER WINDOW TRIM FIRST USING 7/8" SCREWS THEN INSTALL THE INSIDE TRIM USING 1-1/4" SCREWS.






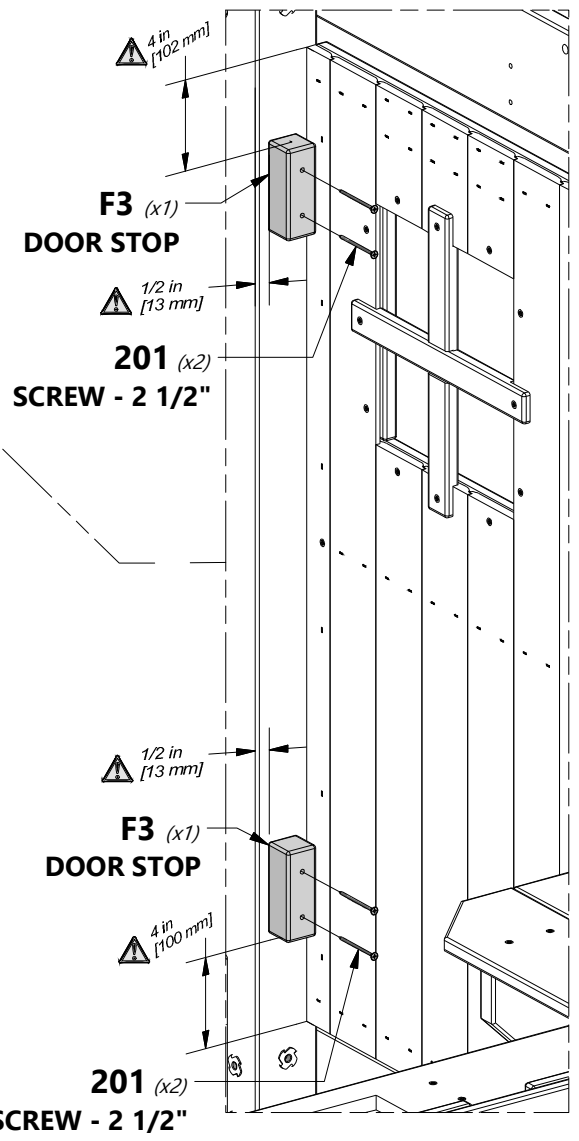
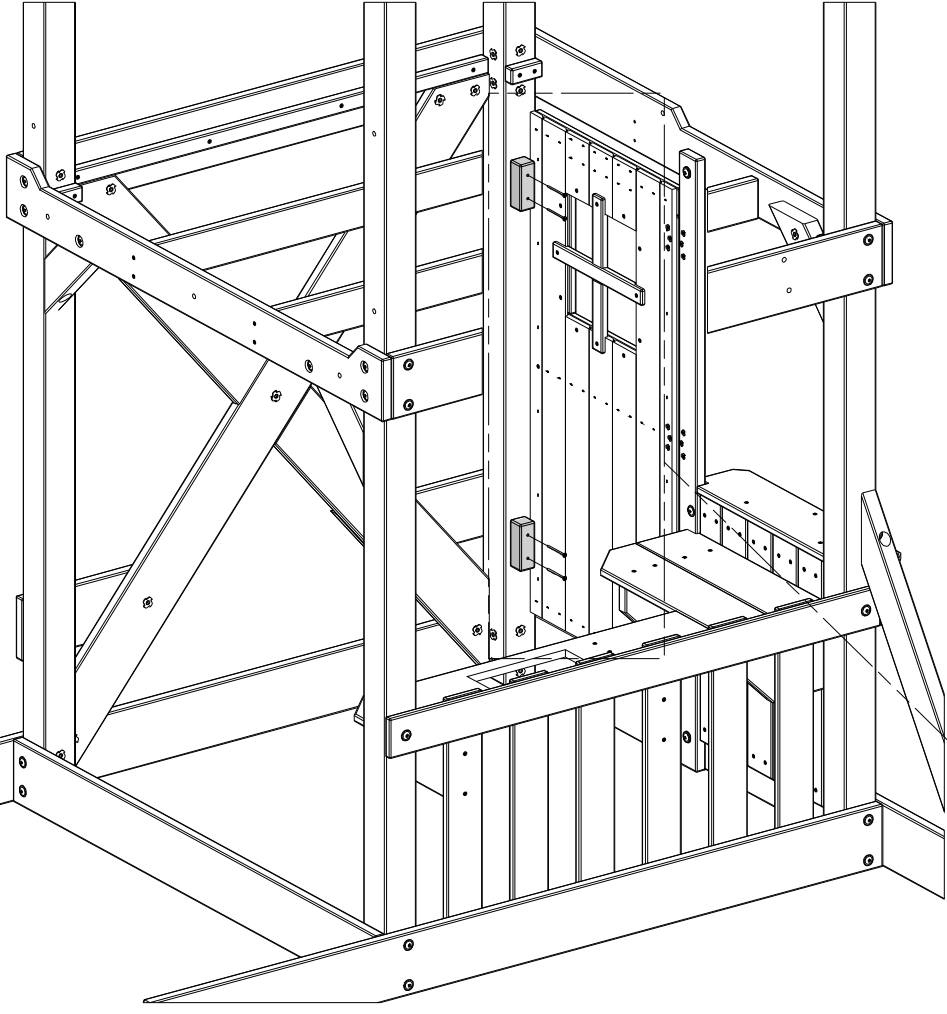
Phase 1

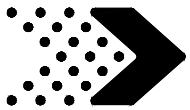
STEP 24

F3 | **DOOR STOP - W4L12501**
 (x2) | 1 3/8"x1 3/8"x3 7/8" (36x36x100)

H100201 | **SCREW PFH BLK**
 (x4) | 8x2-1/2

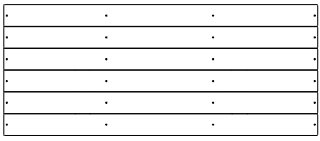
 **ASSEMBLY NOTE:**
 MOUNT THE DOOR STOPS
 USING THE DIMENSIONS AS
 SHOWN.



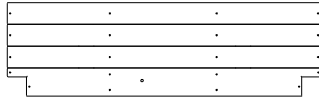


Phase 1

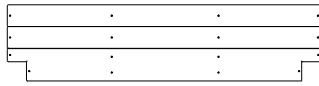
STEP 25



FP1 | FLOOR PANEL - W2A02746
(x1) 1 1/4"x20 7/16"x49 1/16" (32x519x1247)



FP2 | FLOOR PANEL - W2A02747
(x1) 1 1/4"x14 5/8"x49 1/16" (32x372x1247)



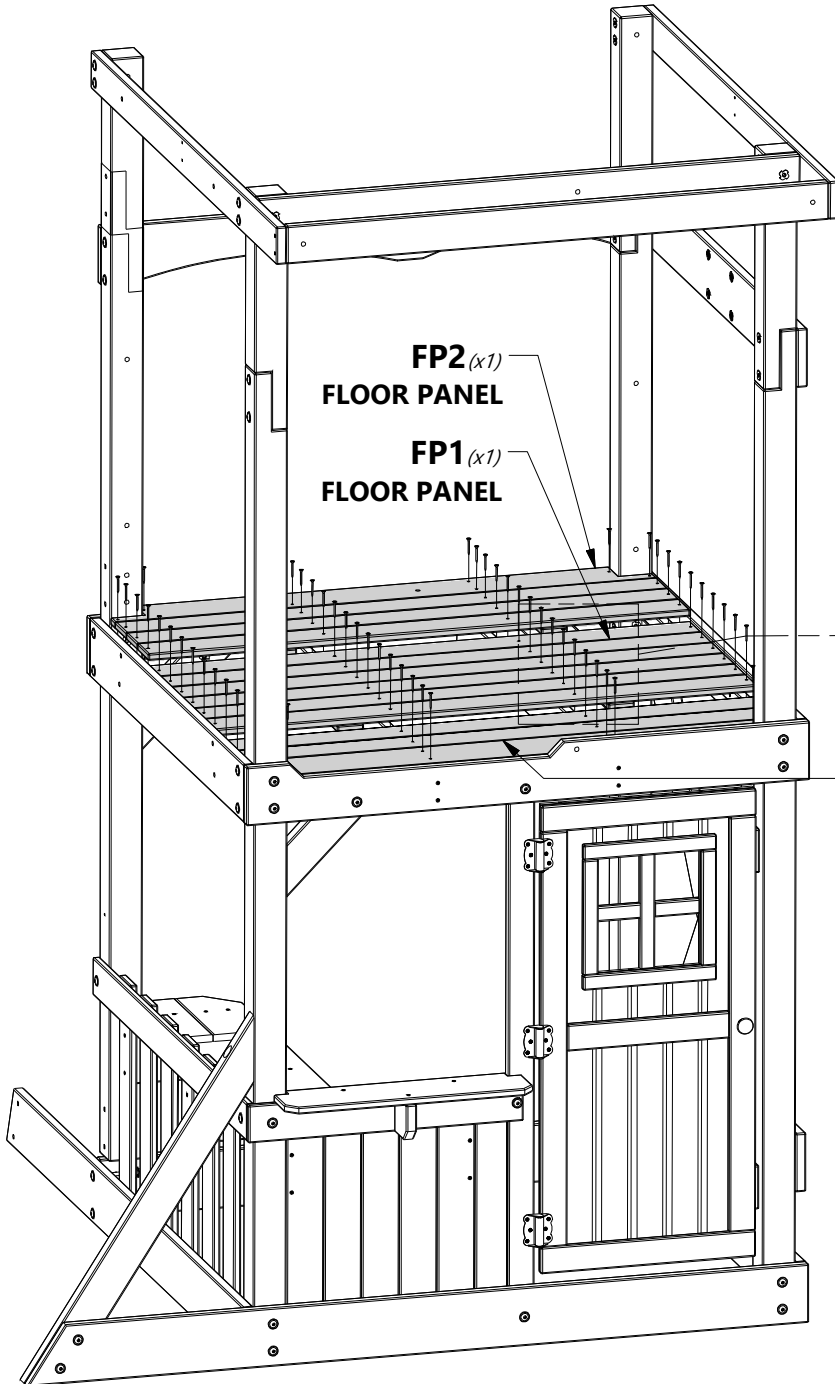
FP3 | FLOOR PANEL - W2A02749
(x1) 1 1/4"x11 7/8"x49 1/16" (32x302x1247)



H100200 | SCREW PFH BLK
(x60) 8x1 1/2



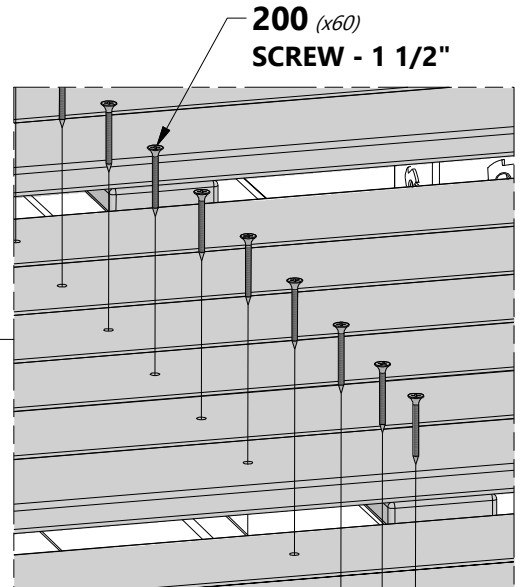
ASSEMBLY TIP:
PLACE FLOOR PANELS AS SHOWN FIRST. THEN USING THE PRE-DRILLED HOLES MOUNT THEM WITH THE PROVIDED SCREWS.

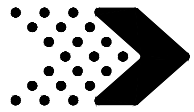


FP2 (x1)
FLOOR PANEL

FP1 (x1)
FLOOR PANEL

FP3 (x1)
FLOOR PANEL





Phase 1

STEP 26



F1 | **WALL UPRIGHT - W4L12398**
(x2) | 1 3/8"x2 3/8"x60 3/8" (36x60x1533)



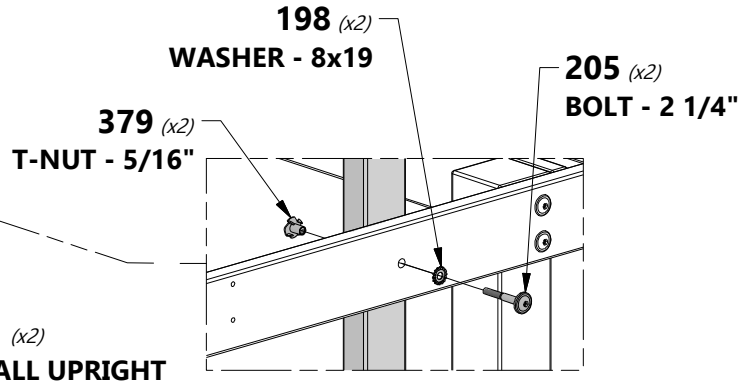
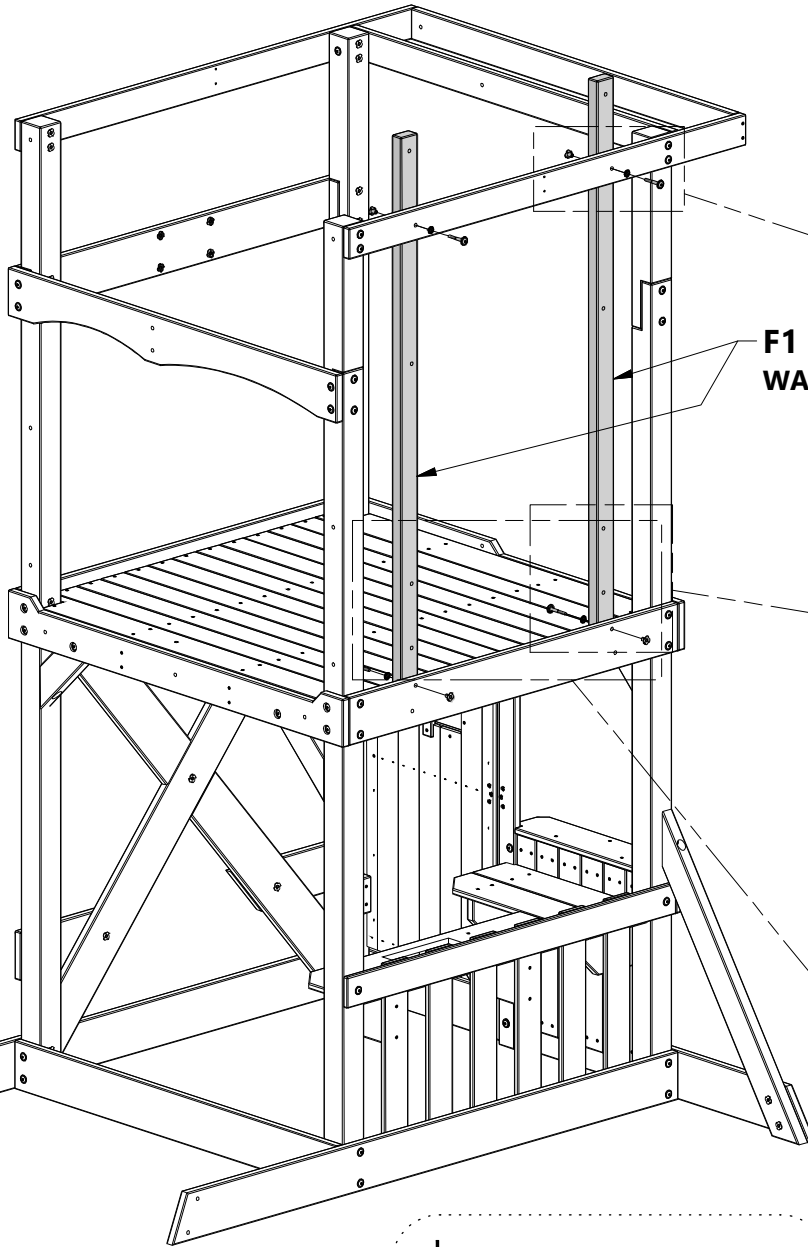
H100205 | **BOLT WH BLK**
(x4) | 5/16x2-1/4



H100198 | **WASHER LOCK EXT BLK**
(x4) | 8x19

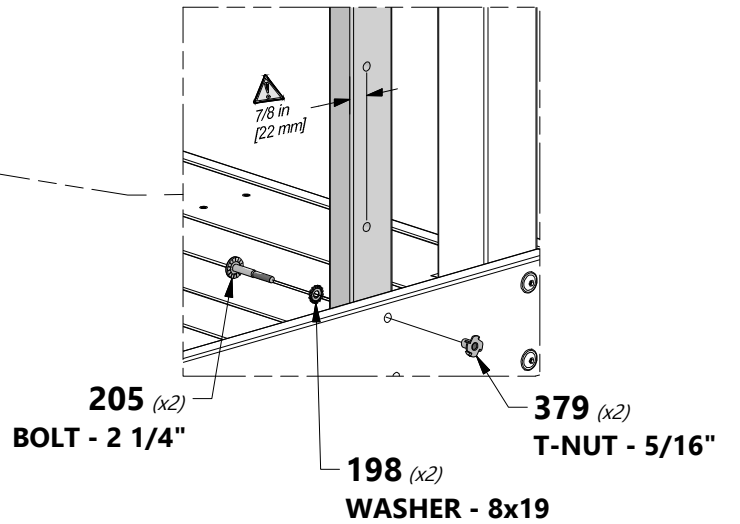


H100379 | **T-NUT BLK**
(x4) | 5/16




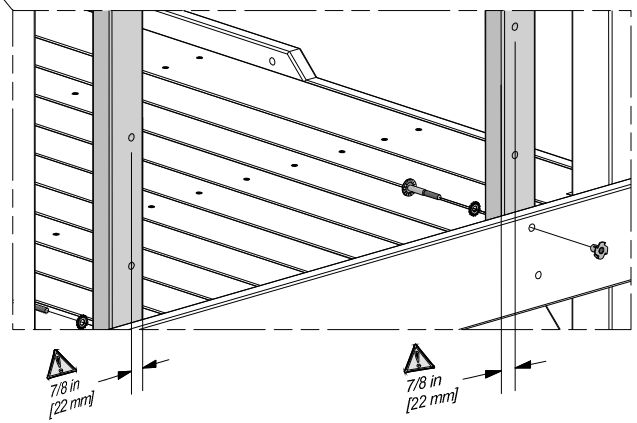
198 (x2)
WASHER - 8x19
379 (x2)
T-NUT - 5/16"
205 (x2)
BOLT - 2 1/4"

F1 (x2)
WALL UPRIGHT



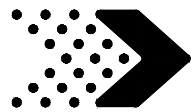
205 (x2)
BOLT - 2 1/4"
379 (x2)
T-NUT - 5/16"
198 (x2)
WASHER - 8x19

 **ASSEMBLY NOTE:**
NOTE THE DIAGRAM TO THE RIGHT. NOTE HOW THE F1 BOARDS MIRROR EACH OTHER WITH THE SHOWN HOLES BEING CLOSER TO THE INSIDE OPENING.



7/8 in [22 mm]

7/8 in [22 mm]



Phase 1

STEP 27



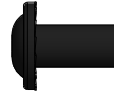
H5 | DECK SUPPORT - W4L12408
(x1) | 1"x3 3/8"x30 3/8" (24x86x772)



A100340 | L BRACKET 2.5x38x50x55
(x2)



H100457 | BOLT WH BLK
(x2) | 5/16x2



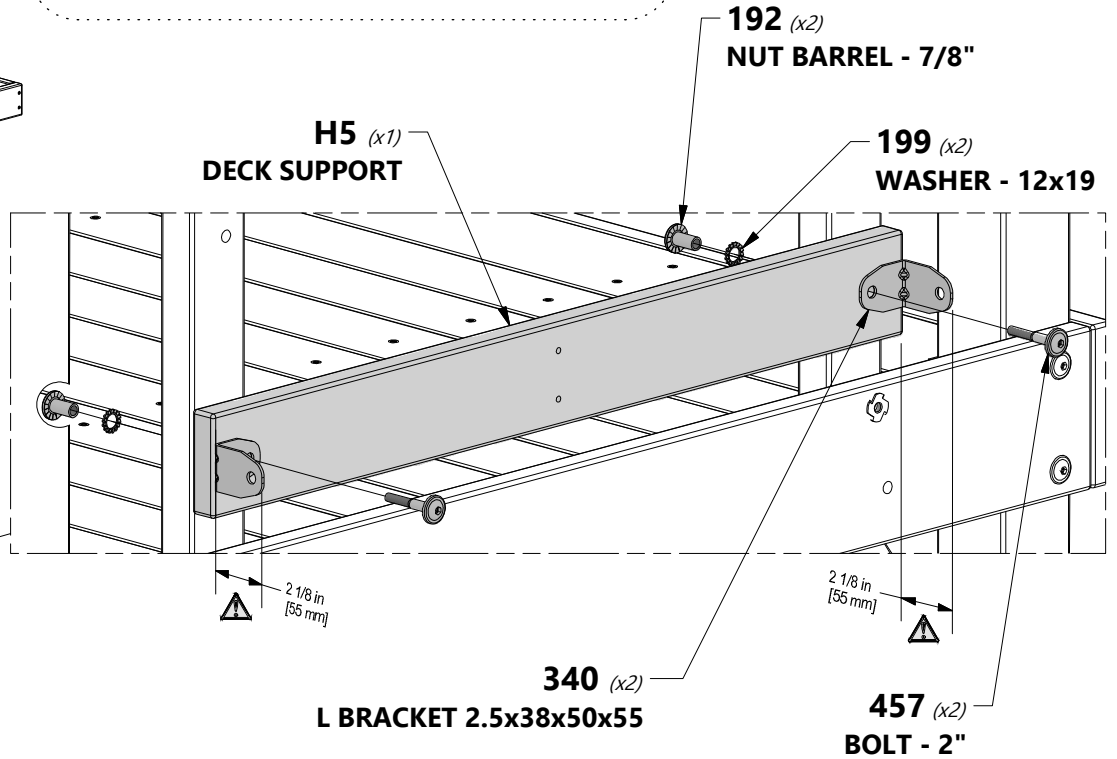
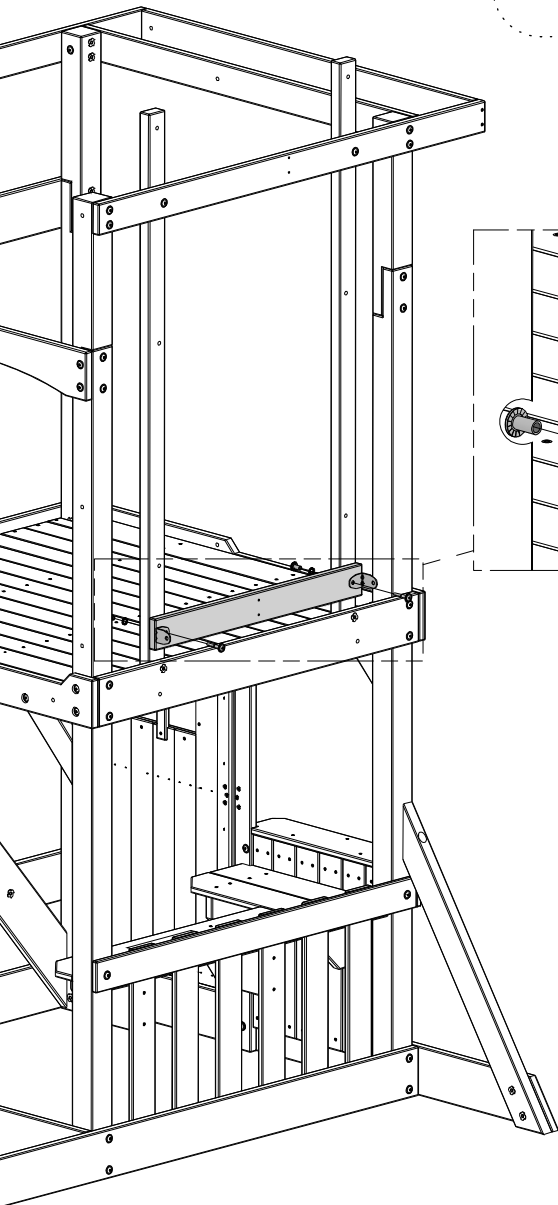
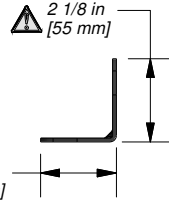
H100192 | NUT BARREL WH BLK
(x2) | 5/16x7/8

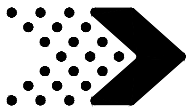


H100199 | WASHER LOCK EXT BLK
(x2) | 12x19



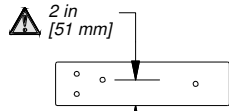
ASSEMBLY NOTE:
THE BRACKET ORIENTATION IS CRITICAL. PLEASE ORIENTATE WITH DIMENSIONS BELOW AS SHOWN.





Phase 1

STEP 28

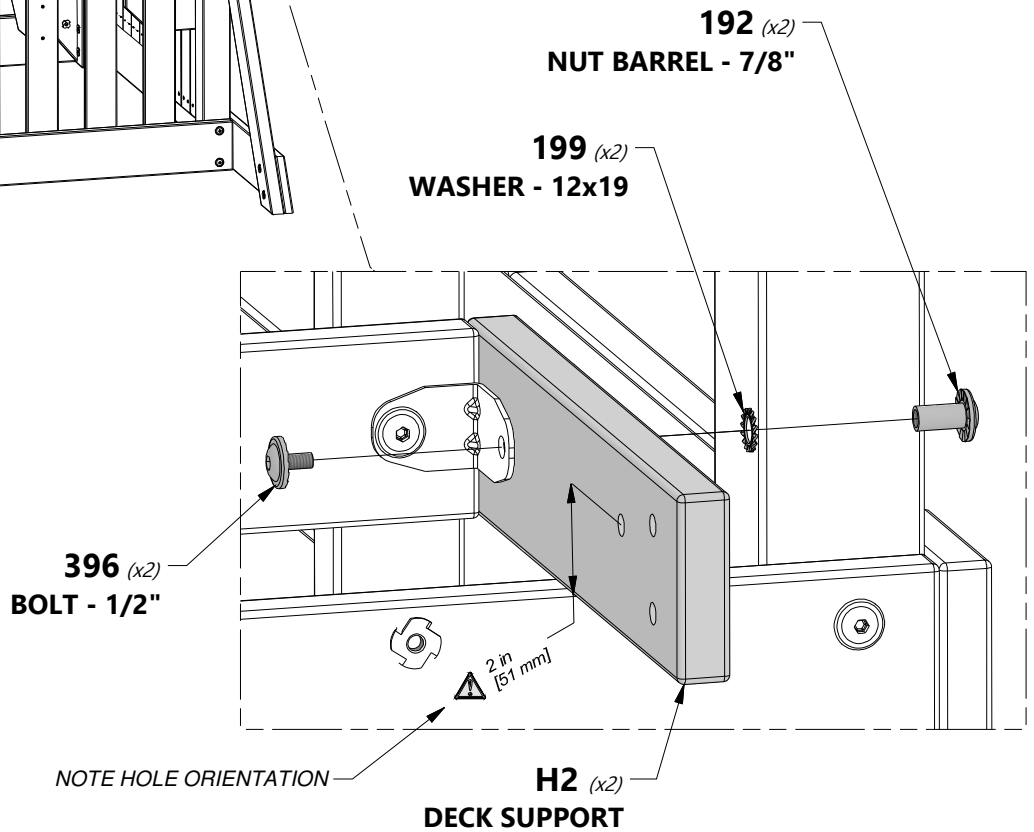
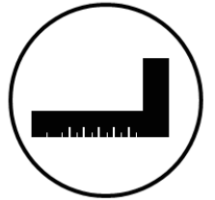
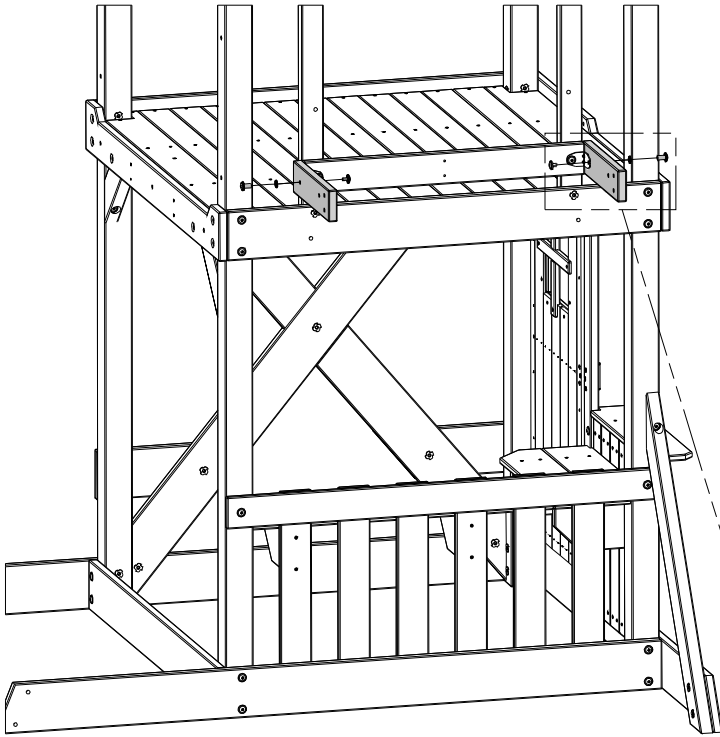


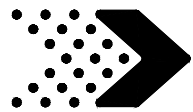
H2 | **DECK SUPPORT - W4L12403**
(x2) | 1"x3 3/8"x13 5/8" (24x86x345)

H100396 | **BOLT WH BLK**
(x2) | 5/16x1/2

H100192 | **NUT BARREL WH BLK**
(x2) | 5/16x7/8

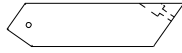
H100199 | **WASHER LOCK EXT BLK**
(x2) | 12x19





Phase 1

STEP 29



E2 | **BRACE - W4L12418**
(x2) | 1 3/8"x3 3/8"x13 7/8" (36x86x351)



H100205 | **BOLT WH BLK**
(x2) | 5/16x2-1/4



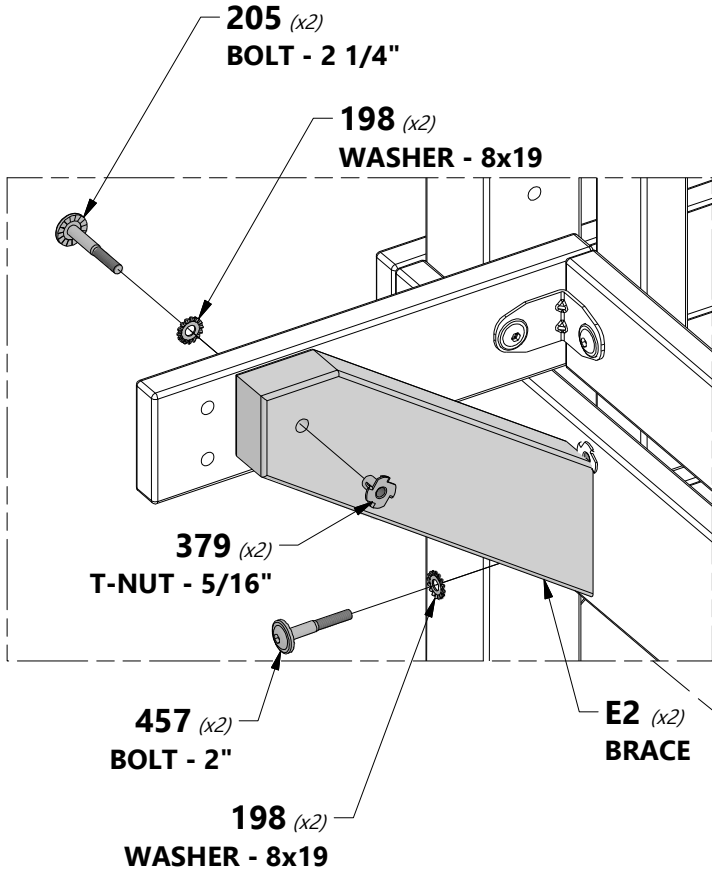
H100198 | **WASHER LOCK EXT BLK**
(x4) | 8x19



H100457 | **BOLT WH BLK**
(x2) | 5/16x2

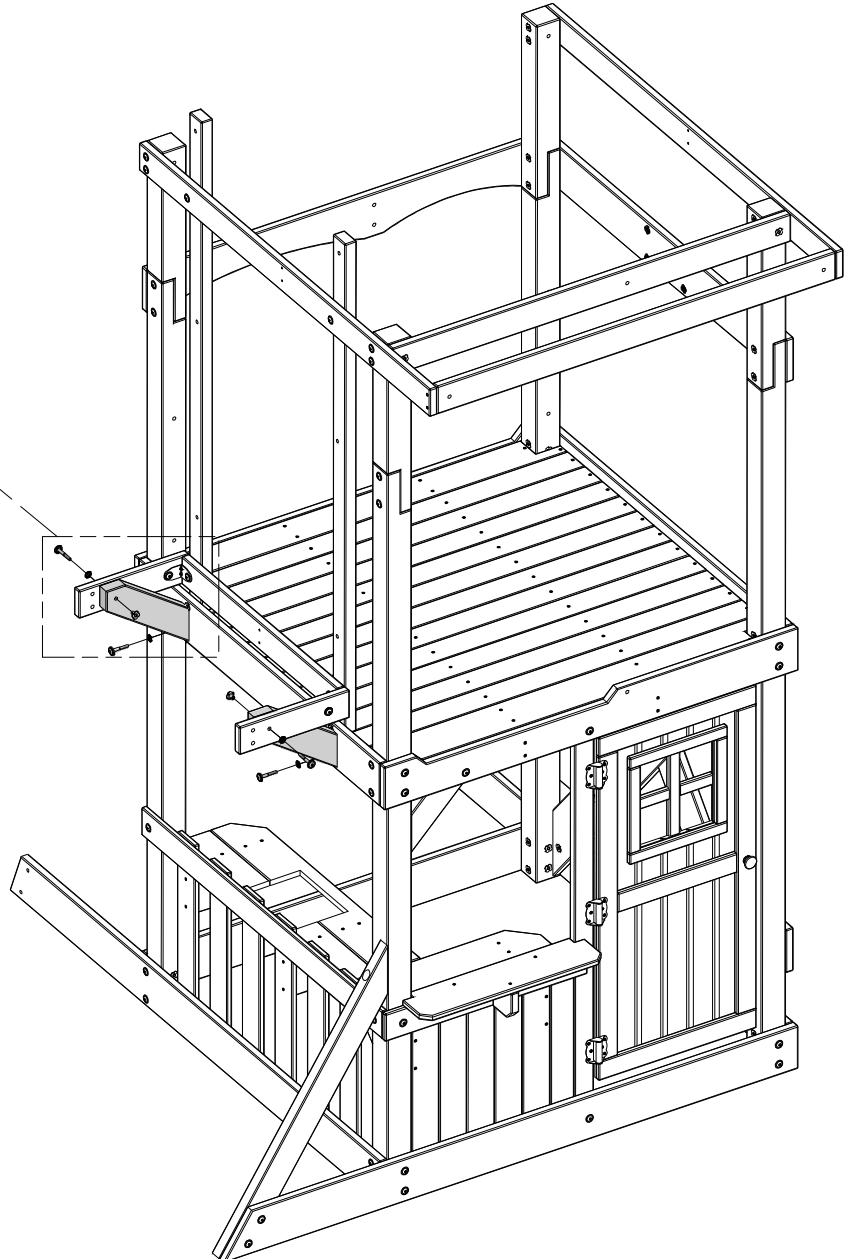
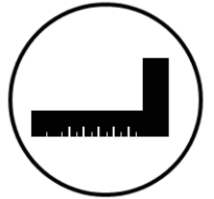


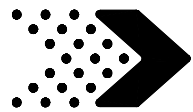
H100379 | **T-NUT BLK**
(x2) | 5/16



ASSEMBLY NOTE:

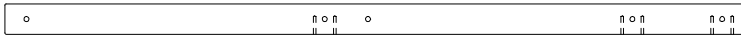
AT THIS TIME YOU WILL MOUNT THE BRACES USING THE T-NUTS THAT WERE PREVIOUSLY INSTALLED.





Phase 1

STEP 30



F2 | WALL UPRIGHT - W4L12405
(x2) | 1 3/8"x2 3/8"x57 3/4" (36x60x1467)



H100197 | LAG SCREW WH BLK
(x4) | 5/16x2 1/2

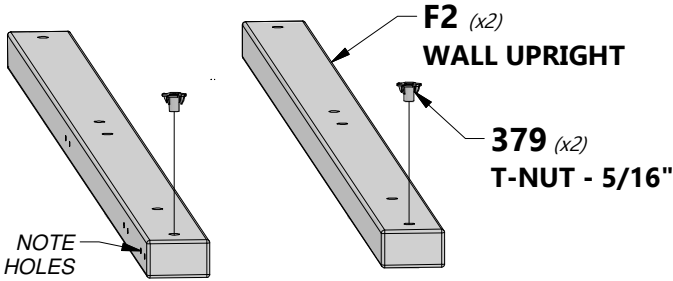


H100198 | WASHER LOCK EXT BLK
(x4) | 8x19



H100379 | T-NUT BLK
(x2) | 5/16

PRE-INSTALL T-NUTS

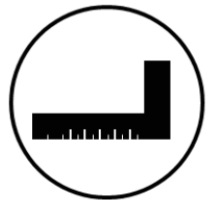


NOTE
PILOT HOLES
USED BELOW

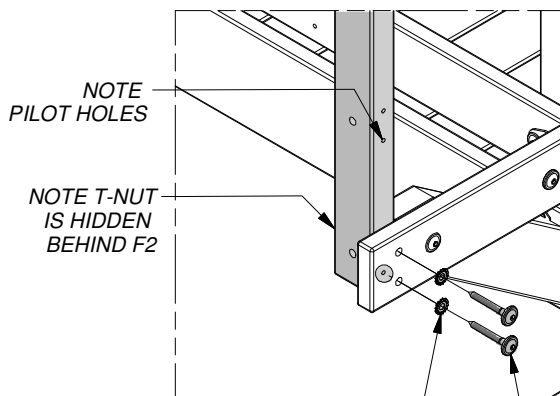


ASSEMBLY NOTE:

START BY INSTALLING THE T-NUTS AS SHOWN. NOTE THE BOARDS SHOULD MIRROR EACH OTHER WITH THE PILOT HOLES FACING OUTWARD AS SHOWN.

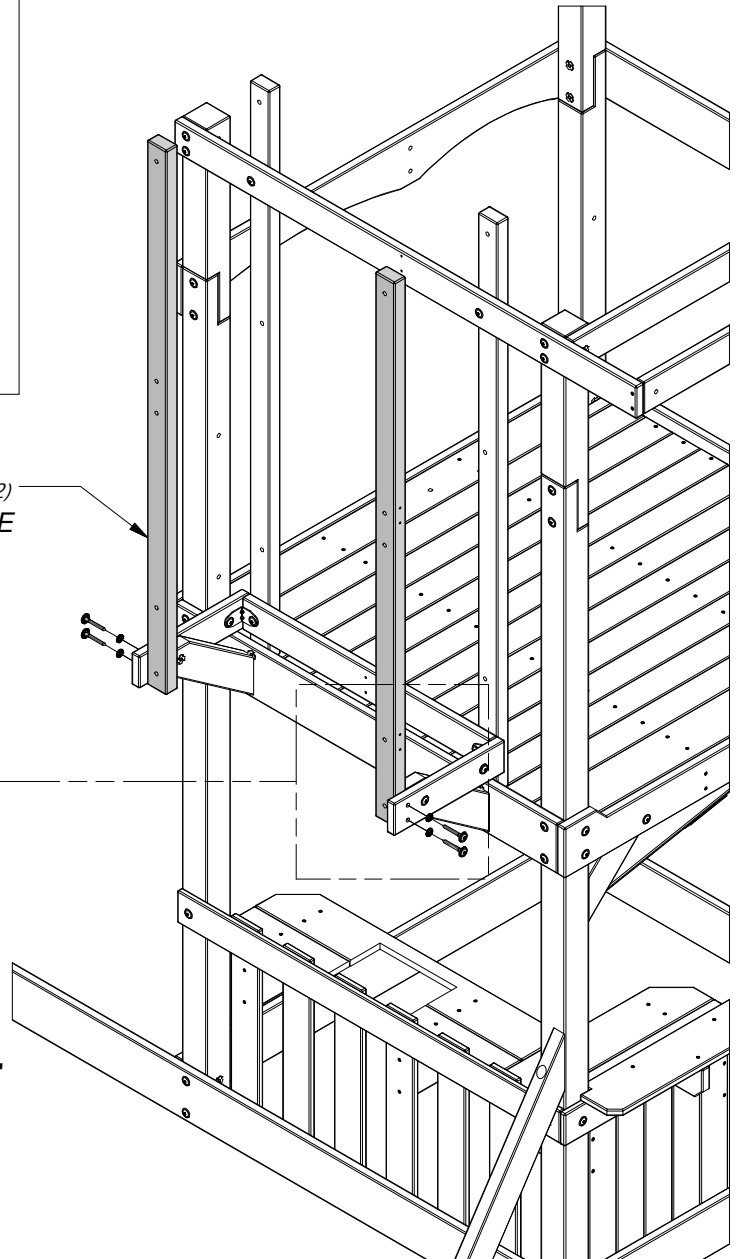


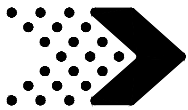
F2 (x2)
SHOWN ABOVE



198 (x4)
WASHER - 8x19

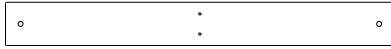
197 (x4)
LAG SCREW - 2 1/2"





Phase 1

STEP 31



H4 | **DECK SUPPORT - W4L12414**
(x1) | 1"x3 3/8"x30 3/8" (24x86x772)



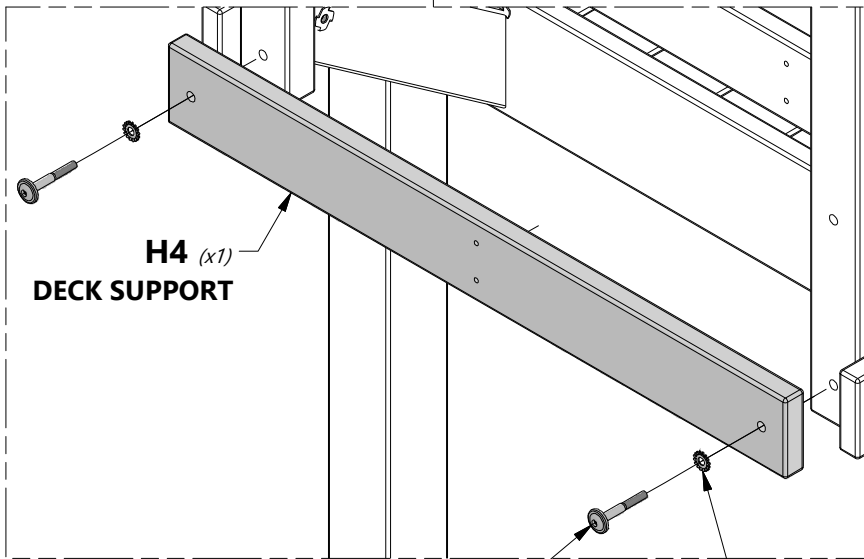
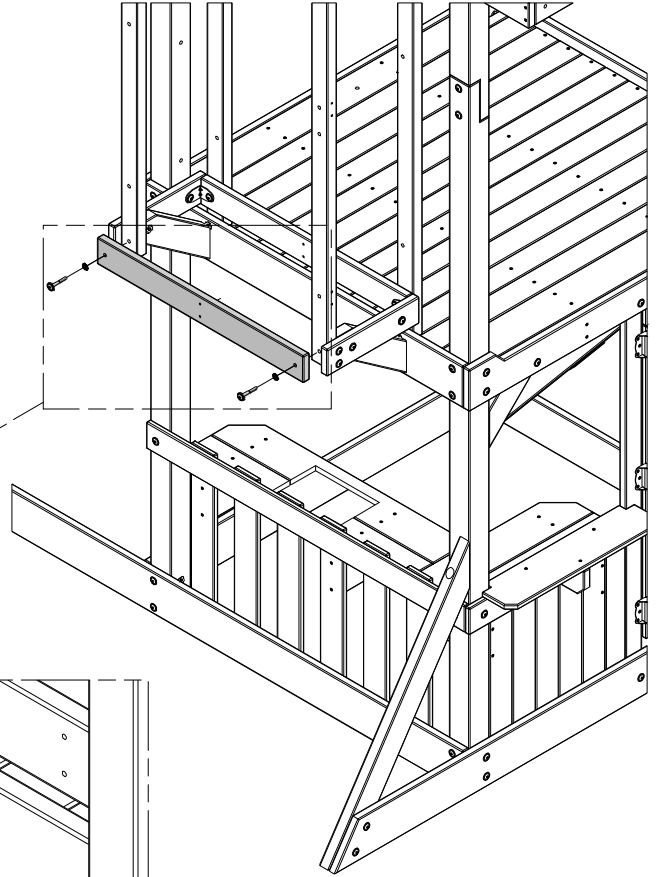
H100205 | **BOLT WH BLK**
(x2) | 5/16x2-1/4



H100198 | **WASHER LOCK EXT BLK**
(x2) | 8x19



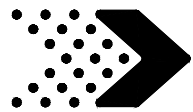
ASSEMBLY TIP:
MOUNT H4 USING THE
T-NUTS INSTALLED ON THE
PREVIOUS STEP.



H4 (x1)
DECK SUPPORT

205 (x2)
BOLT - 2 1/4"

198 (x2)
WASHER - 8x19



Phase 1

STEP 32



H6 (x2) | **TOP RAIL BOARD - W4L12406**
1"x3 3/8"x13 5/8" (24x86x345)



A100340 (x2) | **L BRACKET 2.5x38x50x55**



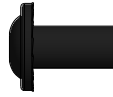
H100197 (x4) | **LAG SCREW WH BLK**
5/16x2 1/2



H100396 (x2) | **BOLT WH BLK**
5/16x1/2



H100468 (x2) | **BOLT WH BLK**
5/16x1



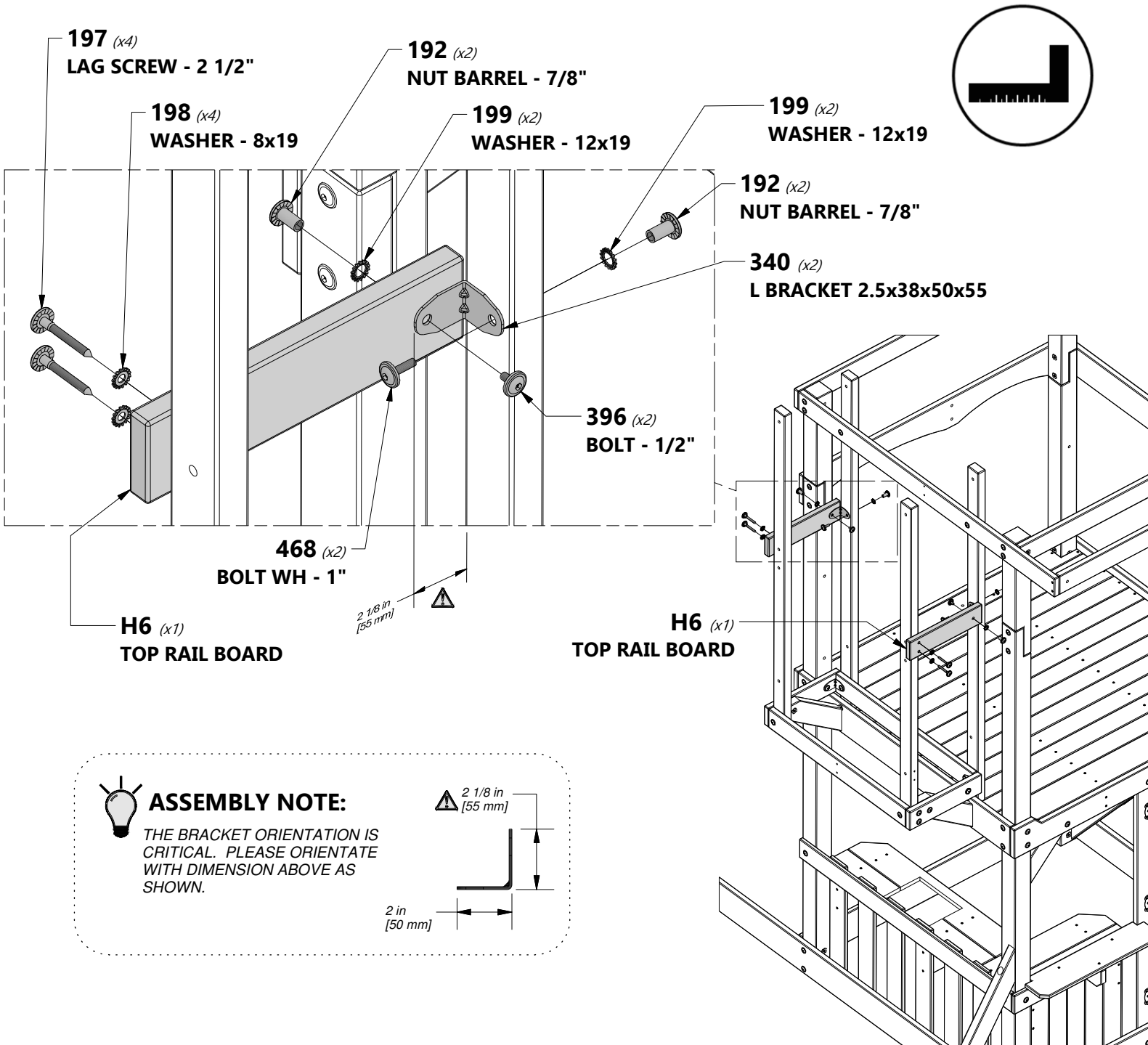
H100192 (x4) | **NUT BARREL WH BLK**
5/16x7/8



H100198 (x4) | **WASHER LOCK EXT BLK**
8x19

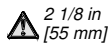


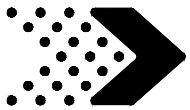
H100199 (x4) | **WASHER LOCK EXT BLK**
12x19



ASSEMBLY NOTE:

THE BRACKET ORIENTATION IS CRITICAL. PLEASE ORIENTATE WITH DIMENSION ABOVE AS SHOWN.





Phase 1

STEP 33



H7 | **TOP RAIL BOARD - W4L12404**
(x1) | 1"x3 3/8"x30 3/8" (24x86x772)



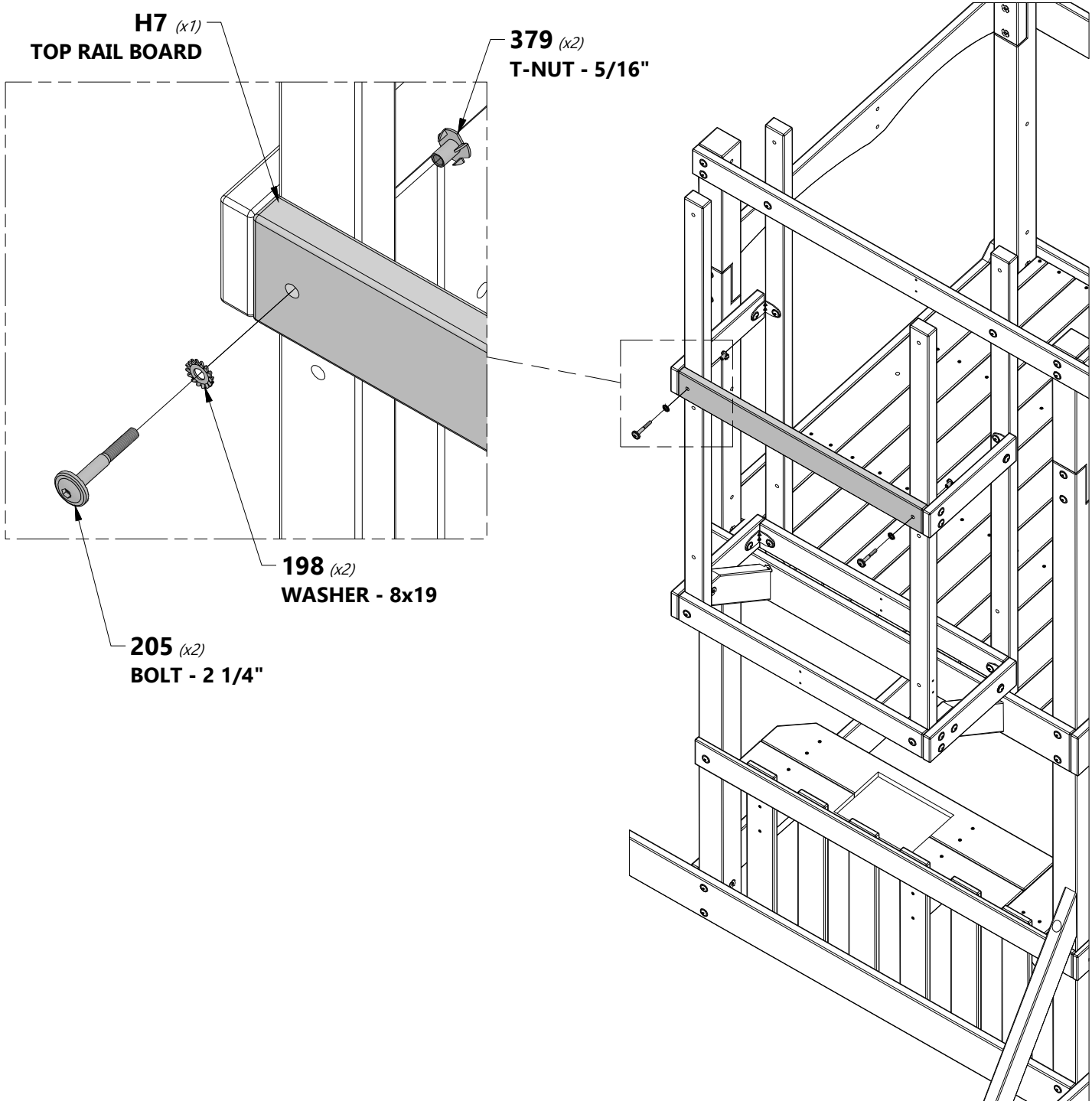
H100205 | **BOLT WH BLK**
(x2) | 5/16x2-1/4

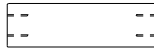
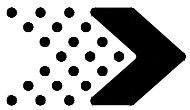


H100198 | **WASHER LOCK EXT BLK**
(x2) | 8x19



H100379 | **T-NUT BLK**
(x2) | 5/16



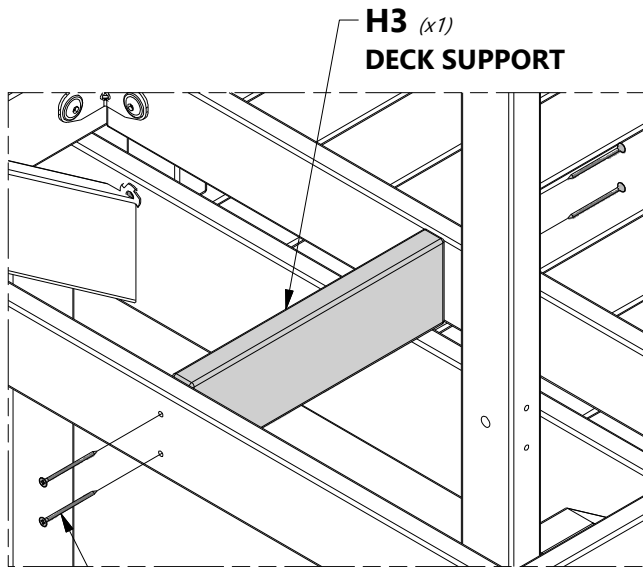


H3 | **DECK SUPPORT - W4L12410**
(x1) | 1"x3 3/8"x11 3/4" (24x86x297)



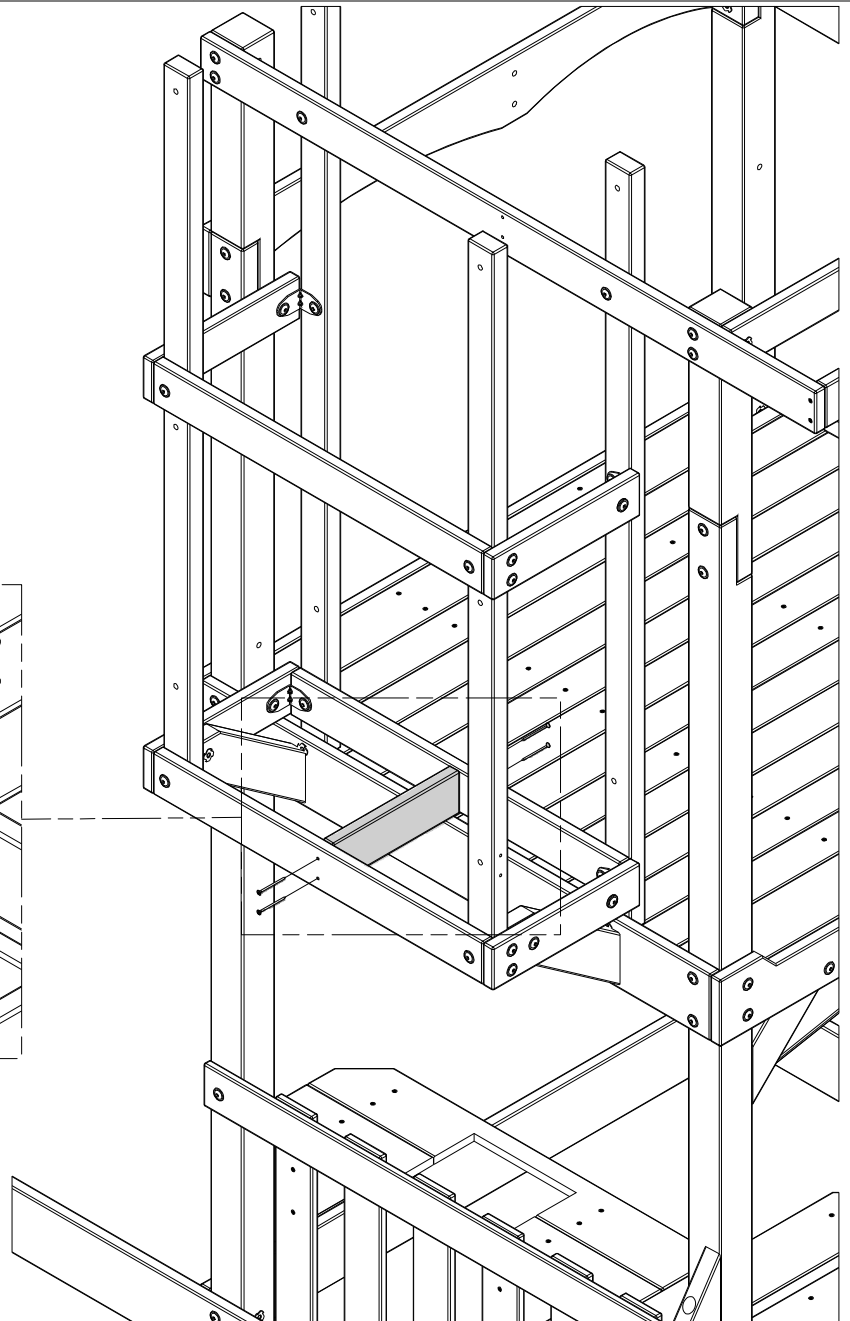
H100201 | **SCREW PFH BLK**
(x4) | 8x2-1/2

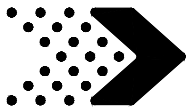
 **ASSEMBLY NOTE:**
USE THE PILOT HOLES IN H3
TO ALIGN AND MOUNT IT.



H3 (x1)
DECK SUPPORT

201 (x4)
SCREW - 2 1/2"





Phase 1

STEP 35

M1 | DECK BOARD - W4L12409
(x1) | 5/8"x3 3/8"x32 1/4" (16x86x820)

M2 | DECK BOARD - W4L12411
(x2) | 5/8"x3 3/8"x32 1/4" (16x86x820)

M3 | DECK BOARD - W4L12412
(x1) | 5/8"x3 3/8"x32 1/4" (16x86x820)

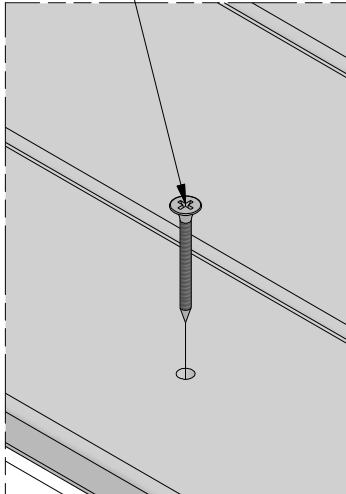
H100200 | SCREW PFH BLK
(x22) | 8x1 1/2



ASSEMBLY NOTE:

USING THE PRE-DRILLED HOLES MOUNT THE FLOOR BOARDS WITH THE PROVIDED SCREWS. MAKE SURE ALL SCREWS LAND IN THE JOISTS BELOW.

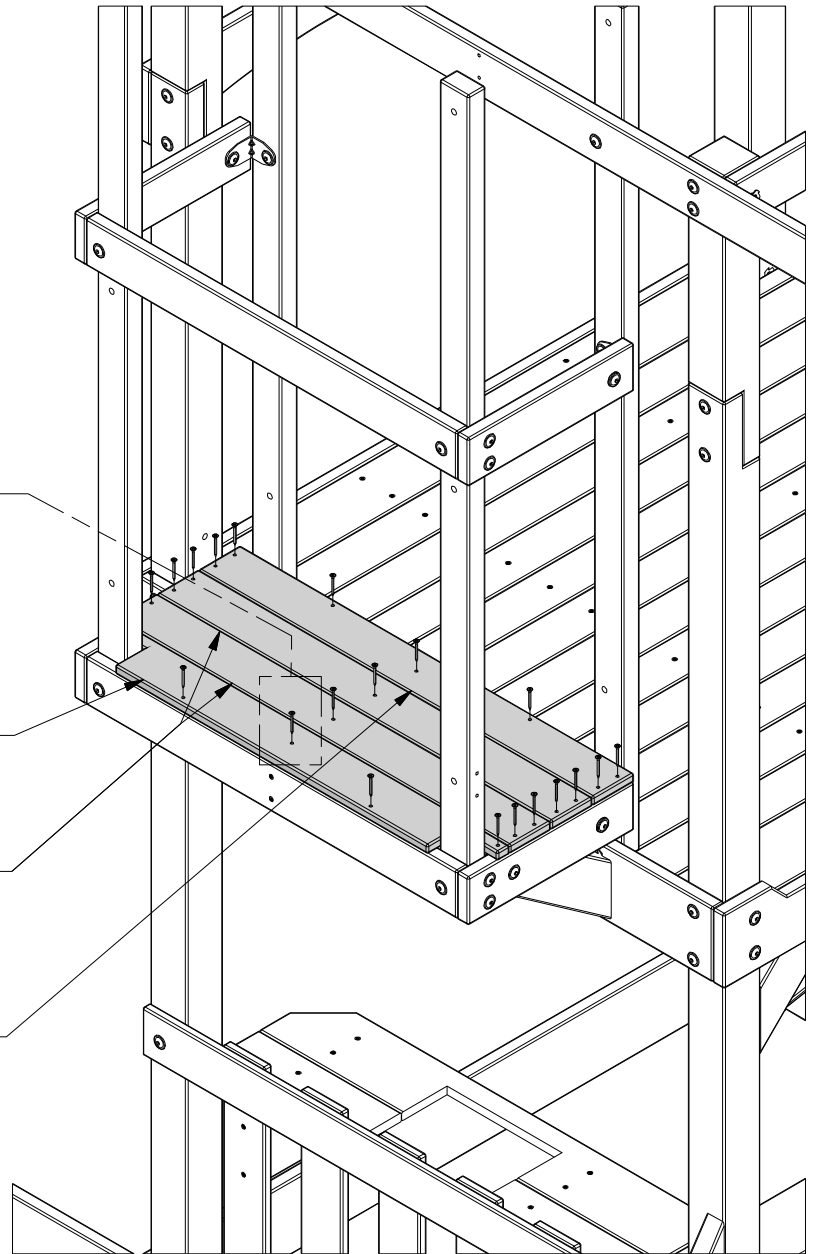
200 (x22)
SCREW - 1 1/2"

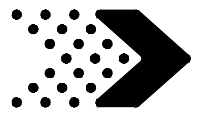


M3 (x1)
DECK BOARD

M2 (x2)
DECK BOARD

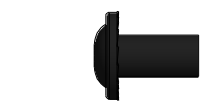
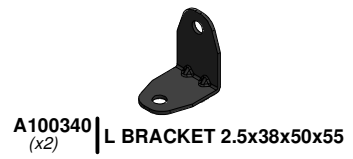
M1 (x1)
DECK BOARD





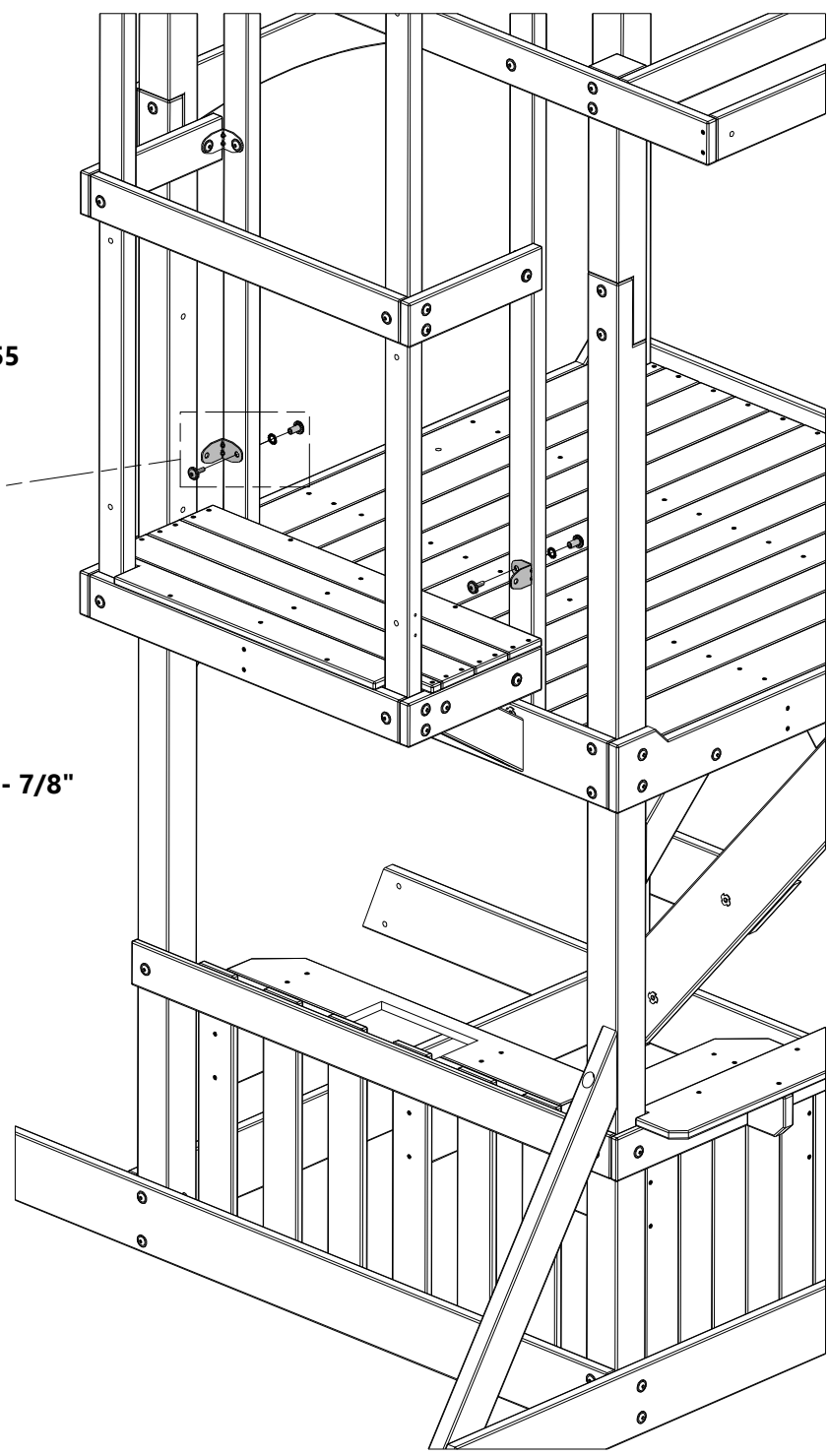
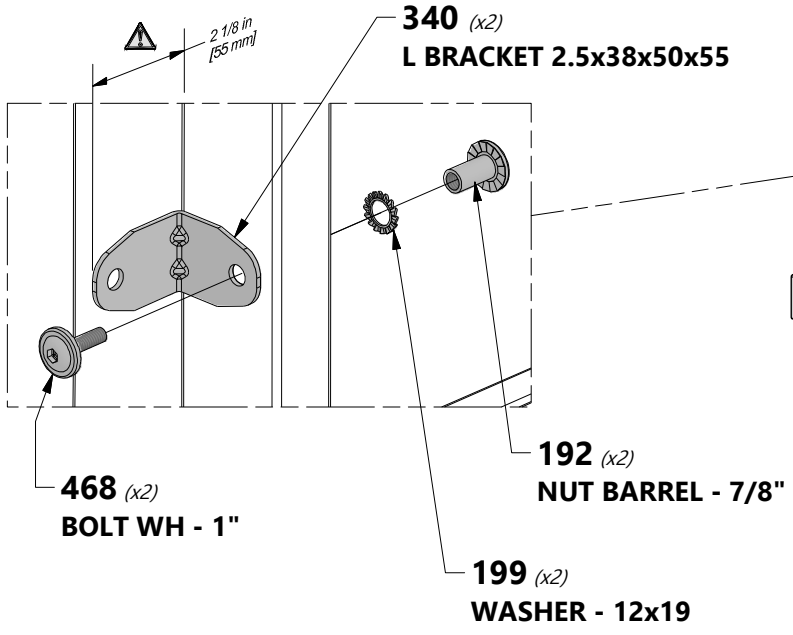
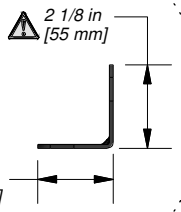
Phase 1

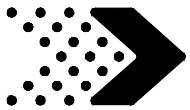
STEP 36



ASSEMBLY NOTE:

THE BRACKET ORIENTATION IS CRITICAL. PLEASE ORIENTATE WITH DIMENSION BELOW AS SHOWN.





Phase 1

STEP 37



H6 | TOP RAIL BOARD - W4L12406
(x2) | 1"x3 3/8"x13 5/8" (24x86x345)



H100197 | LAG SCREW WH BLK
(x4) | 5/16x2 1/2



H100192 | NUT BARREL WH BLK
(x2) | 5/16x7/8



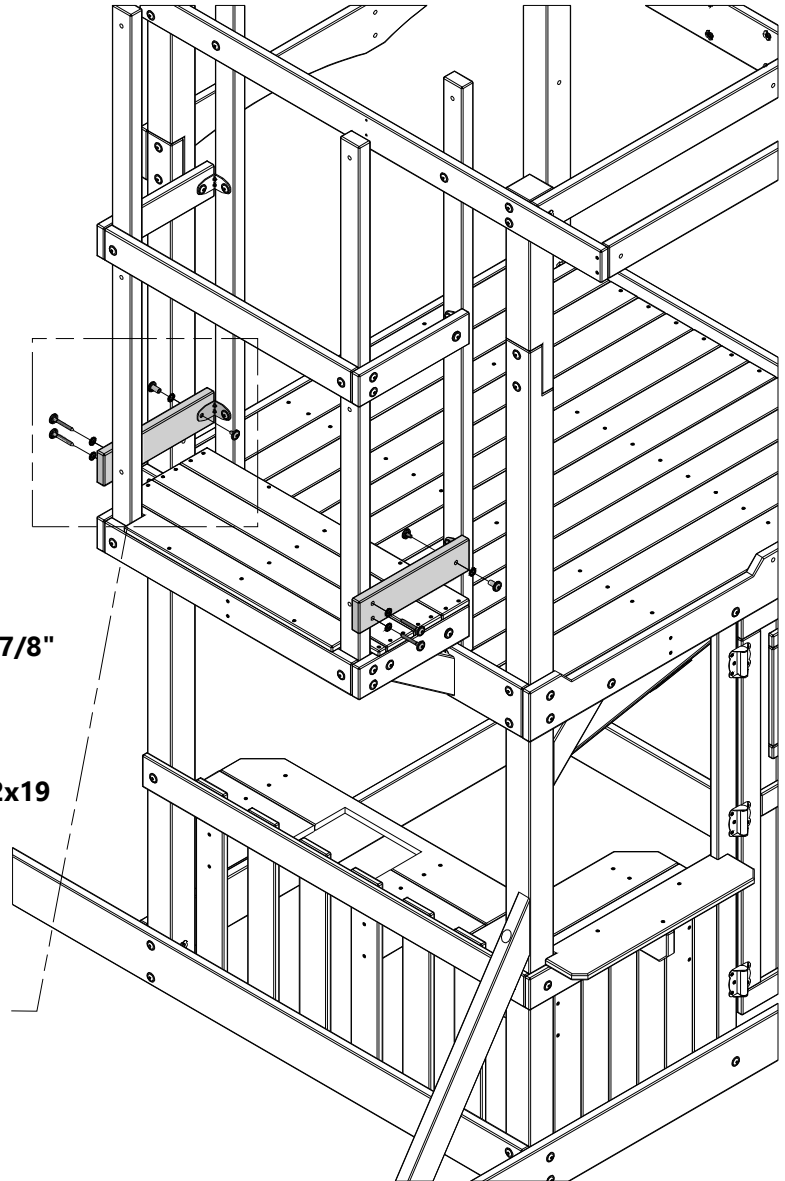
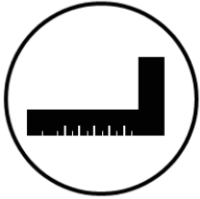
H100396 | BOLT WH BLK
(x2) | 5/16x1/2



H100198 | WASHER LOCK EXT BLK
(x4) | 8x19



H100199 | WASHER LOCK EXT BLK
(x2) | 12x19

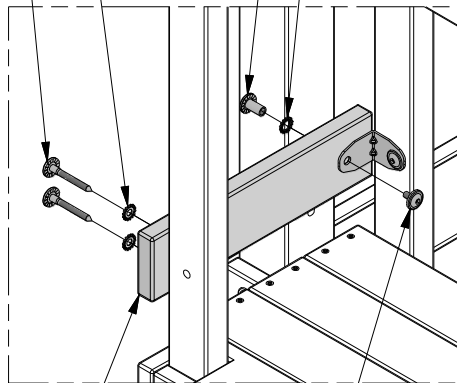


198 (x4)
WASHER - 8x19

192 (x2)
NUT BARREL - 7/8"

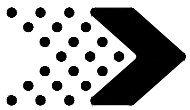
197 (x4)
LAG SCREW - 2 1/2"

199 (x2)
WASHER - 12x19



H6 (x2)
TOP RAIL BOARD

396 (x2)
BOLT - 1/2"



Phase 1

STEP 38



J4 | SLIDE ATTACHMENT BOARD - W4L12407
(x2) | 1"x2 3/8"x27 5/8" (24x60x703)



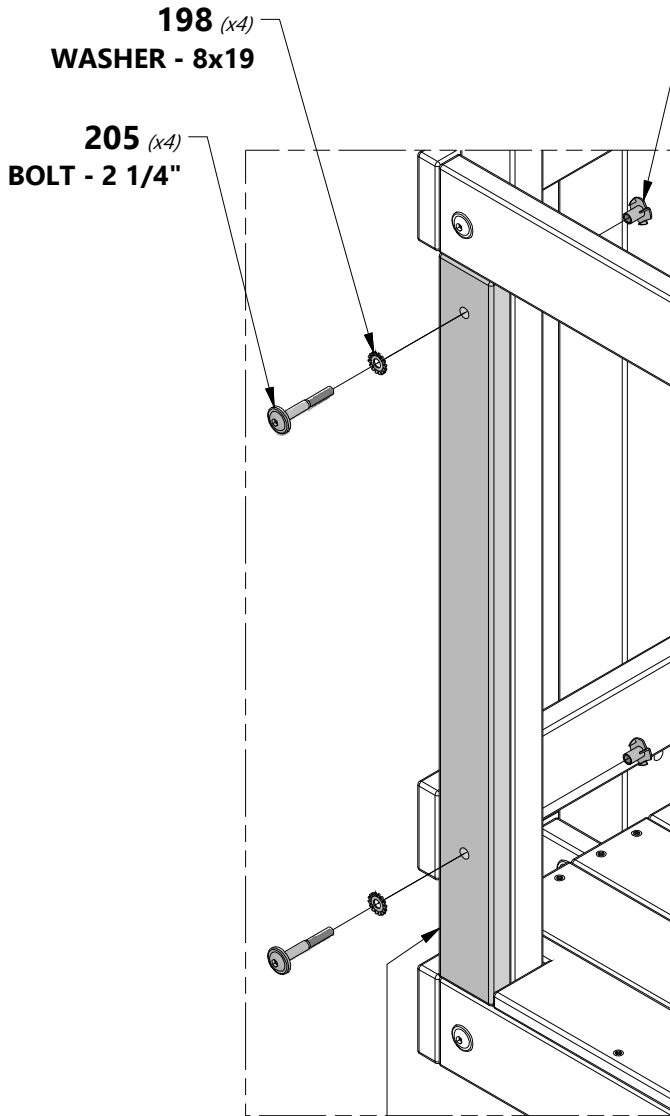
H100205 | BOLT WH BLK
(x4) | 5/16x2-1/4



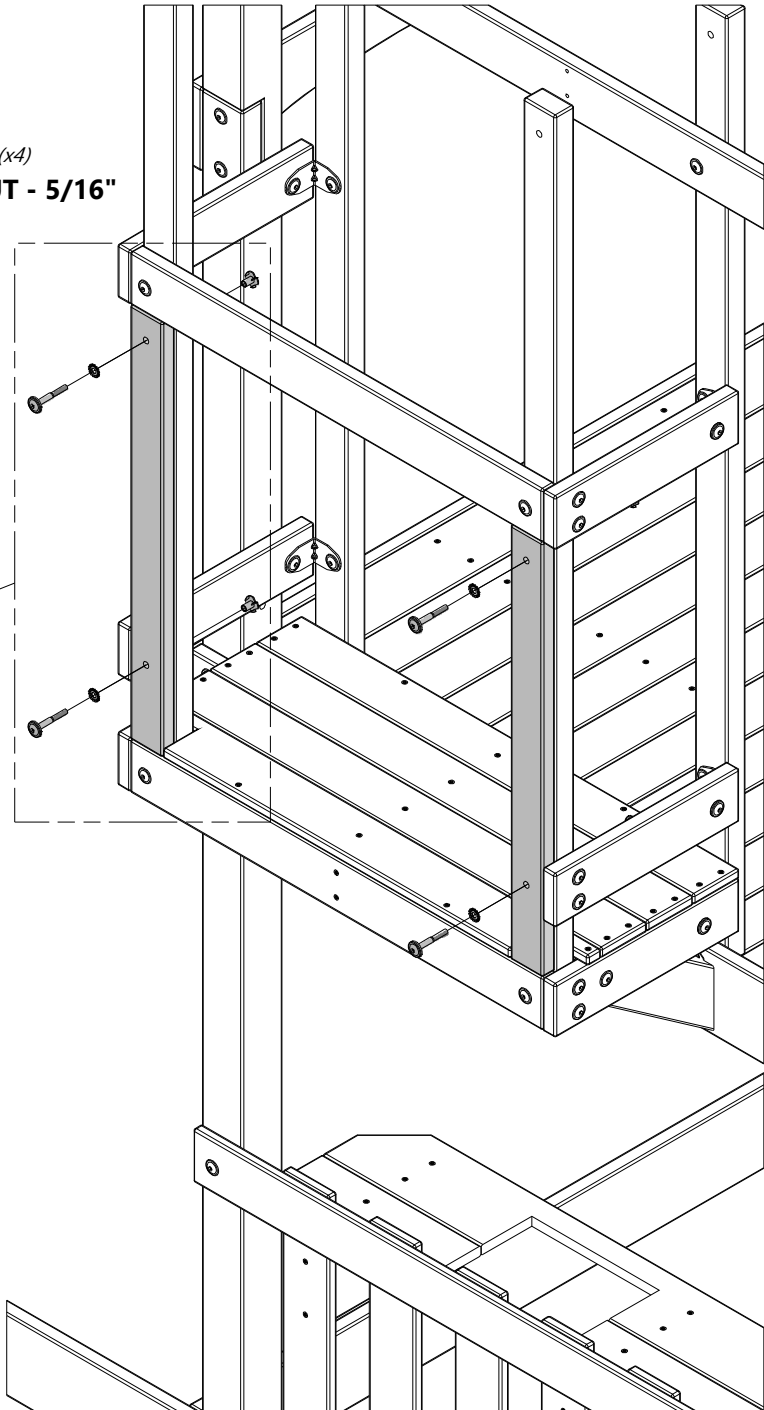
H100198 | WASHER LOCK EXT BLK
(x4) | 8x19



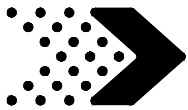
H100379 | T-NUT BLK
(x4) | 5/16



379 (x4)
T-NUT - 5/16"

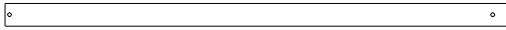


J4 (x2)
SLIDE ATTACHMENT BOARD



Phase 1

STEP 39



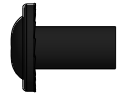
J2 | WALL UPRIGHT - W4L12302
(x1) | 1"x2 3/8"x52 1/2" (24x60x1334)



H100378 | BOLT WH BLK
(x1) | 5/16x1 3/4



H100407 | BOLT WH BLK
(x1) | 5/16x1 1/2



H100192 | NUT BARREL WH BLK
(x1) | 5/16x7/8



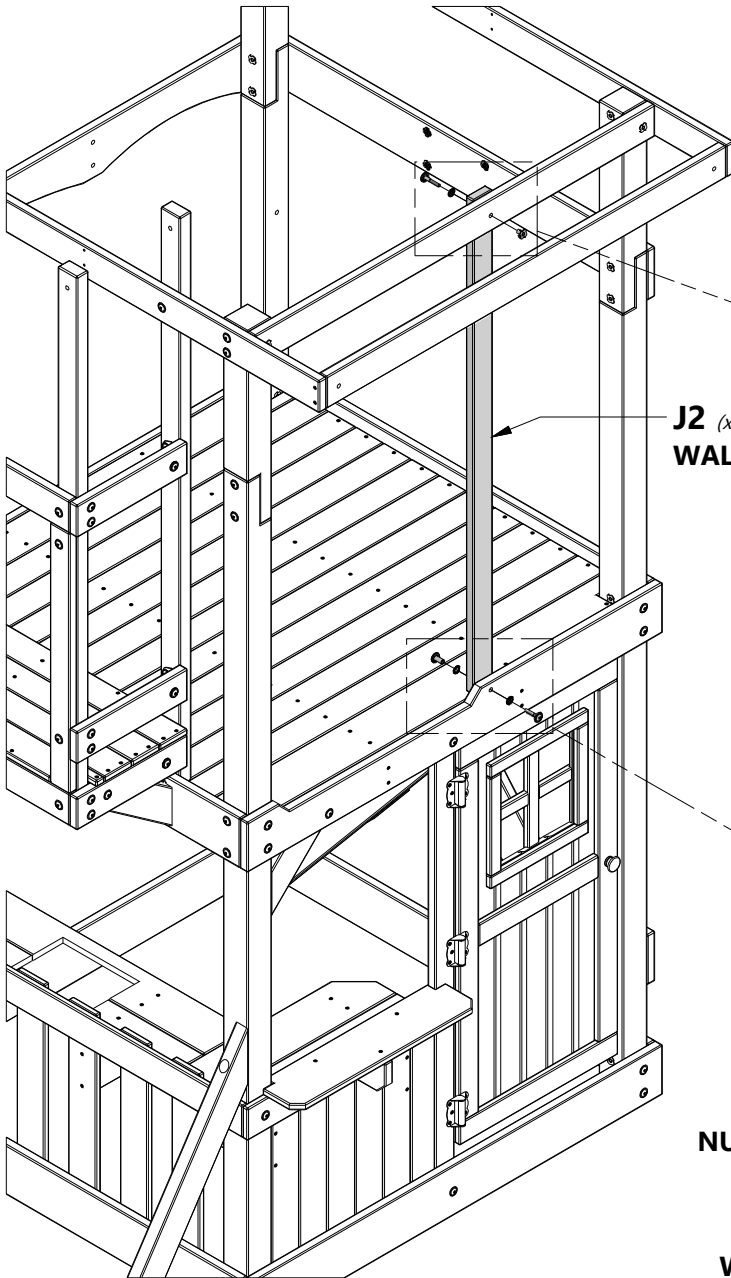
H100198 | WASHER LOCK EXT BLK
(x2) | 8x19



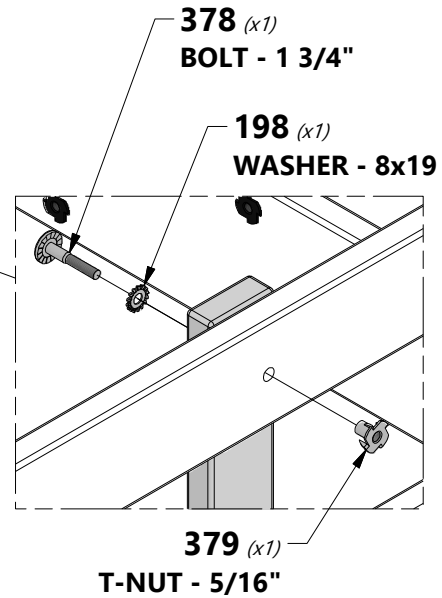
H100379 | T-NUT BLK
(x1) | 5/16



H100199 | WASHER LOCK EXT BLK
(x1) | 12x19



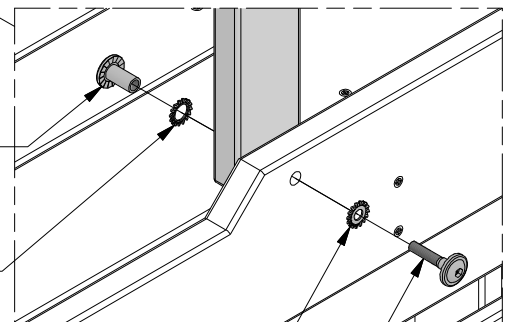
J2 (x1)
WALL UPRIGHT



378 (x1)
BOLT - 1 3/4"

198 (x1)
WASHER - 8x19

379 (x1)
T-NUT - 5/16"

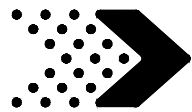


192 (x1)
NUT BARREL - 7/8"

199 (x1)
WASHER - 12x19

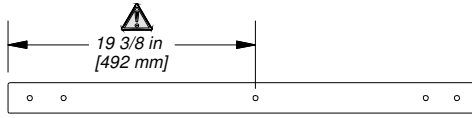
198 (x1)
WASHER - 8x19

407 (x1)
BOLT - 1 1/2"



Phase 1

STEP 40



J3 | WALL UPRIGHT - W4L12396
(x1) | 1"x2 3/8"x36 1/2" (24x60x927)



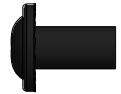
A100340 | L BRACKET 2.5x38x50x55
(x1)



H100378 | BOLT WH BLK
(x2) | 5/16x1 3/4



H100396 | BOLT WH BLK
(x2) | 5/16x1/2



H100192 | NUT BARREL WH BLK
(x1) | 5/16x7/8



H100198 | WASHER LOCK EXT BLK
(x2) | 8x19



H100379 | T-NUT BLK
(x3) | 5/16

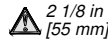


H100199 | WASHER LOCK EXT BLK
(x1) | 12x19

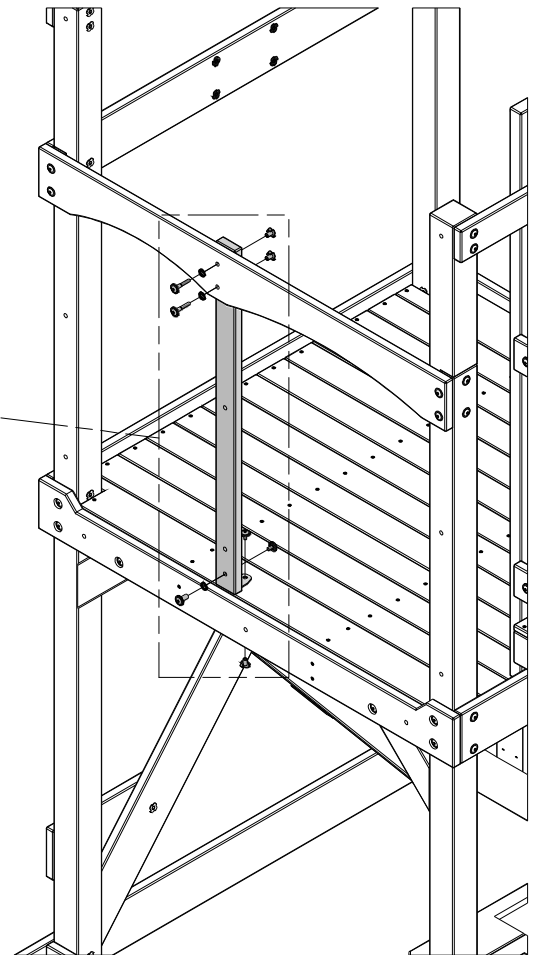
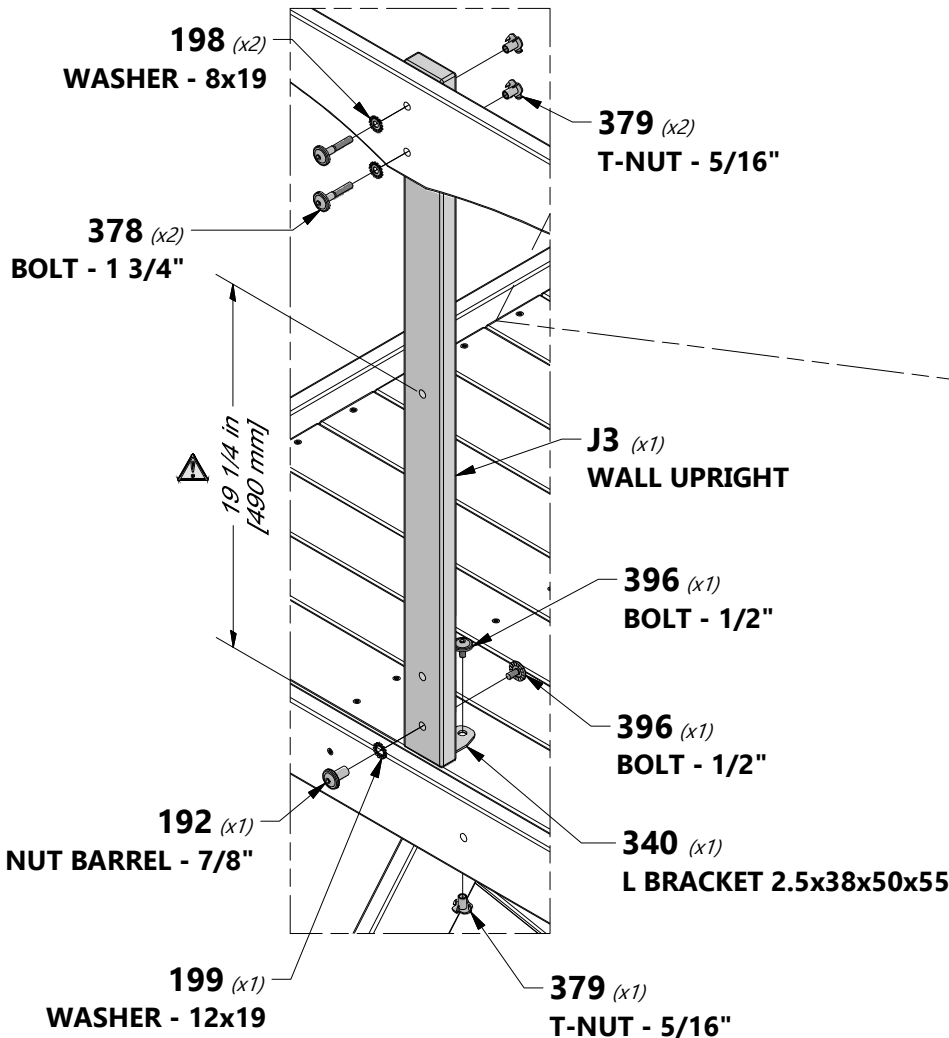
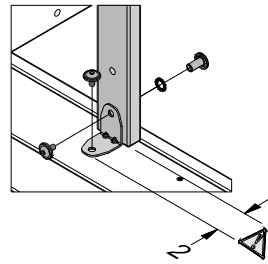


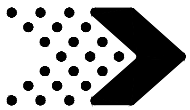
ASSEMBLY TIP:

THE BRACKET ORIENTATION IS CRITICAL. PLEASE ORIENTATE WITH DIMENSION BELOW AS SHOWN.



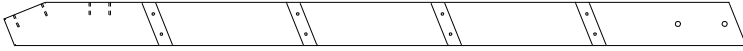
REAR VIEW





Phase 2

STEP 1

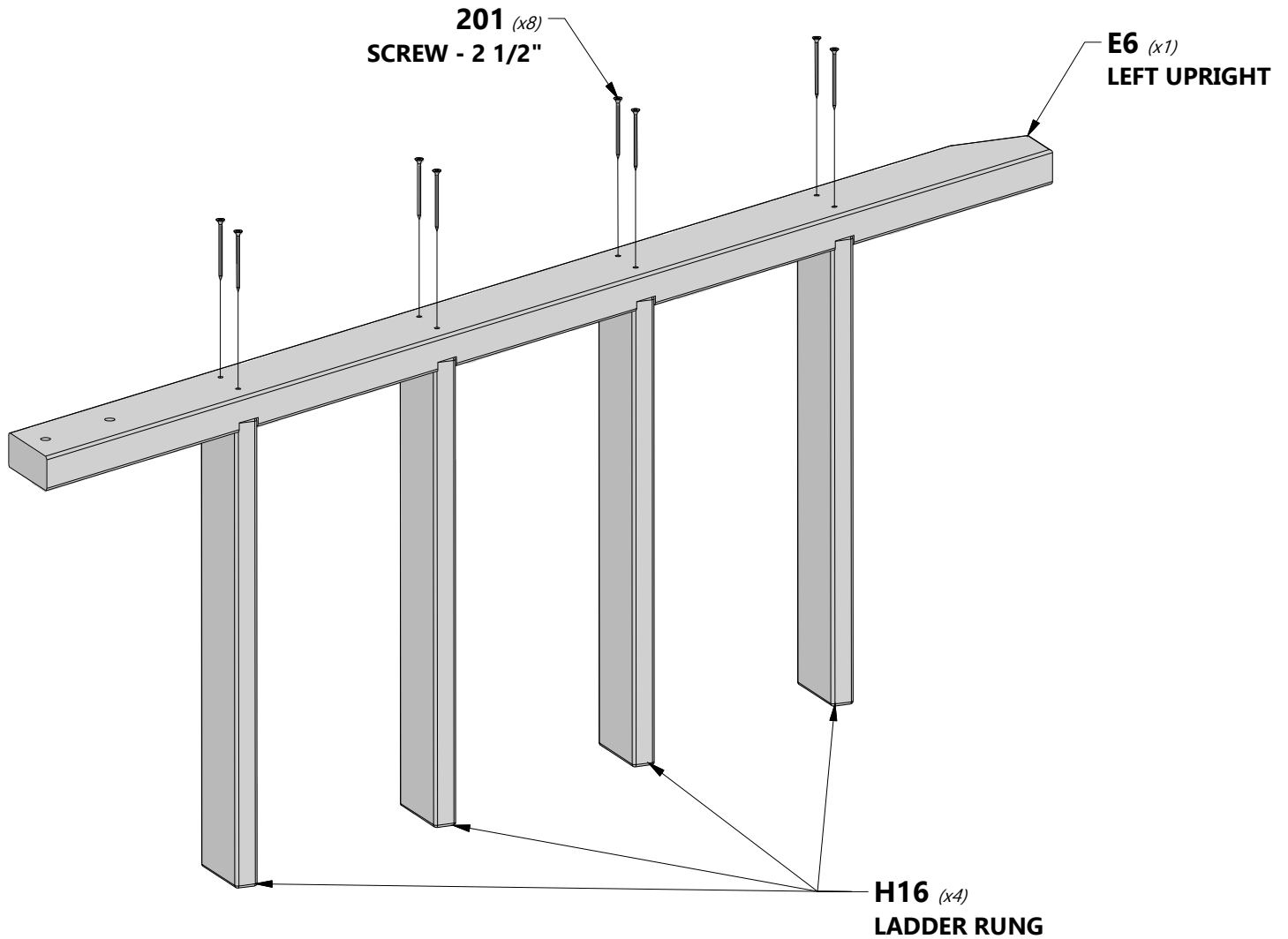


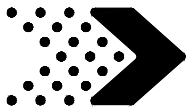
E6 | LEFT UPRIGHT - W4L12490
(x1) | 1 3/8"x3 3/8"x58" (36x86x1474)



H16 | LADDER RUNG - W4L12492
(x4) | 1"x3 3/8"x19 1/4" (24x86x489)

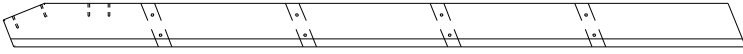
H100201 | SCREW PFH BLK
(x8) | 8x2-1/2





Phase 2

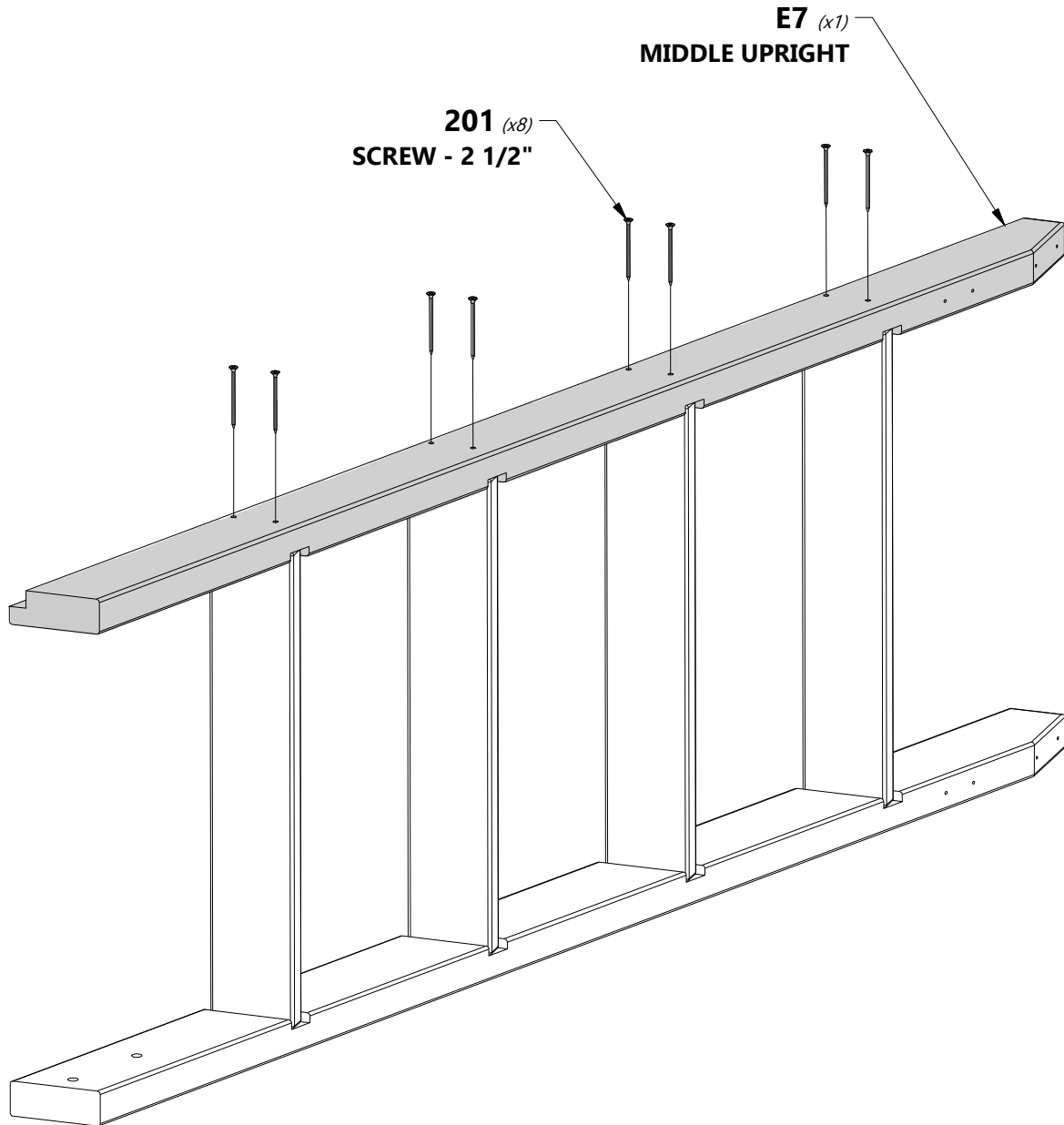
STEP 2

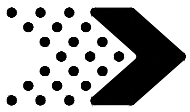


E7 | **MIDDLE UPRIGHT - W4L12491**
(x1) | 1 3/8"x3 3/8"x58" (36x86x1474)



H100201 | **SCREW PFH BLK**
(x8) | 8x2-1/2





Phase 2

STEP 3

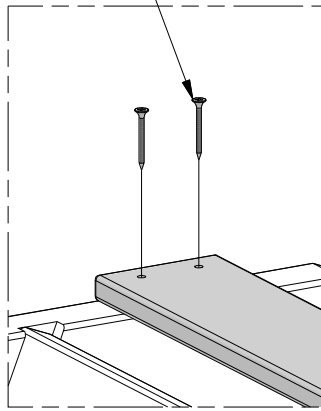


M12 | **REAR SUPPORT - W4L12493**
(x1) | *5/8"x3 3/8"x21 1/4" (16x86x541)*

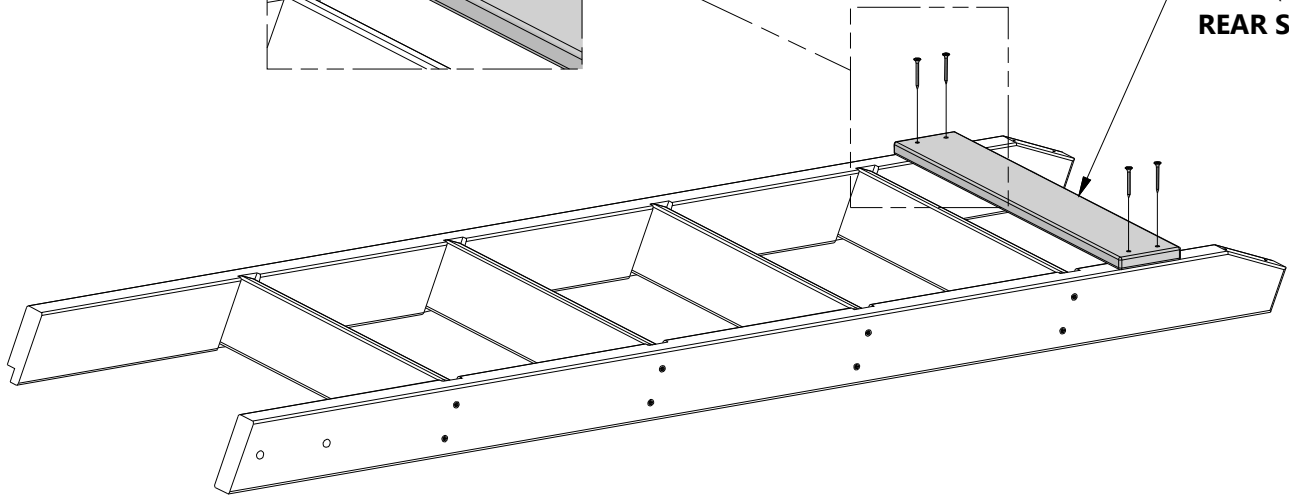


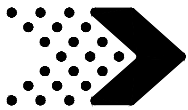
H100200 | **SCREW PFH BLK**
(x4) | *8x1 1/2*

200 *(x4)*
SCREW - 1 1/2"



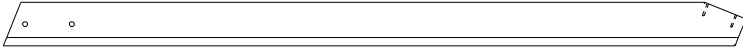
M12 *(x1)*
REAR SUPPORT





Phase 2

STEP 4



E8 | **RIGHT UPRIGHT - W4L12495**
(x1) | 1 3/8"x3 3/8"x58" (36x86x1474)




Y2 | **ATTACHMENT BOARD - W4L12494**
(x1) | 5/8"x4"x49 1/8" (16x102x1248)

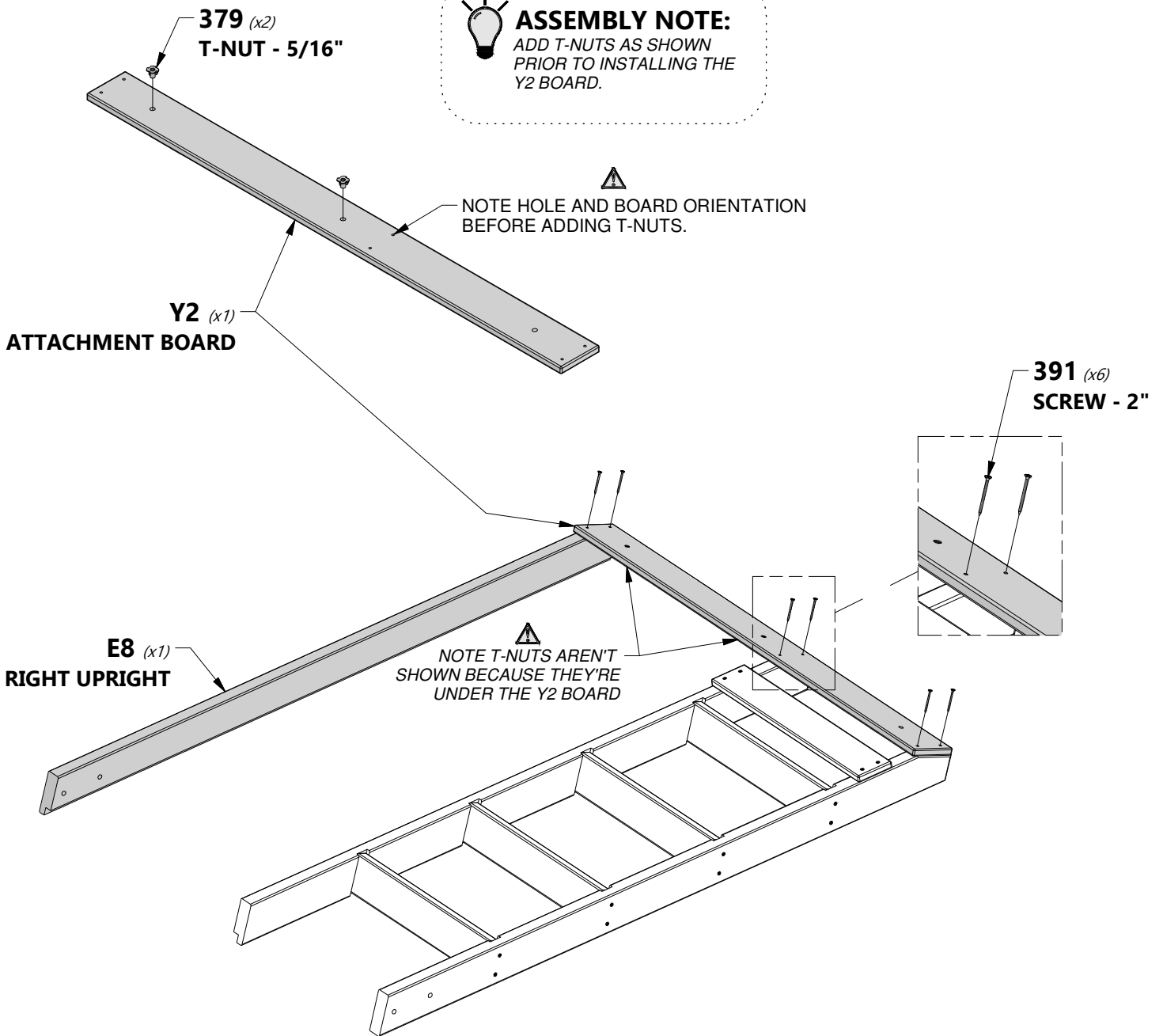


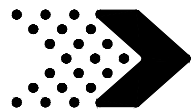
H100391 | **SCREW PFH BLK**
(x6) | 8x2



H100379 | **T-NUT BLK**
(x2) | 5/16

 **ASSEMBLY NOTE:**
ADD T-NUTS AS SHOWN
PRIOR TO INSTALLING THE
Y2 BOARD.



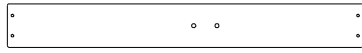


Phase 2

STEP 5



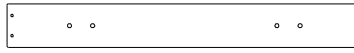
N4 | ROCK BOARD - W4L12499
(x1) | 5/8"x2 3/8"x27 3/4" (16x60x706)



M14 | ROCK BOARD - W4L12497
(x4) | 5/8"x3 3/8"x27 3/4" (16x86x706)



M13 | ROCK BOARD - W4L12496
(x8) | 5/8"x3 3/8"x27 3/4" (16x86x706)



M15 | ROCK BOARD - W4L12498
(x4) | 5/8"x3 3/8"x27 3/4" (16x86x706)

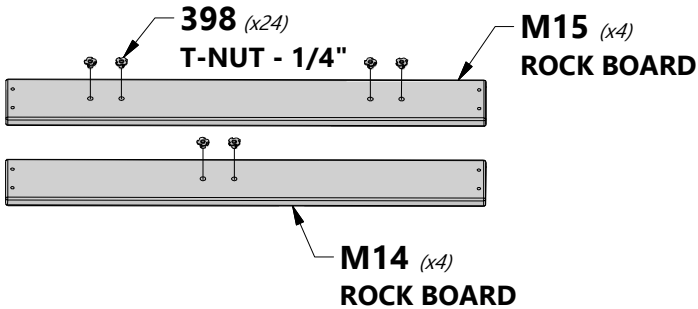


H100398 | T-NUT BLK
(x24) | 1/4"



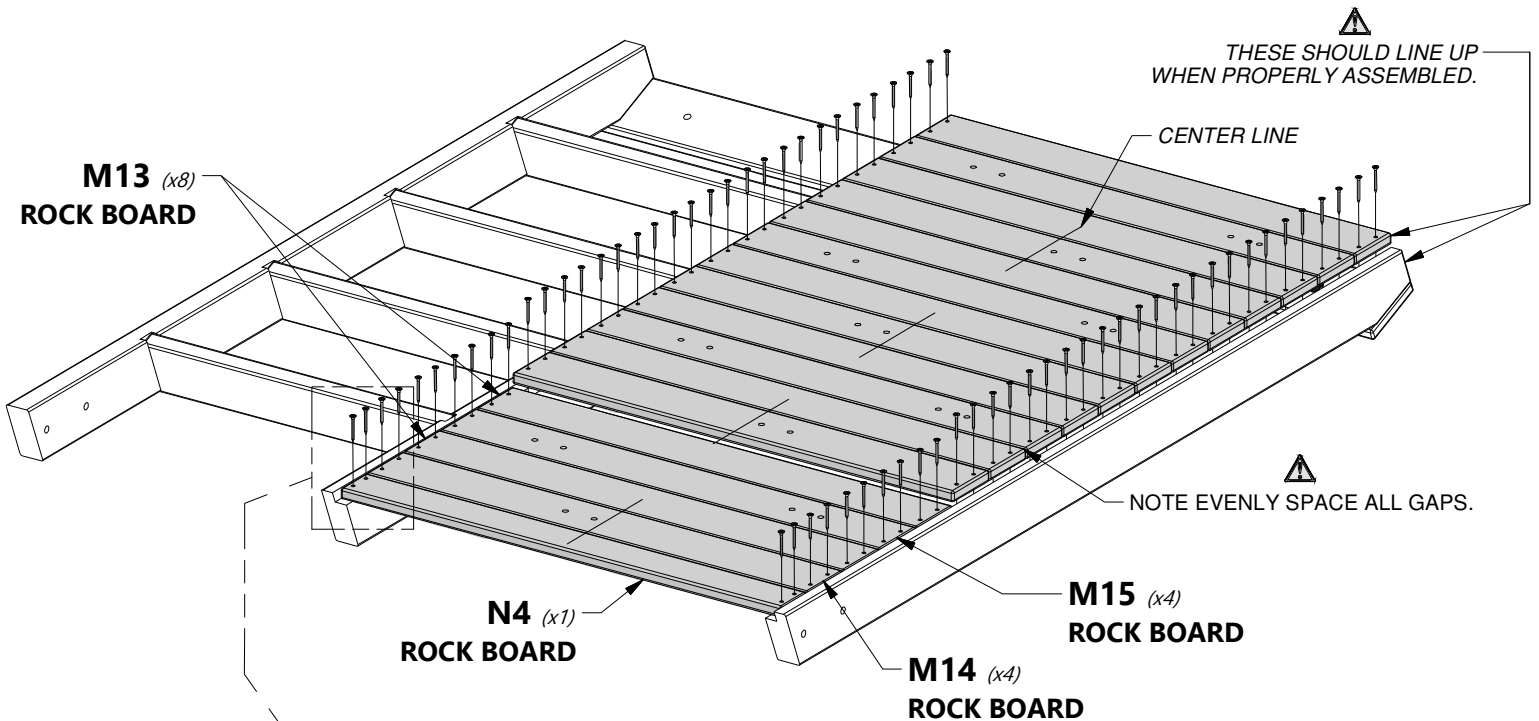
H100200 | SCREW PFH BLK
(x68) | 8x1 1/2"

PREPARATION: INSTALL T-NUTS

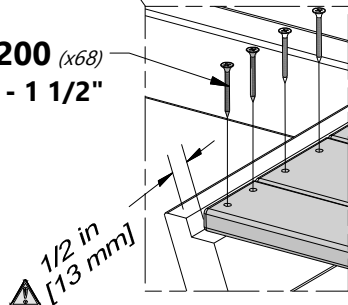


ASSEMBLY NOTE:

USE THE FOLLOWING REPEATING PATTERN TO BUILD THE ROCKWALL. BEGINNING AT THE TOP THE PATTERN IS M13, M15, M13, M14. REPEAT 4 TIMES AND END WITH N4 BOARD. MAKE SURE TO PLACE EACH M14 BOARD SO THE HOLES ALTERNATE RIGHT TO LEFT OF CENTER.

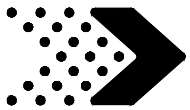


200 (x68)
SCREW - 1 1/2"



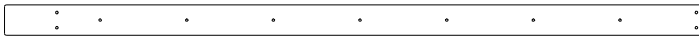
ASSEMBLY TIP:

IT CAN HELP TO SET ALL THE BOARDS IN PLACE TO MAKE SURE THEY MATCH THE DIAGRAM PRIOR TO MOUNTING THEM WITH THE PROVIDED SCREWS.



Phase 2

STEP 6



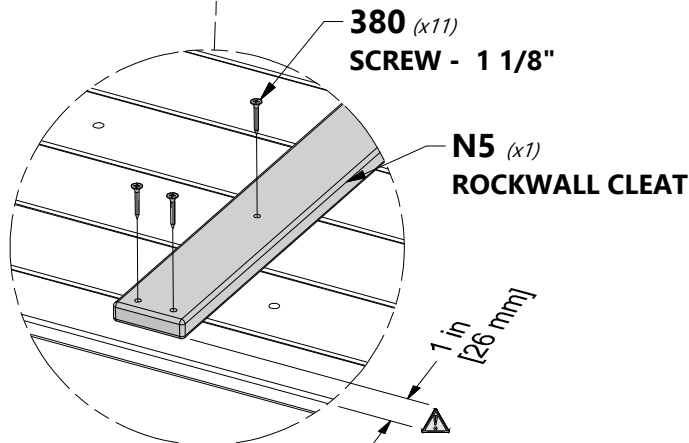
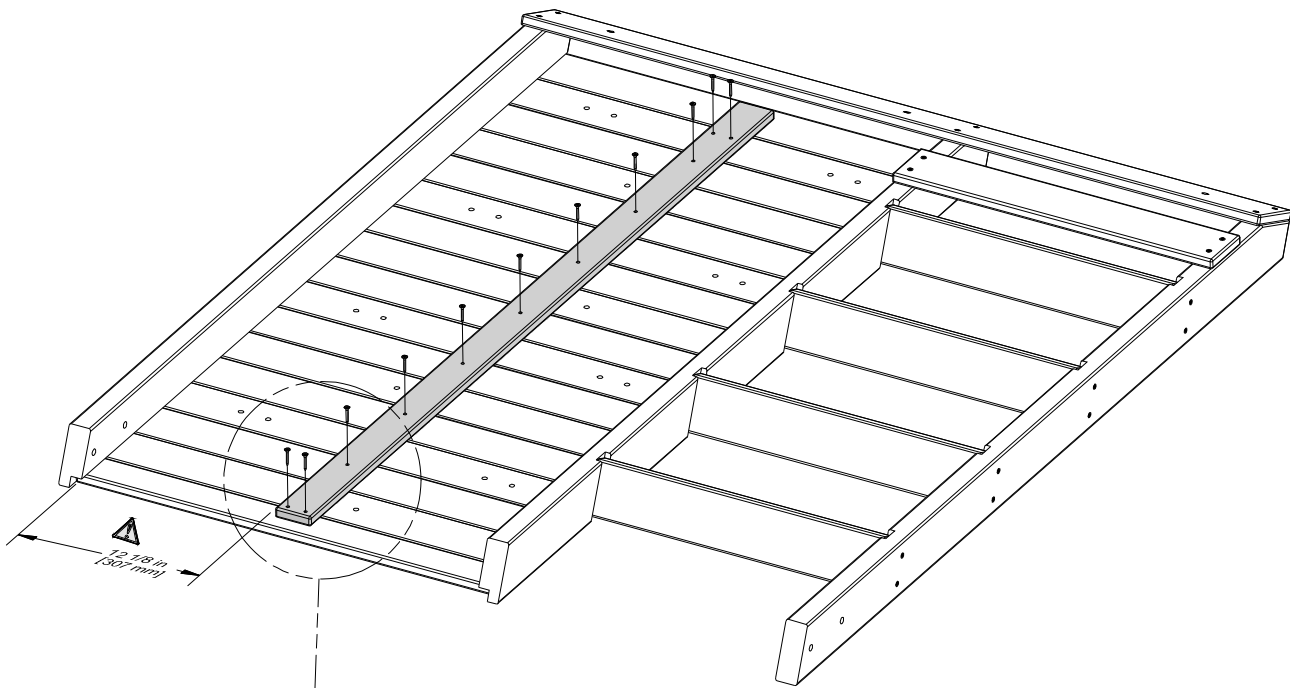
N5 | **ROCKWALL CLEAT - W4L12965**
(x1) | 5/8"x2 3/8"x54 1/2" (16x60x1385)

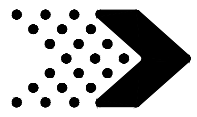


H100380 | **SCREW PFH BLK**
(x11) | 8x1 1/8



ASSEMBLY TIP:
PLACE AND CENTER N5
BOARD AS SHOWN.



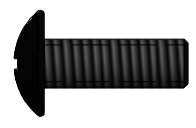


Phase 2

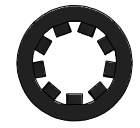
STEP 7



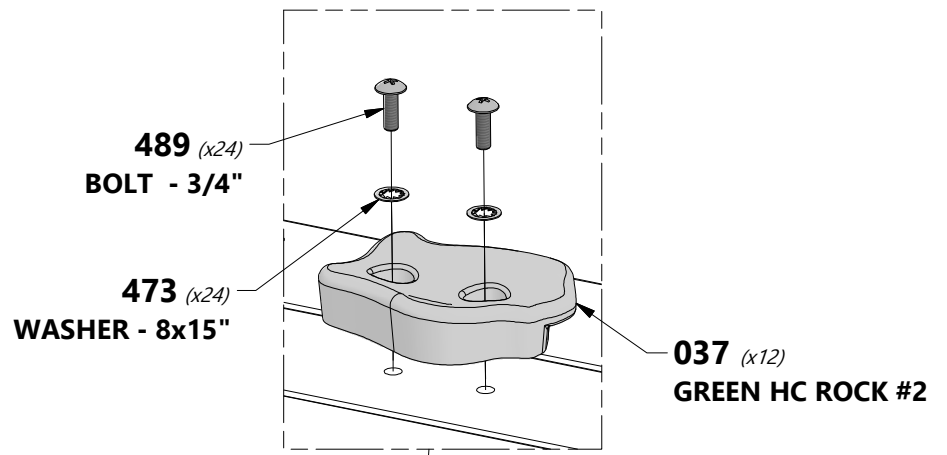
A6P00037 | GREEN HC ROCK #2
(x12)



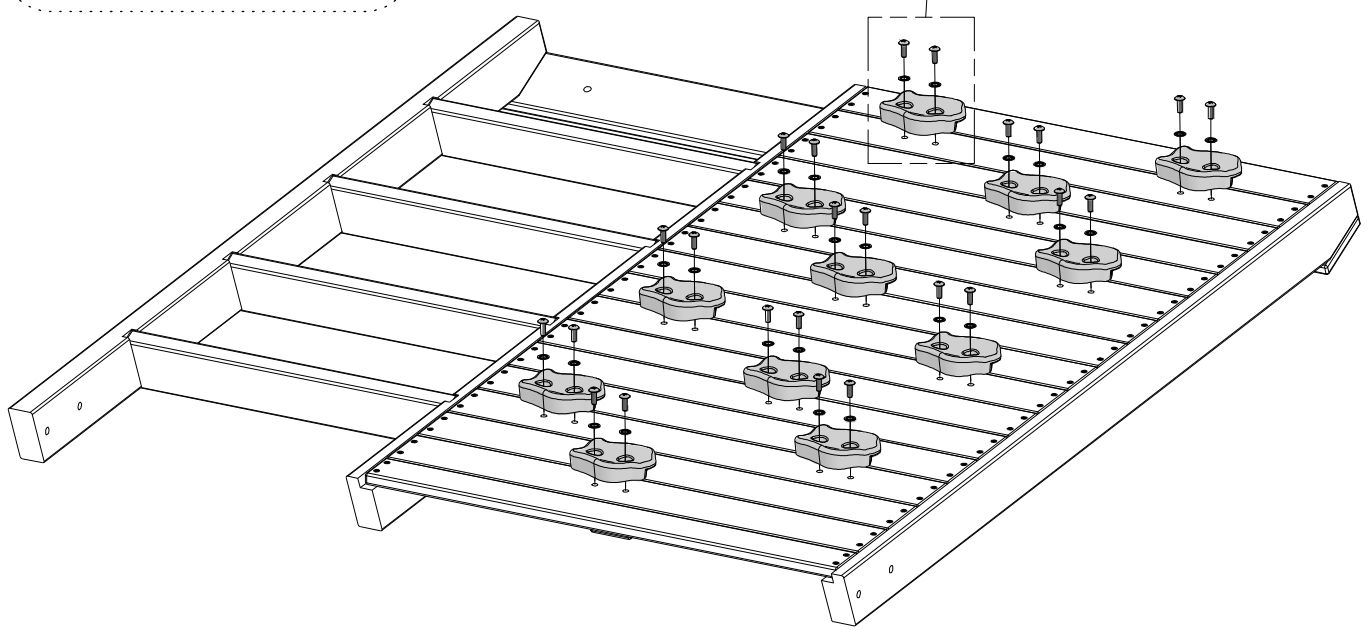
H100489 | BOLT PTH BLK
(x24) | 1/4x3/4

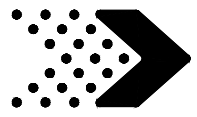


H100473 | WASHER LOCK INT BLK
(x24) | 8x15



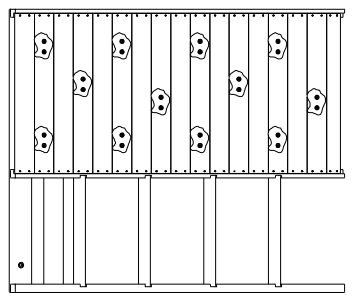
ASSEMBLY TIP:
INSTALL ROCKS USING THE SHOWN HARDWARE WITH THE T-NUTS THAT WERE PRE-INSTALLED FROM STEP 5 OF THIS PHASE.





Phase 2

STEP 8



ROCK WALL ASSEMBLY FROM THE PREVIOUS STEP



H100205 | BOLT WH BLK (x4) | 5/16x2-1/4



H100198 | WASHER LOCK EXT BLK (x7) | 8x19



H100379 | T-NUT BLK (x4) | 5/16



H100468 | BOLT WH BLK (x1) | 5/16x1

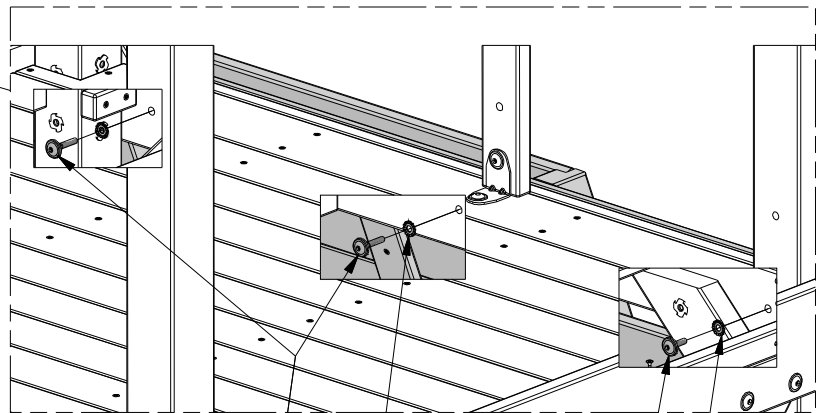
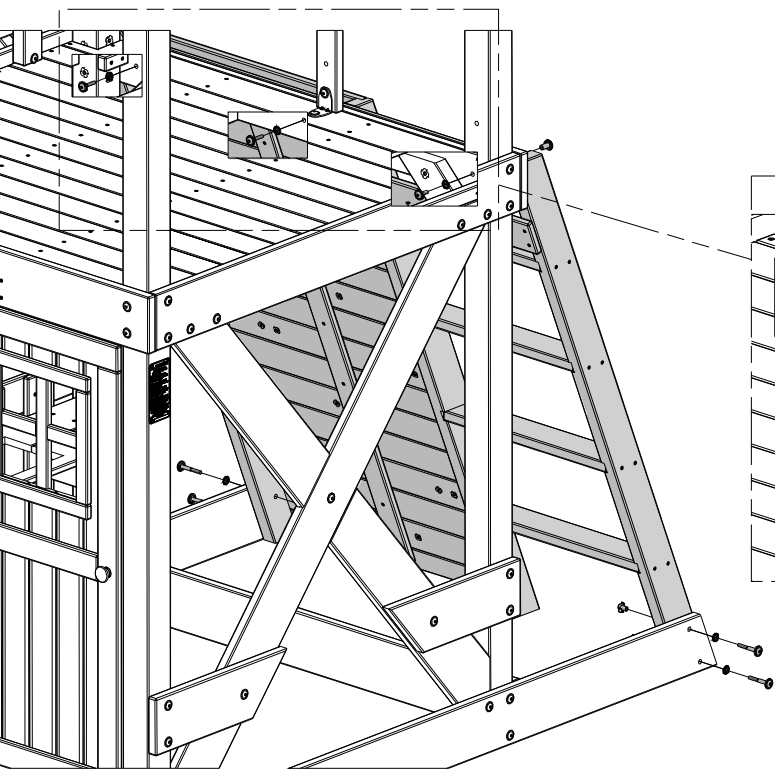
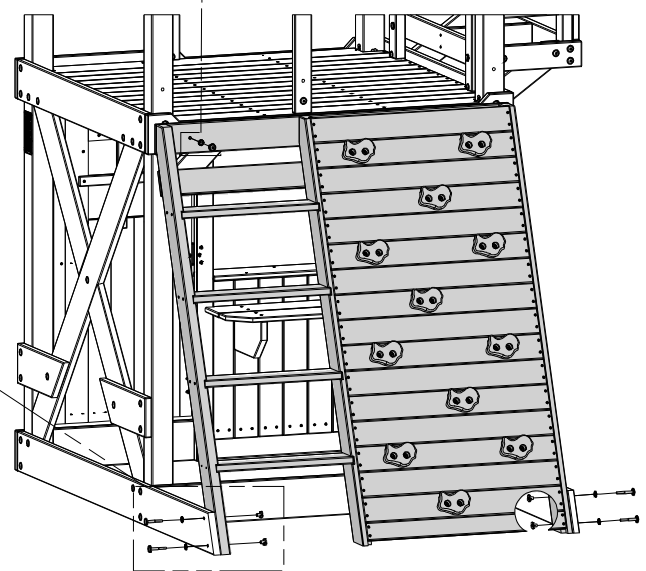
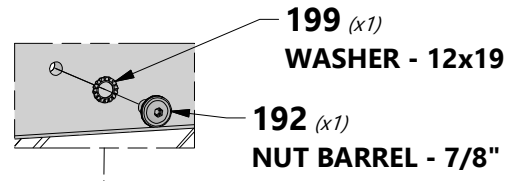
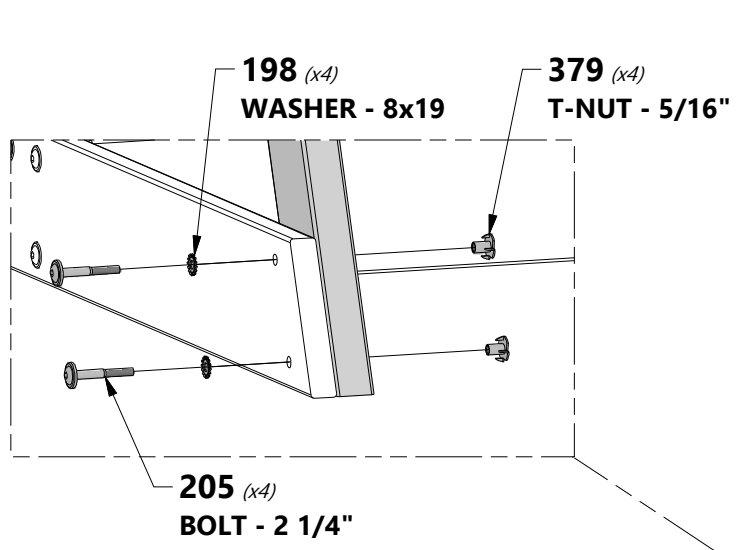


H100199 | WASHER LOCK EXT BLK (x1) | 12x19



H100192 | NUT BARREL WH BLK (x1) | 5/16x7/8

H100407 | BOLT WH BLK (x2) | 5/16x1 1/2

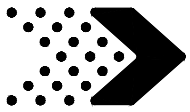


407 (x2) BOLT - 1 1/2"

468 (x1) BOLT WH - 1"

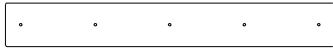
198 (x2) WASHER - 8x19

198 (x1) WASHER - 8x19



Phase 3

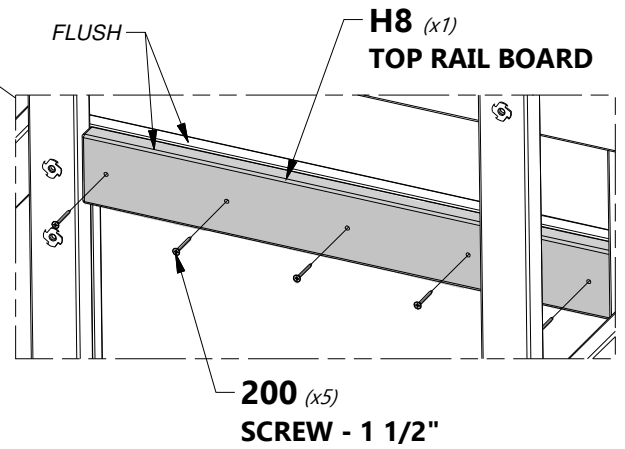
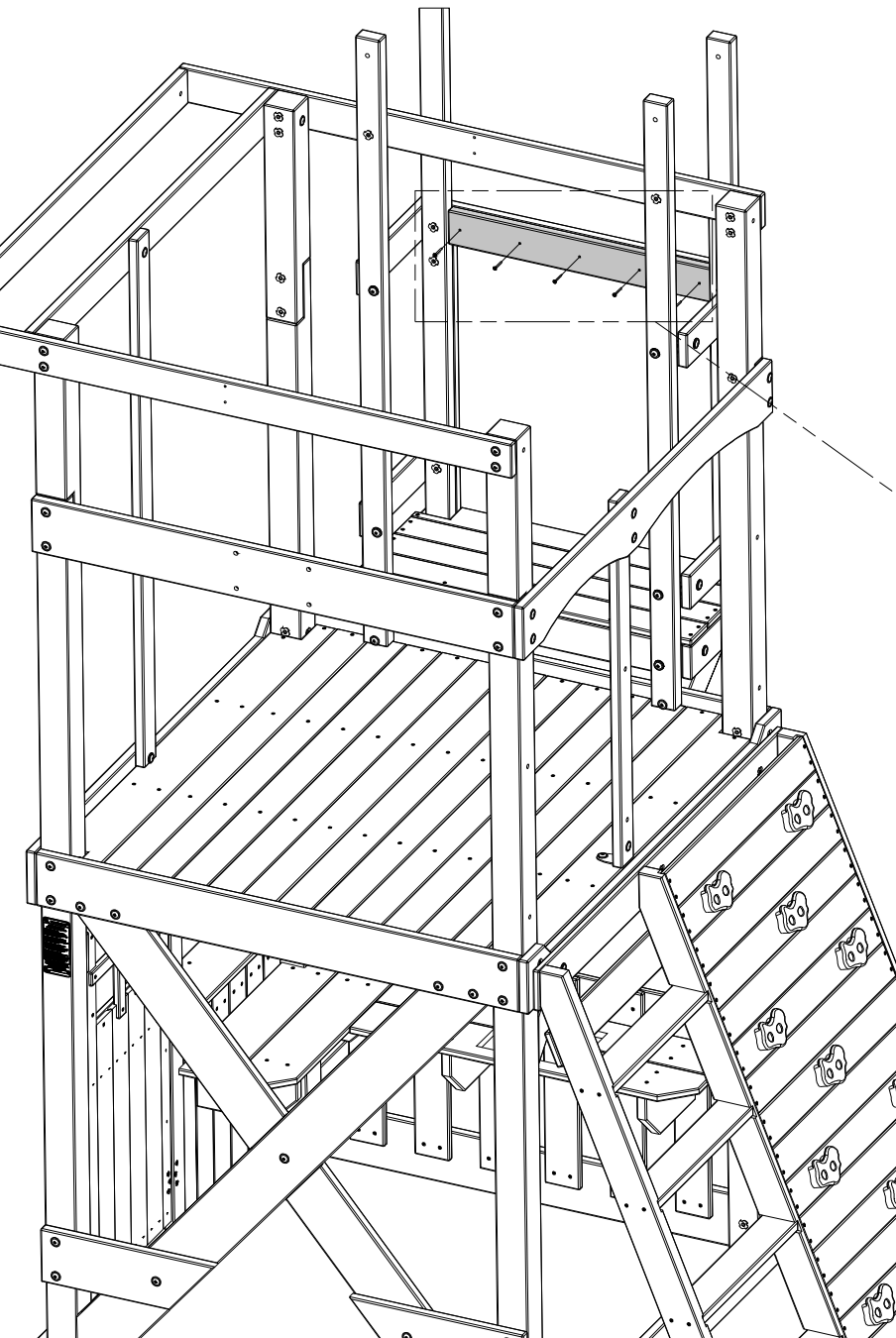
STEP 1

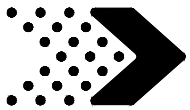


H8 | **TOP RAIL BOARD - W4L12417**
(x1) | 1"x3 3/8"x25 5/8" (24x86x652)



H100200 | **SCREW PFH BLK**
(x5) | 8x1 1/2





Phase 3

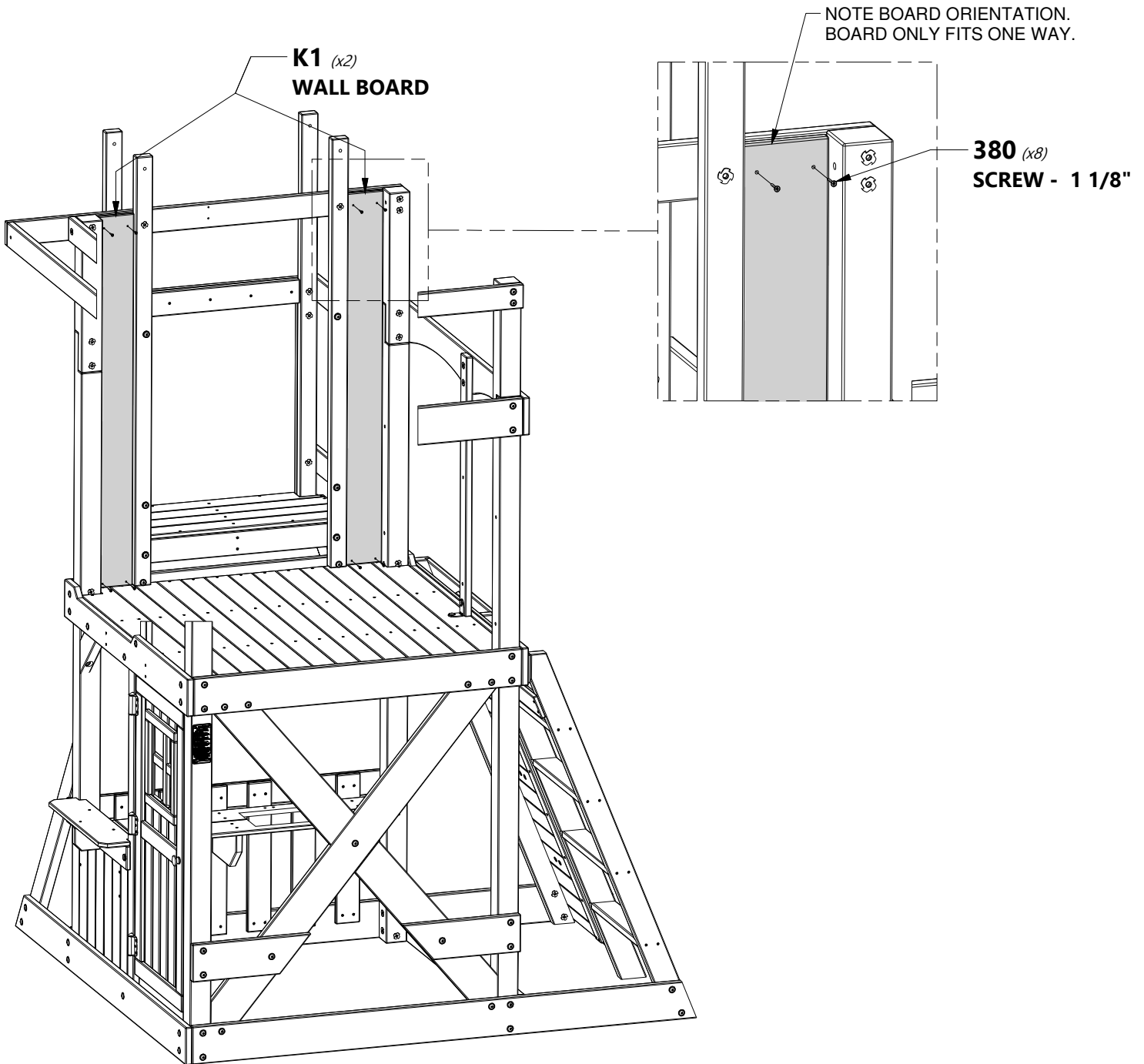
STEP 2

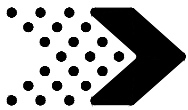


K1 | **WALL BOARD - W4L12399**
(x2) | 5/8"x5 1/4"x52 3/8" (16x134x1329)



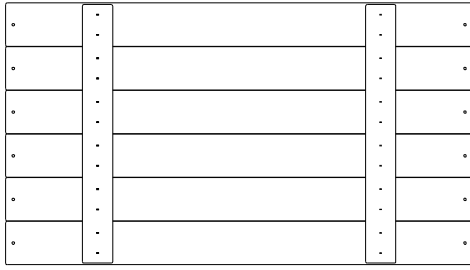
H100380 | **SCREW PFH BLK**
(x8) | 8x1 1/8





Phase 3

STEP 3



WP2 | WALL PANEL - W2A02751
(x2) | 1 1/16"x20 7/16"x36 1/2" (27x519x927)

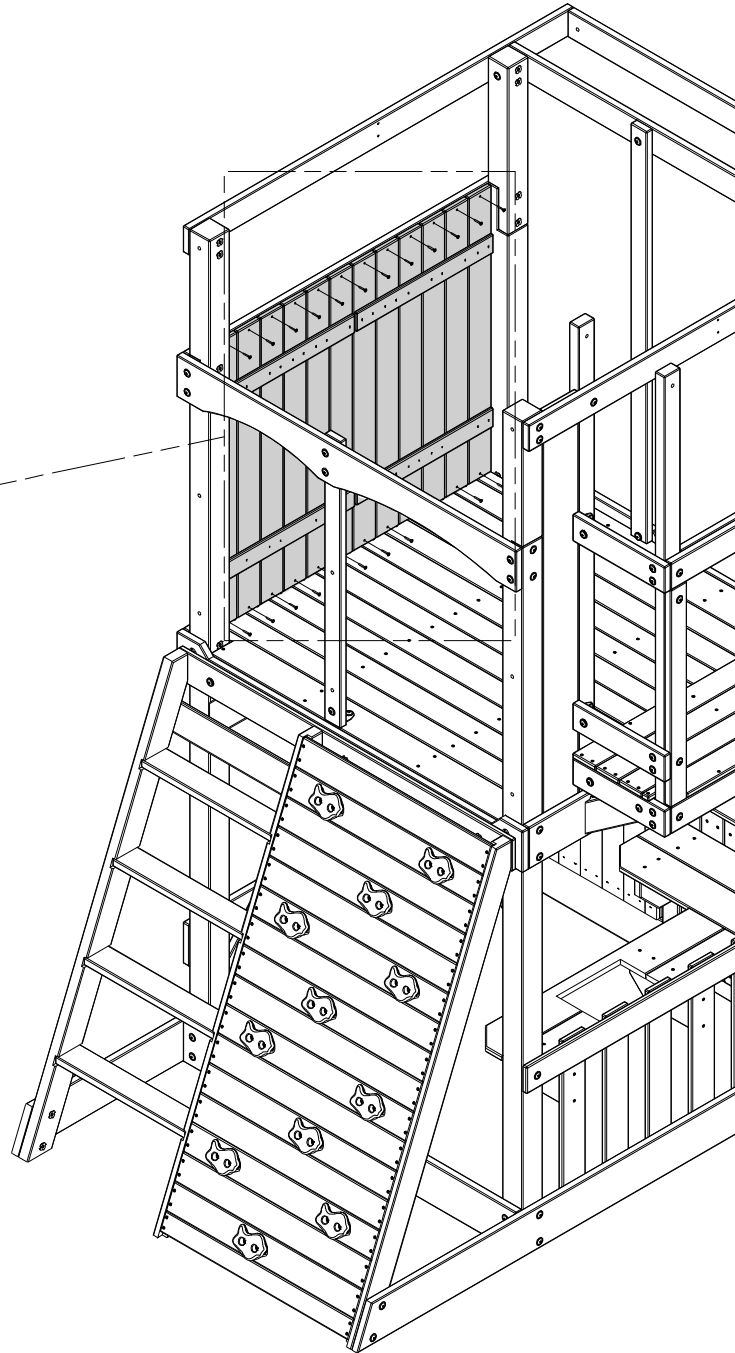
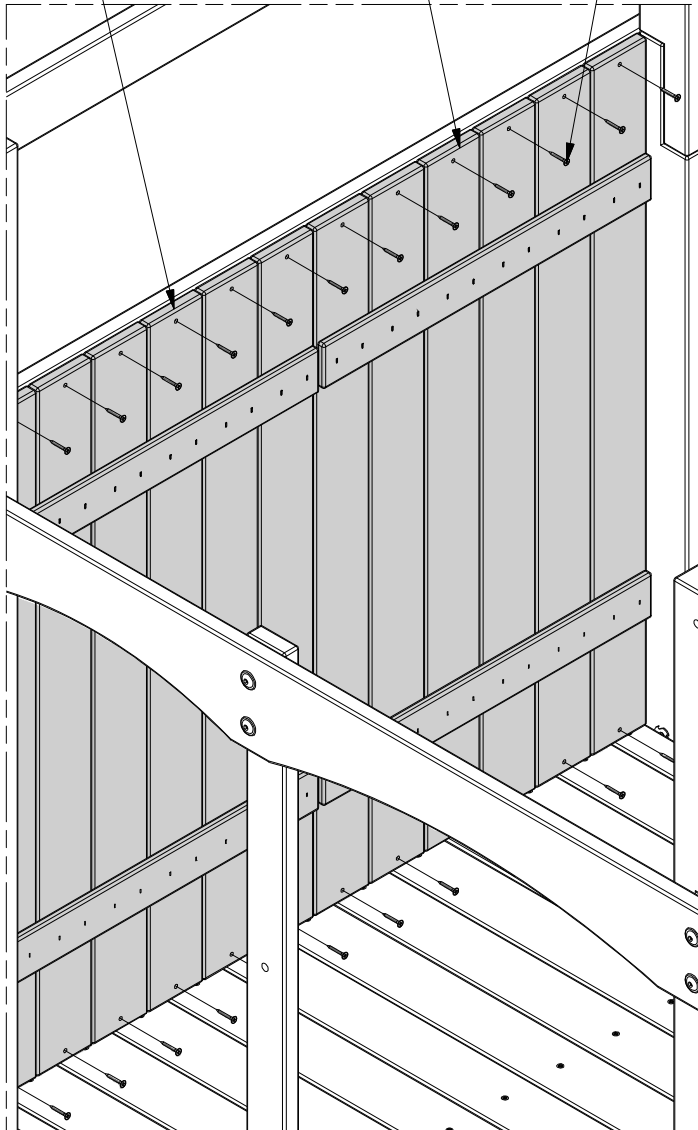


H100380 | SCREW PFH BLK
(x24) | 8x1 1/8"

WP2 (x1)
WALL PANEL

WP2 (x1)
WALL PANEL

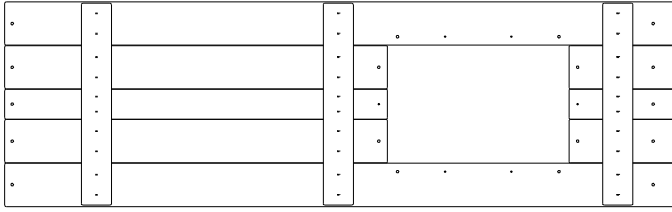
380 (x24)
SCREW - 1 1/8"





Phase 3

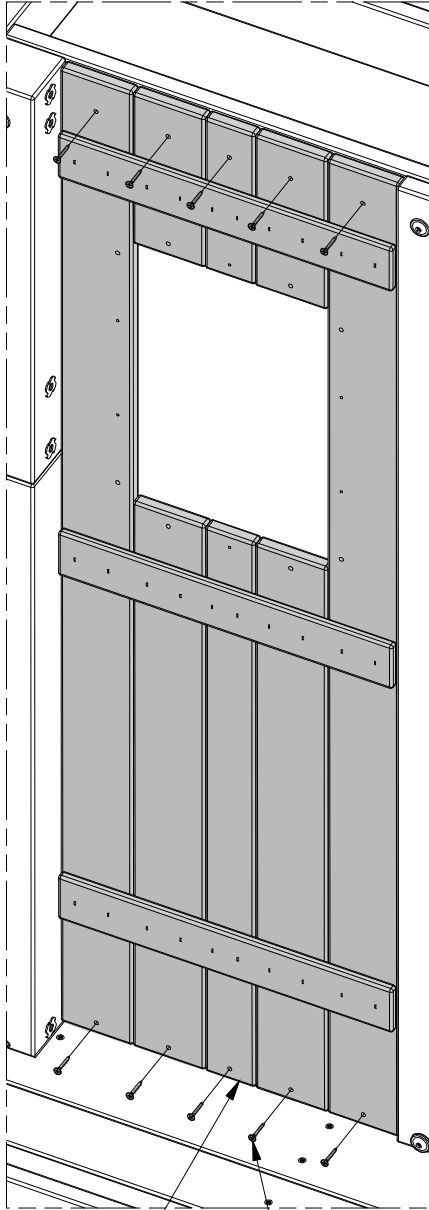
STEP 4



WP1 | WALL PANEL - W2A02748
(x1) | 1 1/16"x15 15/16"x52 3/8" (27x405x1331)

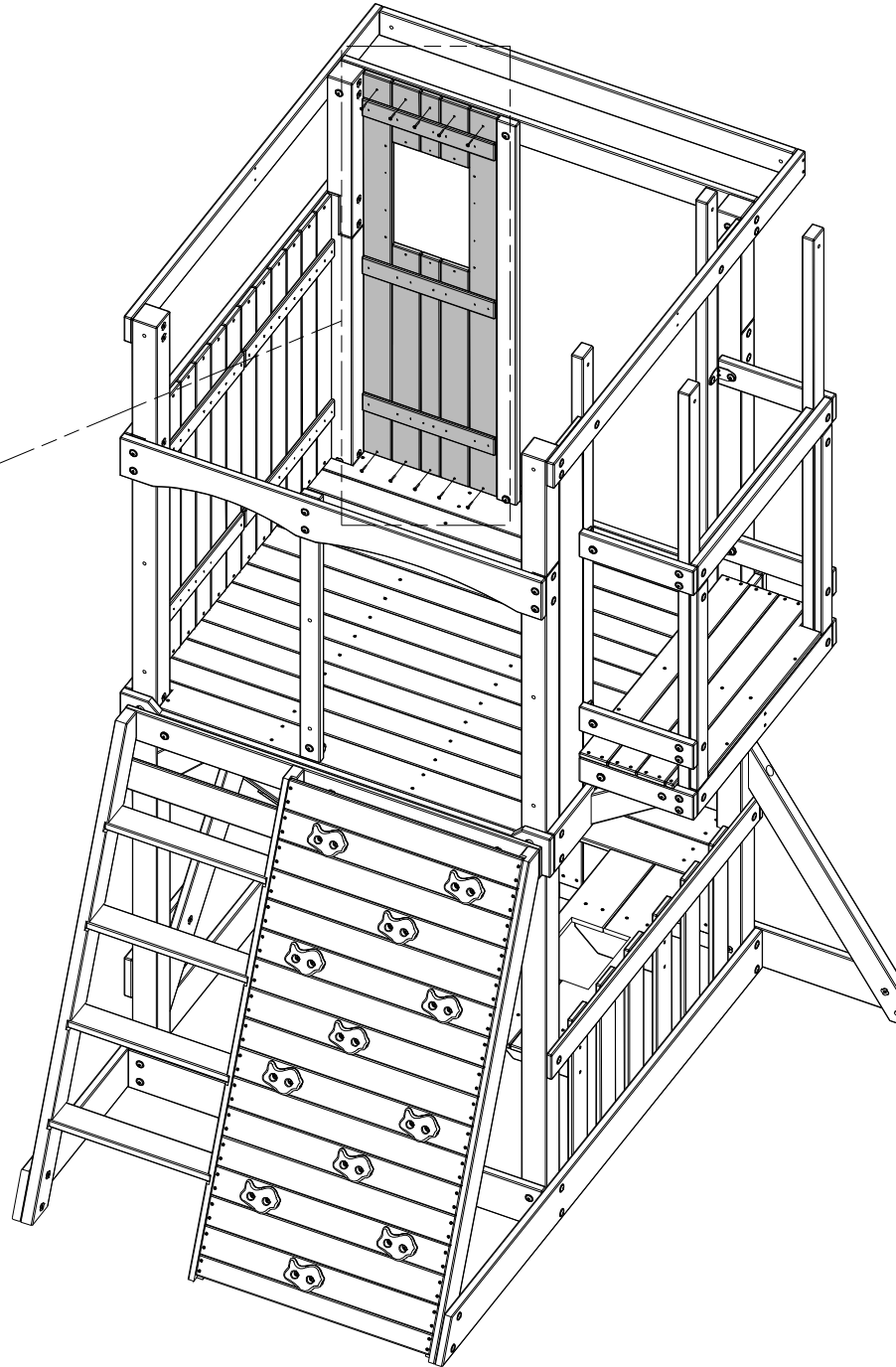


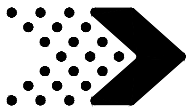
H100380 | SCREW PFH BLK
(x10) | 8x1 1/8"



WP1 (x1)
WALL PANEL

380 (x10)
SCREW - 1 1/8"





Phase 3

STEP 5

T3 | WINDOW FRAME - W4L12421
(x1) | 1"x1 3/8"x16 7/8" (24x34x429)

O1 | WINDOW TRIM - W4L12419
(x2) | 5/8"x1 3/8"x14 1/4" (16x34x361)

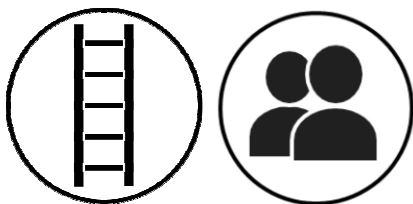
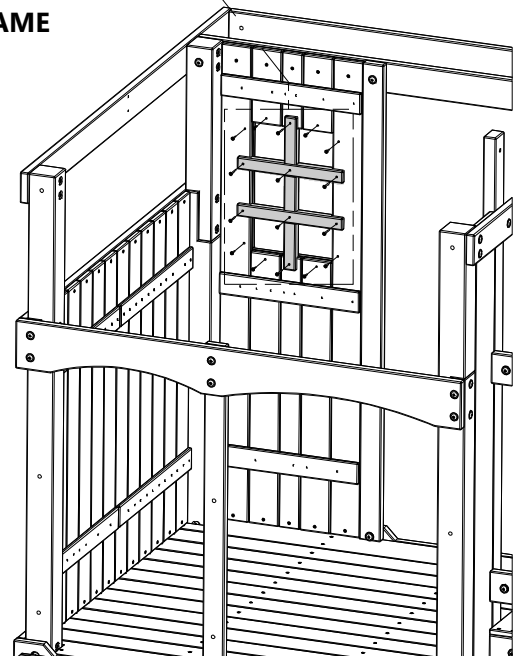
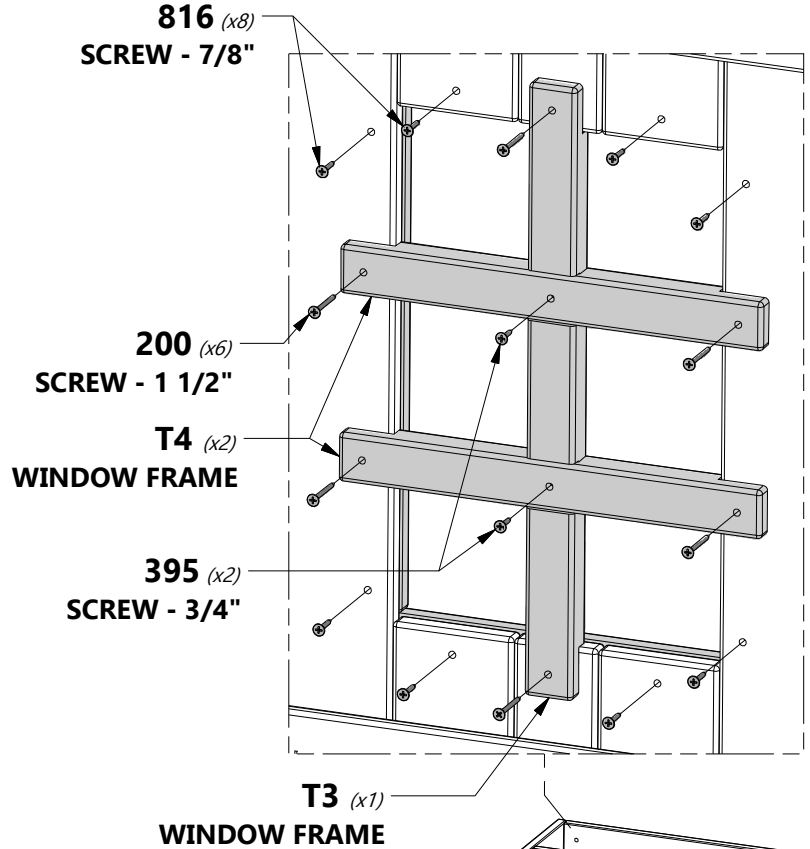
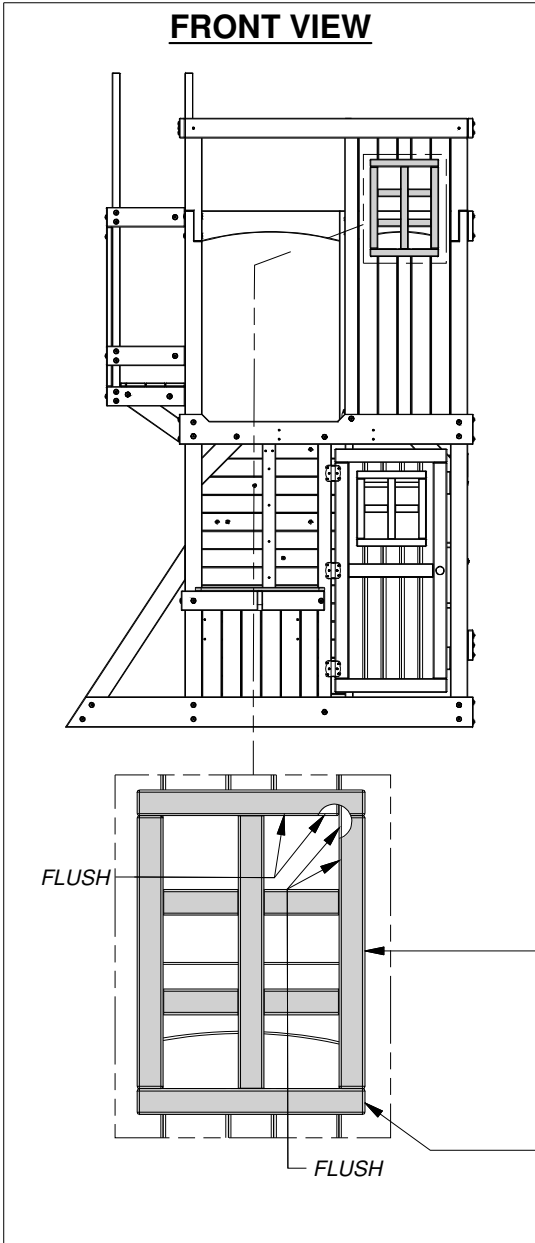
H100395 | SCREW PFH BLK
(x2) | 8x3/4

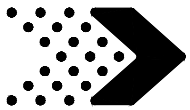
H100816 | SCREW PFH BLK
(x8) | 8x7/8

T4 | WINDOW FRAME - W4L12422
(x2) | 1"x1 3/8"x11 7/8" (24x34x301)

O2 | WINDOW TRIM - W4L12420
(x2) | 5/8"x1 3/8"x11 7/8" (16x34x301)

H100200 | SCREW PFH BLK
(x6) | 8x1 1/2





Phase 3

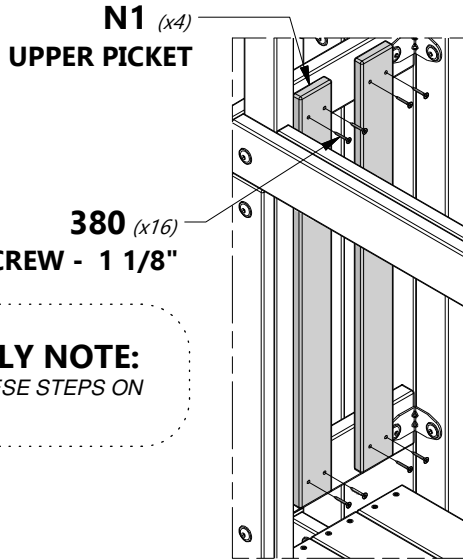
STEP 6



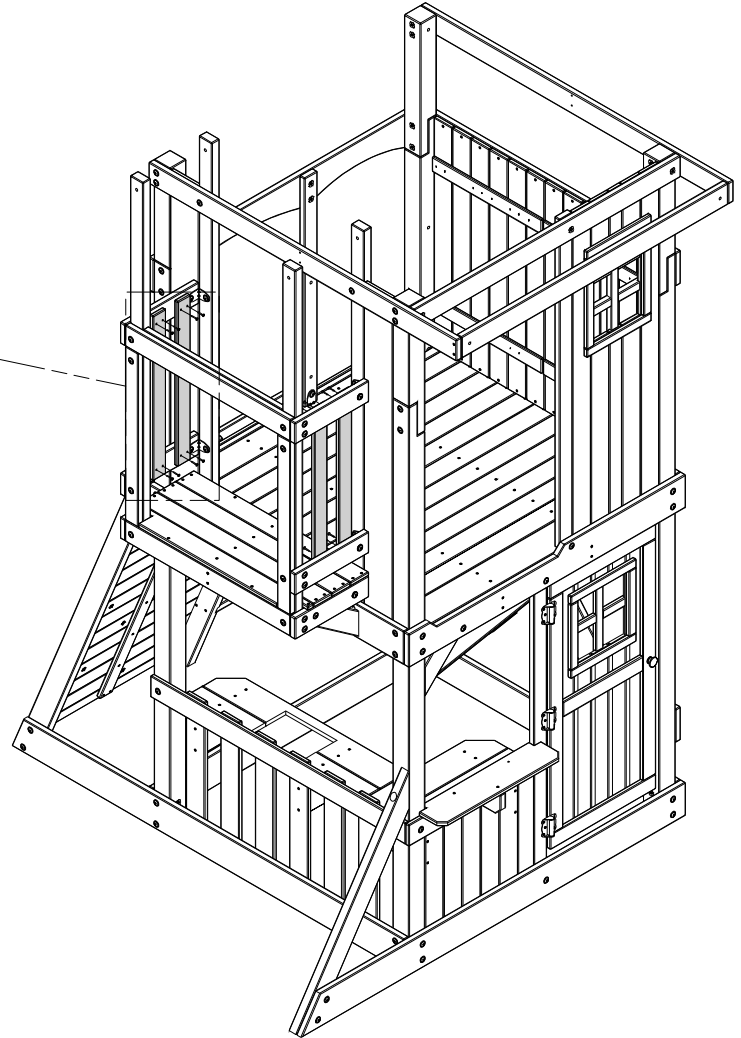
N1 | **UPPER PICKET - W4L12416**
 (x4) | 5/8"x2 3/8"x26 1/4" (16x60x666)



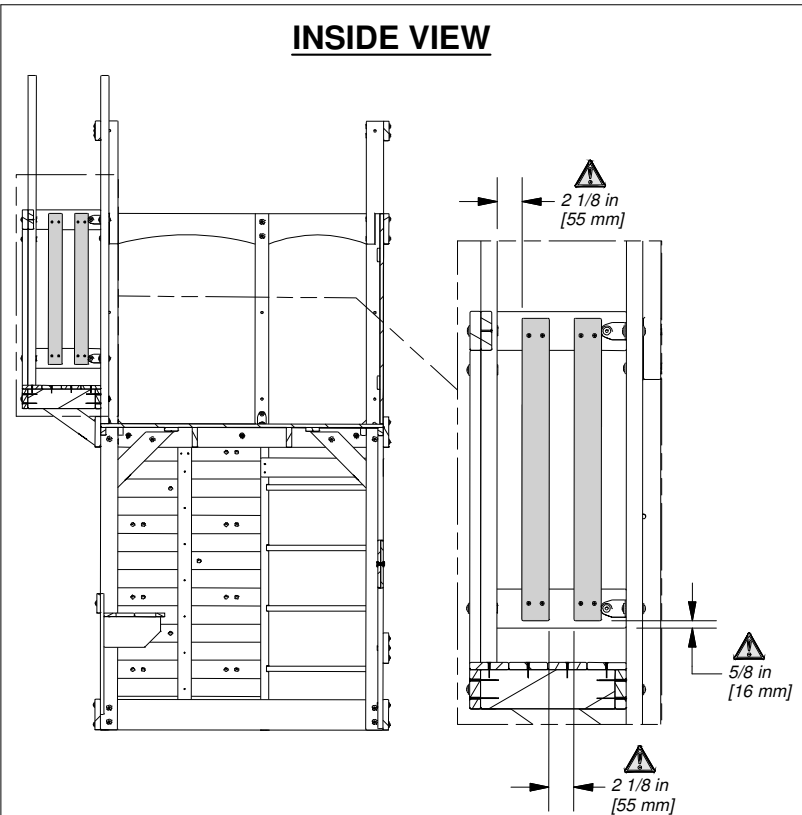
H100380 | **SCREW PFH BLK**
 (x16) | 8x1 1/8

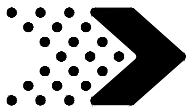


ASSEMBLY NOTE:
 FOLLOW THESE STEPS ON
 BOTH SIDES.



INSIDE VIEW





Phase 3

STEP 7



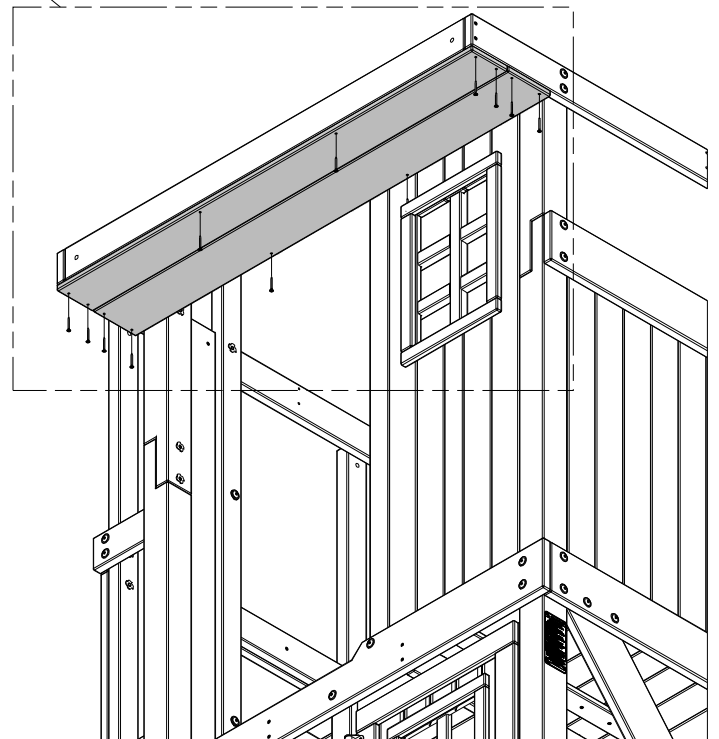
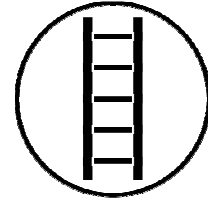
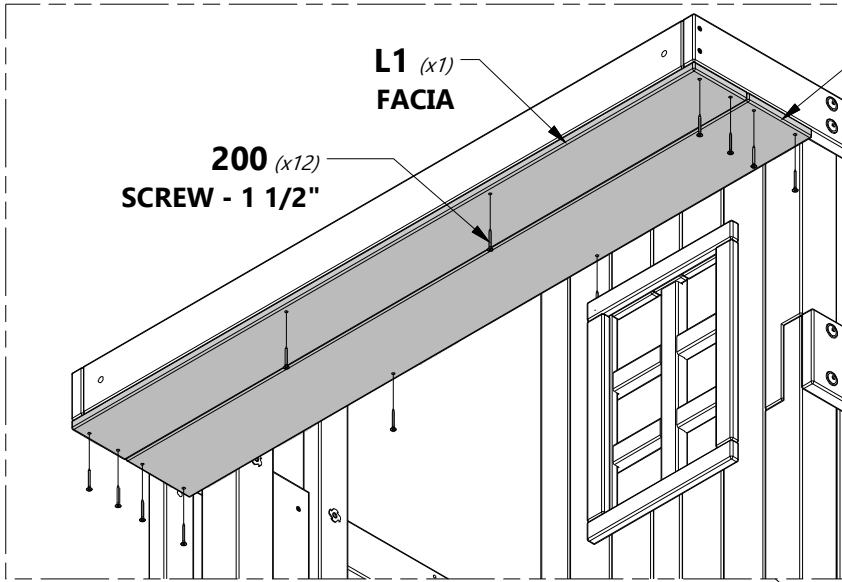
L1 | **FACIA - W4L12431**
(x1) | 5/8"x4 3/8"x51" (16x112x1296)

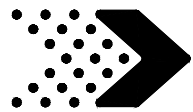


K8 | **FACIA - W4L12430**
(x1) | 5/8"x5 1/4"x51" (16x134x1296)




H100200 | **SCREW PFH BLK**
(x12) | 8x1 1/2







Phase 4

STEP 1


N3 | ROOF CLEAT - W4L12433
 (x1) | 5/8"x2 3/8"x3 15/16" (16x60x100)


H14 | ROOF JOIST - W4L12432
 (x2) | 1"x3 3/8"x30 3/8" (24x86x770)


H100387 | SCREW PFH BLK
 (x4) | 8x1-1/4

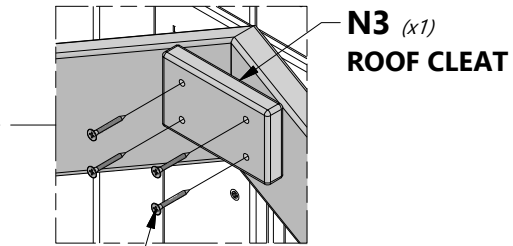

H100382 | SCREW PFH BLK
 (x4) | 8x1 3/4



ASSEMBLY TIP:

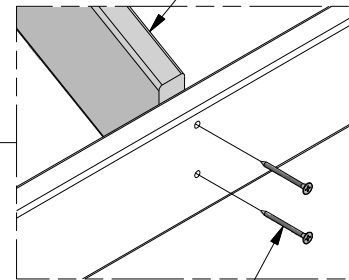
OPTION: IF YOU DON'T HAVE A HELPER YOU CAN ASSEMBLE THE ROOF JOISTS ON THE GROUND FORMING THE PEAK AND THEN MOUNT IT TO THE FORT.

H14 (x1)
ROOF JOIST

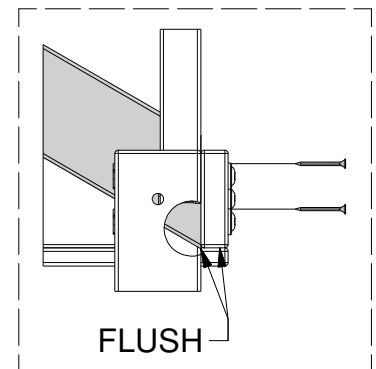


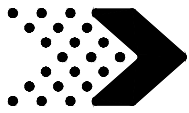
387 (x4)
SCREW - 1 1/4"

H14 (x1)
ROOF JOIST



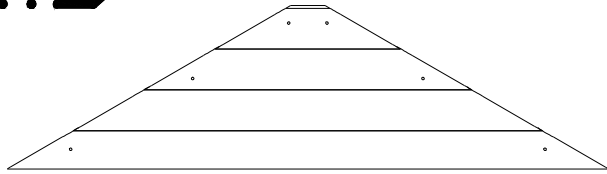
382 (x4)
SCREW - 1 3/4"



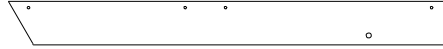


Phase 4

STEP 2



GP1 | **GUSSET PANEL - W2A02752**
(x2) | 5/8"x47"x12 3/4" (16x1194x324)



M16 | **FACIA BOARD - W4L12967**
(x4) | 5/8"x3 3/8"x34 5/8" (16x86x880)



H100380 | **SCREW PFH BLK**
(x12) | 8x1 1/8

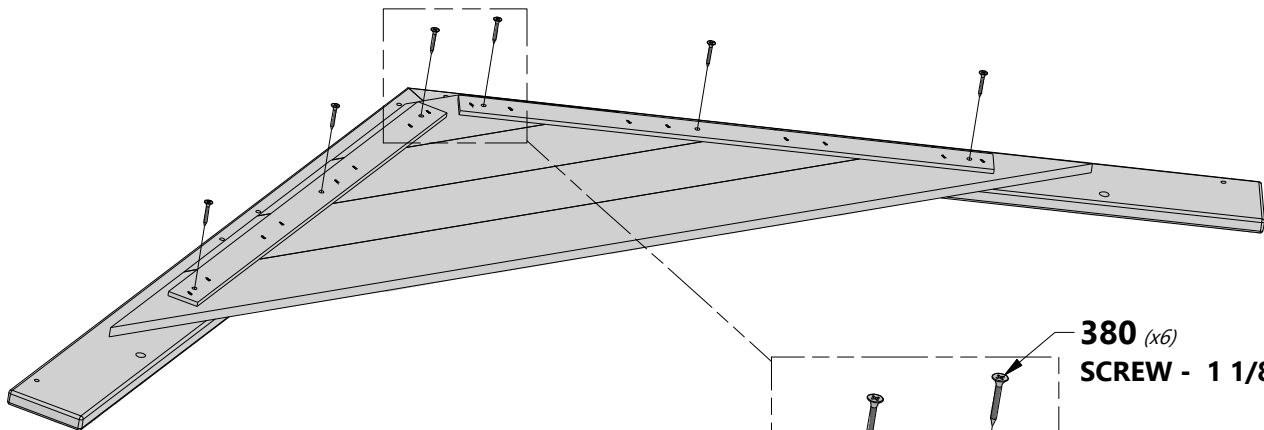
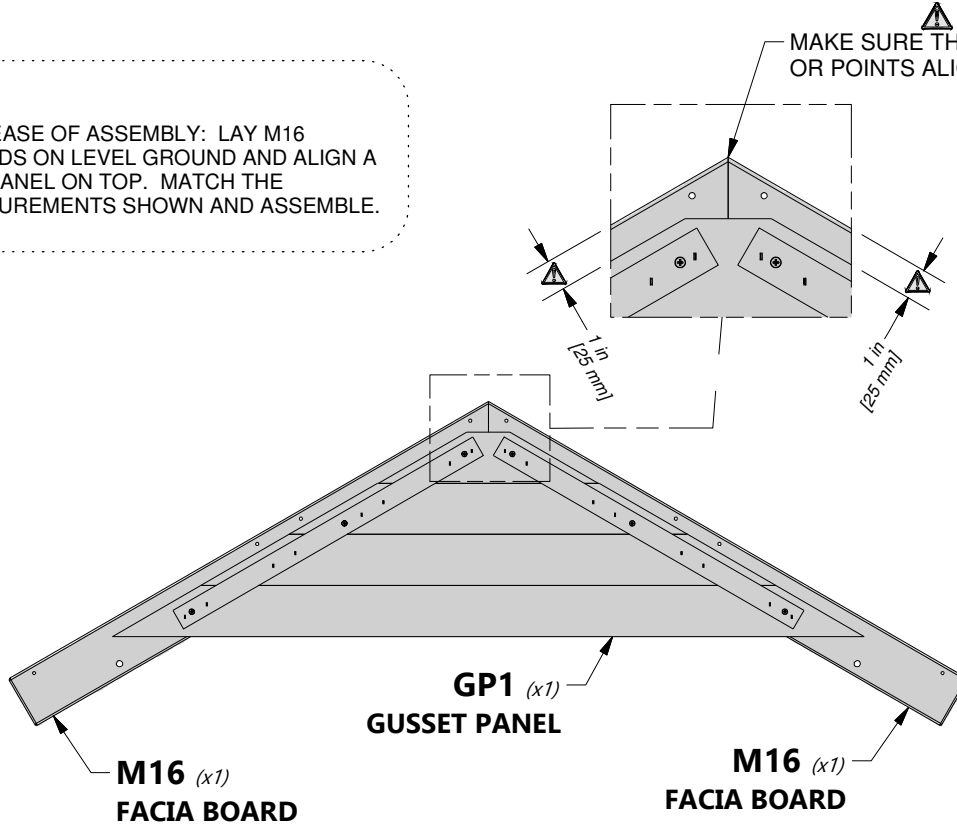
DO THESE STEPS TWICE



TIP:

FOR EASE OF ASSEMBLY: LAY M16 BOARDS ON LEVEL GROUND AND ALIGN A GP1 PANEL ON TOP. MATCH THE MEASUREMENTS SHOWN AND ASSEMBLE.

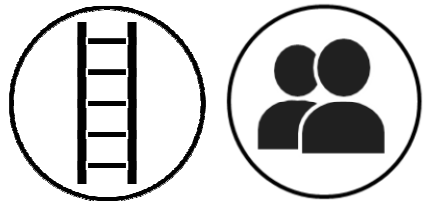
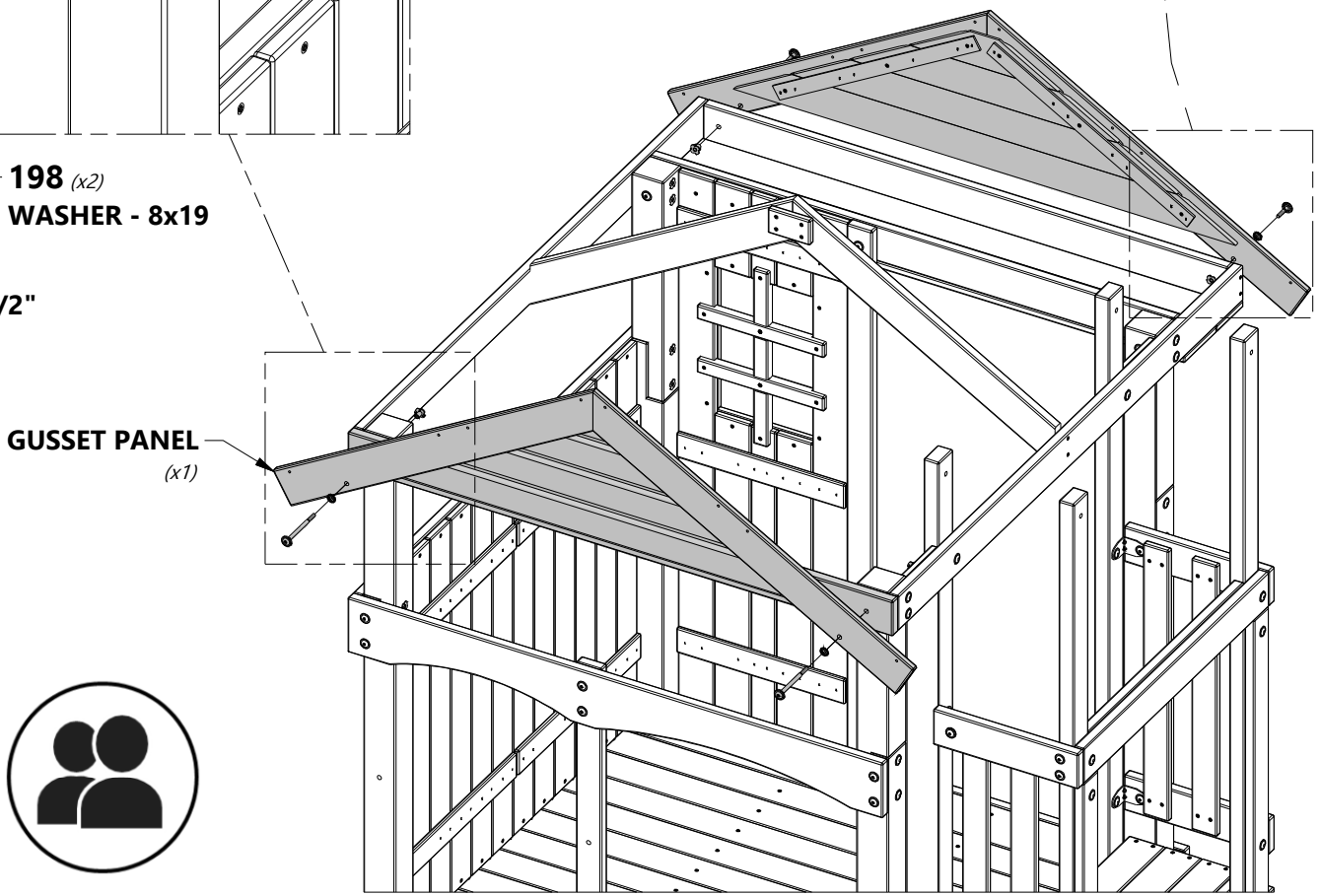
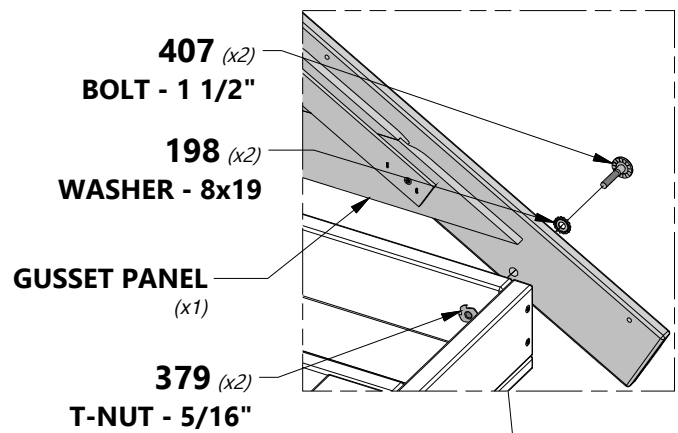
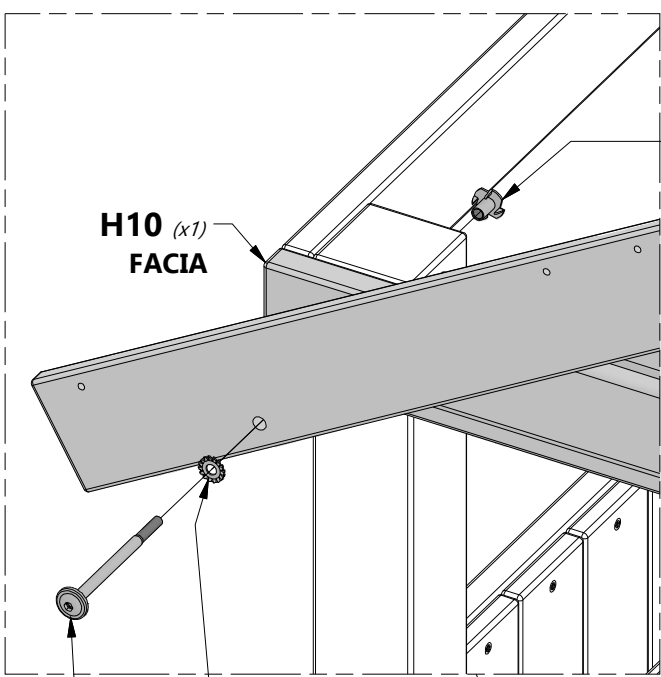
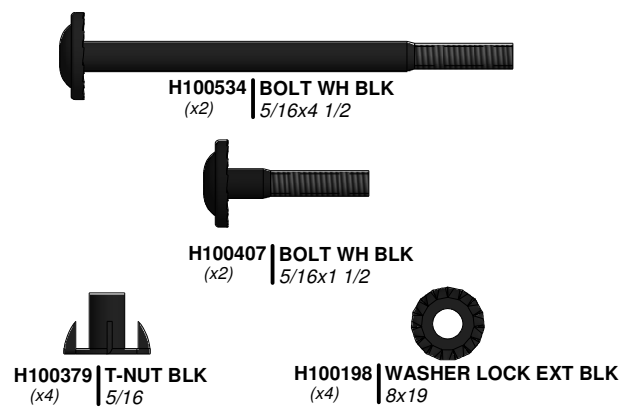
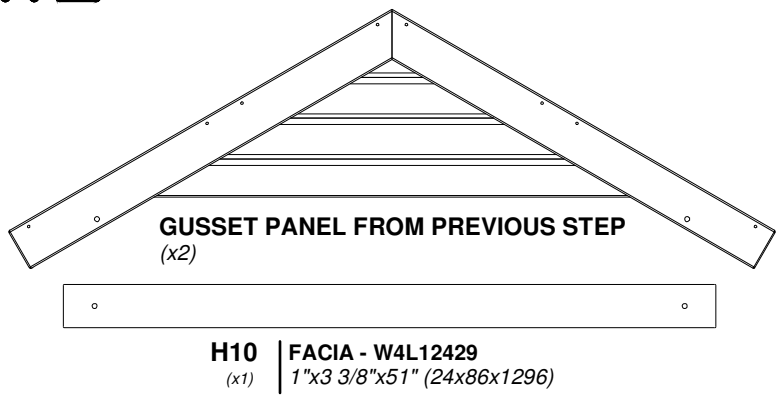
MAKE SURE THE CORNERS OR POINTS ALIGN AS SHOWN.

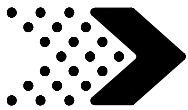




Phase 4

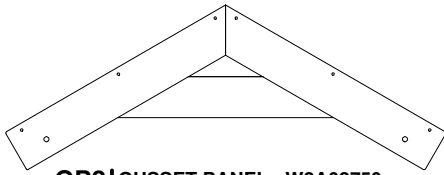
STEP 3



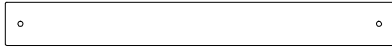


Phase 4

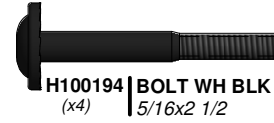
STEP 4



GP2 | GUSSET PANEL - W2A02750
(x2) | 1 1/16"x12 3/4"x34 9/16" (27x326x874)



M11 | TOP RAIL BOARD - W4L12434
(x2) | 5/8"x3 3/8"x30 3/8" (16x86x772)



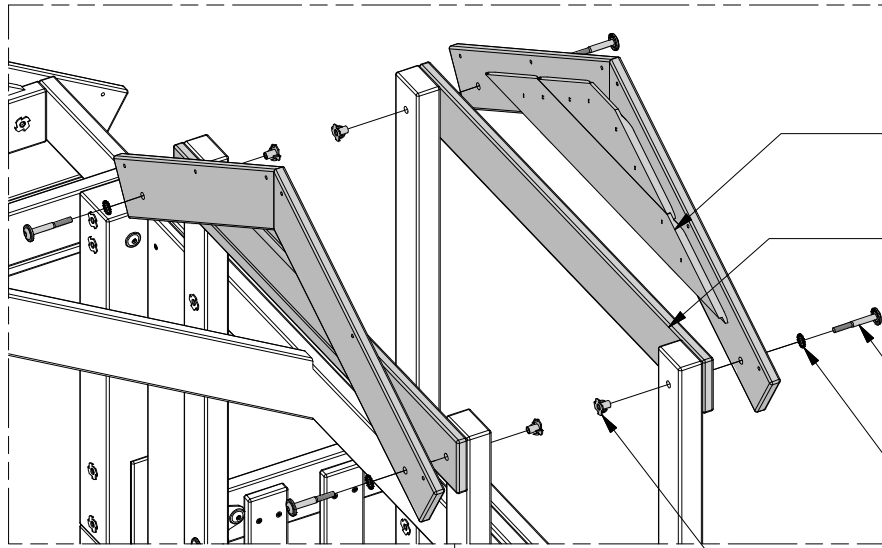
H100194 | BOLT WH BLK
(x4) | 5/16x2 1/2



H100379 | T-NUT BLK
(x4) | 5/16



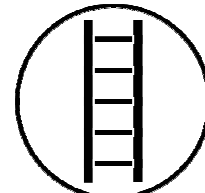
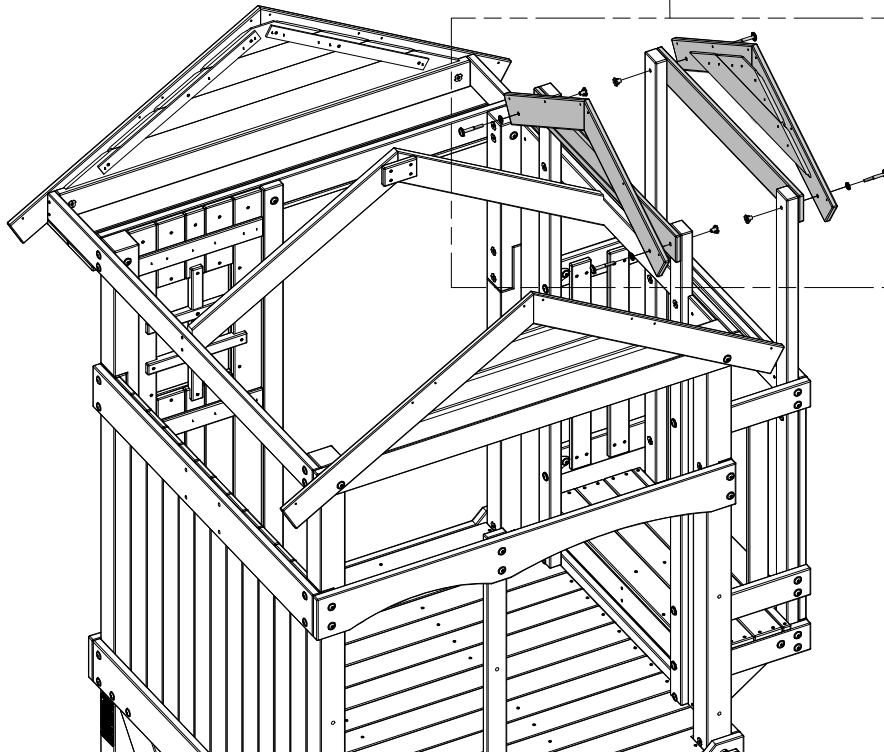
H100198 | WASHER LOCK EXT BLK
(x4) | 8x19

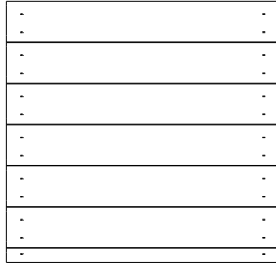
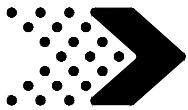


GP2 (x2)
GUSSET PANEL
M11 (x2)
TOP RAIL BOARD

194 (x4)
BOLT - 2 1/2"
198 (x4)
WASHER - 8x19

379 (x4)
T-NUT - 5/16"

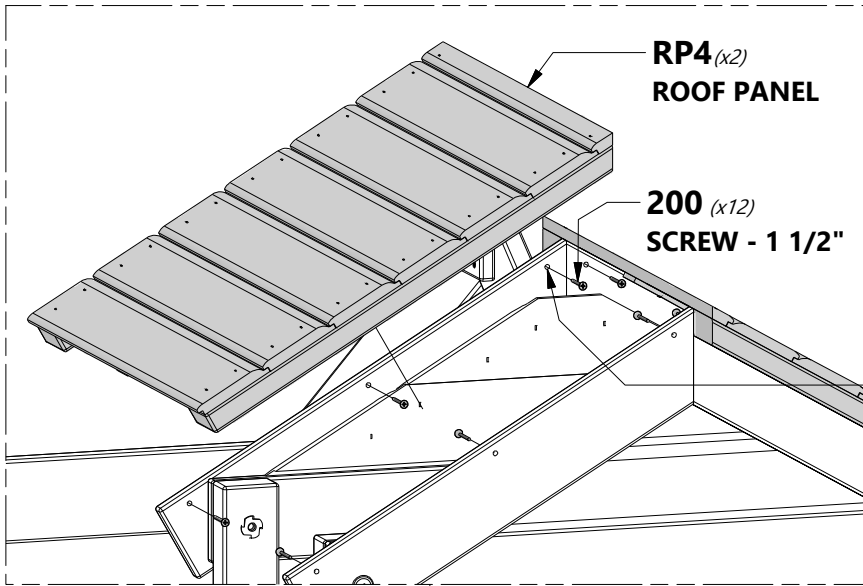




RP4 | ROOF PANEL - W2A02756
(x2) | 1 3/8"x20 3/8"x21 5/16" (35x517x541)



H100200 | SCREW PFH BLK
(x12) | 8x1 1/2

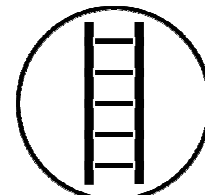
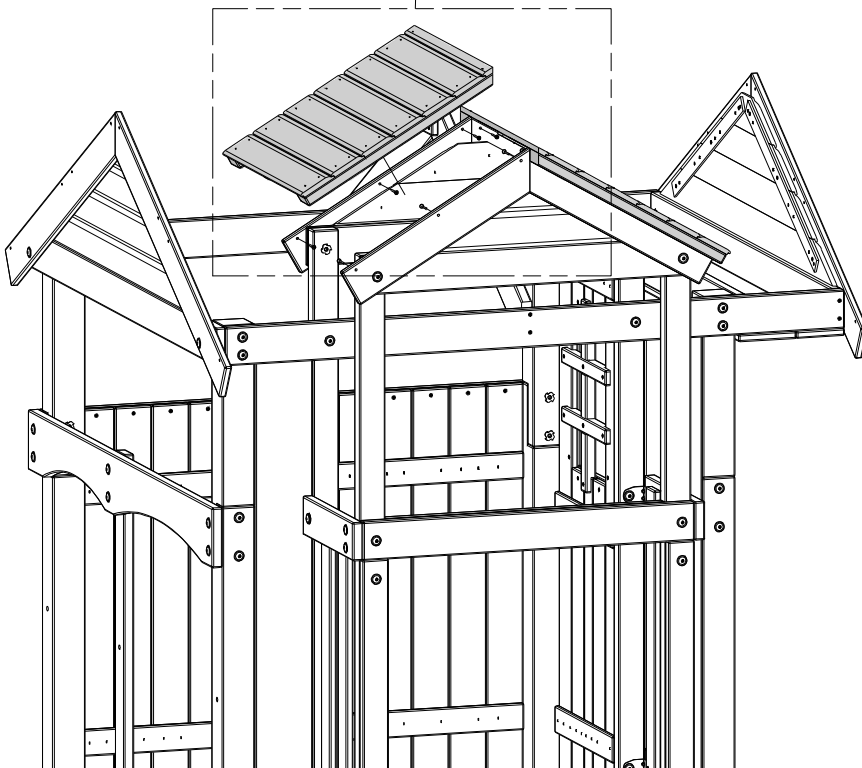


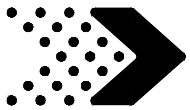
NOTE PILOT HOLES



ASSEMBLY TIP:

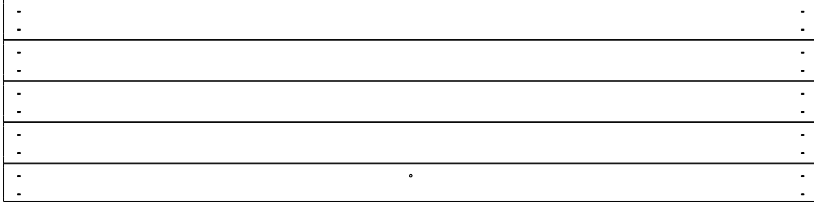
USE A HELPER TO HOLD THE PANELS AND TO MAKE SURE THE PANELS ARE CENTERED ON THE PEAK DURING ASSEMBLY.





Phase 4

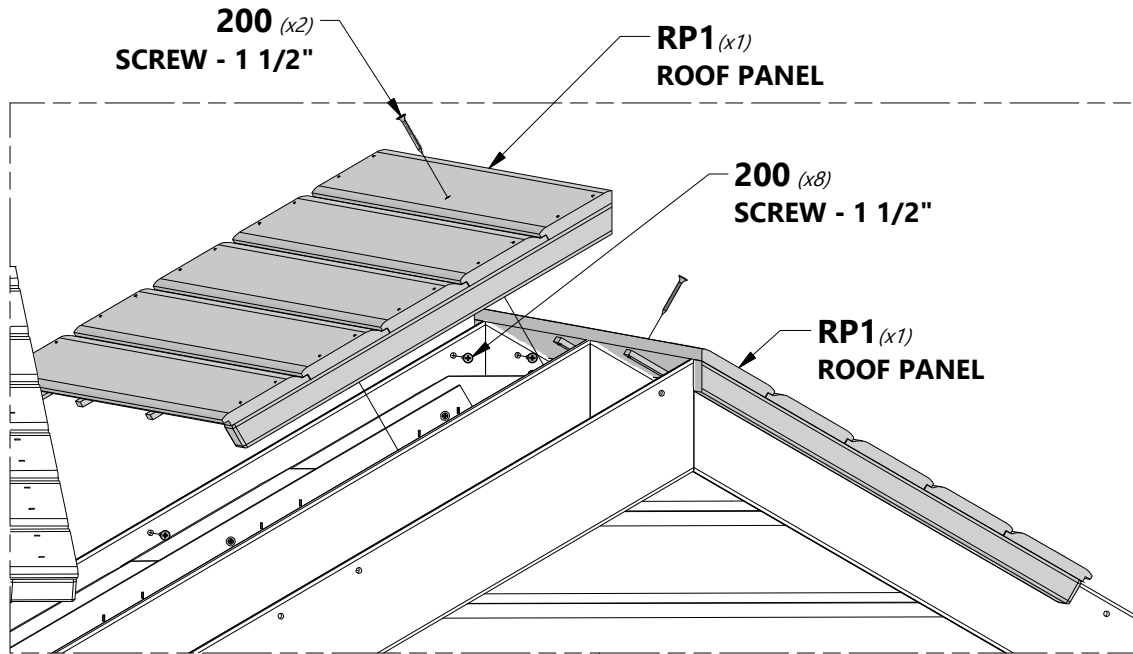
STEP 6



RP1 | ROOF PANEL - W2A02753
(x2) | 1 3/8"x15 13/16"x63 5/8" (35x401x1616)

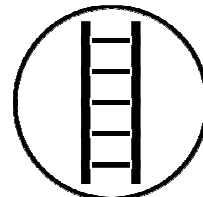
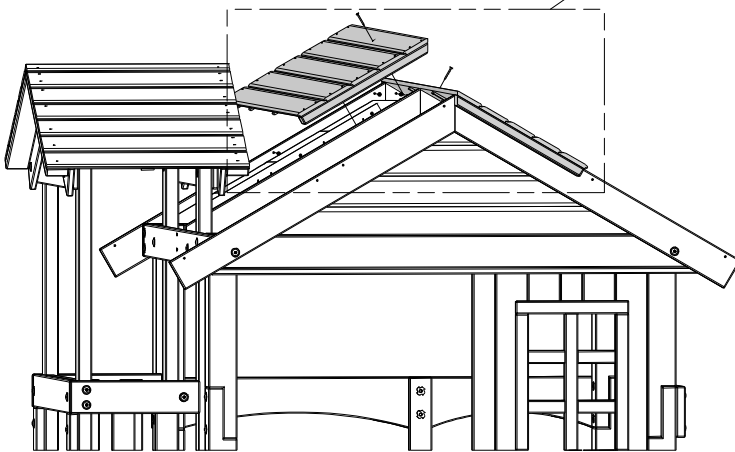


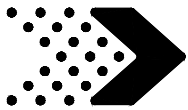
H100200 | SCREW PFH BLK
(x10) | 8x1 1/2



ASSEMBLY TIP:

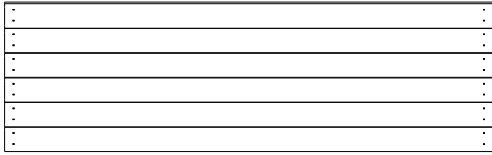
USE A HELPER TO HOLD THE PANELS AND HELP MAKE SURE THE PANELS ARE CENTERED ON THE PEAK DURING ASSEMBLY.



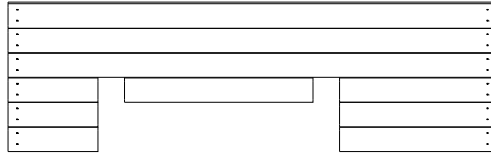


Phase 4

STEP 7

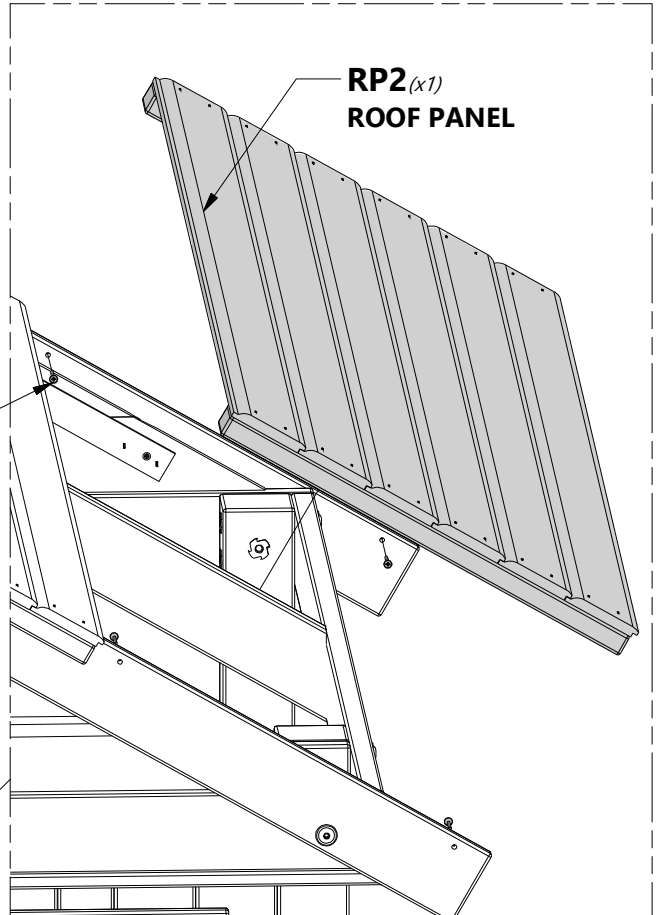
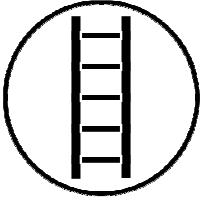


RP2 | ROOF PANEL - W2A02754
(x1) | 1 3/8"x19 7/16"x63 5/8" (35x494x1616)

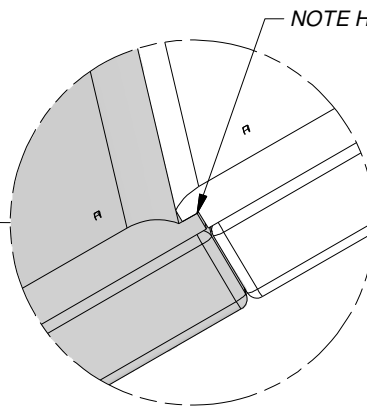
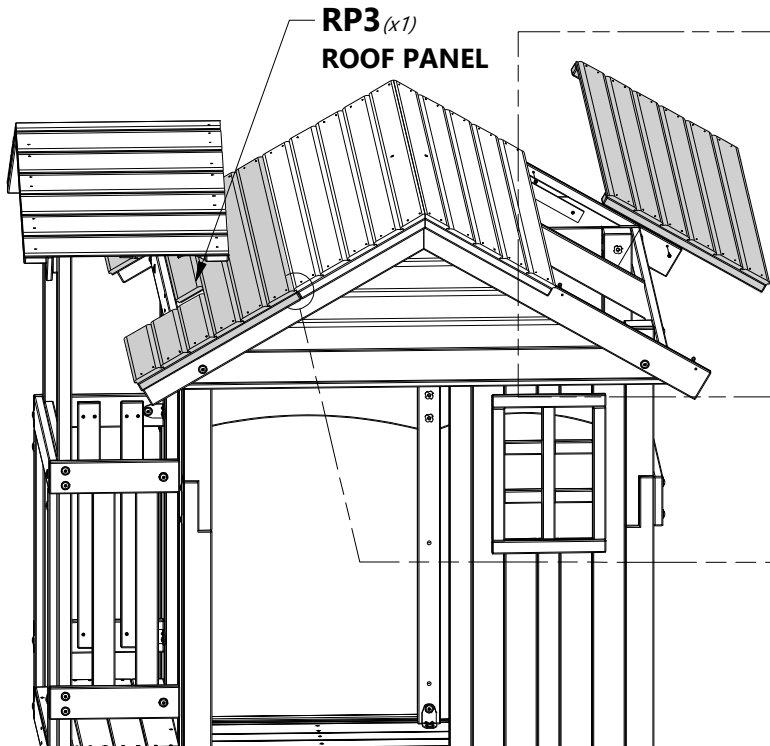


RP3 | ROOF PANEL - W2A02755
(x1) | 1 3/8"x19 7/16"x63 5/8" (35x494x1616)


H100200 | SCREW PFH BLK
(x8) | 8x1 1/2



ASSEMBLY TIP:
INSTALL THE RP3 PANEL
USING THE SAME STEPS AS
SHOWN ON THE RP2 PANEL.





Phase 5

STEP 1



A100118 | **HAND GRIP METAL GREEN 381 c/c**
(x3)



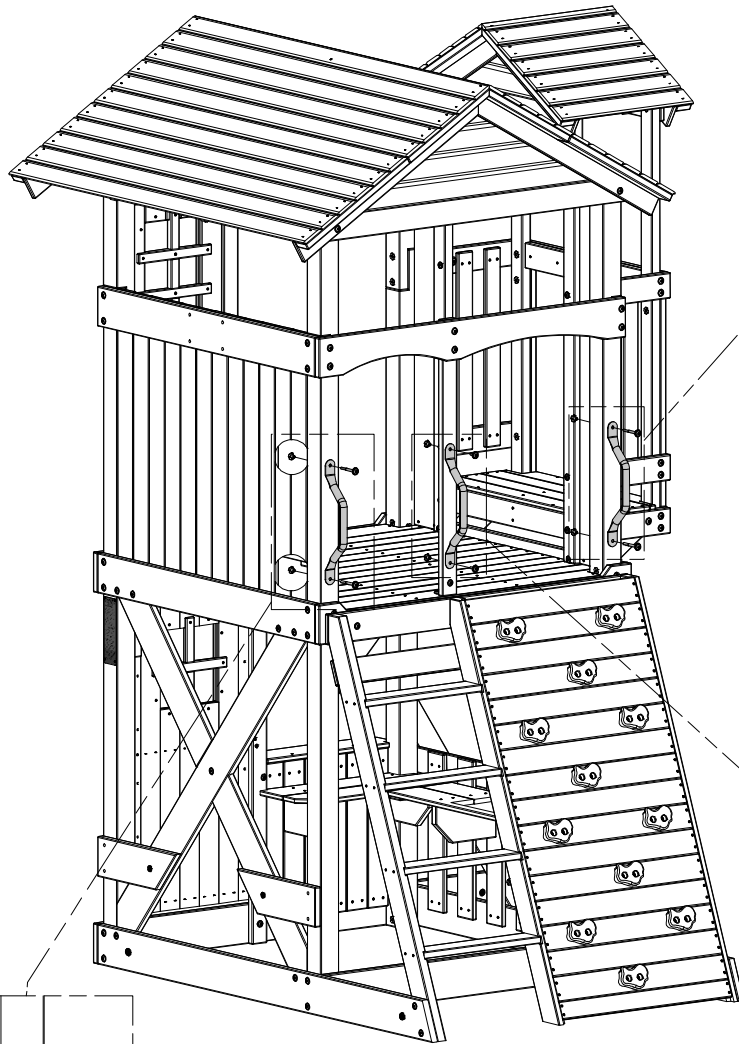
H100416 | **BOLT WH BLK**
(x4) | 5/16x3



H100468 | **BOLT WH BLK**
(x2) | 5/16x1



H100379 | **T-NUT BLK**
(x6) | 5/16



379 (x2)
T-NUT - 5/16"

416 (x2)
BOLT - 3"

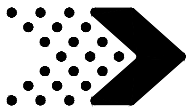
379 (x2)
T-NUT - 5/16"

468 (x2)
BOLT - 1"

416 (x2)
BOLT - 3"

379 (x2)
T-NUT - 5/16"

118 (x3)
HAND GRIP METAL GREEN 381 c/c



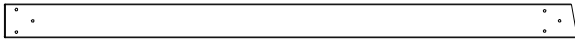
Phase 6

STEP 1

A2 | **SB 9" BLOCK - W4L12441**
 (x1) | 3 3/8"x5 1/4"x9" (86x134x228)



A1 | **SWING BEAM - W4L12440**
 (x1) | 3 3/8"x5 1/4"x89 1/2" (86x134x2274)



A100325 | **SWING BEAM EXTENSION BRACKET-LEFT**
 (x1)



A4M00993 | **EXTENDED SWING BEAM BRACKET**
 (x2)



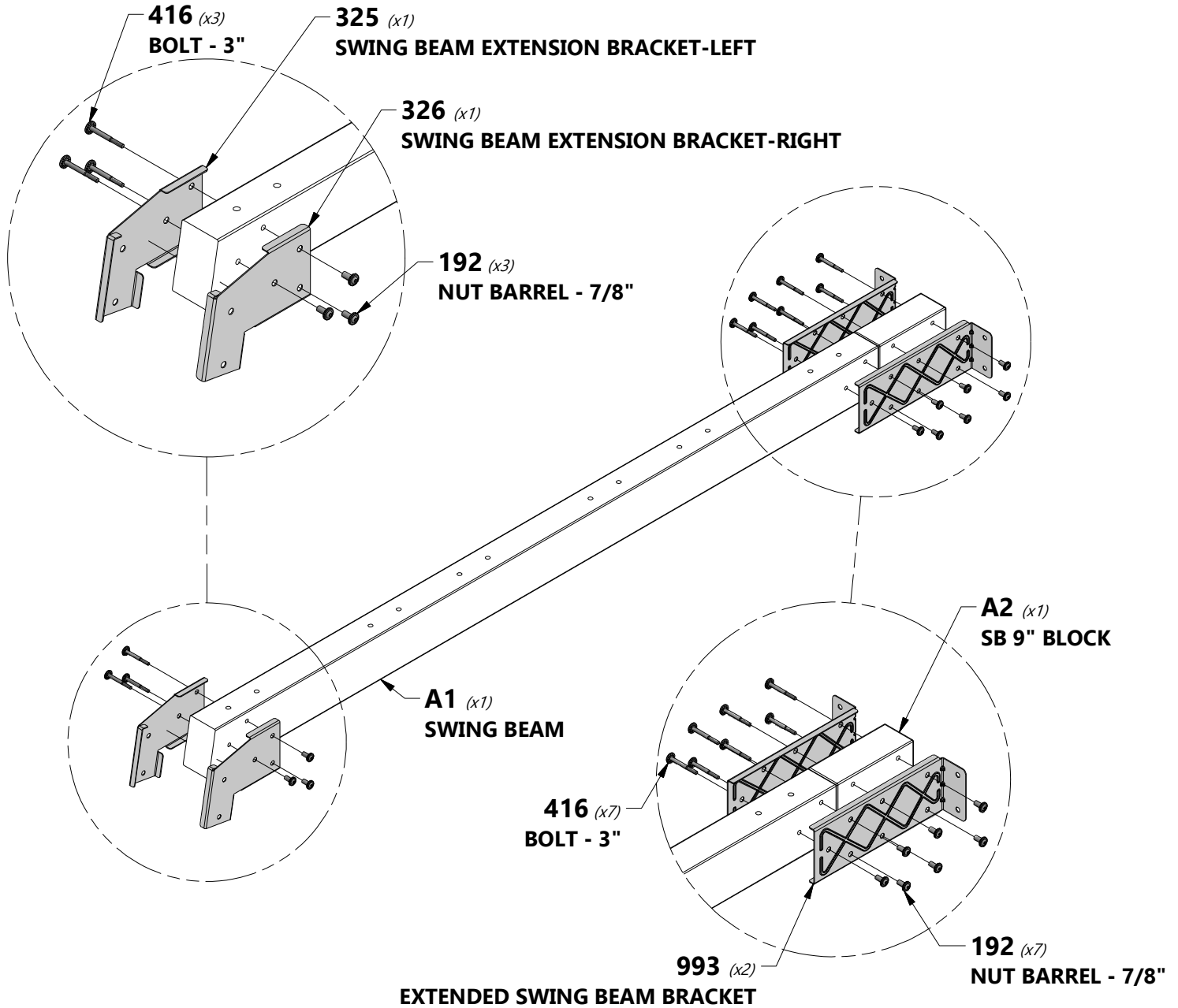
A100326 | **SWING BEAM EXTENSION BRACKET-RIGHT**
 (x1)

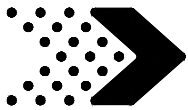


H100416 | **BOLT WH BLK**
 (x10) | 5/16x3



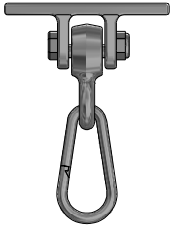
H100192 | **NUT BARREL WH BLK**
 (x10) | 5/16x7/8





Phase 6

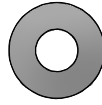
STEP 2



A4M00926 | SINGLE DUCTILE HANGER SD
(6)



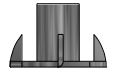
H100665 | BOLT HEX SD
(x12) | 3/8x5 3/4



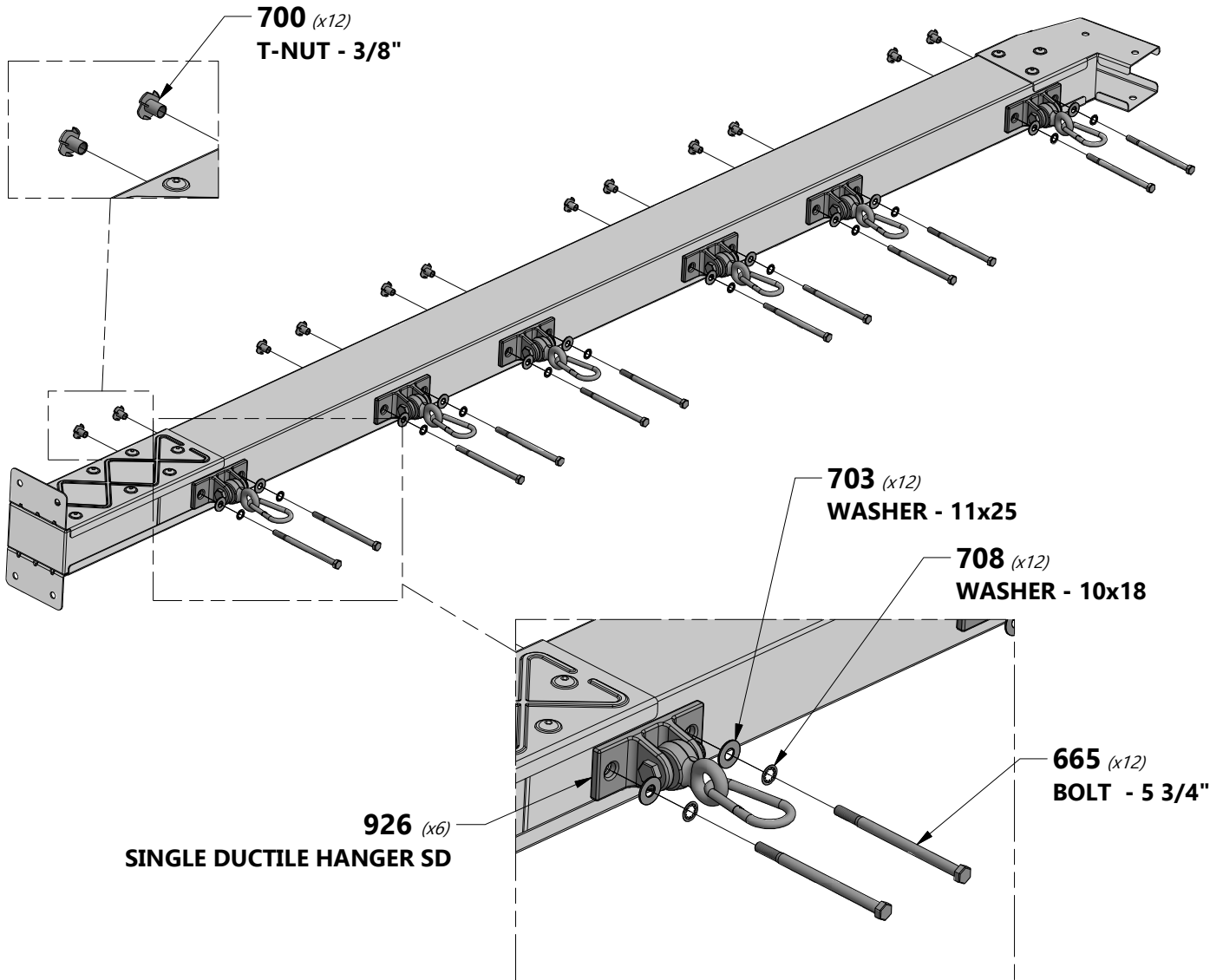
H100703 | WASHER FLAT SD
(x12) | 11x25



H100708 | WASHER LOCK INT SD
(x12) | 10x18



H100700 | T-NUT SD
(x12) | 3/8





Phase 6

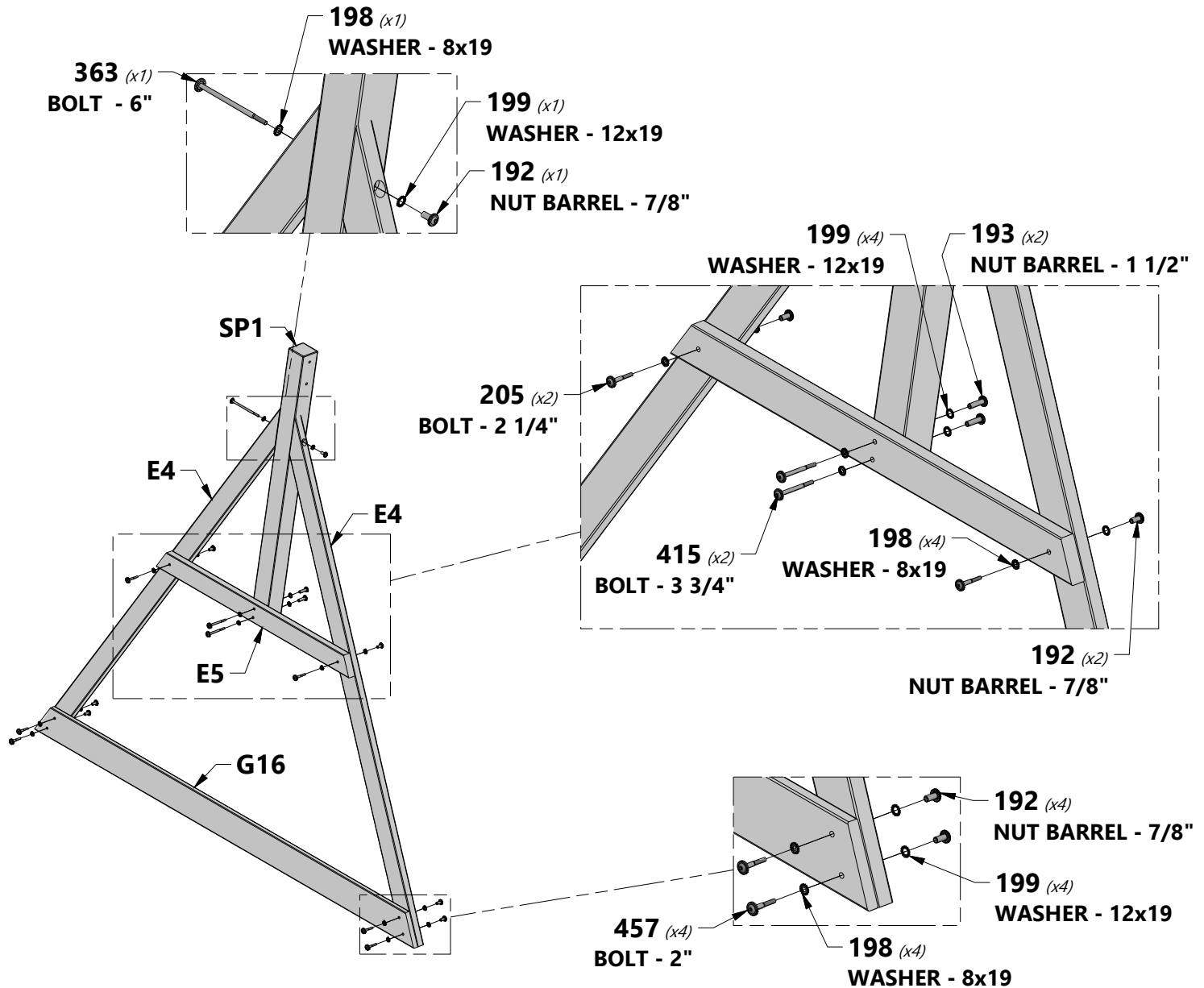
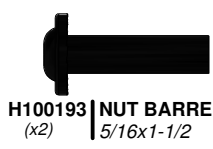
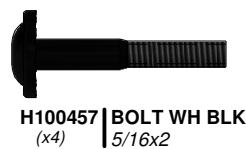
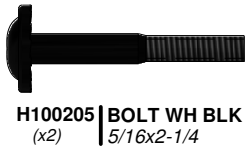
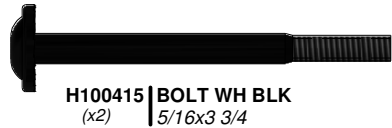
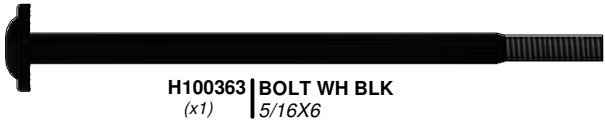
STEP 3

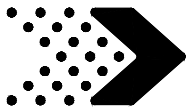
SP1 | SWING BEAM SUPPORT - W4L12439
 (x1) | 3 3/8"x3 3/8"x49 3/8" (86x86x1254)

G16 | GROUND BOARD - W4L12442
 (x1) | 1"x5 1/4"x86 3/4" (24x134x2202)

E4 | S.B. ANGLE BRACE - W4L12444
 (x2) | 1 3/8"x3 3/8"x88 3/4" (36x86x2254)

E5 | S.B. END SUPPORT - W4L12443
 (x1) | 1 3/8"x3 3/8"x44 1/8" (36x86x1120)





Phase 6

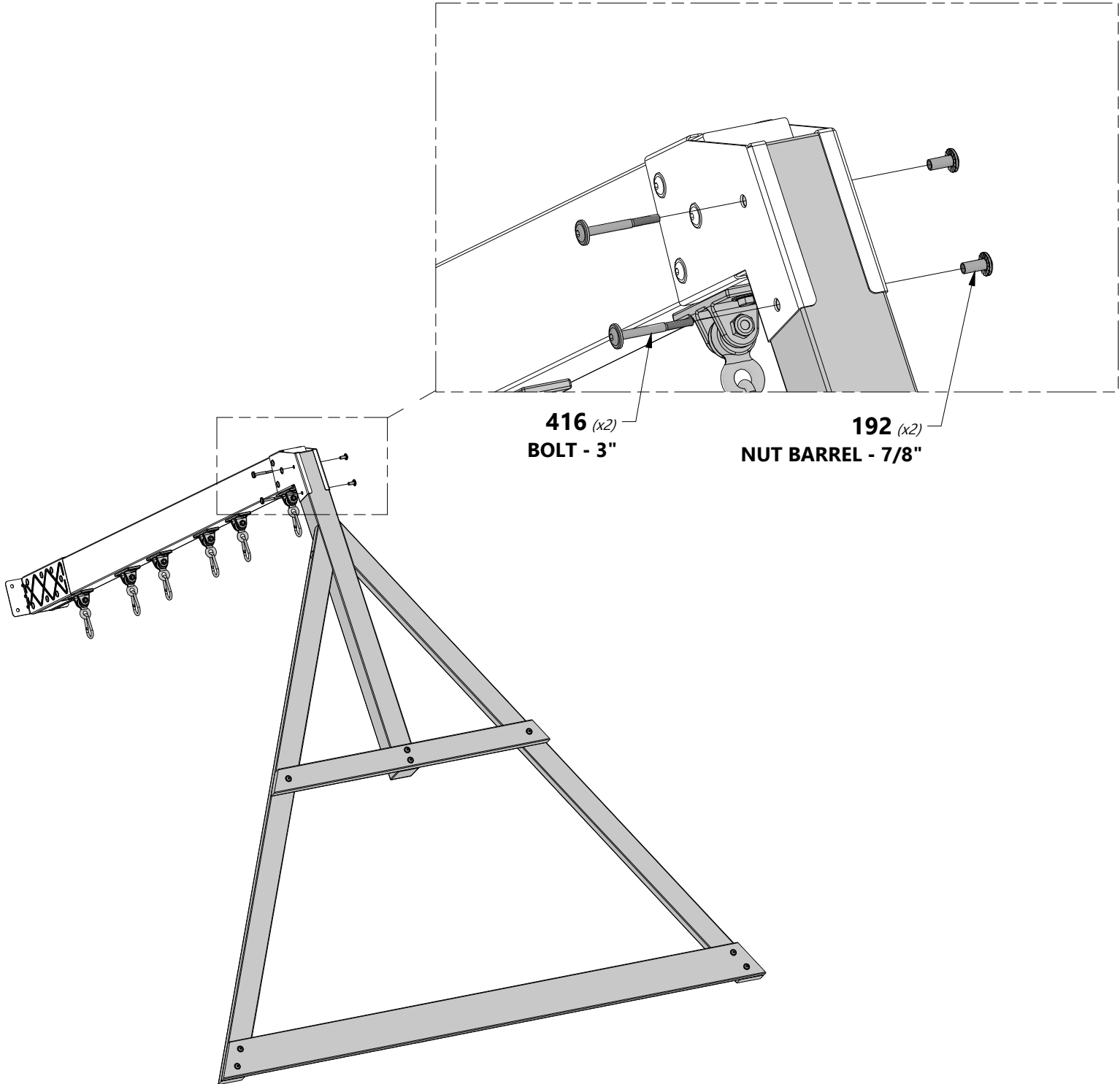
STEP 4

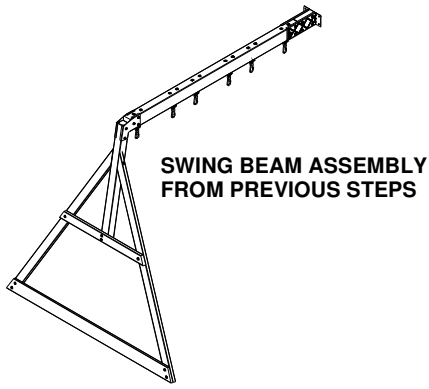
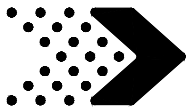


H100416 | BOLT WH BLK
(x2) | 5/16x3



H100192 | NUT BARREL WH BLK
(x2) | 5/16x7/8





SWING BEAM ASSEMBLY FROM PREVIOUS STEPS



H100481 | BOLT HEX BLK
(x4) | 5/16x1 1/4



H100478 | WASHER FLAT BLK
(x4) | 8x27



H100477 | WASHER SPLIT BLK
(x4) | 5/16

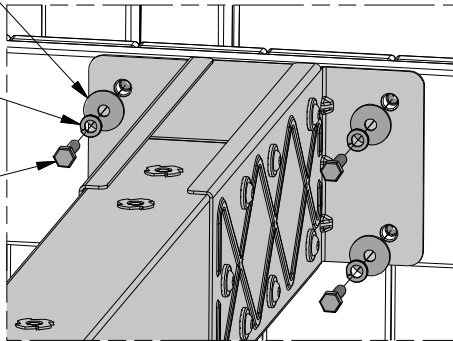


ASSEMBLY NOTE:
INSTALL HARDWARE USING THE T-NUTS THAT WERE PREVIOUSLY INSTALLED.

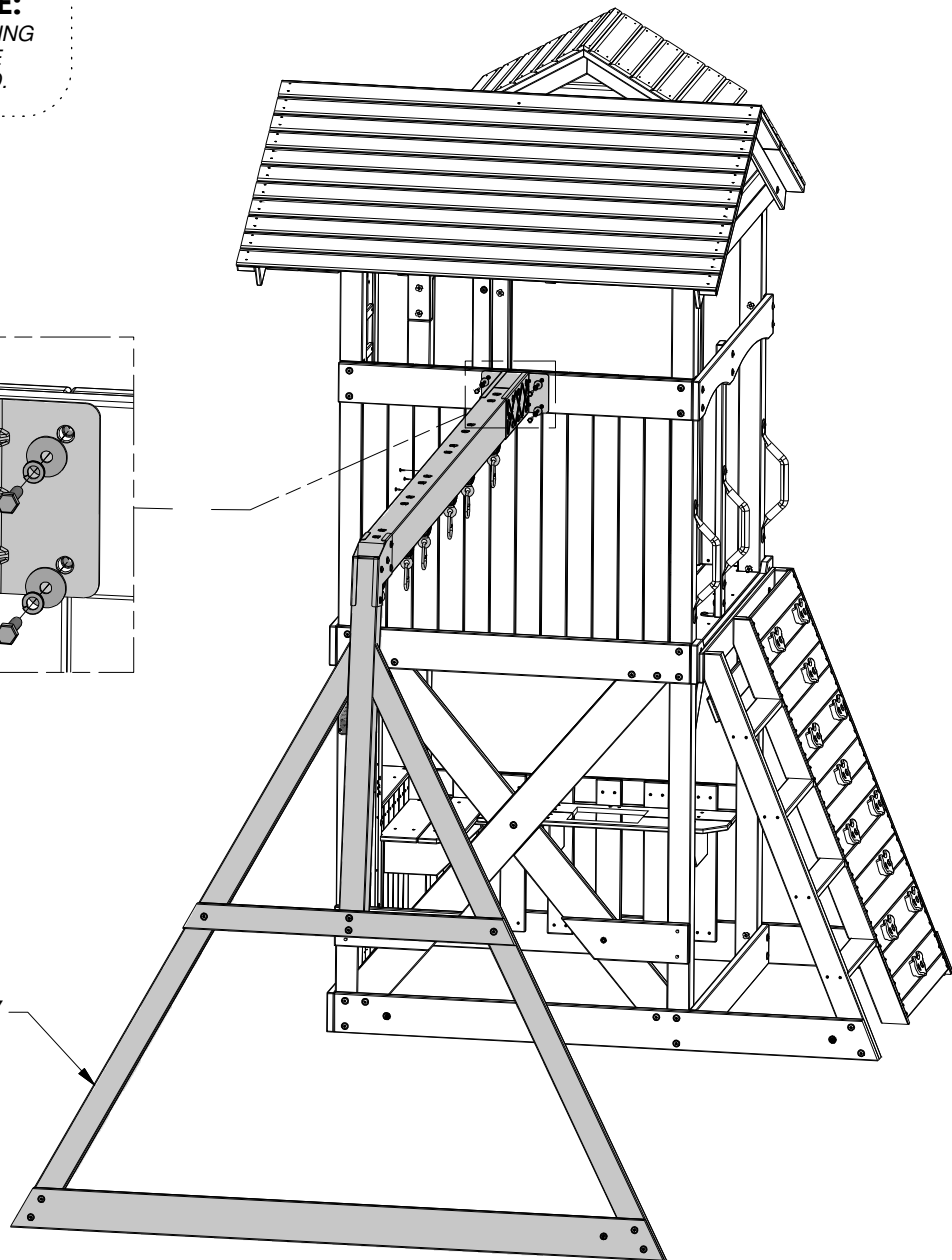
478 (x4)
WASHER - 8x27

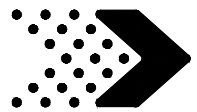
477 (x4)
WASHER - 5/16

481 (x4)
BOLT - 1 1/4"



SWING BEAM ASSEMBLY





Phase 6

STEP 6

A4M00927
(x4) **QUICK LINK SD**

A100164
(x1) **BYD ID TAG (LARGE) AGES 3-10**

A4M01005
(x4) **CHAIN GREEN 7mm x 1452mm (57in)**

A6P00362
(x2) **26" HD BELT SWING**

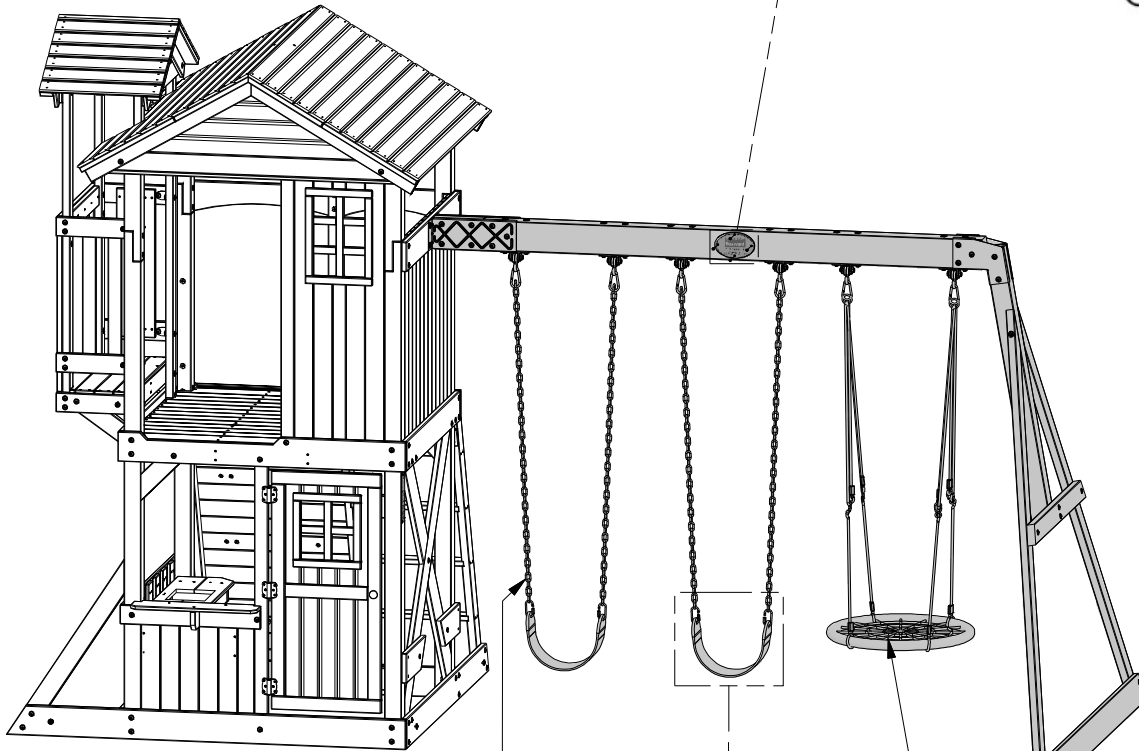
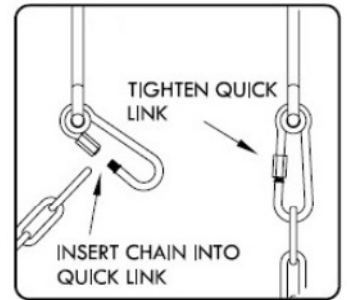


A4M01126
(x1) **26" WEB SWING**

H100202
(x4) **SCREW PWH BLK 8x5/8**

164 (x1)
BYD ID TAG (LARGE) AGES 3-10

202 (x4)
SCREW - 5/8"

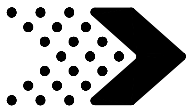


005 (x4)
CHAIN GREEN 7mm x 1452mm (57in)

927 (x4)
QUICK LINK SD

362 (x2)
26" HD BELT SWING

126 (x1)
26" WEB SWING



SETUP

WEB SWING

WEB SWING SETUP INSTRUCTIONS:

FOLLOW INSTRUCTIONS BELOW BEFORE USING THE WEB SWING.



H100832 | BOLT PTH
(4) | 1/4x3/4

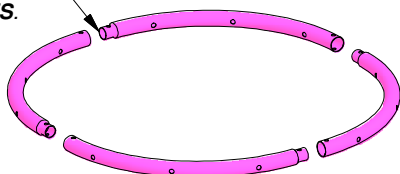


H100831 | NUT BARREL PTH BLK
(4) | 1/4x3/4

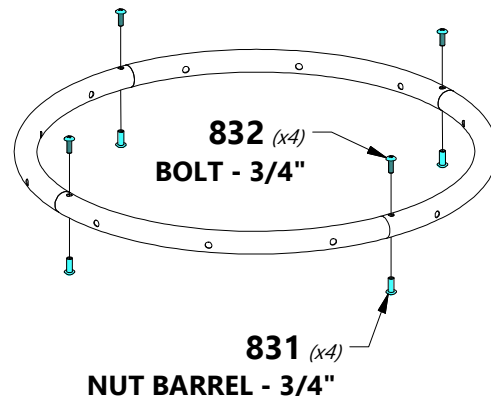


IMPORTANT:
SLIDE ROPE LOOPS OVER TUBE ENDS FIRST!

SLIDE NARROW END OF TUBES INTO LARGER OPENING AFTER SLIDING ROPE LOOPS ONTO TUBES.



NOTE: ROPE WEBBING NOT SHOWN IN ILLUSTRATION FOR CLARITY.



Note: It is important that the web swing hang level.



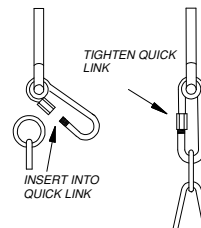
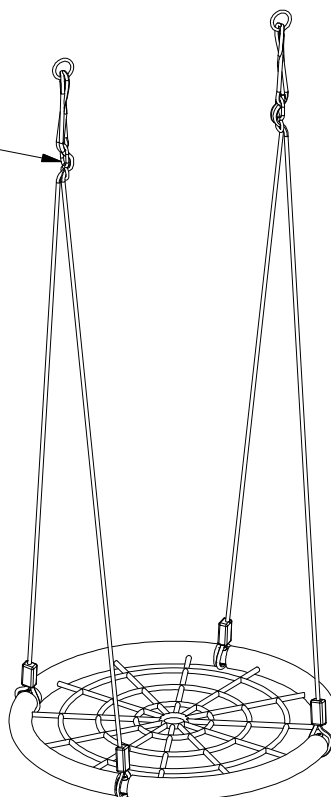
IMPORTANT

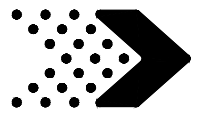
TO ENSURE STRAIGHT SWINGING MOTION, ADJUST BOTH "S" BRACKETS UNTIL WEB SEAT IS LEVEL.



IMPORTANT:

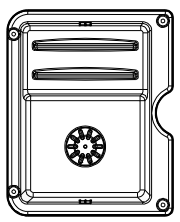
SWING MUST BE SET AT A MINIMUM OF 8 INCHES OFF THE GROUND WHEN INSTALLED.



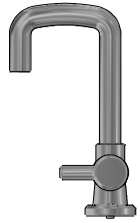


Phase 7

STEP 1



A6P00332 | PREMIUM SINK
(x1)



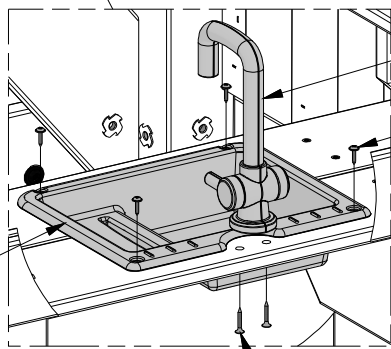
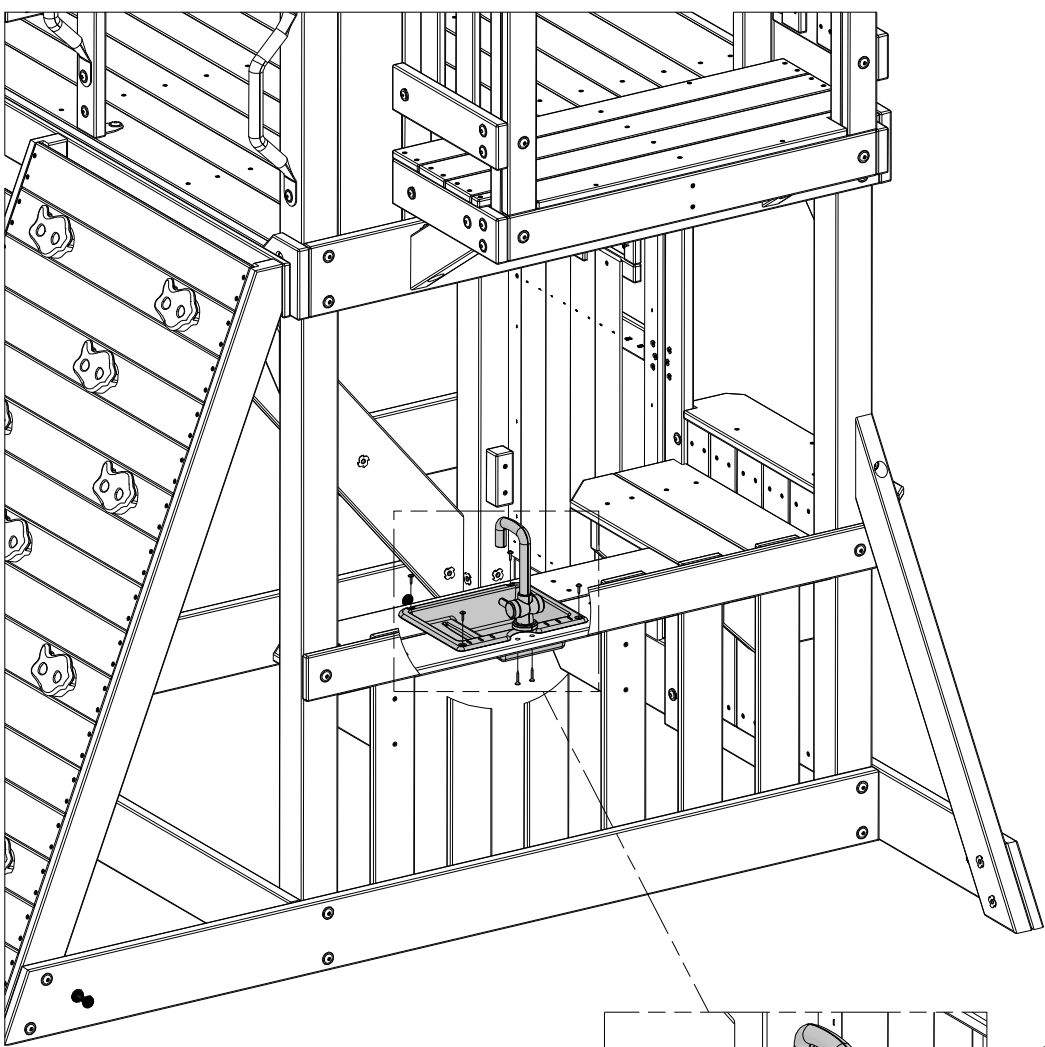
A6P00333 | FAUCET
(x1)



H100202 | SCREW PWH BLK
(x4) | 8x5/8



H100385 | SCREW PFH BLK
(x2) | 8x1

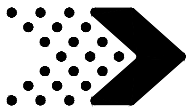


332 *(x1)*
PREMIUM SINK

333 *(x1)*
FAUCET

202 *(x4)*
SCREW - 5/8"

385 *(x2)*
SCREW - 1"



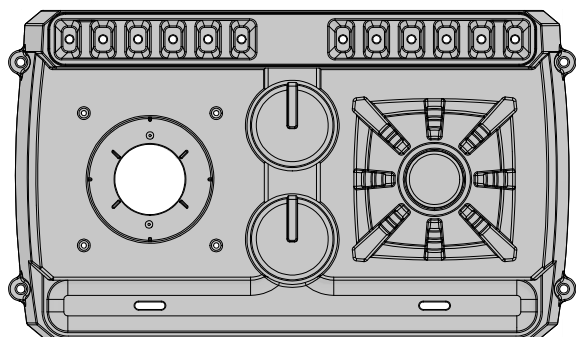
CLASS B DIGITAL DEVICE STATEMENT

Note:

This equipment has been tested and found to comply with the limits for a Class B digital device, pursuant to part 15 of the FCC Rules. These limits are designed to provide reasonable protection against harmful interference in a residential installation. This equipment generates, uses and can radiate radio frequency energy and, if not installed and used in accordance with the instructions, may cause harmful interference to radio communications. However, there is no guarantee that interference will not occur in a particular installation. If this equipment does cause harmful interference to radio or television reception, which can be determined by turning the equipment off and on, the user is encouraged to try to correct the interference by one or more of the following measures:

- Reorient or relocate the receiving antenna.
- Increase the separation between the equipment and receiver.
- Connect the equipment into an outlet on a circuit different from that to which the receiver is connected.
- Consult the dealer or an experienced radio/TV technician for help

Caution: Changes or modifications not expressly approved by the party responsible for compliance could void the user's authority to operate the equipment.



A6P00335 | STOVE BASE
(x1)



A6P00330 | INDUCTIVE BURNER KIT
(1)

ROTATE TO REMOVE COVER

"AA" BATTERY (x3)
(Not Included)

330 (x1)
INDUCTIVE BURNER KIT

ASSEMBLY NOTE:

ALWAYS WASH TOYS BEFORE USE.

- REMOVE THE FIRST COVER BY TWISTING IT COUNTER CLOCKWISE. REMOVE THE BATTERY COVER AND INSTALL THE BATTERIES (NOT INCLUDED). PUT THE BATTERY COVER BACK ON AND CONTINUE TO THE NEXT DIAGRAM.
- DO NOT MIX OLD AND NEW BATTERIES
- DO NOT MIX ALKALINE, STANDARD (CARBON-ZINC), OR RECHARGEABLE (NI-CAD, NI-MH, ECT.) BATTERIES.

335 (x1)
STOVE BASE

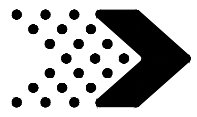
#4 X 5/8" SCREWS INCLUDED WITH THE STOVE KIT.

ASSEMBLY NOTE:

FIRST INSTALL THE COVER YOU REMOVED ABOVE WITH THE INCLUDED HARDWARE. INSTALL THE BURNER BY TWISTING IT CLOCKWISE TO LOCK IT IN PLACE.

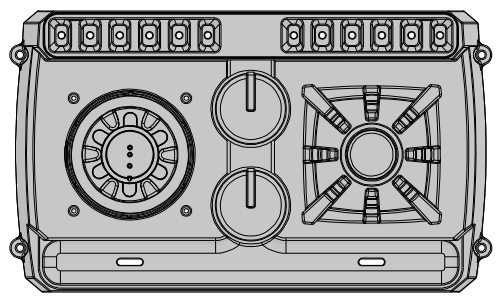
FCC LABEL

NOTE: THIS DEVICE COMPLIES WITH PART 15 OF THE FCC RULES. OPERATION IS SUBJECT TO THE FOLLOWING TWO CONDITIONS: (1) THIS DEVICE MAY NOT CAUSE HARMFUL INTERFERENCE (2) THIS DEVICE MUST ACCEPT ANY INTERFERENCE RECEIVED, INCLUDING INTERFERENCE THAT MAY CAUSE UNDESIRED OPERATION.



Phase 7

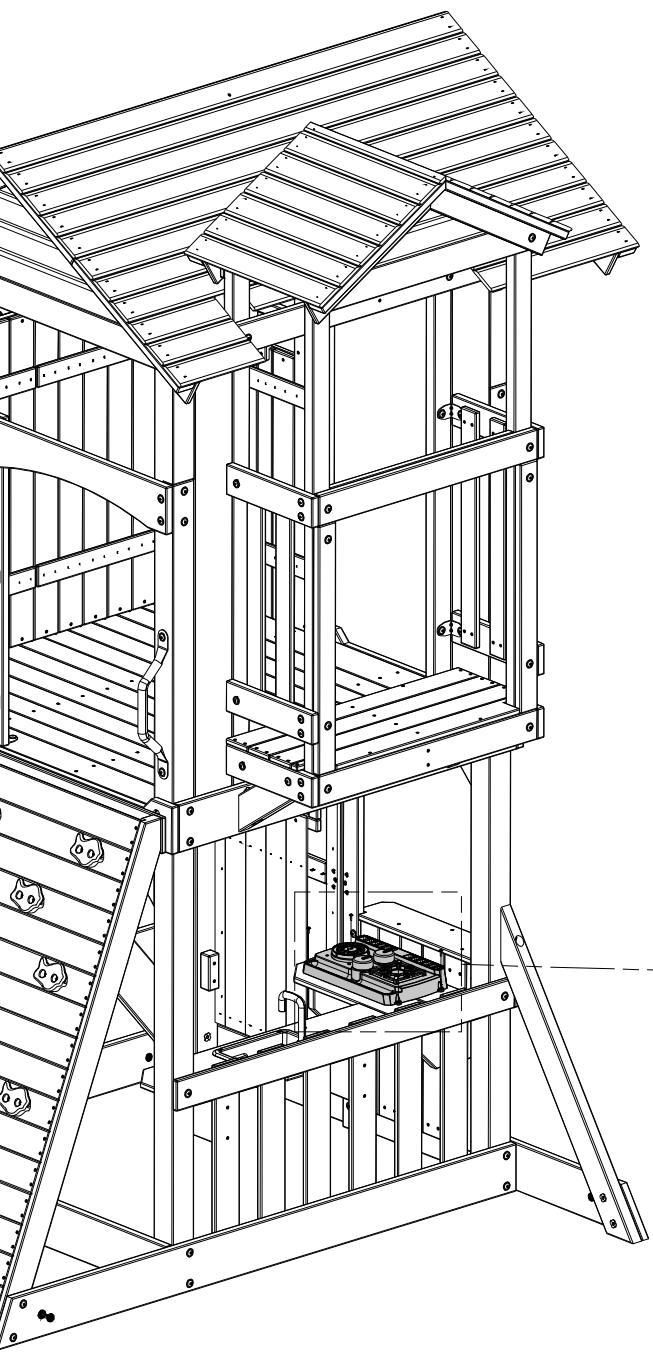
STEP 3



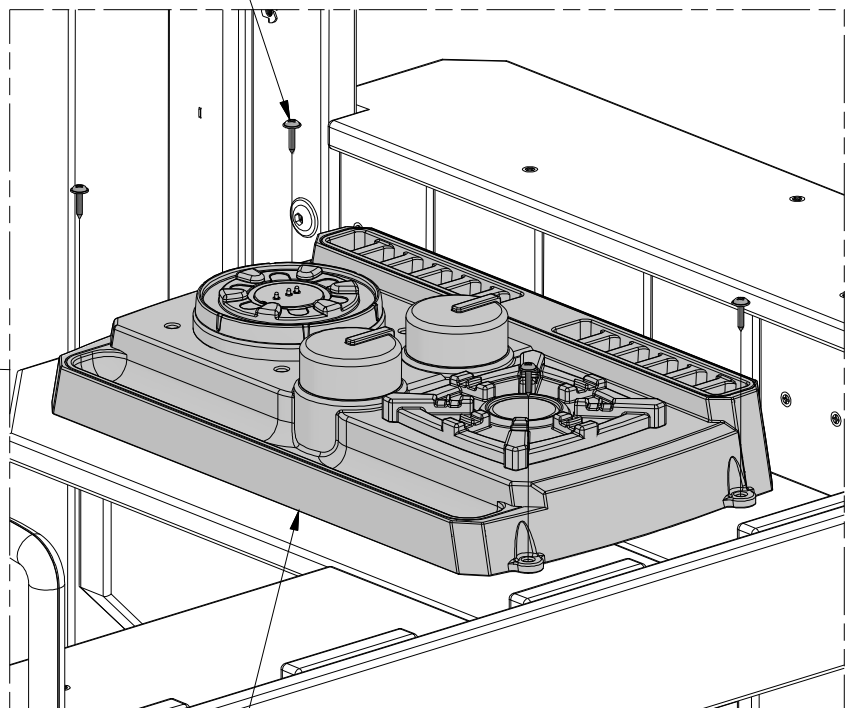
STOVE ASSEMBLY
FROM PREVIOUS STEP



H100202 | SCREW PWH BLK
(x4) | 8x5/8



202 (x4)
SCREW - 5/8"

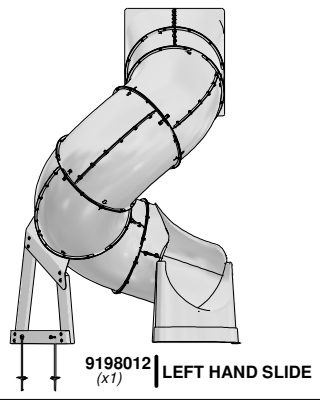


STOVE ASSEMBLY



Phase 8

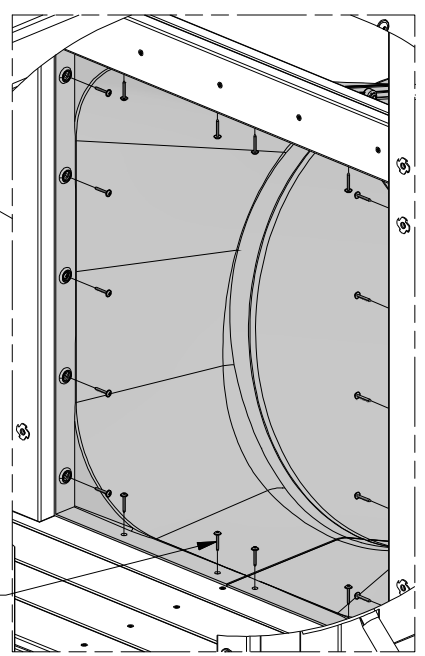
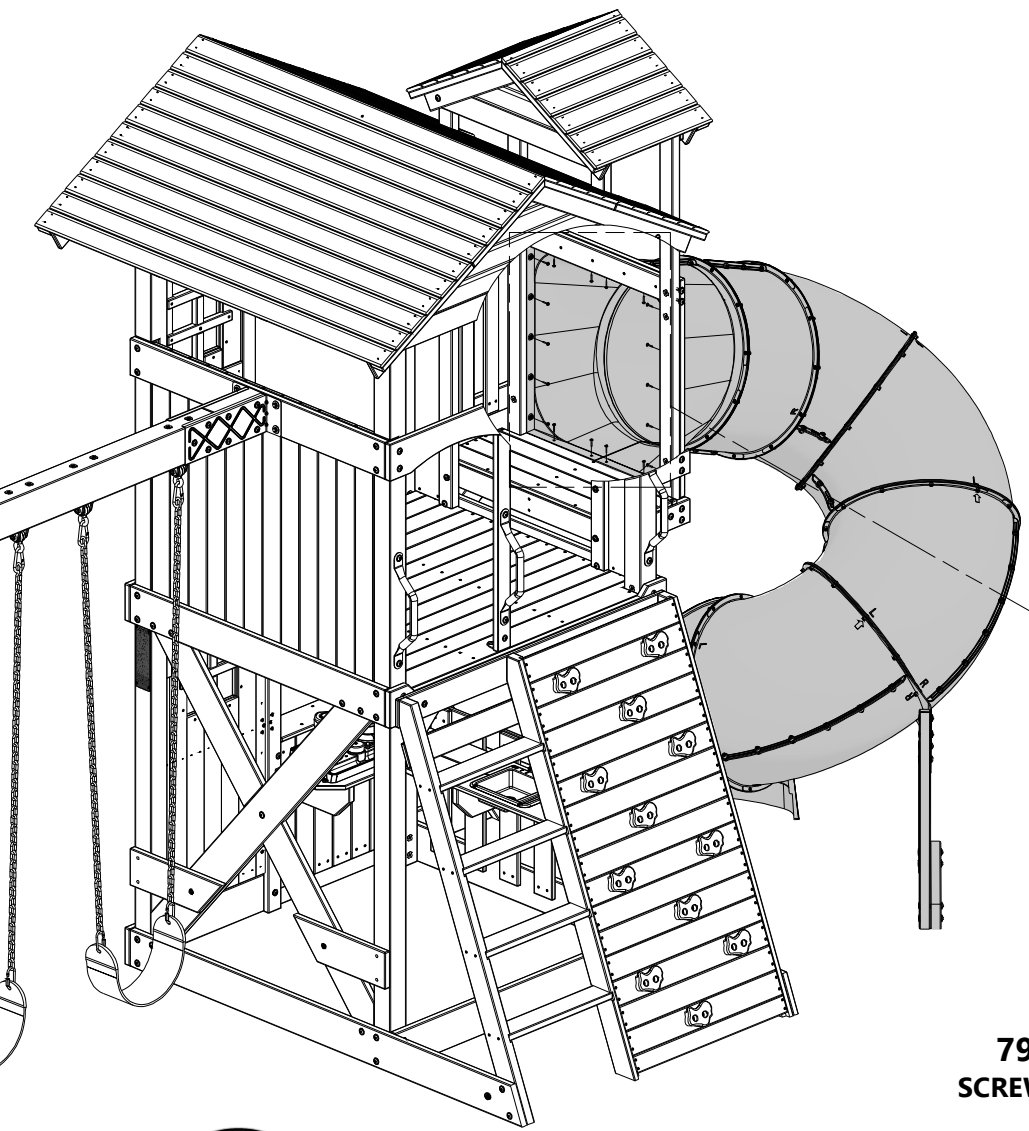
STEP 1



H100797 | SCREW PWH BLK
(x18) | 8x1

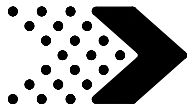
NOTE: FOR ASSEMBLY OF THE TUBE SLIDE, PLEASE REFER TO THE LEFT EXIT TUBE SLIDE ASSEMBLY MANUAL FOUND IN THE TUBE SLIDE BOX.

ASSEMBLY TIP:
PLACE THE SLIDE ALL THE WAY INSIDE THE OPENING AS SHOWN. MAKE SURE TO PRESS THE SLIDE IN EVENLY AS YOU INSTALL IT WITH THE PROVIDED HARDWARE.



797 (x18)
SCREW - 1"





Phase 9

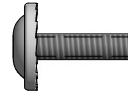
STEP 1



A100287 | SLIDE VF 10 FT
(x1)



O70 | SLIDE MOUNTING BOARD - W4L09040
(x1) | 5/8"x1 3/8"x20 3/8" (16x34x517)



H100008 | BOLT WH
(x3) | 5/16x1



H100031 | WASHER LOCK EXT
(x3) | 12x19



H100004 | NUT BARREL WH
(x3) | 5/16 x 5/8

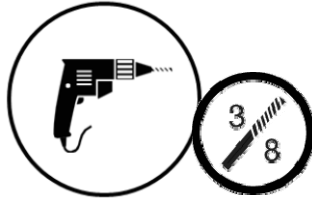
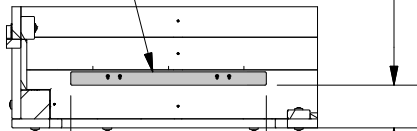


H100088 | SCREW PFH
(x4) | 8x1 1/8



ATTACH 'O70' BOARD FIRST

4 7/16 in
[113 mm]

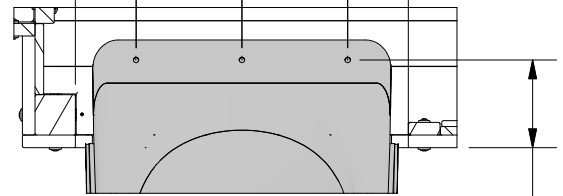


7 7/8 in
[200 mm]

7 7/8 in
[200 mm]

4 1/2 in
[115 mm]

4 1/2 in
[115 mm]



6 1/2 in
[166 mm]

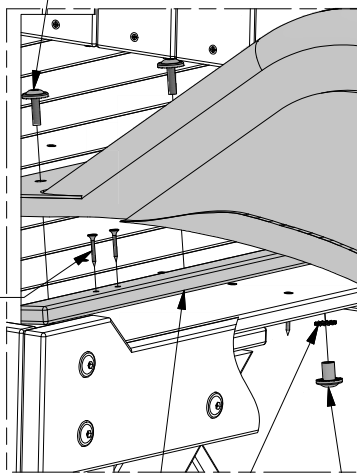


ASSEMBLY NOTE:

1. INSTALL 'O70' BOARD FIRST. NO DRILLING REQUIRED TO ATTACH 'O70' BOARD.

2. USING DIMENSIONS SHOWN DRILL (3) 3/8" (10mm) HOLES THROUGH THE FLOOR. ATTACHED SLIDE USING SUPPLIED HARDWARE.

008 (x4)
BOLT - 5/16x1"

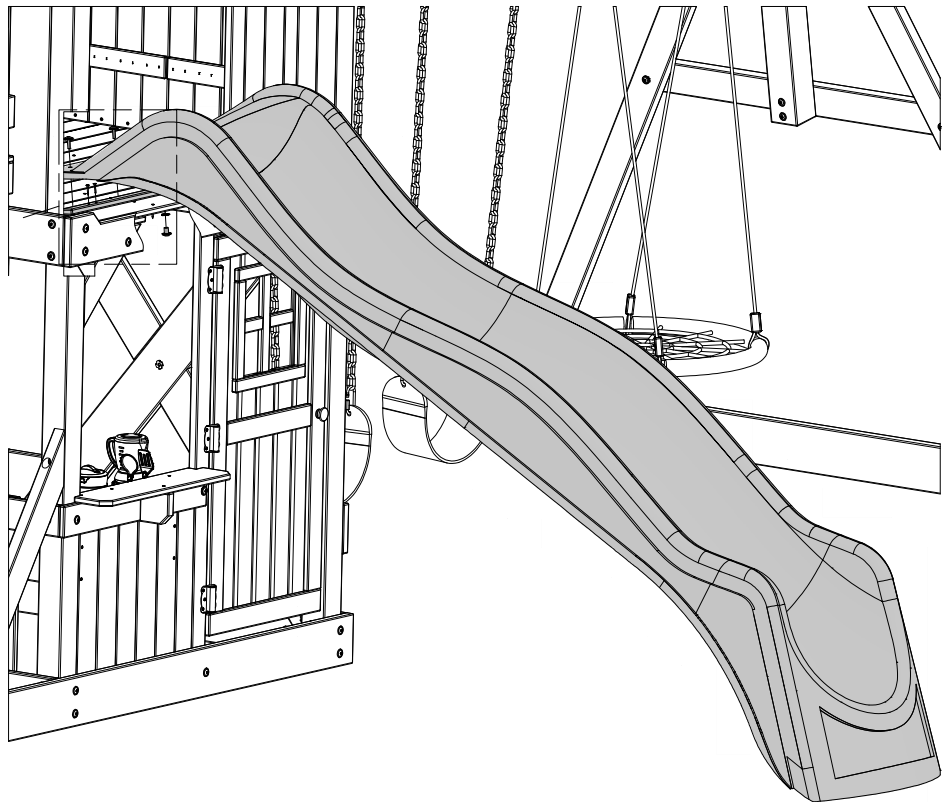


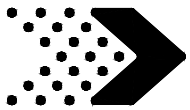
088 (x4)
SCREW - 1 1/8"

O70 (x1)
SLIDE MOUNTING BOARD

031 (x3)
WASHER - 12x19

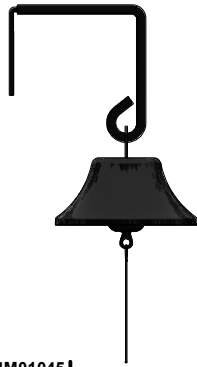
004 (x3)
NUT BARREL - 5/8"





Phase 9

STEP 2



A4M01045 (x1) BELL ASSEMBLY

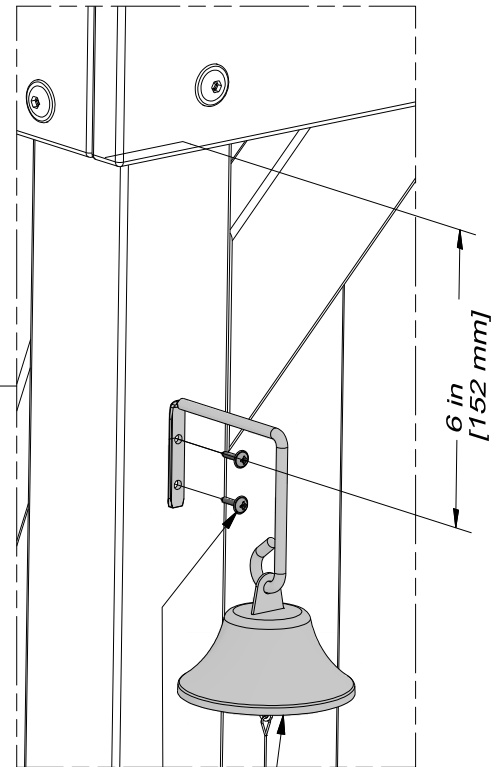
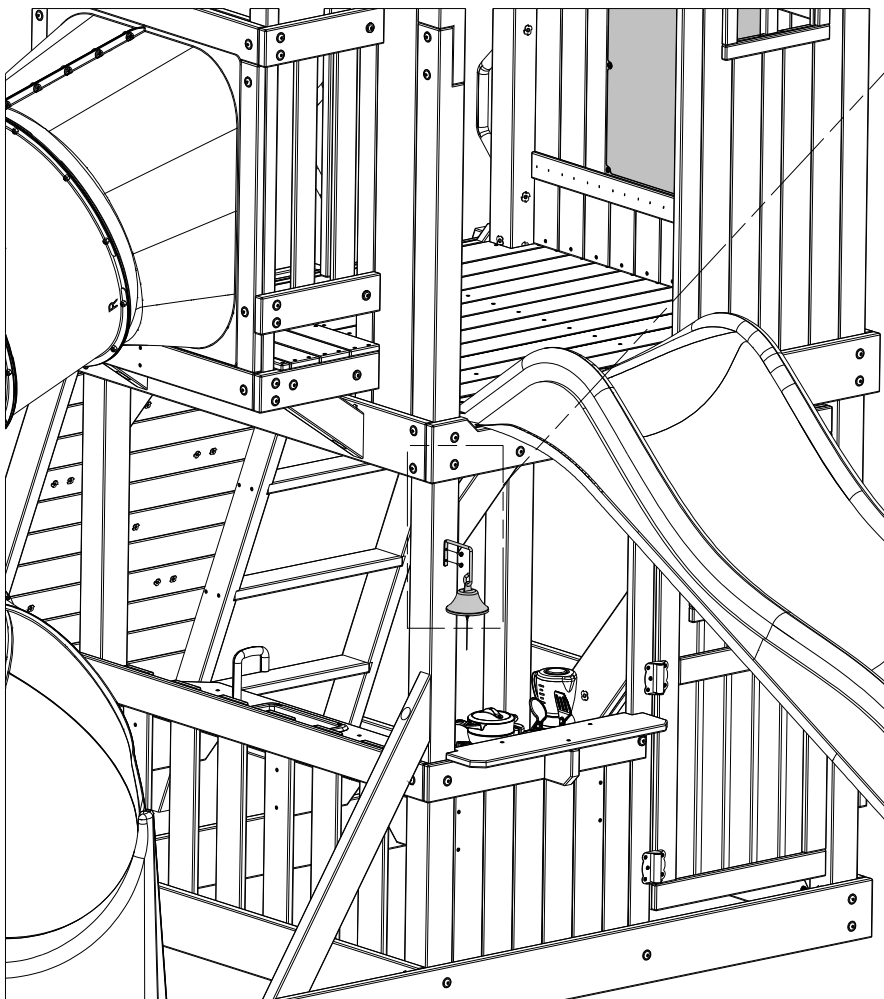


H100202 (x2) SCREW PWH BLK 8x5/8



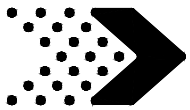
ASSEMBLY NOTE:

CENTER THE BELL ASSEMBLY ON THE POST AS SHOWN AND SET TO YOUR DESIRED HEIGHT.



202 (x2) SCREW - 5/8"

045 (x1) BELL ASSEMBLY



Phase 9

STEP 3



A6P00324 | CHALK BOARD LARGE
(x1)



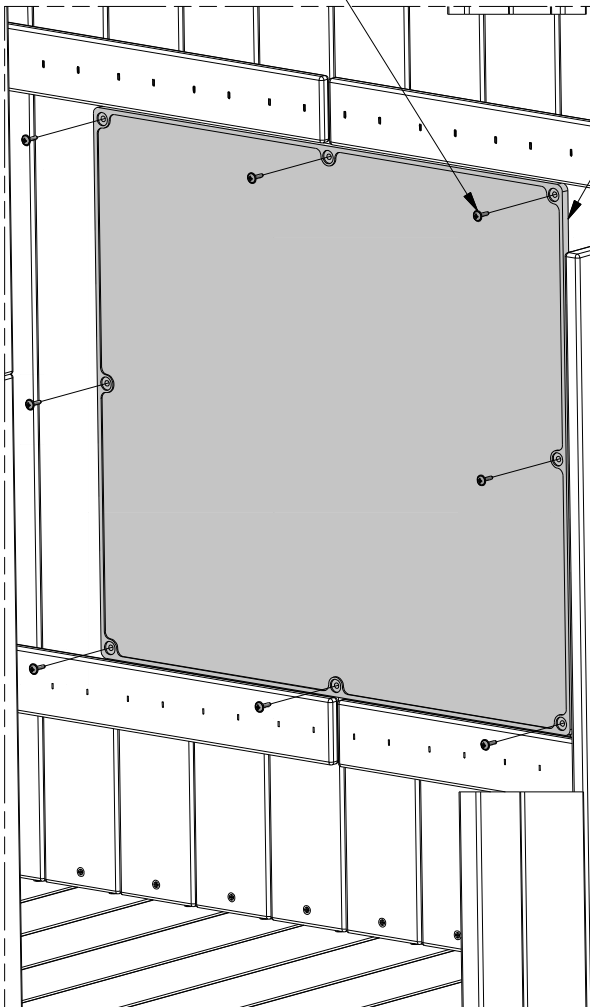
H100202 | SCREW PWH BLK
(x8) | 8x5/8



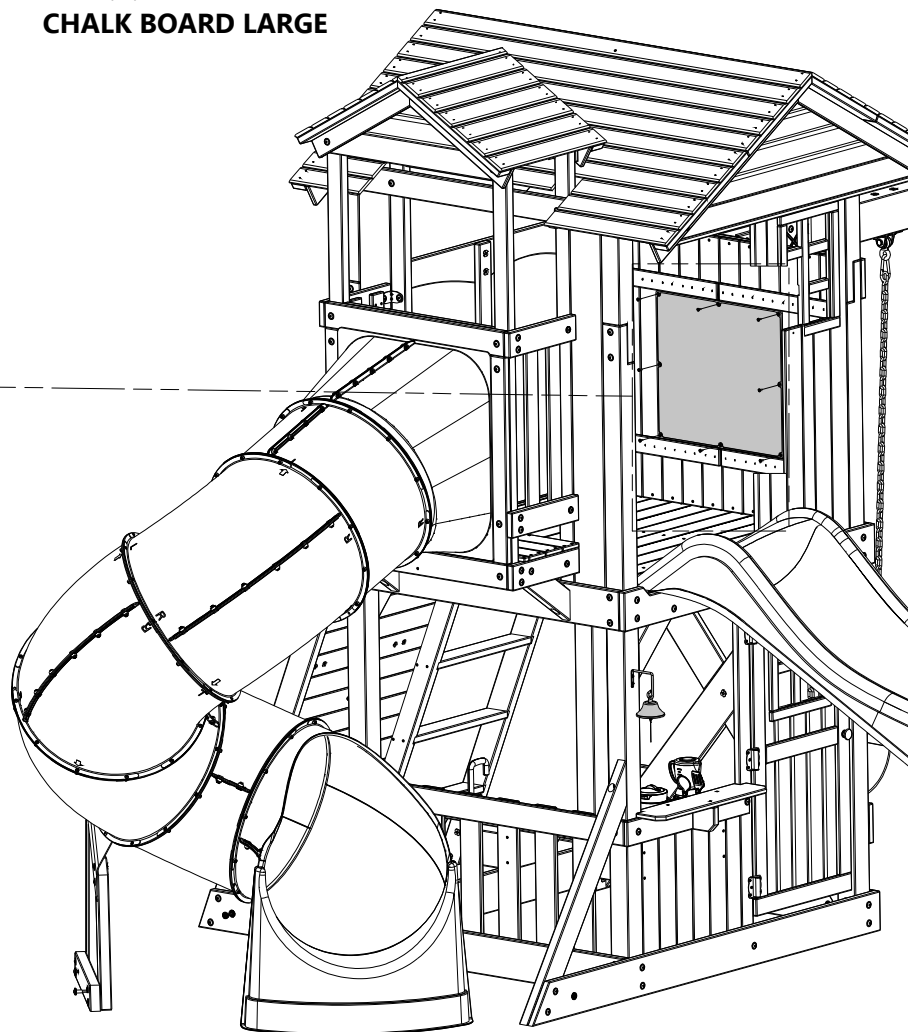
ASSEMBLY TIP:

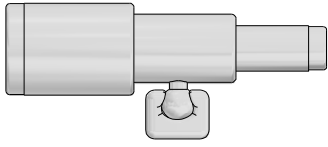
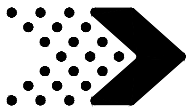
CENTER THE CHALK BOARD VERTICALLY AND HORIZONTALLY BETWEEN THE TWO WALL PANELS WHERE DESIRED AND MOUNT USING THE PROVIDED HARDWARE.

202 (x8)
SCREW - 5/8"



324 (x1)
CHALK BOARD LARGE

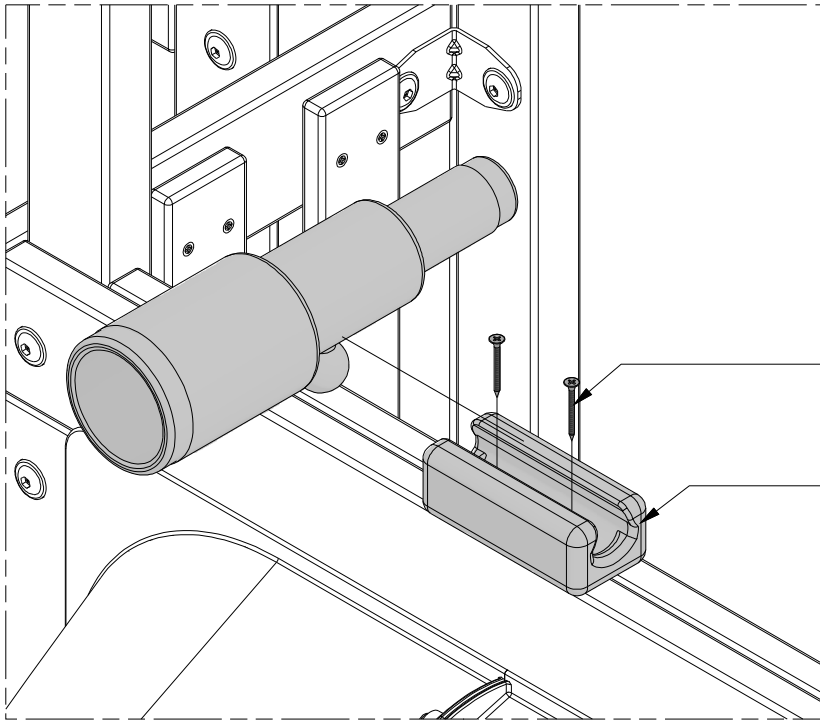




A6P00096 | TELESCOPE
(x1)

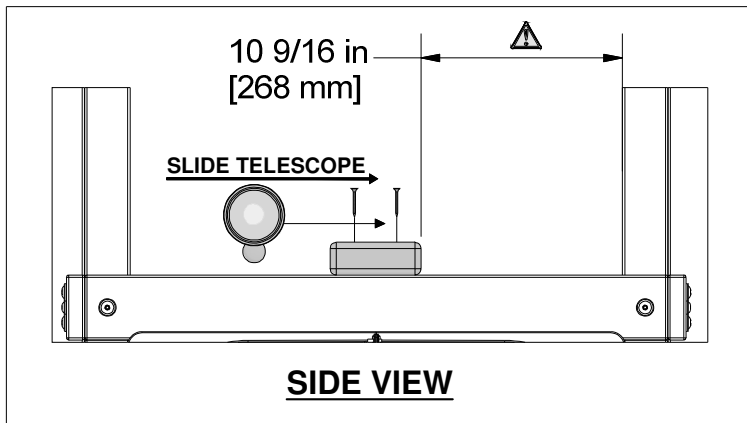
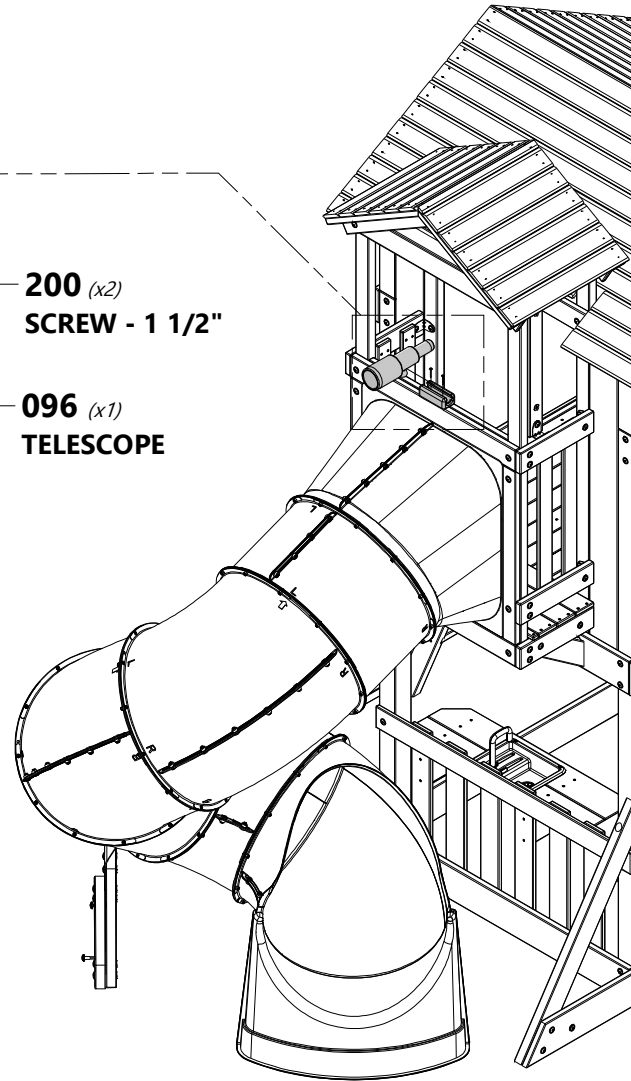


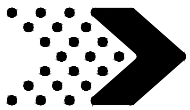
H100200 | SCREW PFH BLK
(x2) | 8x1 1/2



200 (x2)
SCREW - 1 1/2"

096 (x1)
TELESCOPE





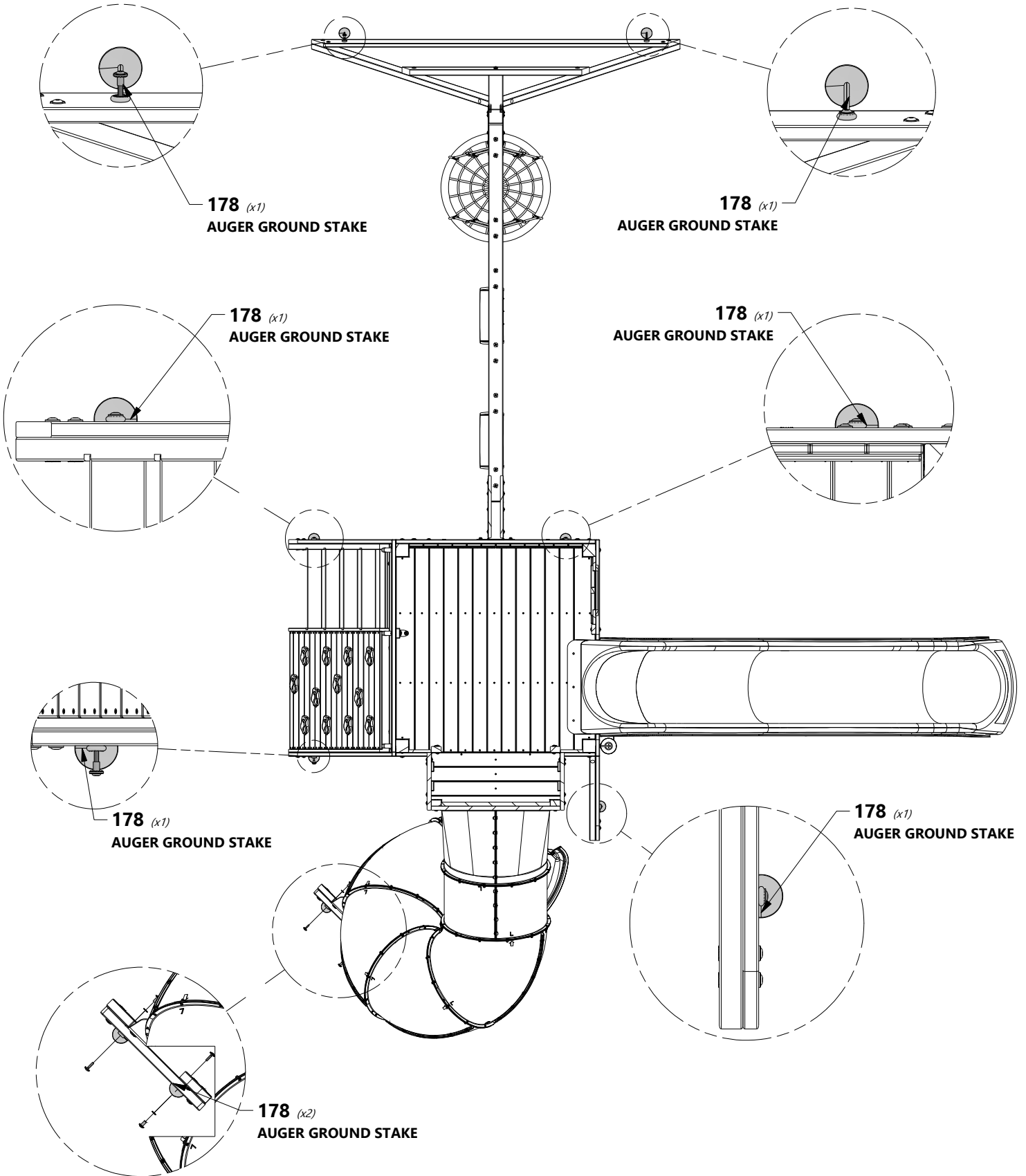
WARNING

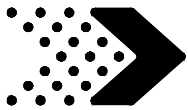
FAILURE TO USE GROUND STAKES CAN VOID WARRANTY & CAUSE INJURY!



ASSEMBLY TIP:

USE THIS PAGE TO GET FAMILIAR WITH THE LOCATIONS OF EACH GROUND STAKE BEFORE MOVING ON TO THE NEXT STEP.





Phase 10

STEP 2



A100178 (x6) | AUGER GROUND STAKE



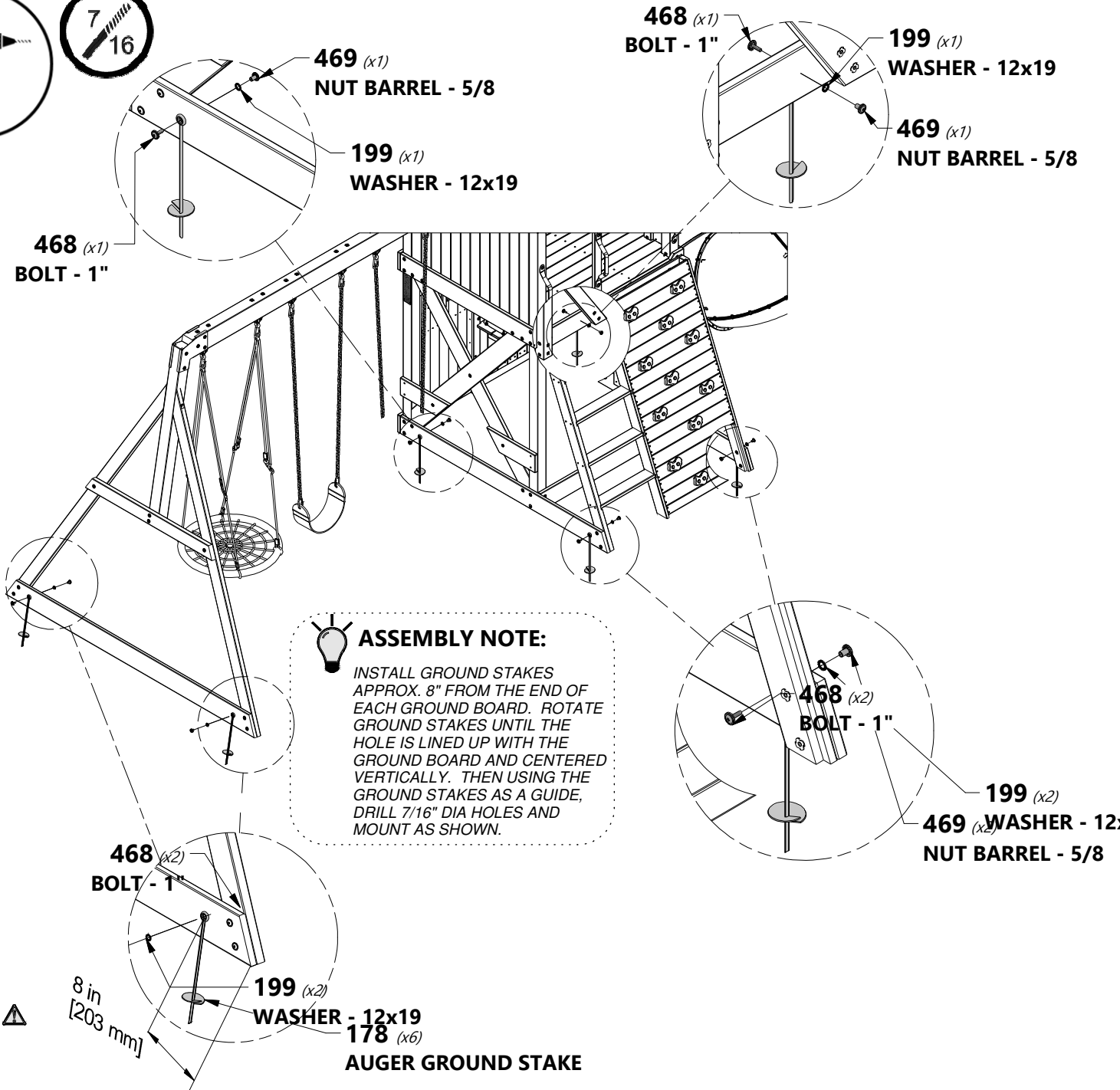
H100468 (x6) | BOLT WH BLK
5/16x1

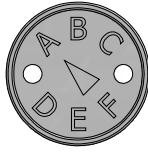
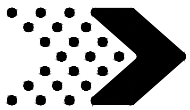


H100469 (x6) | NUT BARREL WH BLK
5/16x5/8



H100199 (x6) | WASHER LOCK EXT BLK
12x19



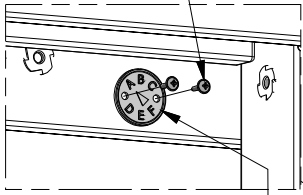


A100314 (x1) "A" REVISION TAG



H100202 | SCREW PWH BLK
(x2) 8x5/8

202 (x2)
SCREW - 5/8"



314 (x1)
"A" REVISION TAG

