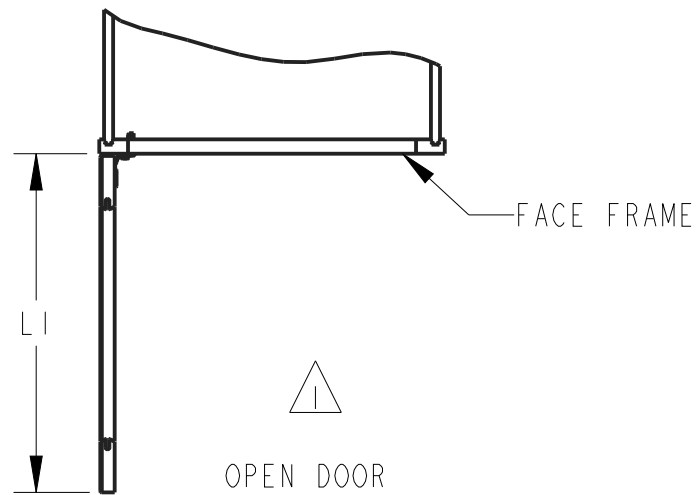
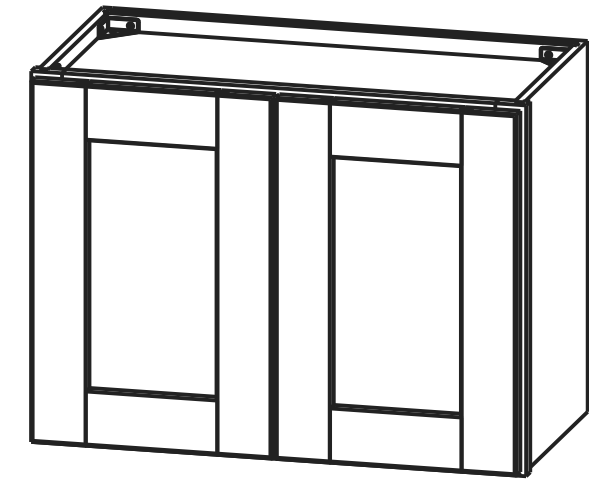
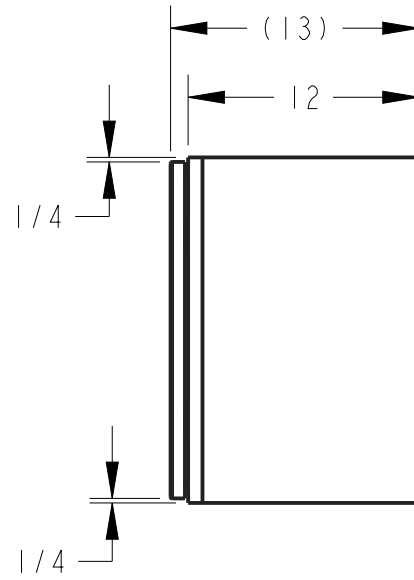
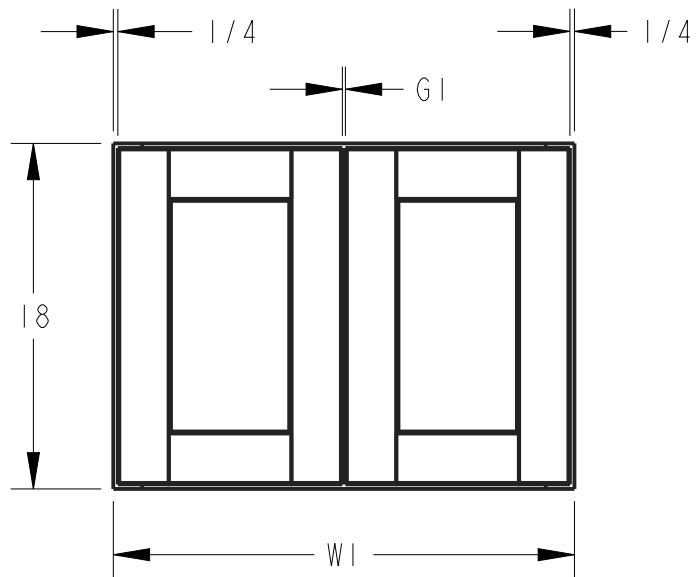


NOTES:

 OPEN DOOR VIEW INCLUDES HINGE SPACE OFFSET.



PRODUCT	WI	LI	GI	DOOR SIZE
			ROUNDED TO THE NEAREST 1/32	
W2418	24"	11 13/16"	(5/32")	11 11/16" X 17 17/32"
W3018	30"	14 13/16"	(5/32")	14 11/16" X 17 17/32"
W3318	33"	16 5/16"	(5/32")	16 3/16" X 17 17/32"
W3618	36"	17 13/16"	(5/32")	17 11/16" X 17 17/32"
W3918	39"	19 3/16"	(15/32")	19 1/6" X 17 17/32"

THIRD ANGLE PROJECTION



**hardware
resources**

MATERIAL

FINISH

N/A

N/A

DESCRIPTION

W3918, W3618, W3318, W3018, W2418
FULL_OVERLAY

PRODUCT SHOWN W2418

DOCUMENT STATUS Released

DRAWN BY
E.GOLESTANYAN

DATE
19MAR2020

DESIGNED BY
NORTHPOINT

DATE

DRAWING NUMBER
W3918-W3618W3318W3018W2418_FULL

REV
B

APPROVED BY
GREG DAVIS

DATE
27MAR2020

SIZE
A3

SCALE
0.111

SHEET
1 / 1

HARDWARE RESOURCES RESERVES THE RIGHT TO CHANGE SPECIFICATIONS WITHOUT NOTICE.
IN CASE OF A DISCREPANCY, ACTUAL PART GEOMETRY SUPERSEDES THIS DOCUMENT.

THE INFORMATION CONTAINED WITHIN THIS DRAWING IS THE SOLE PROPERTY OF HARDWARE RESOURCES INC. ANY REPRODUCTION IN PART OR WHOLE WITHOUT WRITTEN PERMISSION OF HARDWARE RESOURCES INC. IS PROHIBITED.