

Features

- 36" (914 mm) minimum base cabinet width
- Single bowl
- Single faucet hole
- 9" (229 mm) depth provides generous workspace
- Tightly angled fabricated corners maximize bowl space
- Two-piece colander set offers convenience while rinsing and draining (dishwasher-safe)
- Durable bamboo cutting board with silicone bumpers for added stability
- Accessories stack and slide to enhance food prep
- Dishwasher-safe silicone sink mat helps protect the sink as well as fragile dishes
- Sink strainer keeps large items from passing into the drain

Material

- Premium 18-gauge stainless steel
- KOHLER stainless steel sinks resist corrosion and tarnishing

Installation

- Top-mount or undermount
- Accessories slide on sink ledges when sink is top-mounted
- Cutting board slides across countertop when sink is undermounted

Recommended Products/Accessories

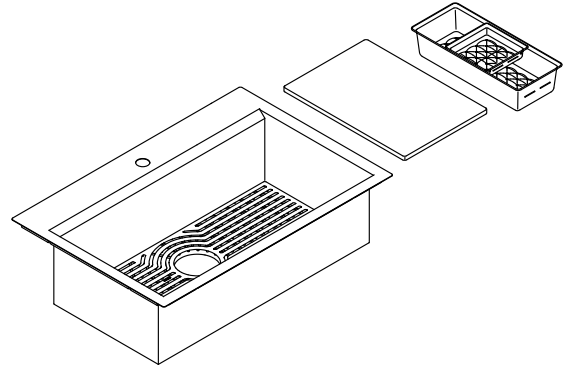
- K-23726 Drain treatment
- K-23729 Stainless steel cleaner

Optional Products/Accessories

- K-9000 P-Trap
- K-21616 Stainless steel sink rack
- K-8801 Sink drain and strainer with tailpiece
- K-8799 Sink drain and strainer basket
- K-11352 Disposal Flange with Stopper

Included Components

- K-21613 Bamboo cutting board
- K-21614 Colander set
- 7400 Stainless Steel Sink Drain and Strainer
- K-78956 Silicone sink mat

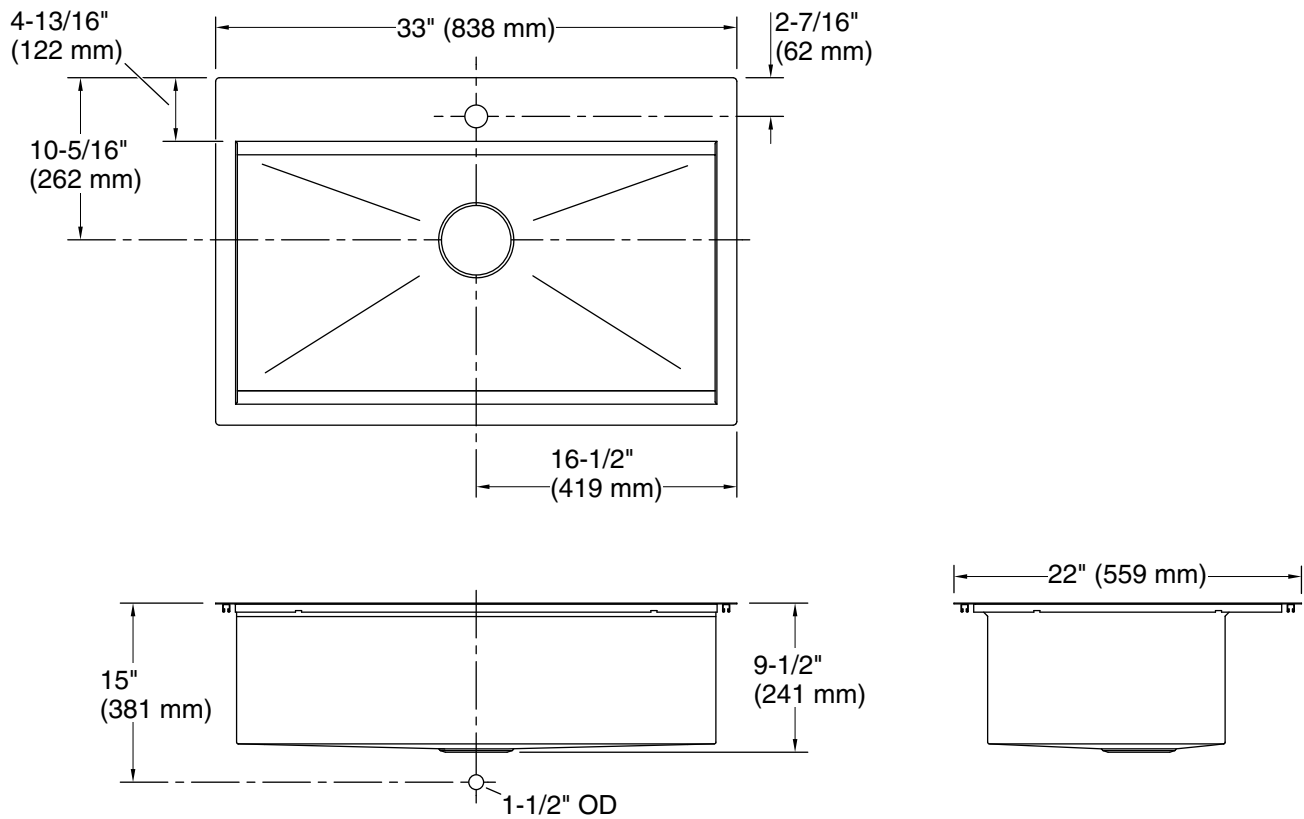


Codes/Standards

ASME A112.19.3/CSA B45.4

KOHLER® Stainless Steel Sinks Lifetime Limited Warranty

See website for detailed warranty information.



Technical Information

All product dimensions are nominal.

Basin configuration: Single Bowl

Min. base cabinet width: 36" (914 mm)

Bowl area (Only): Length: 30-1/4" (768 mm)
 Width: 14-15/16" (379 mm)
 Bowl depth: 9-3/16" (233 mm)

Number of deck holes: 1

Faucet hole(s): 1-7/16" (37 mm)

Drain hole: 3-5/8" (92 mm)

Template: Top-mount/Undermount, 1130821-7, required, included

Notes

Install this product according to the installation instructions.