

# ASSEMBLY INSTRUCTION

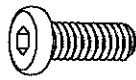
## SMALL BOOKCASE LAGRE BOOKCASE

**A** Allen Wrench



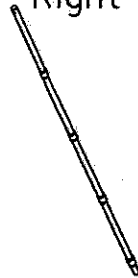
1PC

**B** Bolt



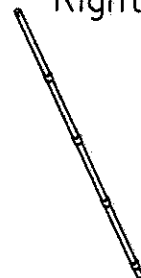
24PCS

**C** Leg Left &  
Right



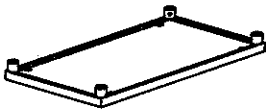
2PCS

**D** Leg Left &  
Right



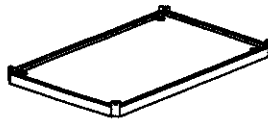
2PCS

**E** Top Panel



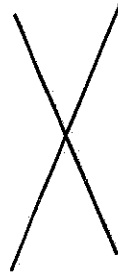
1PC

**F** Shelf Panel



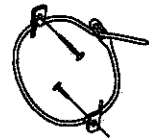
4PCS

**G** Cross Bar

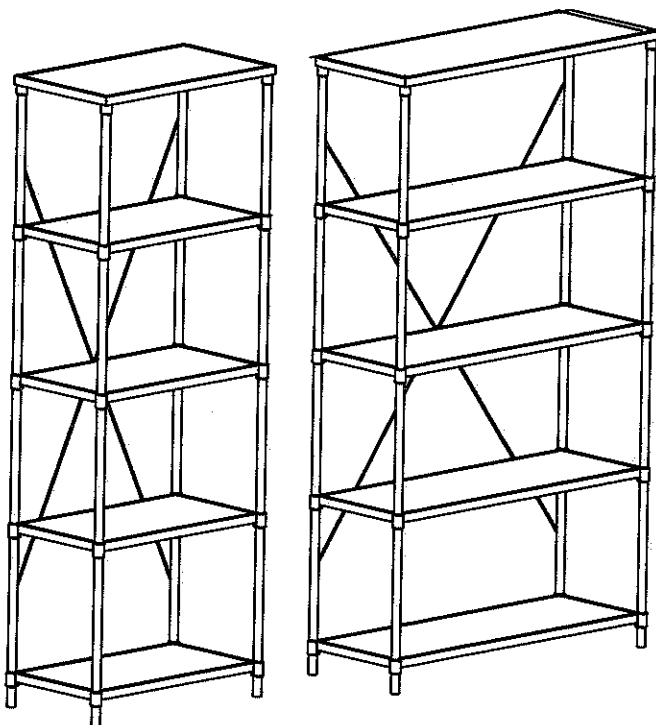


1PC

**H** Tip Restraint  
Kit

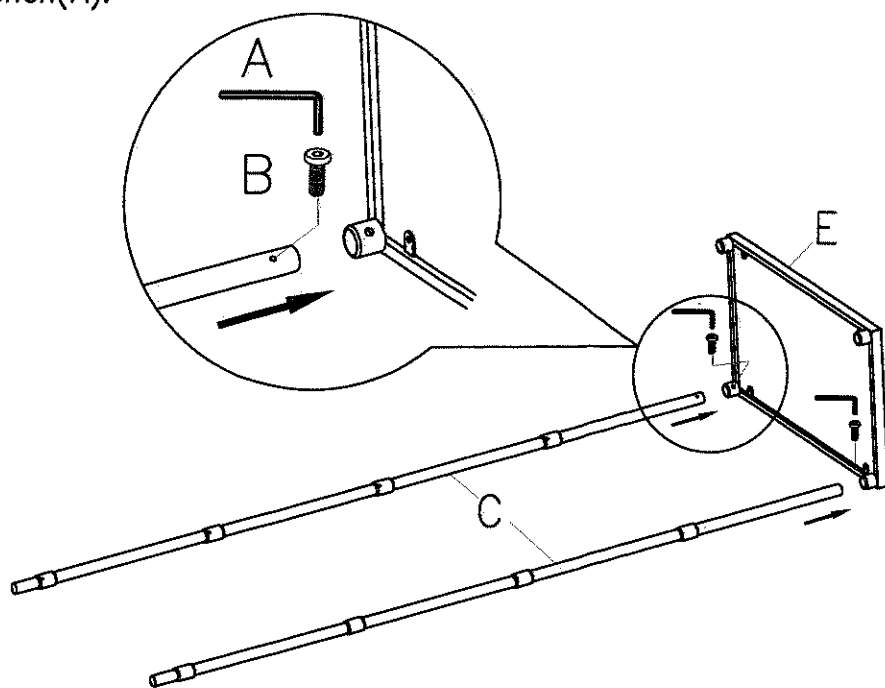


1PC

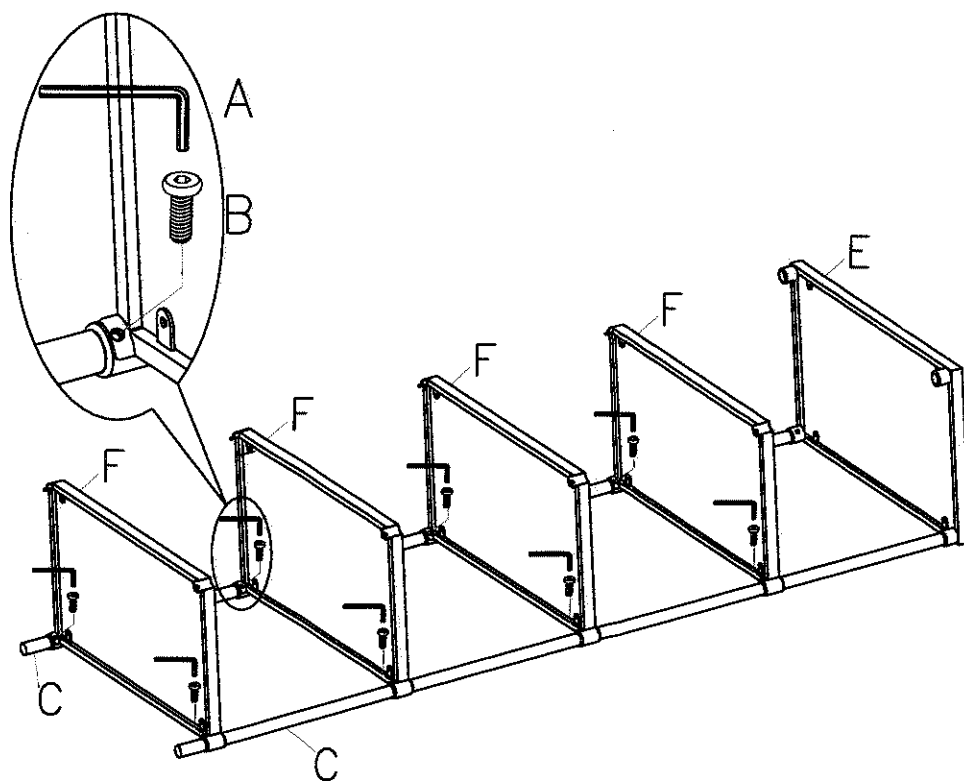


This page lists all the contents included in the box. Please take the time to identify the hardware as well as the individual components to this product. As you unpack and prepare for assembly, place the contents on a carpeted or padded area to protect them from damage.

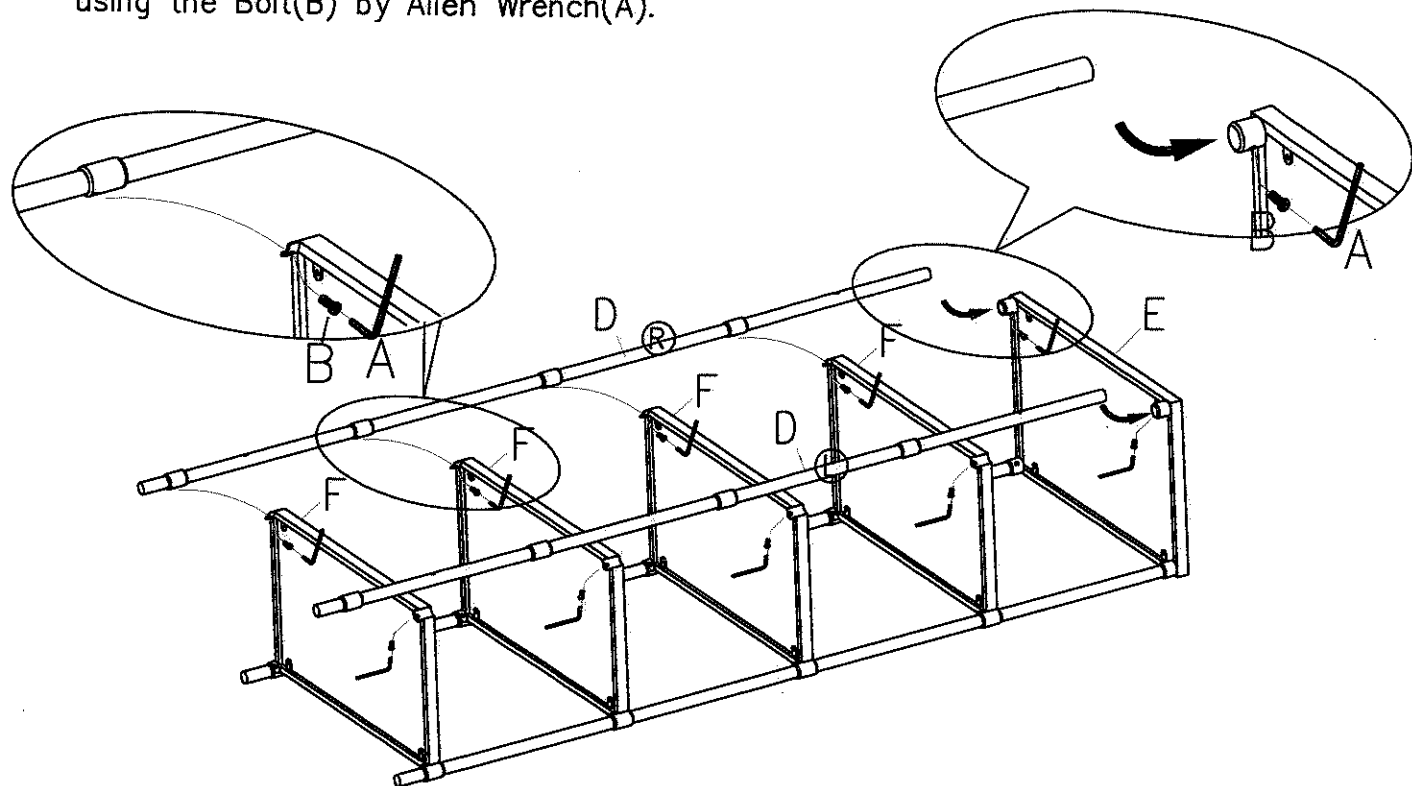
- 1** Assemble the Leg Left & Right(C) onto the Top Panel(E), then using the Bolt(B) by Allen Wrench(A).



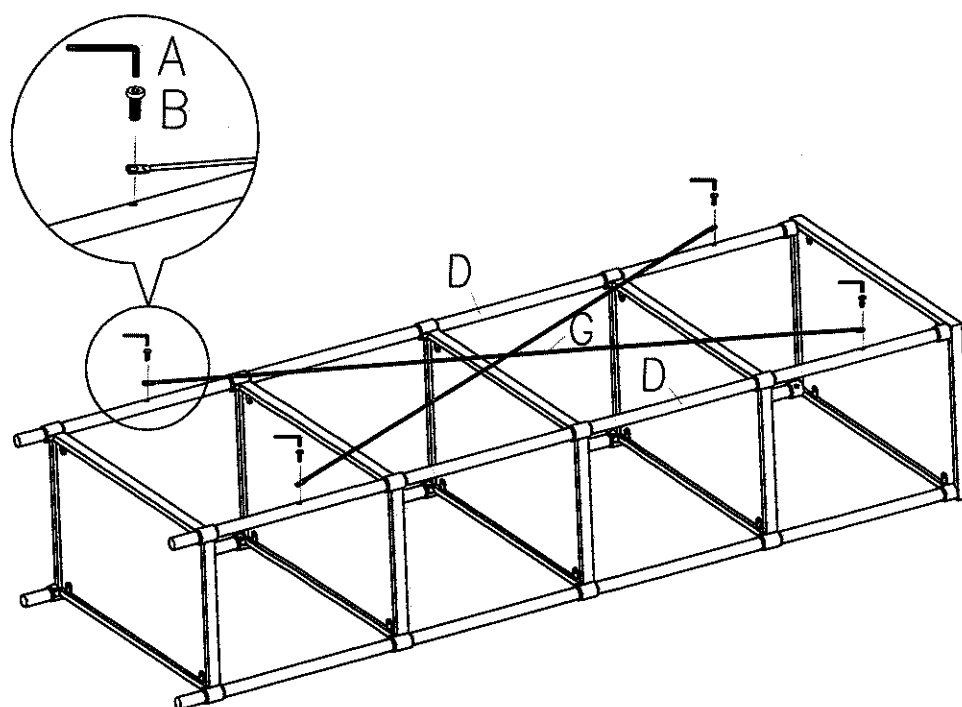
- 2** Assemble the Shelf Panel(F) onto the Leg Left & Right(C), then using the Bolt(B) by Allen Wrench(A).



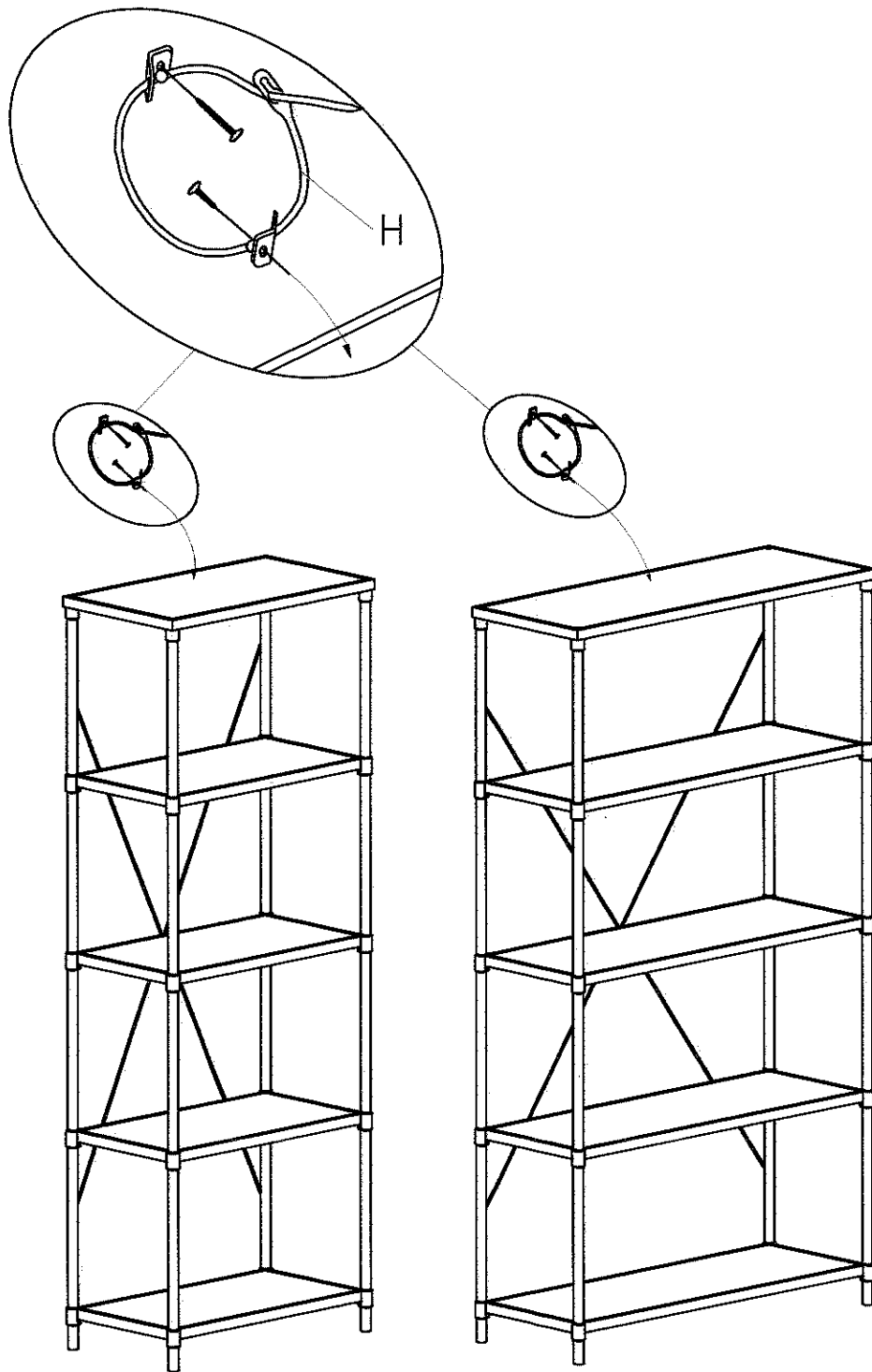
- 3** Assemble the Leg Left & Right(D) onto the Top Panel(E) and Shelf Panel(F), then using the Bolt(B) by Allen Wrench(A).



- 4** Assemble the Cross Bar(G) onto the Leg Left & Right(D), then using the Bolt(B) by Allen Wrench(A).



- 5** Assemble the Tip Restraint Kit(H) between the Top Panel(E) and the wall.  
The assembly is complete.



### Cleaning & Care

Treat surface with care. Surface is resistant to scratches but is not scratch resistant. Clean surfaces with a dry or damp soft cloth. Do not use abrasive cleaners. Hardware may loosen over time. Periodically check that all connections are tight.