



Edgelit **LED** Panel
TPC Select



**2x2,
1x4, 2x4***
CCT & Wattage
Selectable

3.5K
4K
5K
25W
30W
40W

*2x4 Wattages are 30W, 40W, and 50W

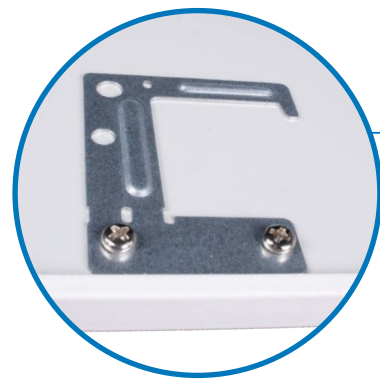
**Built for Performance,
Efficiency, and Long Life**

TPC Select

Edgelit LED Panel

Low Profile and Low Cost Solution

The ultra slim, TPC Select Edgelit Panel provides uniform edge-to-edge illumination for a modern, clean aesthetic that eliminates shadowing. It installs easily into tight ceiling spaces, making it an ideal replacement for traditional fluorescent fixtures, and includes built-in T-Grid clips for a more secure installation and added safety. The CCT Selectable design allows for easy adjustment to 3500, 4000, or 5000k. The TPC is available in 1x4, 2x2 and 2x4 configurations and has optional accessories for surface mount or recessed flange mount applications as well as emergency battery backup.



Integrated T-Grid Clips

T-Grid clips allow for secure installation with available mounting holes for seismic wire.



3.5K 4K 5K

Selectable CCT

External switch allows easy CCT Selection: 3500K, 4000K or 5000K



25W 30W 40W
30W 40W 50W

Selectable Wattage

External switch allows easy Wattage Selection: 25W, 30W and 40W for 2x2 & 1x4, 30W, 40W and 50W for 2x4

Edge lit LED Technology

Precision engineered MS light guide prevents yellowing and crazing, while providing high uniformity and reduced glare



Precision Optics

Advanced optical design generates even light distribution, eliminates shadowing, and provides glare-free illumination

TPC Select

Product Information

Construction

- Extruded aluminum with powder coat finish
- Coated backplate increases fixture rigidity

Optical System

- Edge lit LED technology
- Precision engineered MS light guide for high efficiency transmission

Electrical

- Input voltage of 120-277VAC
- Driver delivers full-range dimming from 0 - 10VDC
- Operating temperature rating of 0°F to 100°F (-18°C to 38°C)
- Selectable wattage: 25W, 30W, and 40W (2x2 & 1x4) and 30W, 40W, and 50W (2x4)
- Meets FCC Part 15B Class A requirements
- TM-21 Reported L70(6k) life >50,000 hours
- LM-79, LM-80 testing performed in accordance with IESNA standards

LED

- Selectable CCT: 3500K, 4000K, or 5000K

Installation

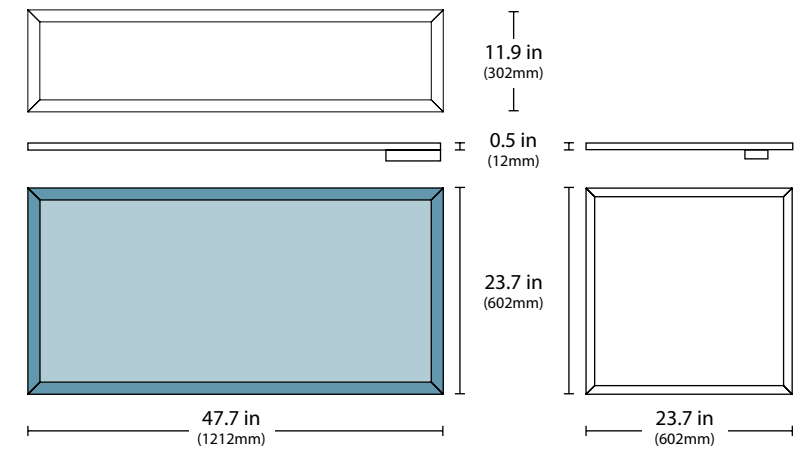
- Integral T-Grid clips with mounting holes for seismic wire
- Junction box with multiple knockouts mounted to back of fixture for easy installation
- Certified for direct contact with insulation
- For installations where power surge may be possible, NICOR recommends installing additional surge protection at the electrical distribution panel

Finish

- Matte white powder coat finish

Warranty

- 5-year limited system warranty standard
- Warranty does not cover product failure due to an overvoltage event (power surge.)



Performance Data

Model #	Nominal CCT(K)	Lumens (Lm)	Watts (W)	Lumens/Watt
TPCS124	3000	5511	49.5	111.3
		4664	40.1	116.3
		3681	30.7	120.1
	4000	5330	47.5	112.2
		4699	40.1	117.2
		3708	30.7	120.9
TPCS122	3000	5510	49.6	111.1
		4654	40.1	116.0
		3673	30.7	119.8
	4000	4352	39.2	111.0
		3467	29.9	116.0
		2986	25.2	118.5
TPCS114	3000	5010	38.5	130.2
		4082	30.2	135.2
		3502	25.4	137.7
	4000	4354	39.3	110.9
		3500	30.2	115.9
		3012	25.4	118.4
TPCS112	3000	4618	39.6	126.1
		3679	30.2	131.1
		3169	25.4	135.0
	4000	4787	38.5	138.2
		3914	30.2	144.3
		3367	25.4	151.9
5000	4649	39.7	126.4	
	3691	30.2	131.5	
	3179	25.4	135.6	

Ordering Information

Series	CCT	Version	Size	Voltage	Emergency
TPC	S (Selectable: 3000, 4000, 5000K)	1 (1.0)	24 (2' x 4')	U (120-277V)	_(None)
			22 (2' x 2')		E1 (EMB45)
			14 (1' x 4')		E2 (EMB80)
					E3 (EMB250)

Specifications and dimensions subject to change without notice.

Warehouse Locations

Albuquerque, NM
Atlanta, GA
Detroit, MI
Folcroft, PA
Houston, TX

Indianapolis, IN
Lombard, IL
Miami, FL
Syracuse, NY
Van Nuys, CA

T 800.821.6283

F 800.892.8393

www.nicorlighting.com

2200 Midtown Pl. NE
Albuquerque, NM 87107 USA



LIT-TPC-Select-10PK
20200212

©2019 NICOR® • ALL RIGHTS RESERVED

NICOR® | select