

5 GALLON LID

TYPICAL SPECIFICATIONS

FEATURES

Polished surface provides attractive appearance

Hot fill capability up to 180 degrees with appropriate materials, freezer application

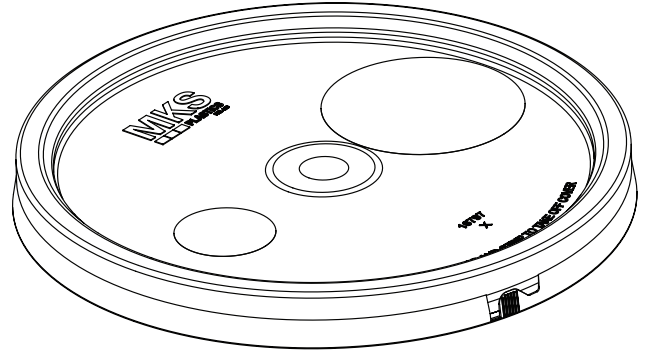
Flexspout

Vent - 3/4" plastic Vent • Tint Plug - 63mm plastic tint plug

EDPM Tubular Rubber Gasket

EAGLE GMP Audit including HACCP principles

Tear Tab Strip included



PACKAGING

Pack Dimensions	37.25" x 50" x 23.5"
Cubic Feet	51.3
Lids per bundle	240
Lids per pallet	1200
Bundles per pallet	5

DIMENSIONS

Height	1.170"
Total Diameter	12.057"
Bottom External Diameter	12.236"
Thickness	90 mil

AVAILABLE COLORS:

005 Natural	003 White	017 Silver	004 Silver	009 Yellow	0015 Yellow	026 Orange	027 Orange
014 Orange	007 Red	021 Red	013 Red	023 Brown	022 Pink	019 Purple	028 Blue
012 Blue	025 Blue	001 Blue	024 Blue	010 Green	018 Green	020 Green	002 Black

Note: Some specifications are typical and may change slightly within tolerances.

DISTRIBUTED BY:



REF NO.:

DWG31254

DESCRIPTION:

20 Liter HDPE Cover with Rieke FlexSpout, EPDM Gasket

DISCLAIMER

THIS INFORMATION IS PROVIDED AS A GENERAL GUIDE, INCLUDING DIMENSIONS. IT IS THE CUSTOMER'S RESPONSIBILITIES TO SELECT THE PROPER CONTAINER FOR PRODUCT AND APPLICATION COMPATIBILITY.