

### Features

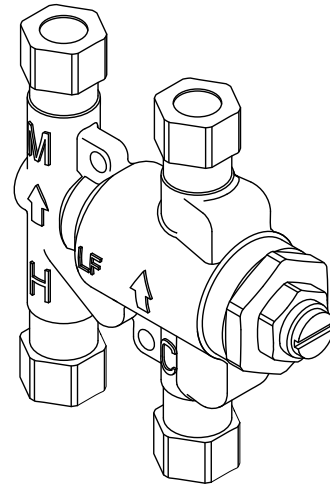
- Includes tamper resistant locking nut to prevent accidental misadjustment
- Built-in check valves prevent migration of hot water to cold and cold water to hot water piping
- Provided with cap for three port application
- Integral strainer with 40 mesh stainless steel screens to filter

### Material

- Lead Free\* Brass body construction

### Installation

- Installs easily between the stop valves and faucet

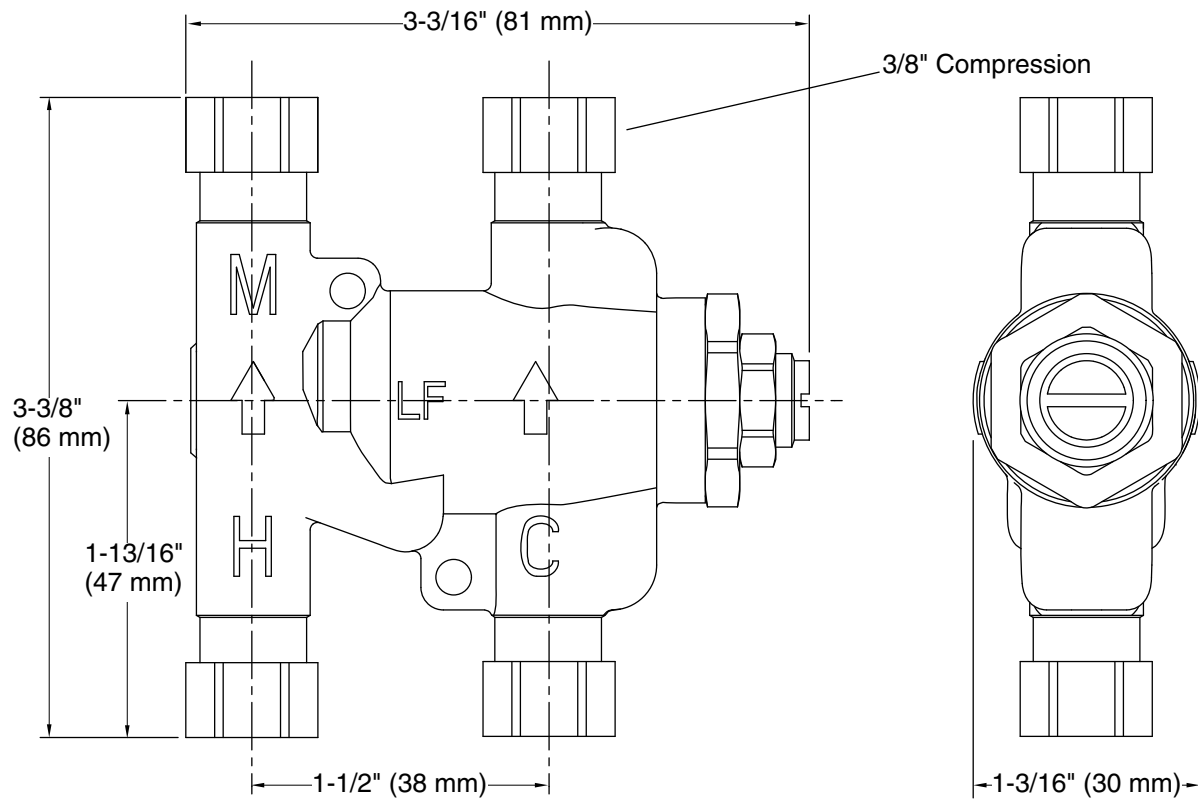


### Codes/Standards

ASSE 1070  
NSF/ANSI/CAN 61  
NSF/ANSI/CAN 372

### KOHLER® One-Year Limited Warranty

See website for detailed warranty information.



### Technical Information

All product dimensions are nominal.

Faucet flow rate: 0.5 gal/min (1.9 l/min)

### Spout:

### Notes

Install this product according to the installation instructions.