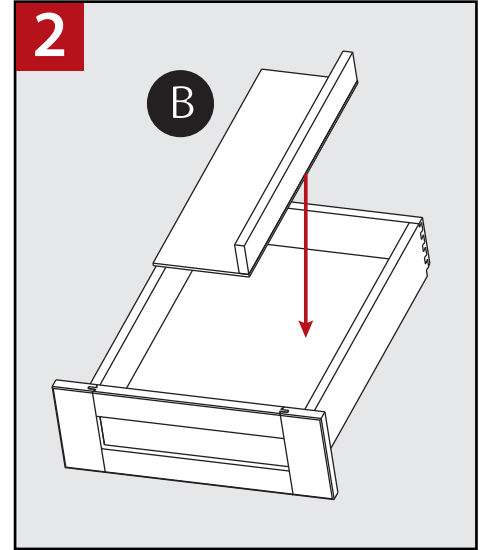
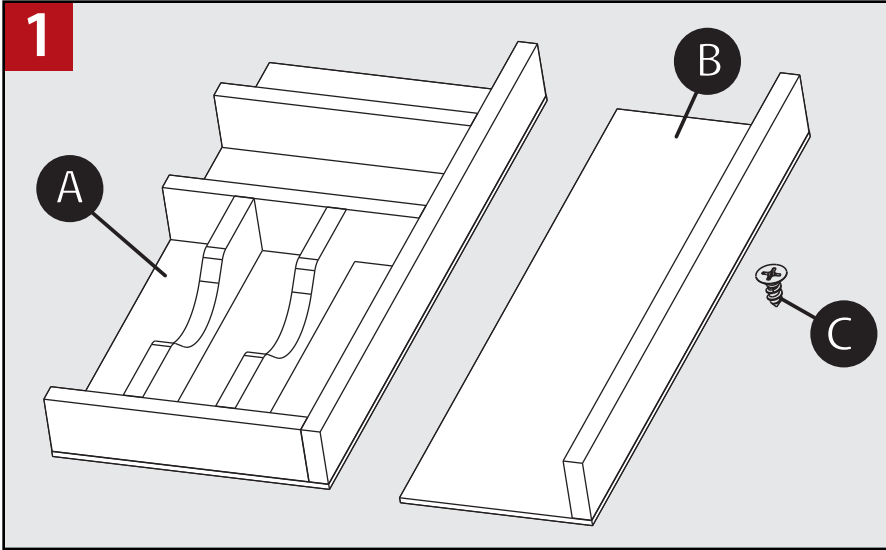


DOxx Series Drawer Insert Organizer Installation

800.463.0660 | www.HardwareResources.com

hardware
resources[®]



1. 3 Components are included in your Drawer Insert Organizer:

- A. Base Insert
- B. Insert Extension
- C. #6 x 3/8" Flat Head Screw

2. Place the Extension (B) in the drawer first toward the right side of the drawer box.

3. Next, place the Base Insert (A) in the drawer overlapping the Extension (B).

4. Push the Base Insert (A) to the left drawer box wall while also pushing the Extension (B) to the right drawer box wall.

5. With the two parts of the insert properly positioned, drive the #6 x 3/8" Flat Head Screw (C) through the pre-drilled hole in the Base Insert (A) and into the Extension (B).

Note: Do not overtighten the screw.

