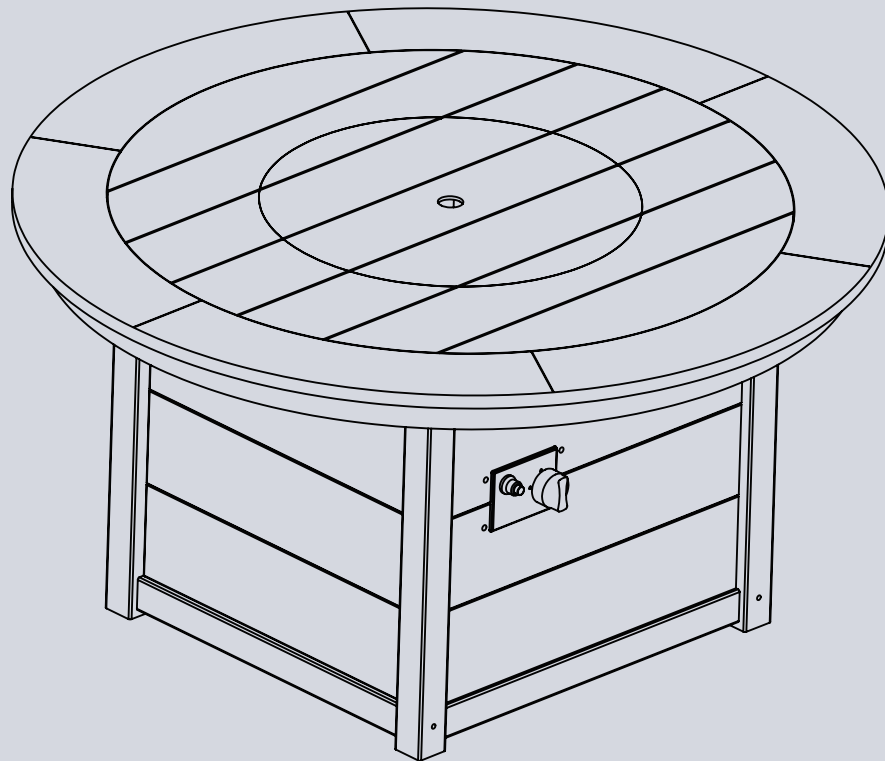


INSTRUCTION MANUAL



ANS Z21.97 CSA 2.41-2017
Outdoor Decorative Gas Appliances

Model: FD-A33005

Round 47" Fire Pit Table

V1.0

INSTALLER: Leave this manual with the appliance.
CONSUMER: Retain this manual for future reference

**⚠ DANGER
FIRE OR EXPLOSION HAZARD**

If you smell gas:

- Shut off gas to the appliance.
- Extinguish any open flame.
- If odor continues, leave the area immediately.
- After leaving the area, call your gas supplier or fire department.

Failure to follow these instructions could result in fire or explosion, which could cause property damage, personal injury, or death.

⚠ WARNING: For Outdoor Use Only.
Installation and service must be performed by a qualified installer, service agency, or the gas supplier.

⚠ WARNING

Do not store or use gasoline, or other flammable vapors and liquids, in the vicinity of this or any other appliance.

An LP-cylinder not connected for use shall not be stored in the vicinity of this or any other appliance.

⚠ DANGER



CARBON MONOXIDE HAZARD

This appliance can produce carbon monoxide which has no odor. Using it in an enclosed space can kill you.
Never use this appliance in an enclosed space such as a camper, tent, car or home.

⚠ WARNING:

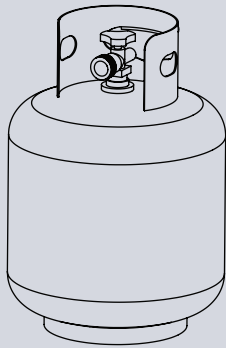
If the information in this manual is not followed exactly, a fire or explosion may result causing property damage, personal injury, or loss of life.

SAFETY INFORMATION

1. The installation must conform with local codes or, in the absence of local codes, with the National Fuel Gas Code, ANSI Z223.1 • NFPA 54; National Fuel Gas Code; Natural Gas and Propane Installation Code, CSA B149.1; or Propane Storage and Handling Code, CSA B149.2, as applicable.
2. The appliance must be isolated from the gas supply piping system by closing its individual manual shutoff valve during any pressure testing of the gas supply piping system at test pressures equal to or less than 1/2 psi (3.5 kPa).
3. The appliance area must be kept clear and free from combustible materials, gasoline, and other flammable vapors and liquids.
4. Do not use this appliance if any part has been under water. Immediately call a qualified service technician to inspect the appliance and to replace any part of the control system and any gas control that has been under water.
5. Children and adults should be alerted to the hazards of high surface temperatures and should stay away to avoid burns or clothing ignition. Young children should be carefully supervised when they are in the area of the appliance.
6. Clothing or other flammable materials should not be hung from the appliance or placed on or near the appliance.
7. Any guard or other protective device removed for servicing the appliance shall be replaced prior to operating the appliance.
8. Installation and repair should be done by a qualified service person. The appliance should be inspected before use and at least annually by a qualified service person. More frequent cleaning may be required as necessary. It is imperative that the control compartment, burners, and circulating air passageways of the appliance are kept clean.
9. **CAUTION:** The propane gas pressure regulator provided with this appliance must be used. This regulator is set for an outlet pressure of 11 inches water column.
10. DO NOT burn solid fuels in this appliance.
11. This outdoor gas appliance is for Outdoor Use ONLY.
12. This outdoor gas appliance is not intended to be installed in or on recreational vehicles and/or boats.
13. This outdoor appliance is not for use on wood decks or other flammable surface.
14. Before each use of this gas appliance, open the door and/or the propane Tank Drawer and inspect the hose. If there is evidence of excessive abrasion or wear or if the hose is damaged, the hose assembly must be replaced prior to the appliance being put into operation. Use only the replacement hose assembly specified in this manual.
15. Make sure to leak test.
16. Before each use of this gas appliance, inspect the burner. The burner must be replaced prior to the appliance being put into operation if it is evident that the burner is damaged. Use only the replacement burner specified in this manual.
17. Make sure to properly locate the gas hose including locating the hose out of pathways where people may trip over it or in areas where the hose may be subject to accidental damage.
18. Keep the fuel supply hose away from any heated surface.
19. Never use this appliance closer than 10 feet from anything flammable, including houses or overhead tree branches.
20. Never use gasoline, kerosene, or any other liquid fuel to start a fire.
21. Always maintain a safe distance from the fire.
22. Always supervise children around the fire.
23. Never leave a fire unattended.
24. The appliance is hot during and after use, always allow ample cooling time before touching or moving.

IMPORTANT SAFETY INFORMATION ABOUT PROPANE GAS

1. The propane supply cylinder to be used must be constructed and marked in accordance with the U.S. Department of Transportation (D.O.T.) Specifications for propane cylinders, or the Standard for Cylinders, Spheres and Tubes for Transportation of Dangerous Goods and Commission, CAN/CSA-B339, as applicable.
2. The propane supply cylinder to be used must have a listed overfilling prevention device (See Figure 1).
3. The propane supply cylinder to be used must have a cylinder connection device compatible with the connection for the appliance.
4. A self-contained propane cylinder for use with this appliance must have a capacity of 20 lbs cylinder.
5. The cylinder supply system must be arranged for vapor withdrawal.
6. The cylinder used must include a collar to protect the cylinder valve.
7. This appliance shall be used only outdoors in a well-ventilated space and shall not be used in a building, garage or any other enclosed space.
8. When this appliance is not in use, the gas must be turned off at the supply cylinder.
9. Storage of this appliance indoors is permissible only if the cylinder is disconnected and removed from the appliance.
10. Cylinders must be stored outdoors in a well-ventilated area out of the reach of children. Disconnected cylinders must have threaded valve plugs tightly installed and must not be stored in a building, garage or any other enclosed areas.
11. This appliance is certified by CSA (Canadian Standards Association) to ANSI Z21.97 / CSA 2.41-2017, Outdoor Decorative Gas Appliances.



Standard 20 lb.tank
Figure 1

Gas Cylinder Specifications

Height	18 inches
Tank Body Diameter	12 inches
Base Diameter	8 inches

SPECIFICATIONS

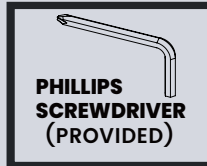
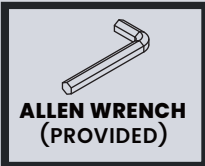
Rated Heat Input (Liquid Propane & Natural Gas)	55,000 BTU/hr
Propane Regulator Pressure	11 inches water column
Clearance to combustible surfaces	Sides: 48in. (1219mm), Top: 72in. (1829mm)

! NOTICE

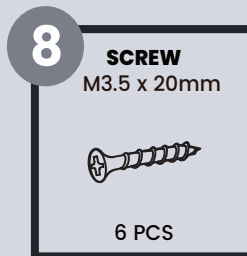
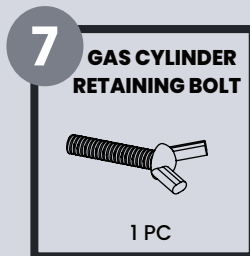
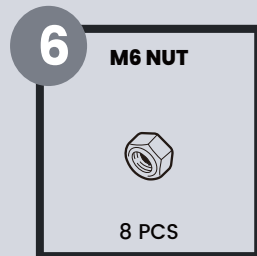
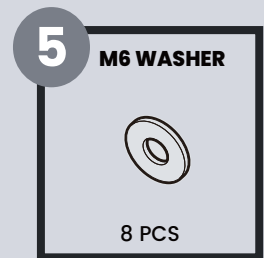
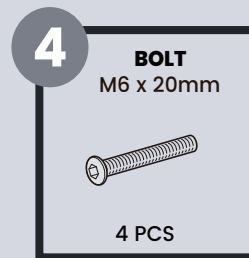
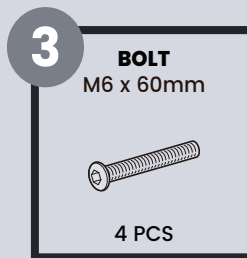
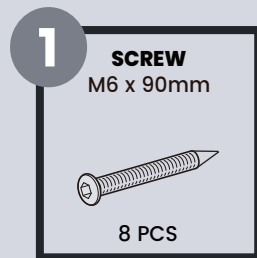
Do not overtighten screws. (Insert all screws before tightening screws.)

- Please do not exceed the weight limitations of this item.
- Do not stand on or use any part of this item as a step ladder.
- Firmly secure all bolts, screws, and nuts before use.
- Reconfirm that all bolts, screws, and nuts are secure every 90 days.
- Do not use or store this item in the proximity of open flame or flammable/combustible chemicals.
- Be aware that some parts are heavy and have sharp edges.
- When using an electric drill, please adjust its speed slowly to avoid screw slippage.

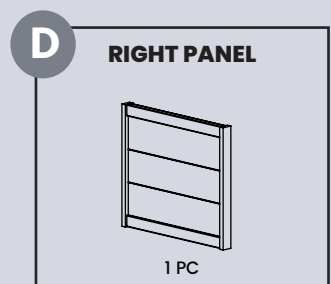
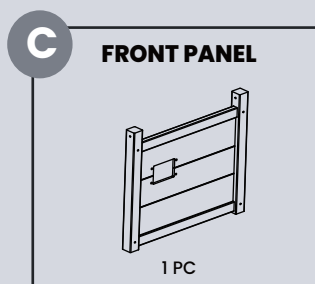
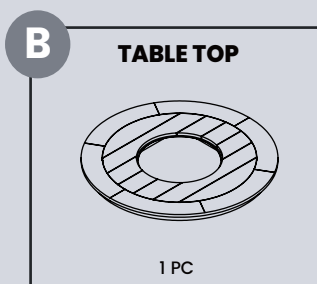
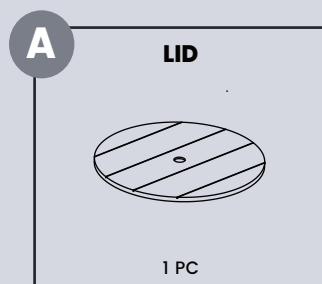
TOOLS REQUIRED



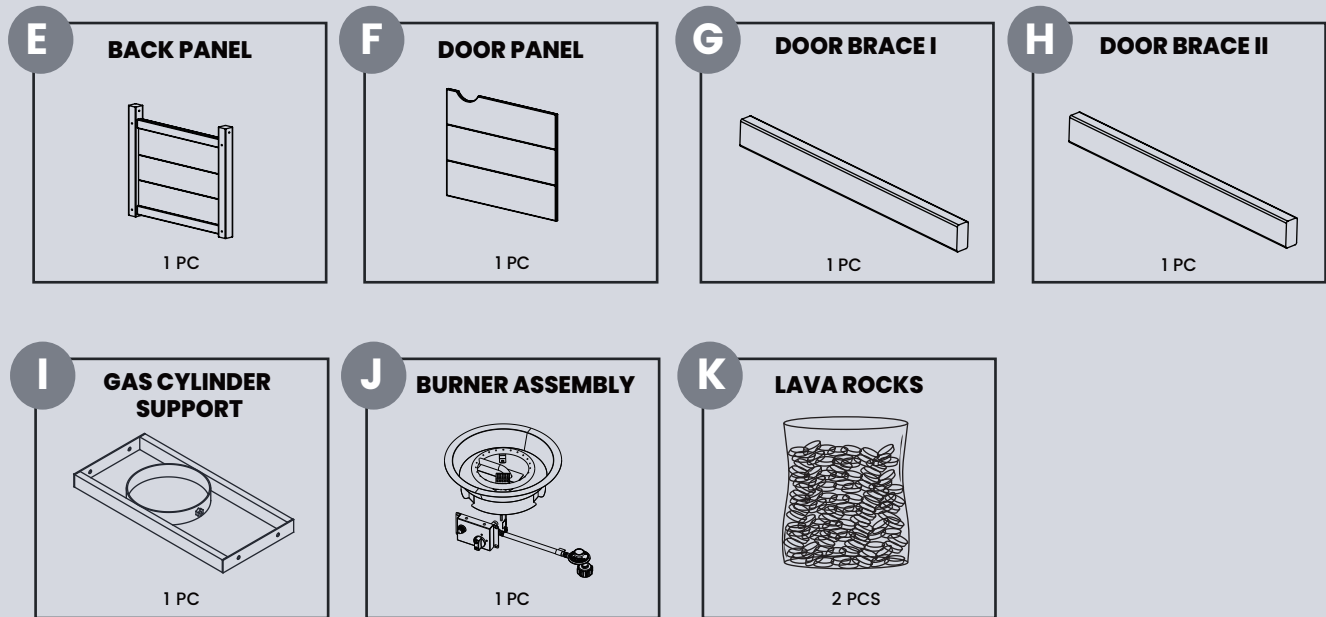
HARDWARE



PARTS

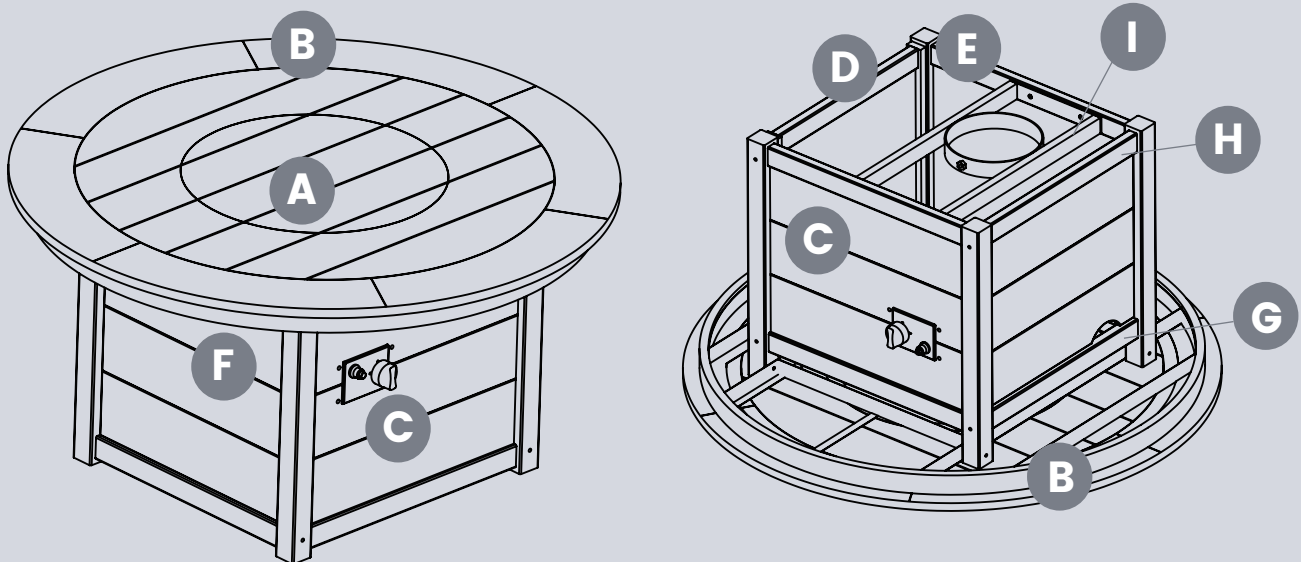


PARTS



PRODUCT ASSEMBLY - OVERALL VIEW

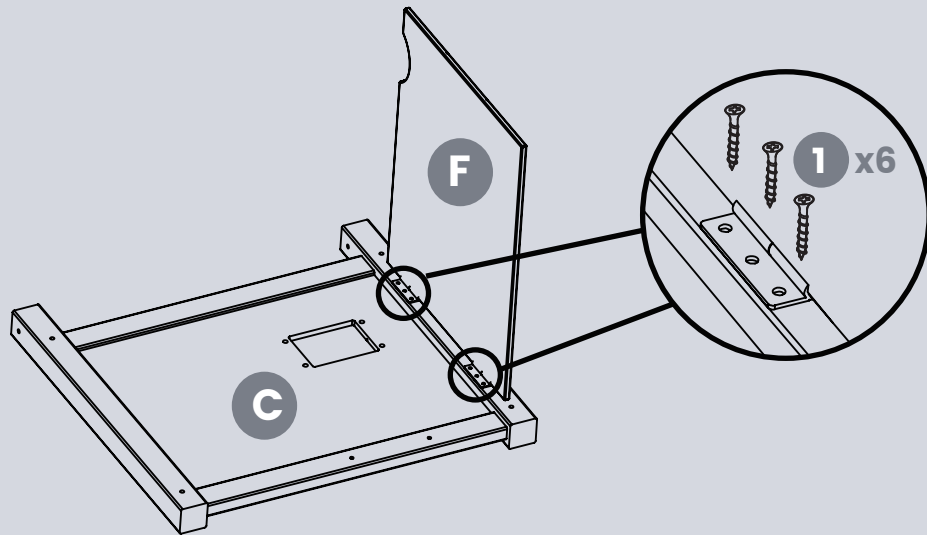
Look at the overall view of this table and learn the exact position of each part to be assembled.



PRODUCT ASSEMBLY

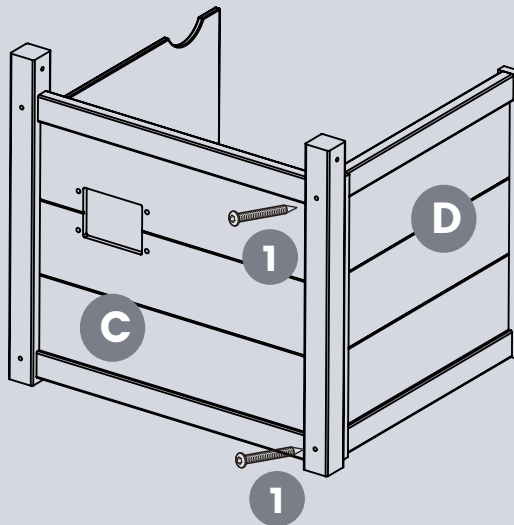
1

Place the **Part C Front Panel** upside down on a soft, non-abrasive surface. Attach **Part F Door Panel** to **Part C Front Panel** with 6 pcs of **Hardware #8 Screw**.



2

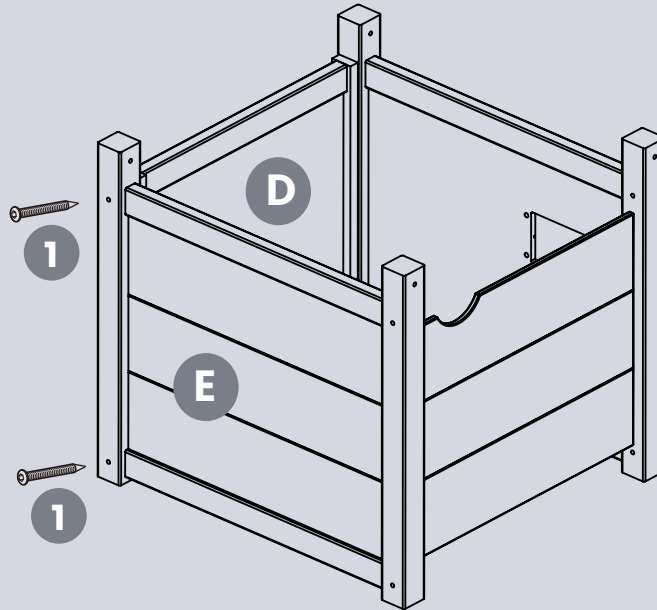
Attach **Part D Right Panel** to **Part C Front Panel** with 2 pcs of **Hardware #1 Screw**.



PRODUCT ASSEMBLY

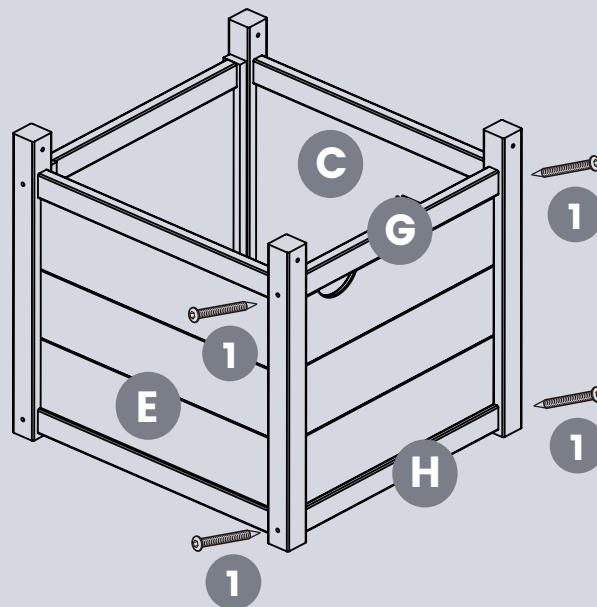
3

Attach **Part E Back Panel** to **Part D Right Panel** with 2 pcs of **Hardware #1 Screw**.



4

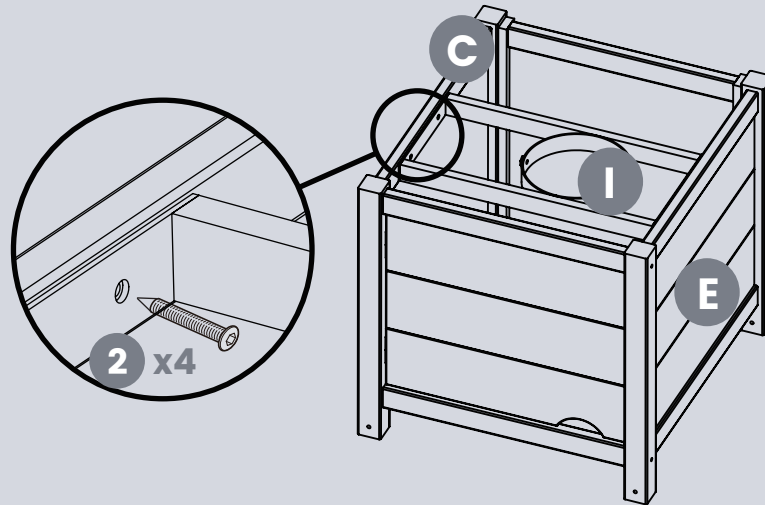
Attach **Part G Door Brace I** and **Part H Door Brace II** to **Part C Front Panel** and **Part E Back Panel** with 4 pcs of **Hardware #1 Screw**.



PRODUCT ASSEMBLY

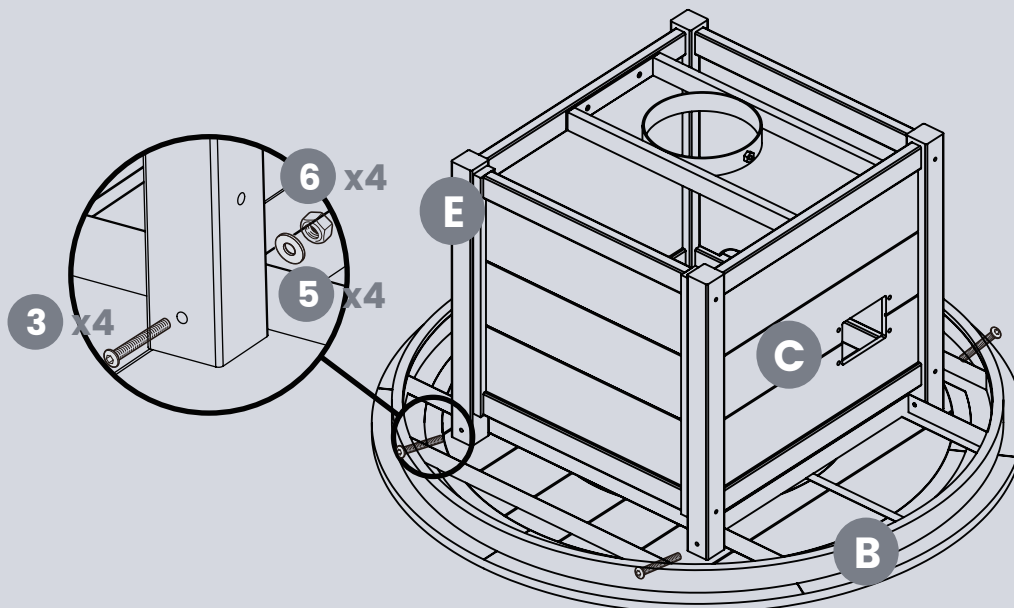
5

Carefully flip the assembled base upside down, attach **Part I Gas Cylinder Support** to **Part C Front Panel** and **Part E Back Panel** with 4 pcs of **Hardware #2 Screw**.



6

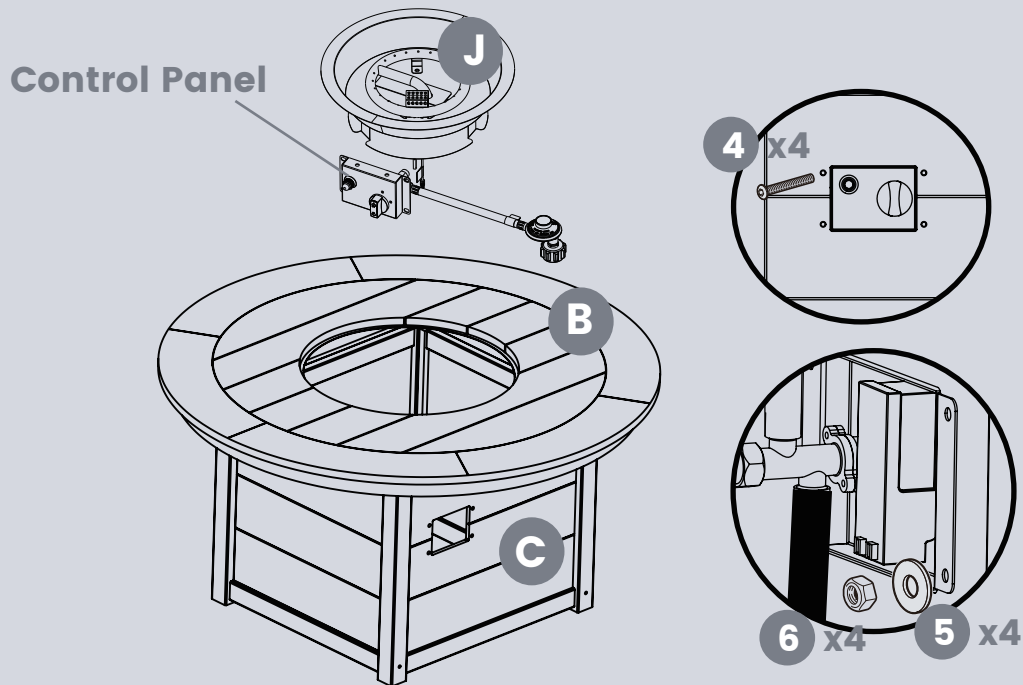
Place the **Part B Table Top** upside down on a soft, non-abrasive surface. Attach **Part C Front Panel** and **Part E Back Panel** to **Part B Table Top** with 4 pcs of **Hardware #3 Bolt**, 4 pcs of **Hardware #5 Washer** and 4 pcs of **Hardware #6 Nut**.



PRODUCT ASSEMBLY

7

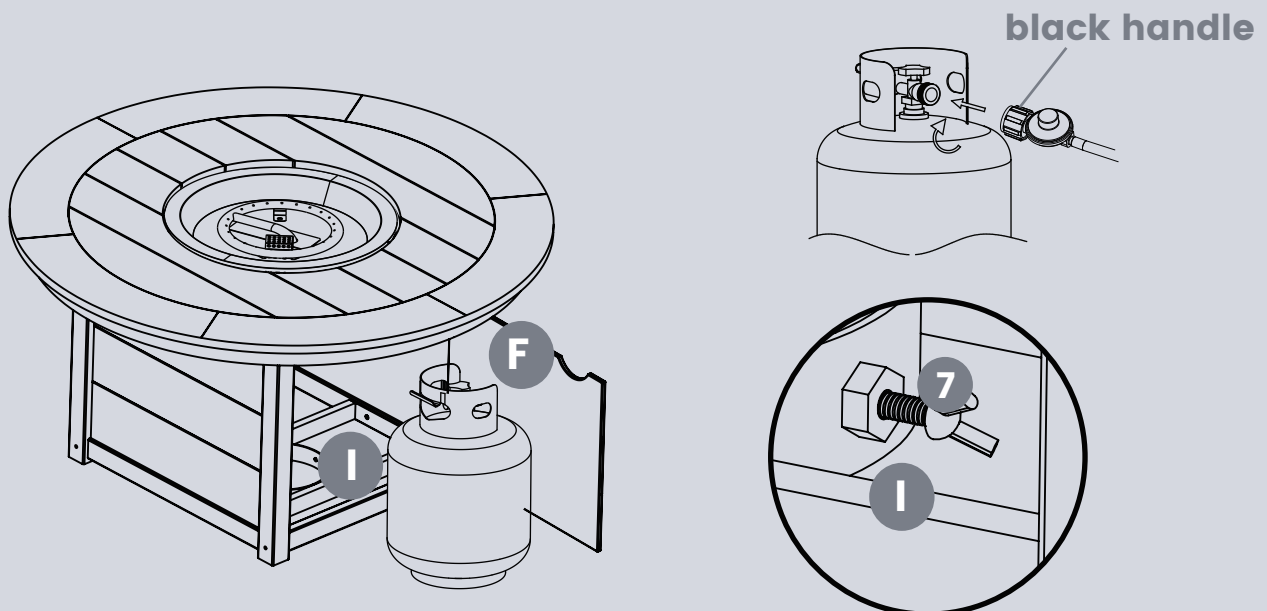
Pass the **Part J Burner Assembly** through the opening of **Part B Table Top**. Align the **Control Panel** with the holes at the opening of Front Panel with 4 pcs of **Hardware #4 Bolt**, 4 pcs of **Hardware #5 Washer** and 4 pcs of **Hardware #6 Nut**.



8

Open the **Part F Door Panel**. Place the gas cylinder into the **Part I Gas Cylinder Support**. Connect the regulator and screw the **Black Handle** clockwise to tighten. Turn the **Black Handle** counterclockwise to remove. The knob on the **Control Panel** is turned all the way to the "OFF" position when the fire pit is NOT in use.

Secure gas cylinder by tightening the **Hardware #7 Gas Cylinder Retaining Bolt** found on the **Part I Gas Cylinder Support** clockwise so that gas cylinder cannot move from side to side or fall down.

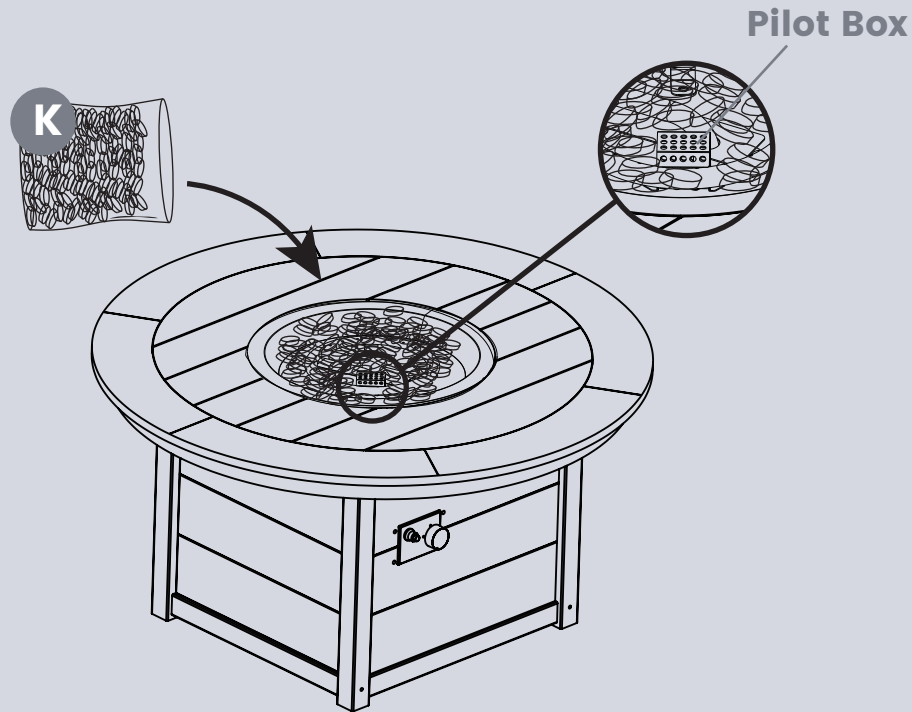


PRODUCT ASSEMBLY

9

Place **Part K Lava Rocks** around the burner.

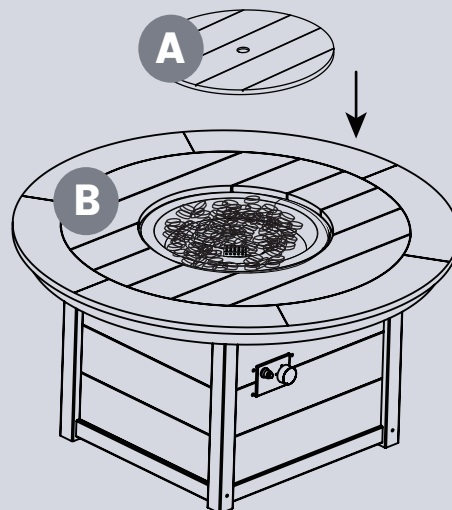
NOTE: Leave the pilot box uncovered by the lava rocks.



10

Carefully place the **Part A Lid** onto the fire bowl when the **Part B Table Top** has cooled COMPLETELY after use or when not in use to protect it from the elements.

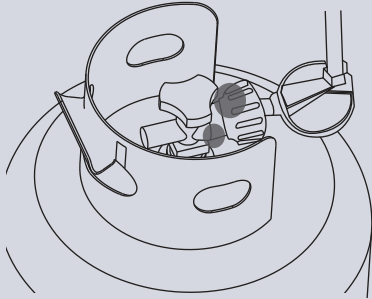
NOTE: Allow 60 minutes after use for fire pit to cool down before placing the lid onto the fire bowl to prevent scalding.



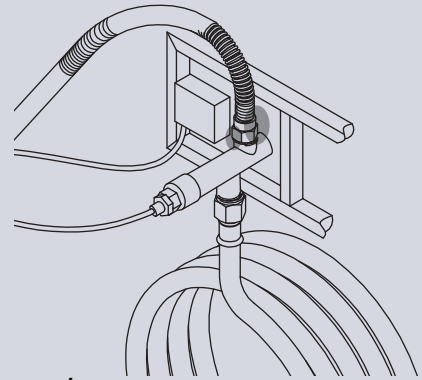
LEAK TEST

To prevent fire or explosion hazard when testing for a leak:

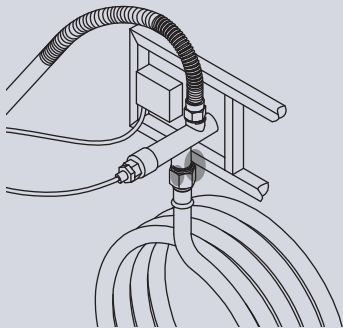
1. Always perform the leak test as described below before lighting this appliance or each time the cylinder is connected for use.
2. Do not smoke or allow other sources of ignition in the area while conducting a leak test.
3. Conduct the leak test outdoors in a well-ventilated area.
4. Do not use matches, lighters or a flame to check for leaks.
5. Do not use this appliance until any and all leaks are corrected. If you are unable to stop a leak, disconnect the propane supply and call a gas appliance service shop or your local propane gas supplier.



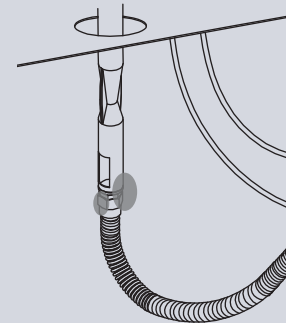
cylinder / regulator connection



gas valve / bellows connection



gas valve / regulator hose connection



inlet tube / bellows connection

To perform a leak test:

1. Make 2~3 oz. of leak solution by mixing one part liquid dishwasher detergent and three parts water. Noted: make sure control knob is "OFF".
2. Apply several drops of solution where the cylinder attaches to regulator, inspect the solution at the connection looking for bubbles. If NO bubbles appear, the connection is secure. If bubbles appear, the connection has the leak, disconnect the regulator, reconnect, perform another leak check. If you continue to see bubbles after several attempts, cylinder valve is defective and should be returned to cylinder's supplier.
3. Apply several drops of solution where gas valve attaches to bellows, where gas valve attaches to regulator hose, and where inlet tube attaches to bellows. If NO bubbles appear, the connections are secure. If bubbles appear, the connection has the leak, disconnect, reconnect, and perform another leak check. If you continue to see bubbles after several attempts, both parts are defective and should replace with the new ones.

LIGHTING YOUR FIRE PIT TABLE

Important: Ensure the glass wind guard (if applicable) is in place and the burner area is clear of any debris or covers before starting.

1. Pre-Lighting Checklist

- Check the Knobs: Ensure the control knob on the table is in the OFF position.
- Open the Door: Open the tank storage door to access the propane cylinder.
- Gas Supply: Connect the regulator to the gas tank. Slowly turn the valve on top of the tank to the ON (open) position.

2. Standard Ignition (Piezo/Auto-Start)

- Push and Turn: Push the control knob in and turn it counter-clockwise to the HI (or Ignition) position. You should hear a continuous clicking sound.
- Hold to Prime: Keep the knob pressed inward for 15 seconds. This allows gas to reach the burner and the safety thermocouple to heat up.
- Verify Flame: Look through the fire glass or viewing hole. If the burner is lit, you can release the knob and adjust the flame.
- Try Again: If it doesn't light, repeat this process 2 or 3 times.

3. Manual Lighting (Match/Lighter)

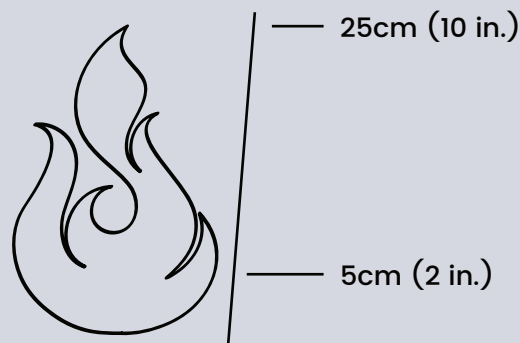
If the auto-igniter fails, wait 5 minutes for any accumulated gas to dissipate before trying this:

- Use a long-reach fireplace lighter or the match-holding tool provided.
- Hold the flame near the burner ports (the holes in the metal ring).
- Push and turn the control knob to HI. The burner should ignite immediately.

Safety Warnings

WARNING: Improper lighting can lead to gas buildup, resulting in a fire or explosion. If you smell gas at any time, turn the tank off immediately and do not attempt to light the appliance.

- **Flame Appearance:** Once lit, the flames should be a mix of blue and yellow, standing between 5cm (2 in.) and 25cm (10 in.) high.
- **Shutdown:** When finished, always turn the control knob to OFF first, then close the valve on the gas tank.



CARE AND MAINTENANCE

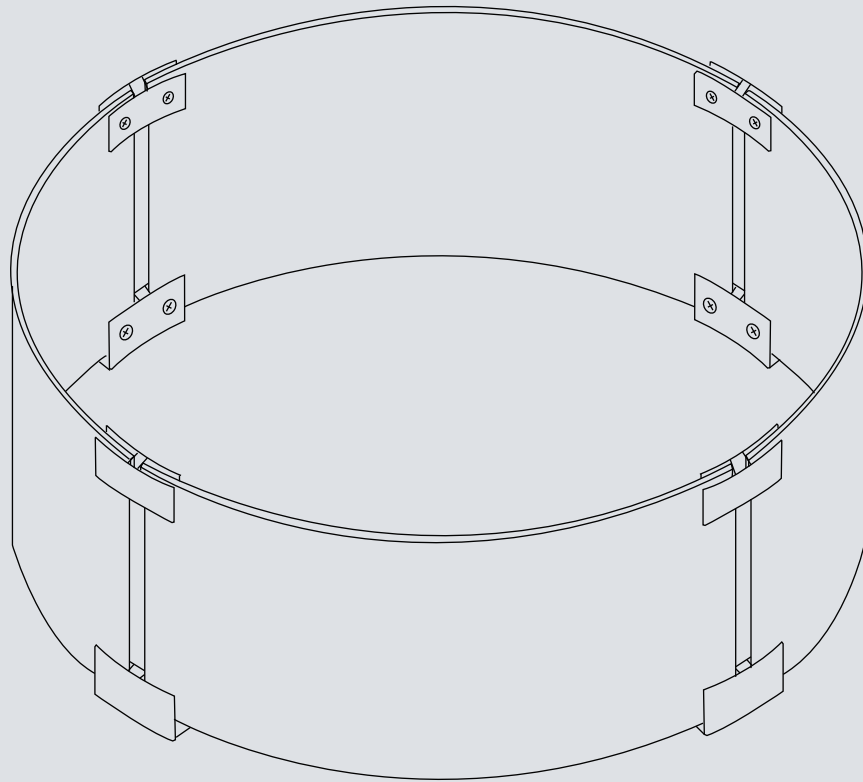
To enjoy the outstanding performance from your fire pit, make sure you perform the following activities on a regular basis:

1. Before each use of this product, inspect the hose for any visible cut wounds, cracks, abrasions, or signs of aging, or signs of rodent chewing. If the hose is defective, DO NOT use it. It must be replaced.
2. Use warm soapy water for cleaning. Never use flammable or corrosive cleaning agents.
3. Remove dirt, spills or stains on the product quickly.
4. Dry the product with a soft cloth or paper towel.
5. Do not use sharp tools that can scratch the product.
6. While cleaning the fire pit, make sure to keep the area around the burner dry at all times. DO NOT submerge the control valve assembly. If the gas control is submerged in water, DO NOT use it. It must be replaced.
7. Air flow must be unobstructed. Keep controls, burner, and circulating air passageways clean. Signs of possible blockage include:
 - (1). Gas odor with extreme yellow tipping of flame.
 - (2). Fire pit does NOT reach the desired temperature.
 - (3). Fire pit flame is excessively uneven.
 - (4). Fire pit makes popping noises.
 - (5). Spiders and insects can nest in the burner and orifices. This dangerous condition can damage the fire pit and render it unsafe for use. Clean burner holes by using a heavy-duty pipe cleaner. Compressed air may help clear away small particles.
8. Carbon deposits may create a fire hazard. Clean burner with warm soapy water if any carbon deposits develop.
9. Cover your fire pit with an outdoor weather cover when not in use to protect it from the elements.

NOTE: Always allow fire pit to cool COMPLETELY before you cover the fire pit with an outdoor weather cover or when you attempt service or maintenance.

10. NOTE: Always dry the product completely before it is covered or stored in a storage area.

INSTRUCTION MANUAL



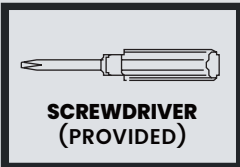
Round Tempered Glass Fire Flame Guard

! NOTICE

Do not overtighten screws. (Insert all screws before tightening screws.)

- CAUTION: Hand-tighten with a screwdriver only. Using a power drill may cause glass to shatter or damage frame threads.
- Firmly secure all bolts, screws, and nuts before use.
- Reconfirm that all bolts, screws, and nuts are secure every 90 days.
- Be aware that some parts are heavy and have sharp edges.

TOOLS REQUIRED



**1 PERSON
ASSEMBLY**

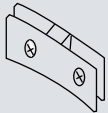


**UP TO 20 MIN.
ASSEMBLY**

HARDWARE

1

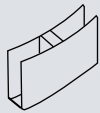
**GLASS TOP
HOLDER**



4 PCS

2

**GLASS BOTTOM
HOLDER**



4 PCS

PARTS

A

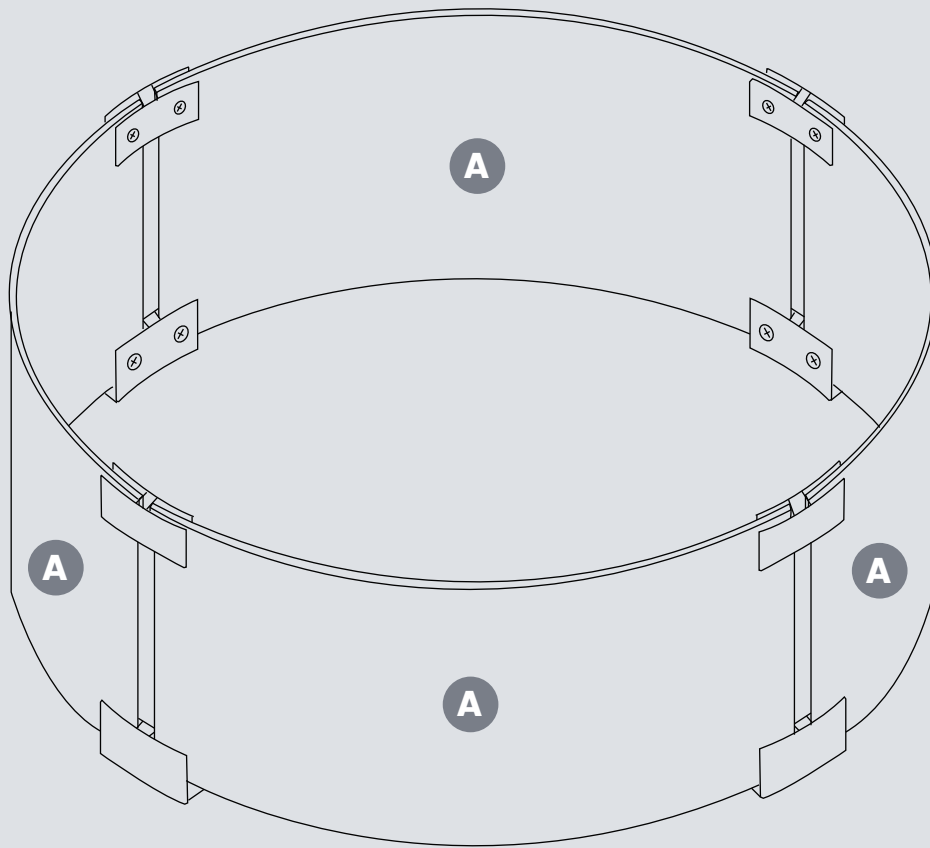
GLASS PANEL



4 PCS

PRODUCT ASSEMBLY - OVERALL VIEW

Thanks for purchasing this quality product. Be sure to check all packing materials carefully for small parts, which may have come loose inside the carton during shipment. Identify and count all parts and compare with the hardware listed on the previous page and shown below.

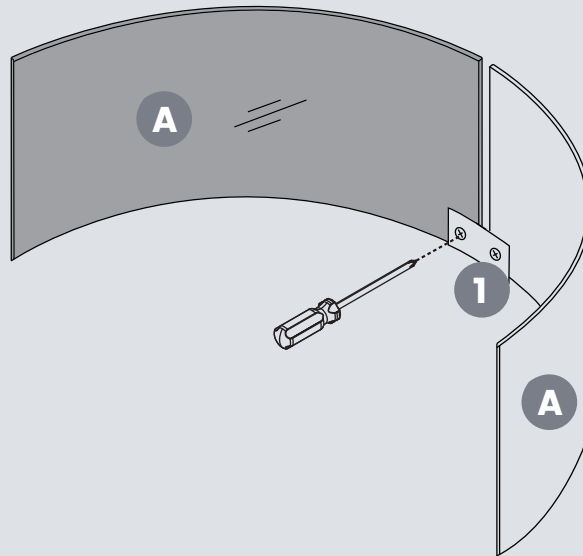


PRODUCT ASSEMBLY

1

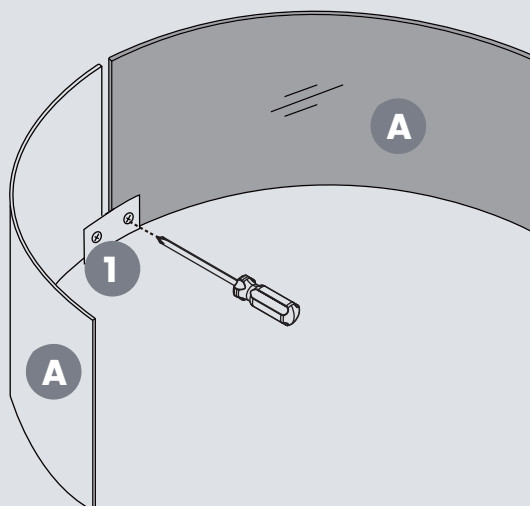
CAUTION: Assemble on a soft surface. Please assemble on a rug, towel, or the product's shipping carton. Do not assemble on concrete, tile, or other hard surfaces as it may cause damage to the glass.

Place **Hardware #1 Glass Top Holder** between 2 pcs of **Part A Glass Panels** and tighten loosely with a screwdriver.



2

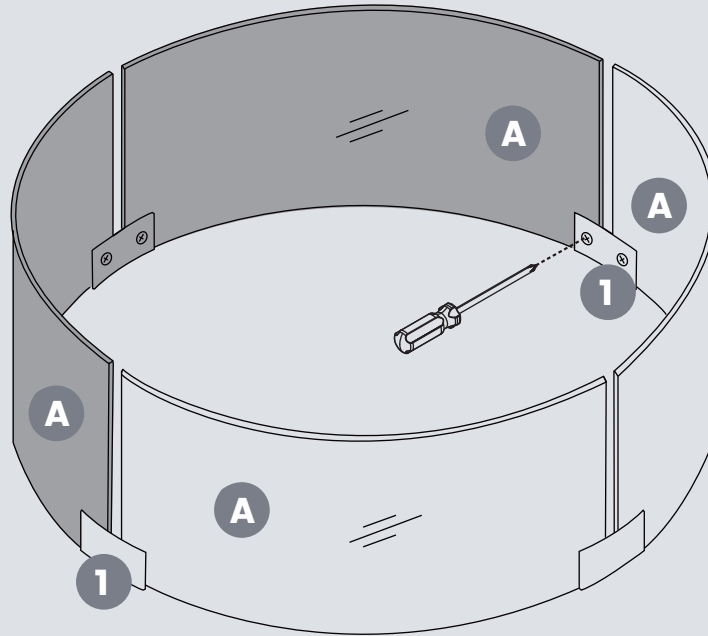
Place **Hardware #1 Glass Top Holder** between 2 pcs of the remaining **Part A Glass Panels** and tighten loosely with a screwdriver.



PRODUCT ASSEMBLY

3

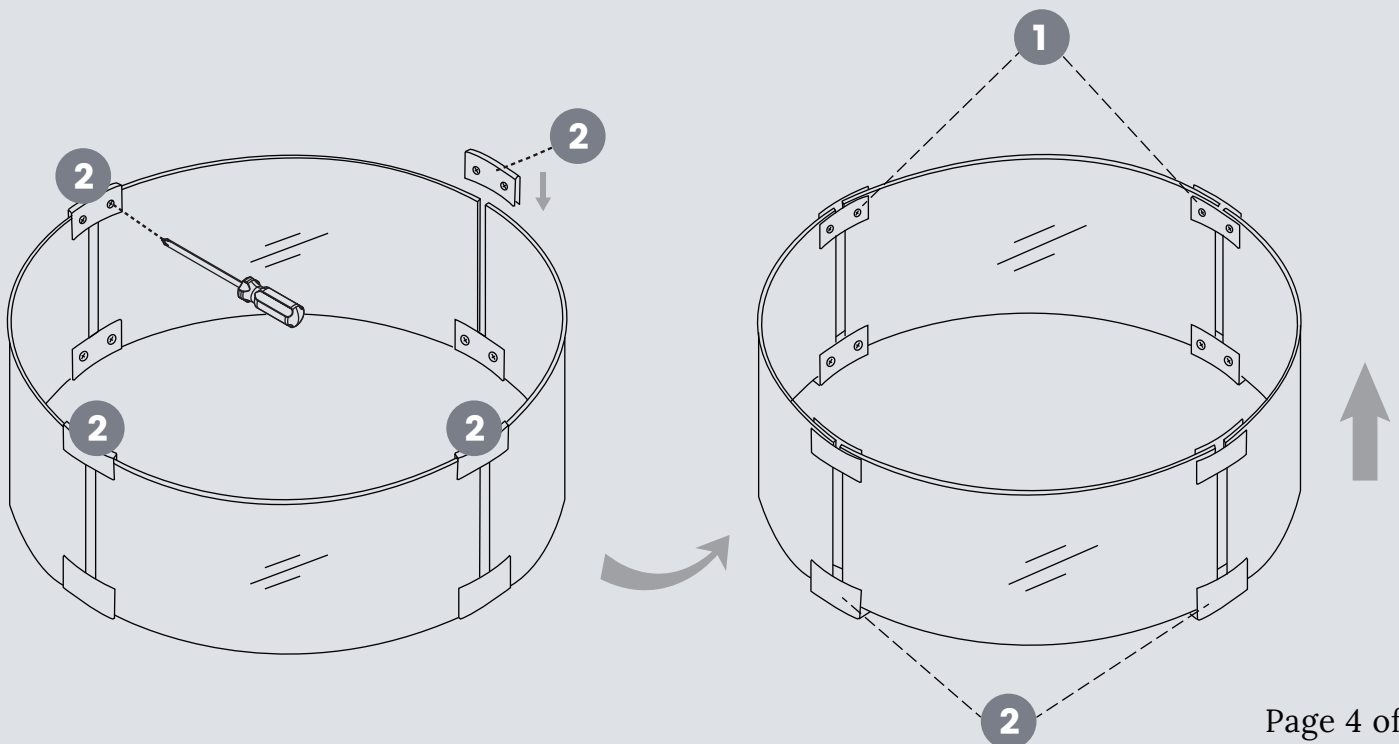
Assemble 4 pcs of **Part A Glass Panels** together by 2 pcs of **Hardware #1 Glass Top Holder** and tighten loosely with a screwdriver.



4

Attach **Hardware #2 Glass Bottom Holder** between every 2 pcs of **Part A Glass Panels** and tighten with a screwdriver.

Tighten all screws again and turn the assembled product upside down to finish the assembly.



Regular Maintenance (Every few uses)

- For light dust or fingerprints, you don't need heavy chemicals.
- Wait for it to cool: Never clean the glass while it's hot; the thermal shock could cause it to crack.
- The Vinegar Solution: Mix 50% water and 50% white vinegar in a spray bottle.
- Microfiber is King: Use a clean microfiber cloth to wipe the panels. Avoid paper towels, as they can leave lint and tiny abrasive scratches over time.

Deep Cleaning (For soot and grime)

If you notice a cloudy film or black soot buildup (common if your propane-to-air ratio is slightly off), follow these steps:

- Disassemble (Optional but Recommended): Loosen the corner brackets so you can clean the edges where the glass meets the metal hardware.
- Dish Soap Soak: Use warm water and a grease-cutting dish soap. This breaks down the oily residue left by gas combustion.
- The "No-Scratch" Rule: Never use steel wool, razor blades, or abrasive "scouring" pads. If a spot is stubborn, let the soapy water sit on it for 5 minutes.
- Buff Dry: Dry the glass immediately with a fresh cloth to prevent water spots.

What to Avoid

- Ammonia-based cleaners: Some glass cleaners (like original Windex) can leave a chemical film that rainbows or "bakes on" the next time the fire is lit.
- Cleaning in direct sun: This causes the cleaner to dry too fast, leaving streaks.
- Handling with bare hands: Once it's clean, try to handle the glass by the edges or with gloves. Skin oils attract soot like a magnet.

Regular cleaning not only preserves the aesthetic appeal of the glass, but also helps extend its lifespan.