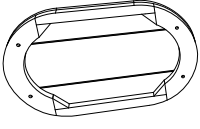
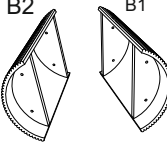
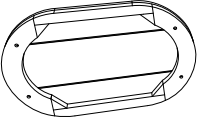
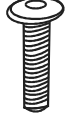

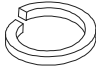

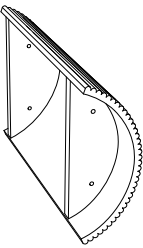
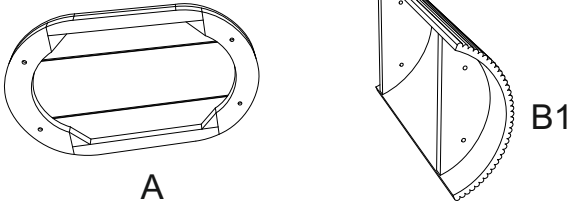
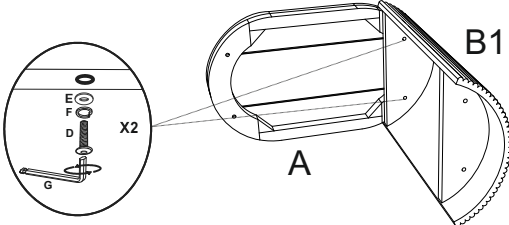
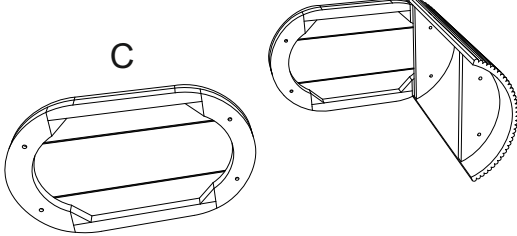
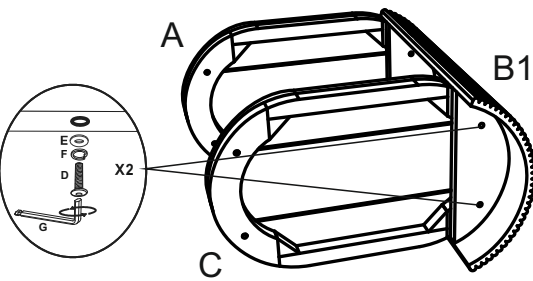
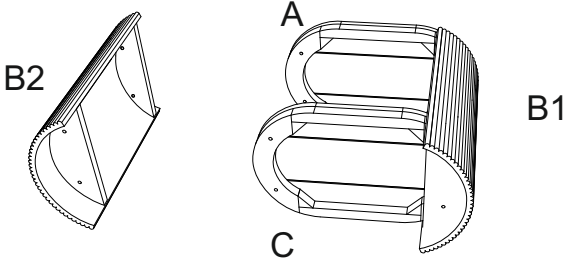
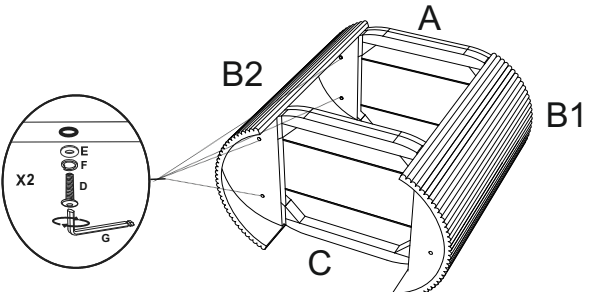
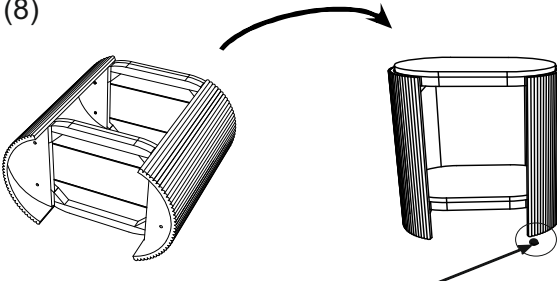


Cakora Capsule Side Table

Assembly Instructions

(A)	(B)	(C)	(D)	(E)	(F)	(G)
 <p>1 piece</p>	 <p>2 pieces</p>	 <p>1 piece</p>	 <p>8x40mm 8 pieces</p>	 <p>8x20mm 8 pieces</p>	 <p>8x20mm 8 pieces</p>	 <p>5mm 1 pieces</p>
<p>(1)</p>  <p>B1</p>			<p>(2)</p>  <p>A B1</p>			
<p>(3)</p>  <p>A B1</p> <p>x2</p>			<p>(4)</p>  <p>C</p>			
<p>(5)</p>  <p>A B1</p> <p>x2</p>			<p>(6)</p>  <p>B2 A B1</p> <p>C</p>			
<p>(7)</p>  <p>A B2 B1</p> <p>x2</p>			<p>(8)</p>  <p>NOTE : Levelers can be used for adjustment if needed.</p>			