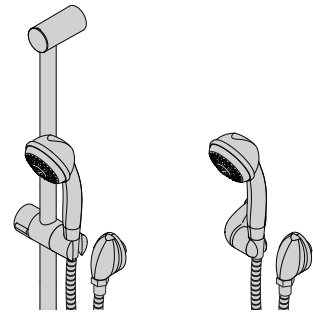





Location:



H303-V, H323-V
Hand Shower Unit
Specification Submittal



Model, H323-V Model, H303-V

<p>Model Numbers</p> <p><input type="checkbox"/> H303-V Hand shower, EF-101 with wall mounted cradle, wall connection and flange</p> <p><input type="checkbox"/> H323-V Hand shower, EF-101 with 30 inch vertical bar, wall connection and flange</p>		<p>Feature Highlights</p> <ul style="list-style-type: none"> • Three function hand shower with full shower pulsating message and soft shower water saving spray head • Includes dual checks for back flow protection • 5 foot flexible metal hose • Hand shower flow rate 2.0 gpm (7.6 L/min) Optional lower flow rates • 30 inch (762 mm) vertical bar with adjustable slide (model H323-V only) • Polished chrome finish (standard) 	
<p>Options/ Modifications</p> <p><input type="checkbox"/> 1.5  1.5 gpm (5.7 L/min) flow restrictor</p> <p><input type="checkbox"/> 48 48 inch vertical bar in place of 30" inch bar, (model H323-V only)</p> <p><input type="checkbox"/> 72 72" hose in place of 60" hose</p> <p><input type="checkbox"/> STN Satin Nickel finish</p> <p>Note: Append appropriate -suffix to model number.</p>			
<p>Compliance</p> <p>- ASME A112.18.1/CSA B125.1</p> 		<p>Warranty</p> <p>Limited Lifetime - to the original end purchaser in consumer/residential installations.</p> <p>10 Years - for commercial/industrial installations. Refer to www.symmons.com/warranty for complete warranty information.</p> 	

Architectural/ Engineering Specification

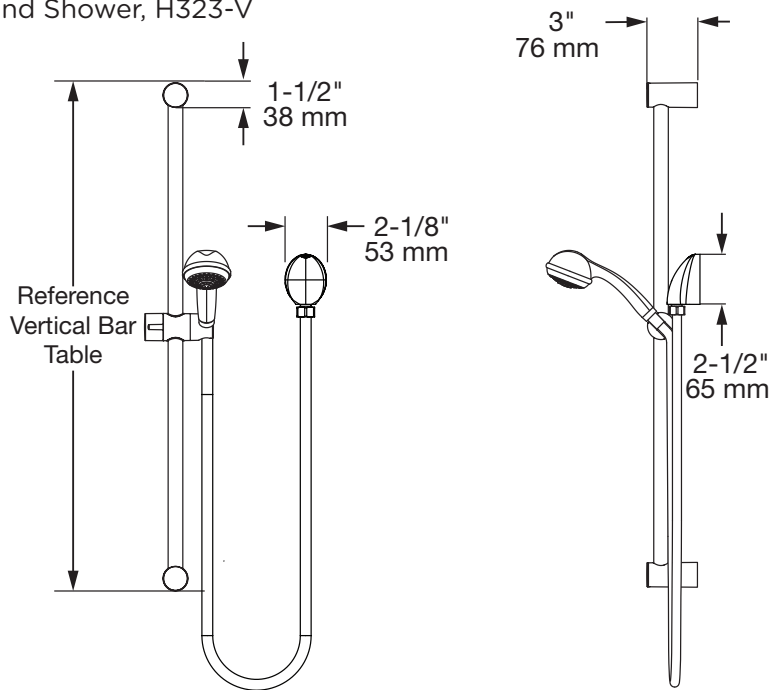
Symmons Hand Shower Unit _____ Includes Three function hand shower with full shower pulsating message and soft shower water saving spray head, Includes dual checks for back flow protection, 5 foot flexible metal hose, Hand shower flow rate 2.0 gpm (7.6 L/min) Optional lower flow rates, 30 inch (762 mm) vertical bar with adjustable slide (model H323-V only), Polished chrome finish (standard). 10 Year Commercial Warranty. ASME A112.18.1/CSA B125.1 compliant. Available options: "1.5 - 1.5 gpm (5.7 L/min) flow restrictor", "48 - 48 inch vertical bar in place of 30" inch bar, (model H323-V only)", "72 - 72" hose in place of 60" hose", "STN - Satin Nickel finish".



H303-V, H323-V

Dimensions

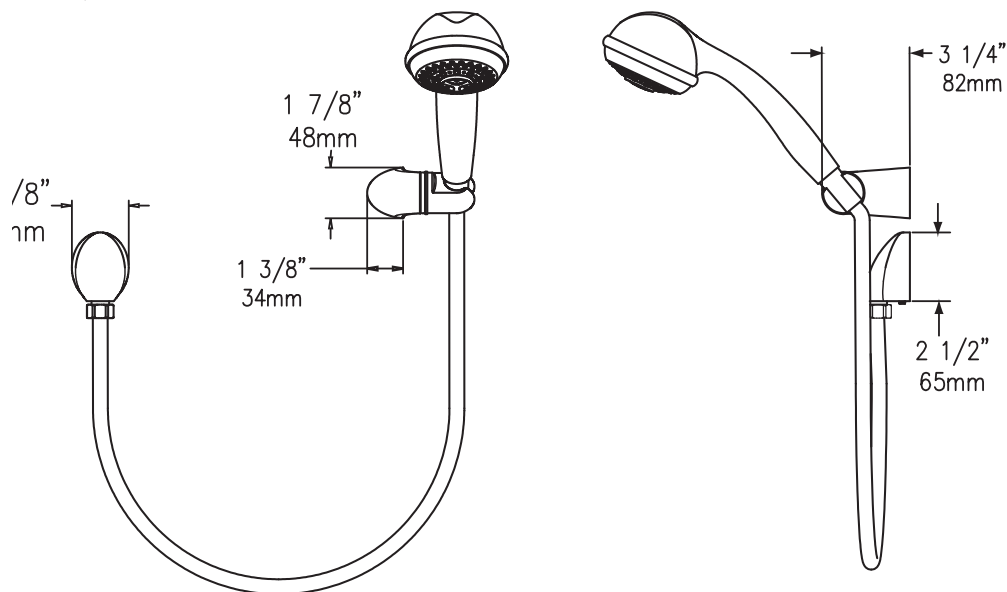
Hand Shower, H323-V



Vertical Bar	
Length	Drawing Dimension
30"	30", 762 mm
48"	48", 1219 mm

Note: Dimensions subject to change without notice.

Hand Shower, H303-V



Note: Dimensions subject to change without notice.