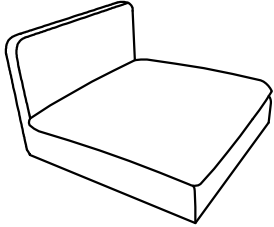


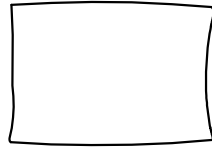
# ASSEMBLY INSTRUCTIONS

E995C(SPK) ARMLESS CHAIR

**A** Armless Chair **B** Back Cushion **C** Waist Pillow **D** Legs



1pc



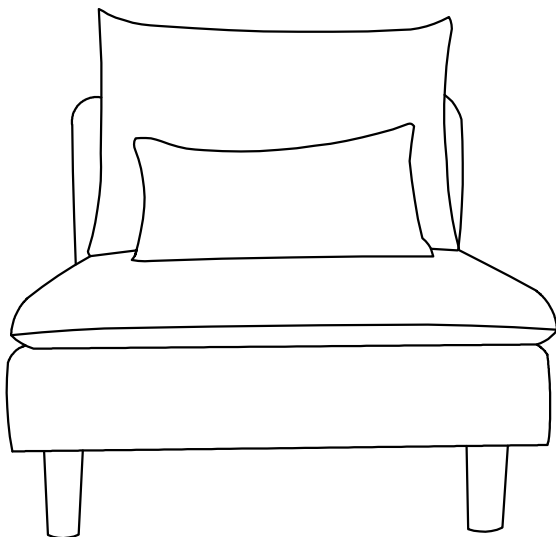
1pc



1pc

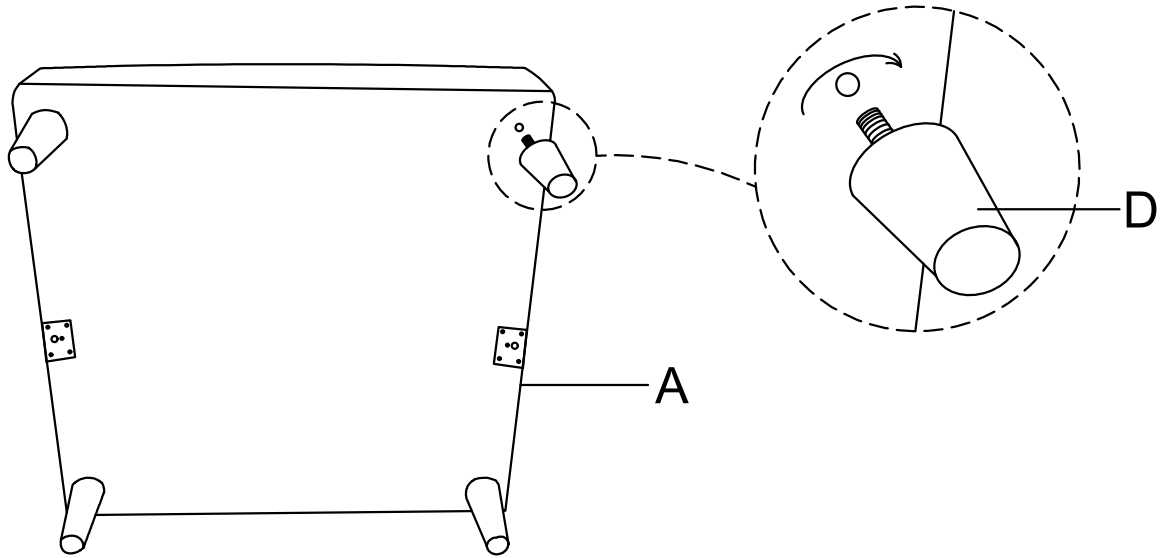


4pcs

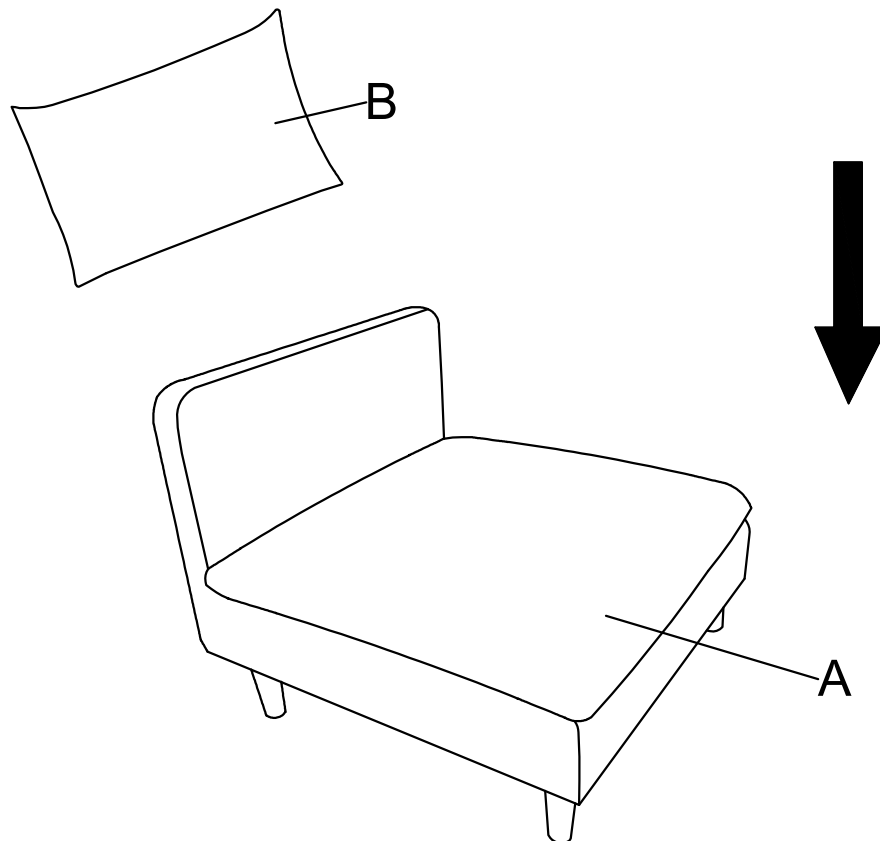


This page lists all the contents included in the box. Please take the time to identify the hardware as well as the individual components to this product. As you unpack and prepare for assembly, place the contents on a carpeted or padded area to protect them from damage.

- 
- 1** Insert the Legs (D) to the pre-drilled holes of Armless Chair (A), rotate and tighten it.

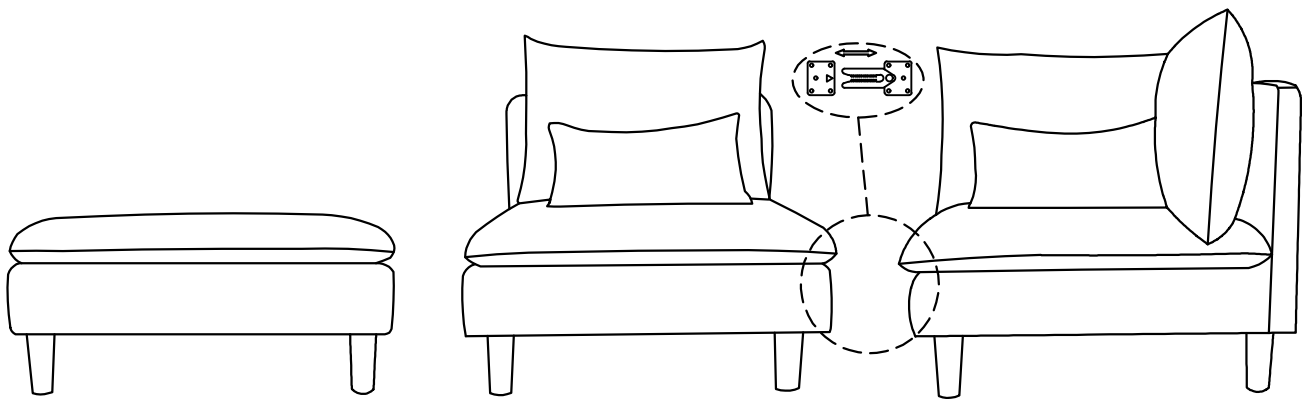


- 
- 2** Put the Back Cushion (B) on Armless Chair (A).





- 
- 4** The Corner can be hooked up with the Armless Chair & Ottoman together as below. The assembly is completed. (Corner & ottoman are not in this carton)



---

### **Cleaning & Care**

Treat surface with care. Surface is resistant to scratches but is not scratch resistant. Clean surfaces with a dry or damp soft cloth. Do not use abrasive cleaners. Hardware may loosen over time. Periodically check that all connections are tight.