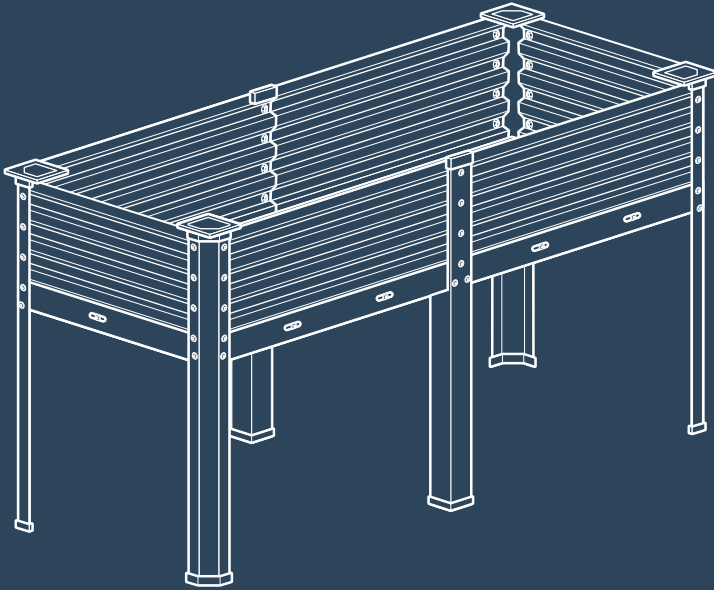




BEST CHOICE
PRODUCTS



INSTRUCTION MANUAL

72" x 24" x 30" Elevated
Galvanized Metal Planter

SKY11208 + SKY11209 + SKY11210 + SKY11211 + SKY11212
SKY11213 + SKY11214 + SKY11215 + SKY11216 + SKY11594
SKY11595 + SKY11596 + SKY11597 + SKY11598

! NOTICE | Please retain these instructions for future reference.

- Please do not exceed the weight limitations of this item. Do not place a load exceeding 400 lbs. into this item's bed.
- Do not stand on or use any part of this item as a step ladder.
- Firmly secure all bolts, screws before use.
- Reconfirm that all bolts, screws are secure every 90 days.
- Do not use or store this item in the proximity of open flame or flammable/combustible chemicals.
- If any parts are missing, broken, damaged, or worn, stop using this item until repairs are made and/or factory replacement parts are installed.
- This product will be difficult to move once fully assembled, it is recommended you assemble this product in its intended destination.
- Do not use this item in a way inconsistent with the manufacturer's instructions as this could void the product warranty.
- This product is intended for residential use only.

CALIFORNIA PROPOSITION 65

⚠ WARNING: This product can expose you to chemicals including Lead and lead compounds, which is known to the State of California to cause cancer and birth defects or other reproductive harm. For more information go to www.P65Warnings.ca.gov

TOOLS REQUIRED



ALLEN WRENCH
(PROVIDED)



SMALL WRENCH
(PROVIDED)



75 GAL
CAPACITY



1 PERSON
ASSEMBLY



UP TO 60 MIN.
ASSEMBLY

HARDWARE

1

M8 x 12mm
SOCKET BOLT



48 PCS

2

M8 x 30mm
SOCKET BOLT



36 PCS

3

M8 NUT



78 PCS

PARTS

A

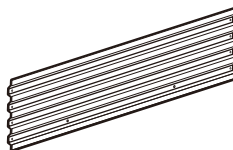
BASE PLATE



2 PCS

B

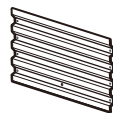
SIDE PANEL



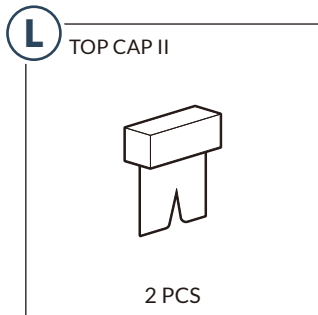
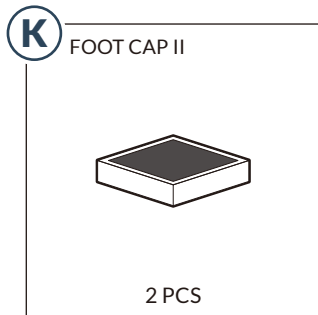
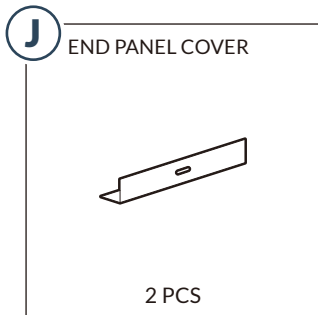
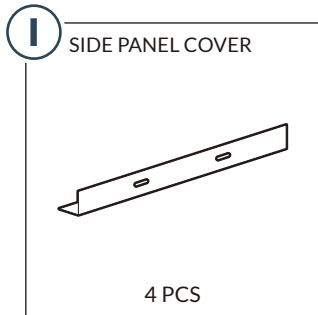
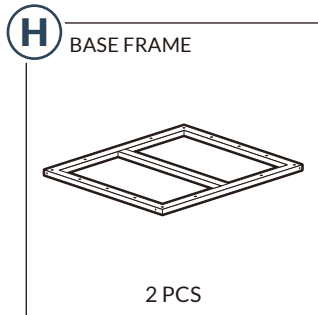
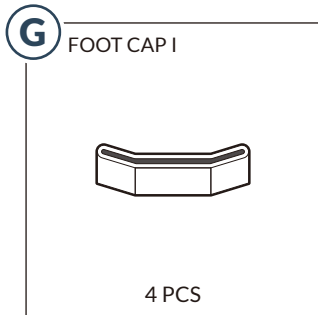
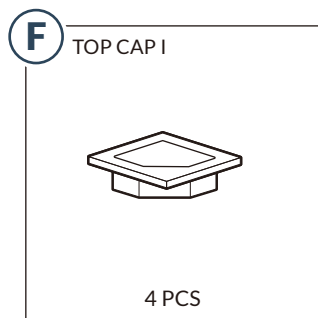
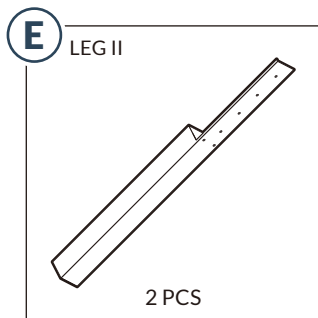
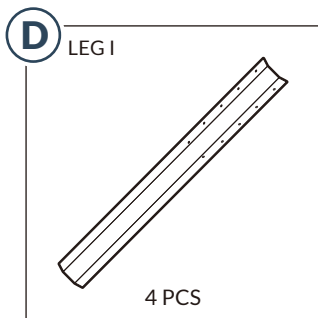
4 PCS

C

END PANEL



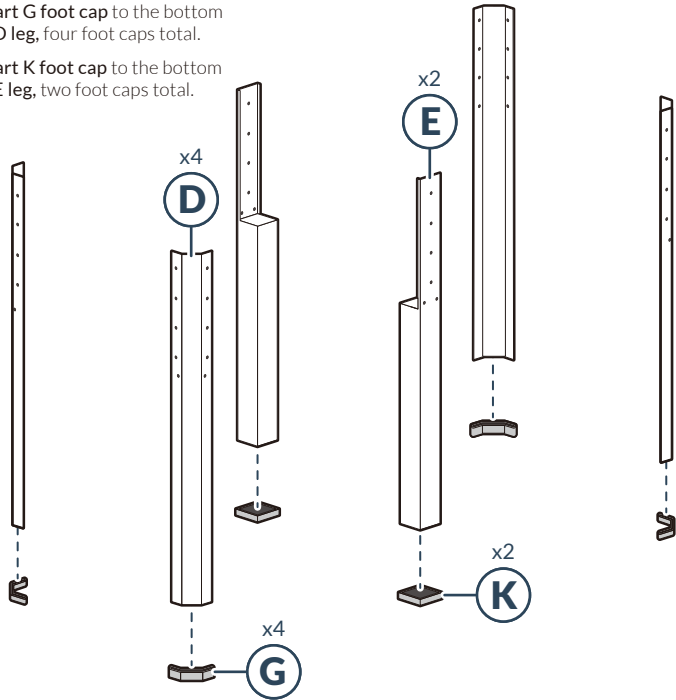
2 PCS



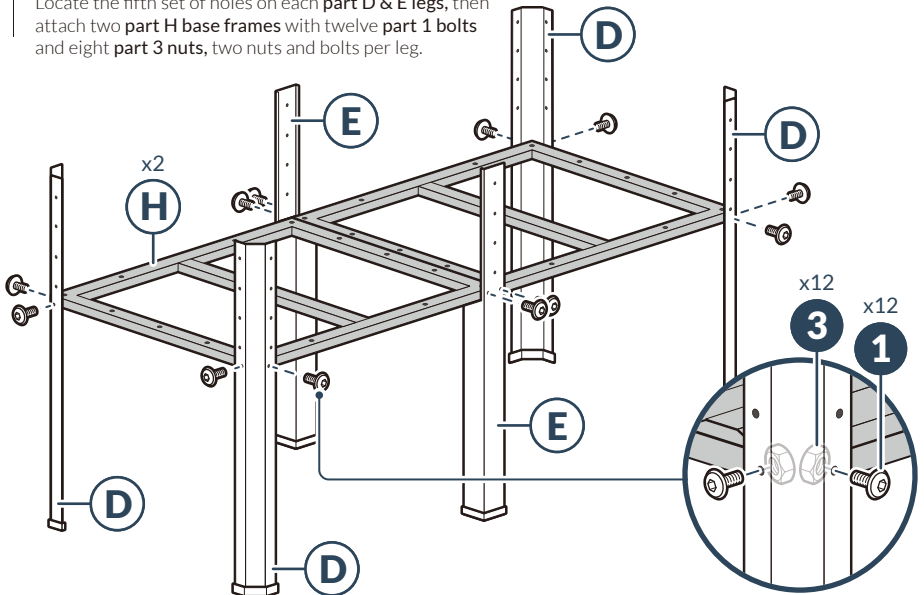
PRODUCT ASSEMBLY

1 | Attach one **part G** foot cap to the bottom of each **part D** leg, four foot caps total.

Attach one **part K** foot cap to the bottom of each **part E** leg, two foot caps total.



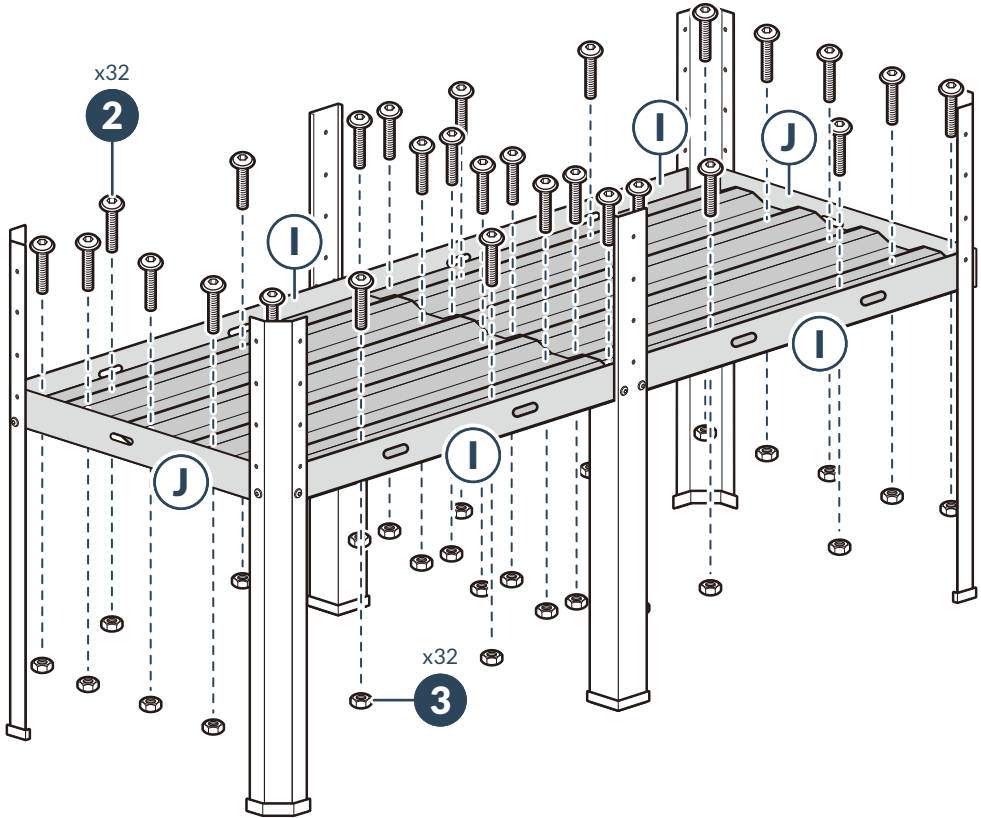
2 | Locate the fifth set of holes on each **part D** & **E** legs, then attach two **part H** base frames with twelve **part 1** bolts and eight **part 3** nuts, two nuts and bolts per leg.



3

Slide four **part I** side panel covers and two **part J** end panel covers between **part D & E** legs.

Place two **part A** base plates on top of the covers, then secure with twenty-eight **part 2** bolts and twenty-eight **part 3** nuts,

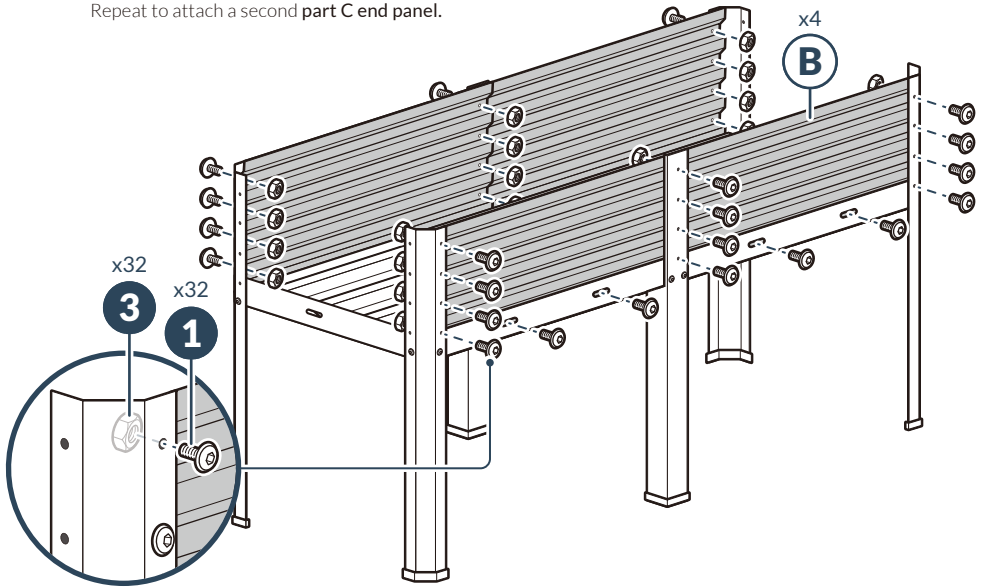


4

Slide two **part B** side panels between two **part D** legs and **part E** leg, then secure with twelve **part 1** bolts and twelve **part 3** nuts, four nuts and bolts per side.

Secure two **part B** side panels to the **part I** side panel cover with four **part 1** bolts and four **part 3** nuts, two nuts and bolts per side.

Repeat to attach a second **part C** end panel.

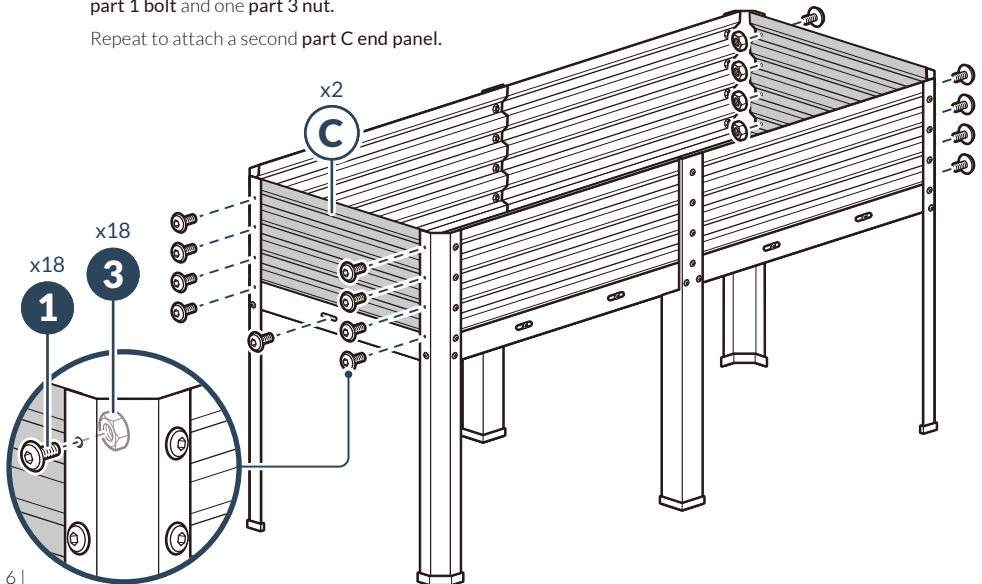


5

Slide one **part C** end panel between two **part D** legs, then secure with eight **part 1** bolts and eight **part 3** nuts, four nuts and bolts per side.

Secure one **part C** end panel to the **part J** end panel cover with one **part 1** bolt and one **part 3** nut.

Repeat to attach a second **part C** end panel.

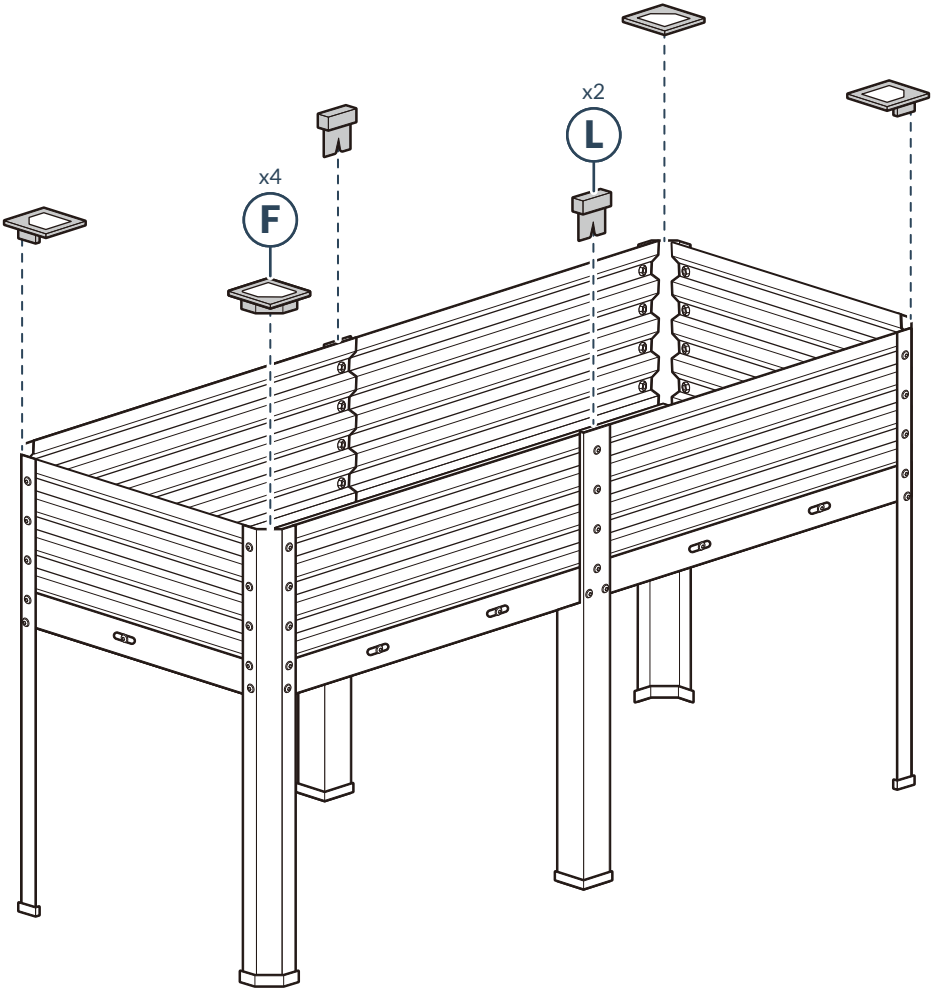


6

Locate four **part F top caps**, then place them on the top of each **part D leg**, press down until secured.

Locate two **part L top caps**, then place them on the top of each **part E leg**, press down until secured.

Tighten all fasteners before use.



PRODUCT USAGE

When filling this garden bed, allow at least one inch of space between the top of the soil bed and the top edge of the side and end panels.

This garden bed is suited for growing medium to deep rooting vegetables such as garlic, strawberries, and brassicas like broccoli or brussels sprouts! Most plants need between 8 and 12 inches for roots to develop.



HELP CENTER

Question about your product? We're here to help. Visit us at:

bestchoiceproducts.com/pages/help



Chat Support



Product Inquiry



Orders FAQ



Product Assembly



Returns & Refunds

PRODUCT WARRANTY INFORMATION

All items can be returned for any reason within 60 days of the receipt and will receive a full refund as long as the item is returned in its original product packaging and all accessories from its original shipment are included. All returned items will receive a full refund back to the original payment method. All returned items will not be charged a re-stocking fee.

All returned items require an RA (Return Authorization) number, which can only be provided by a Best Choice Products Customer Service Representative when the return request is submitted. Items received without an RA may not be accepted or may increase your return processing time. Once an item has been received by Best Choice Products, refunds or replacements will be processed within 5 business days.

All returns must be shipped back to the Best Choice Products Return Center at the customer's expense. If the reason for return is a result of an error by Best Choice Products then Best Choice Products will provide a pre-paid shipping label via email. Boxes for return shipping will not be provided by Best Choice Products, and is the customer's responsibility to either use the original shipping boxes or purchase new boxes.

Pictures may be required for some returns to ensure an item is not damaged prior to its return. Items returned are not considered undamaged until they are received by Best Choice Products and verified as such. All damages to items are the customer's responsibility until the item has been received by and acknowledge by Best Choice Products as undamaged.

© Best Choice Products, Inc. All rights reserved. Distributed by Best Choice Products, Inc. Newport Beach, CA 92660

WARNING

Manufacturer and seller expressly disclaim any and all liability for personal injury, property damage or loss, whether direct, indirect, or incidental, resulting from the incorrect attachment, improper use, inadequate maintenance, unapproved modification, or neglect of this product.