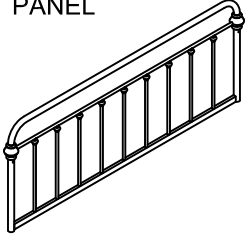
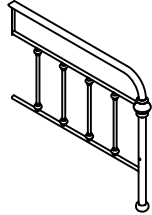
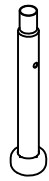
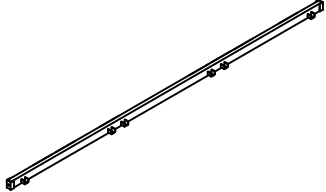
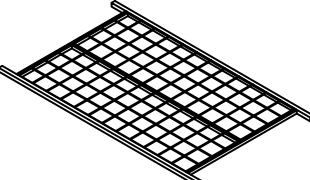



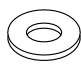

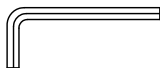

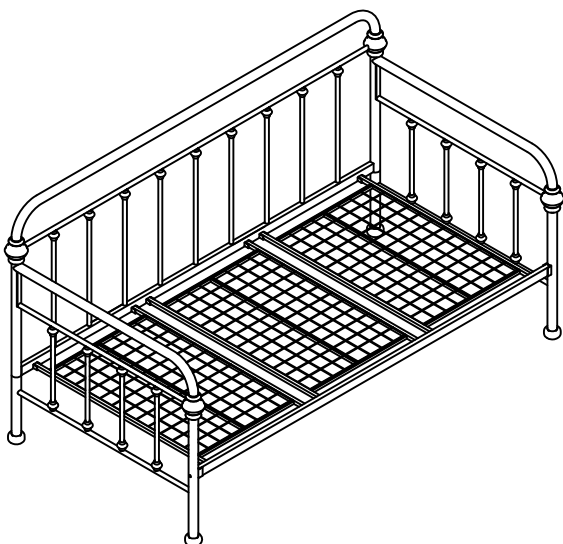


ASSEMBLY INSTRUCTION

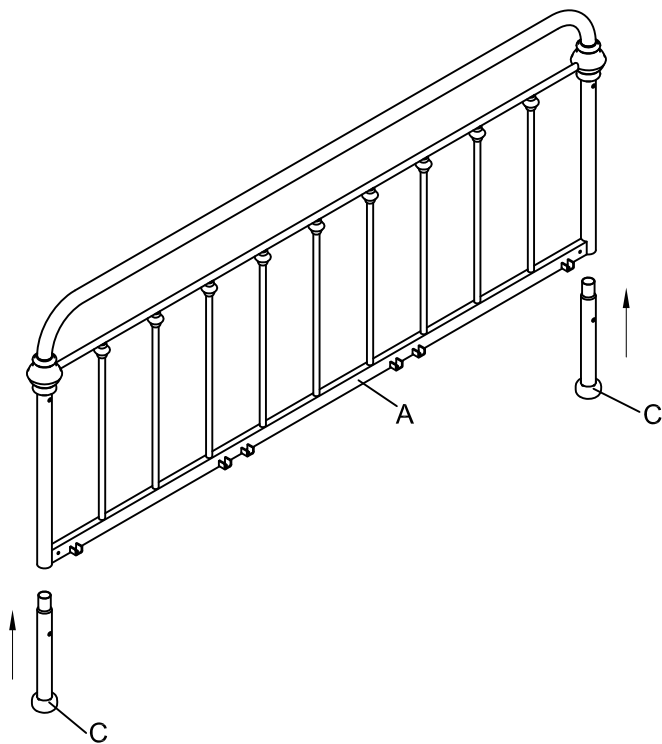
E639B DAYBED

A BACK PANEL  1pc	B SIDE PANEL  2pcs	C EXTENSION LEG  2pcs	D RAIL  1pc
E MATTRESS FRAME  3pcs	F BOLT 5/16"x57MM  2pcs	G BOLT 1/4"x57MM  4pcs	H BOLT 1/4"x16MM  12pcs
I FLAT WASHER 1/4"x φ 16mm  12pcs	J WASHER 5/16"x φ 30mm  2pcs	K ALLEN WRENCH 4x4MM  1pc	L ALLEN WRENCH 5x5MM  1pc

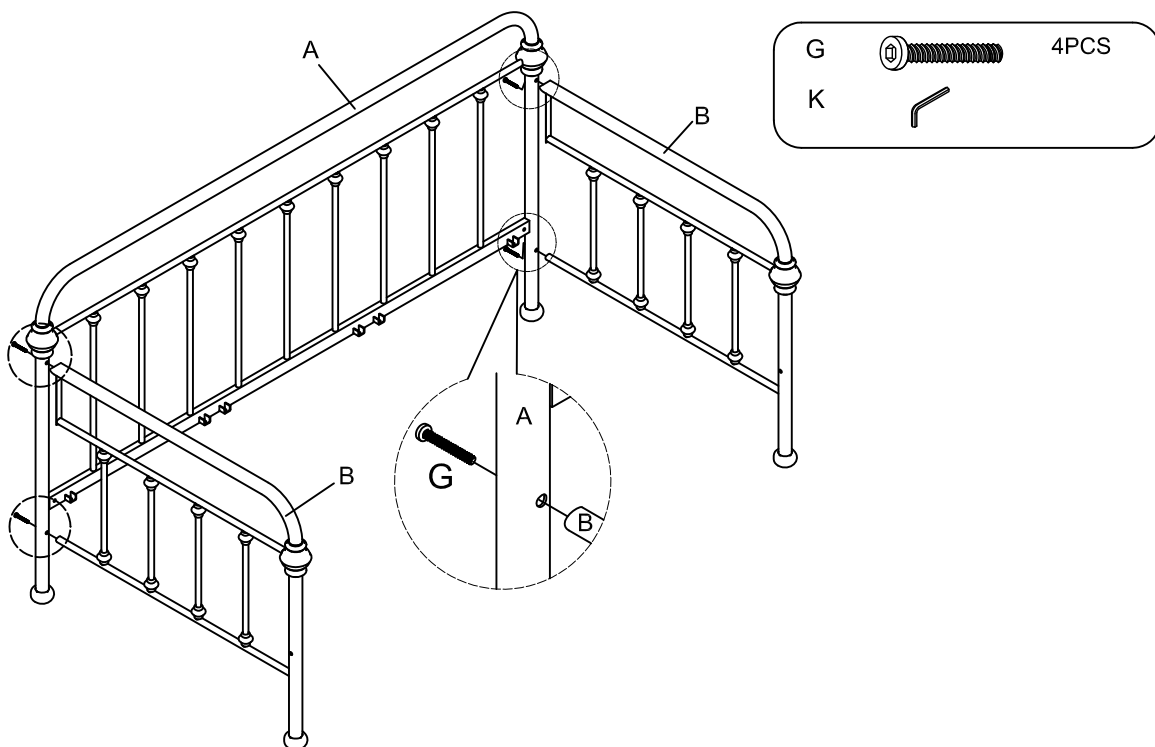


This page lists all the contents included in the box. Please take the time to identify the hardware as well as the individual components to this product. As you unpack and prepare for assembly, place the contents on a carpeted or padded area to protect them from damage.

1 Assemble the back panel (A) to the extension leg (C).

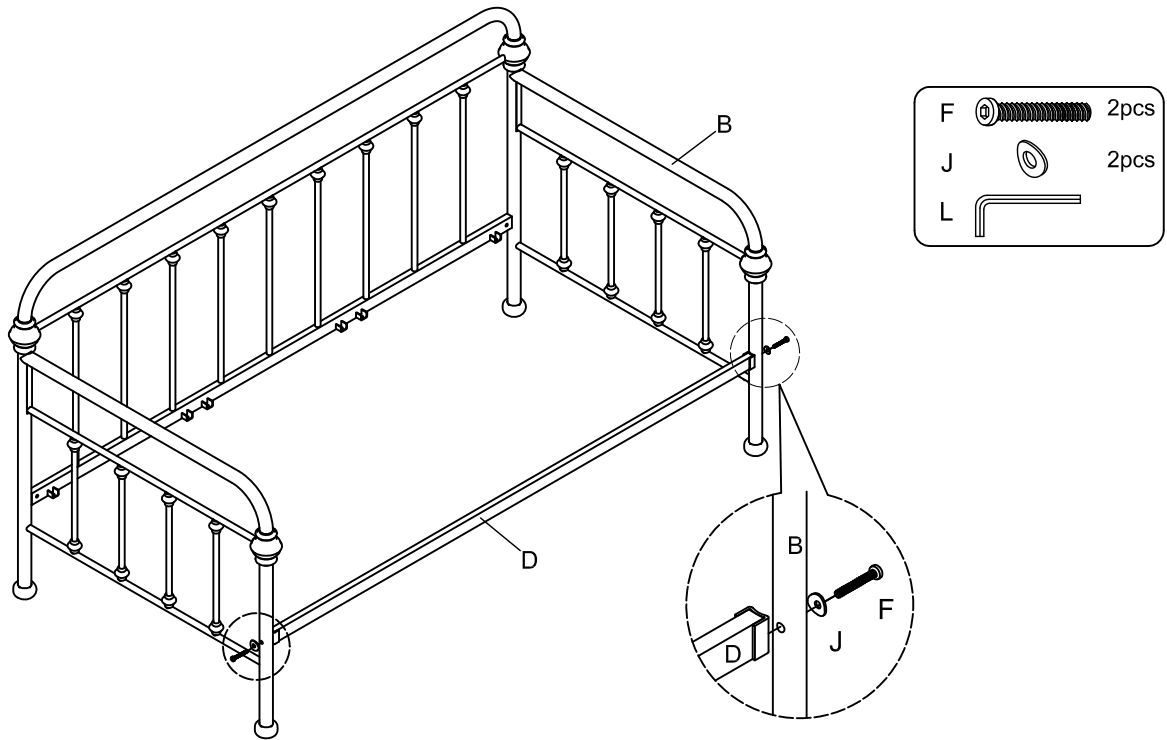


2 Assemble the back panel (A) to the side panel (B) with 4pcs Bolt (G) and fastened using allen wrench (K).

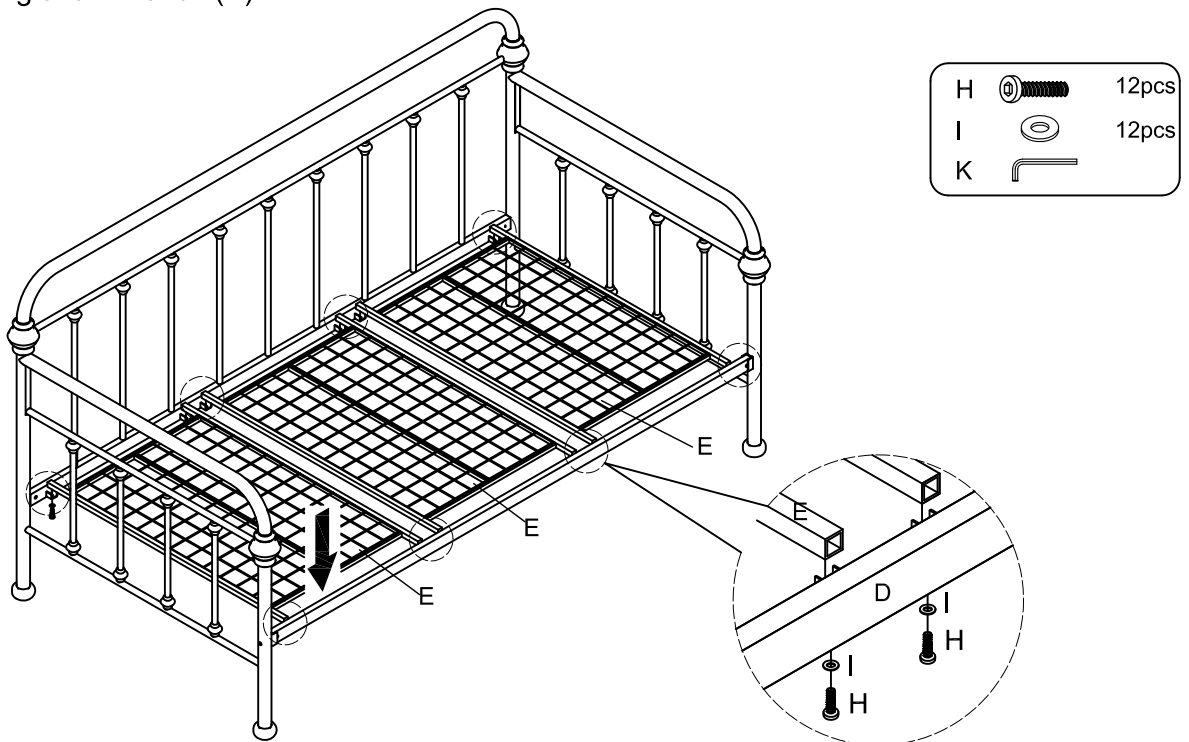


3

Assemble the rail (D) to the side panel (B) with 2pcs bolt (F), and 2pcs flat washer (J) then fastened using allen wrench (L).

**4**

Assemble the mattress frame (E) with 12pcs bolt (H) and 12pcs flat washer (I) then fastened using allen wrench (K).



Cleaning & Care

Treat surface with care. Surface is resistant to scratches but is not scratch resistant. Clean surfaces with a dry or damp soft cloth. Do not use abrasive cleaners. Hardware may loosen over time. Periodically check that all connections are tight.