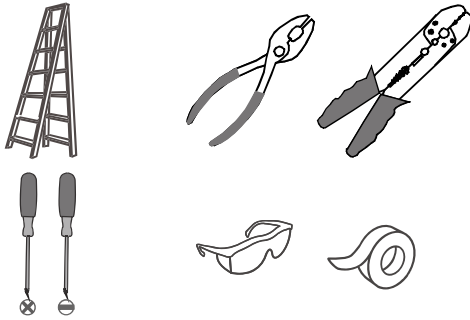
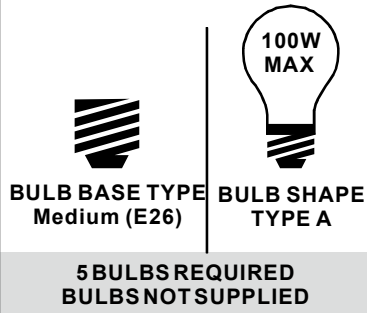


Tools Required



Light Source



**Fixture Height Adjustable
16.75" to 46.75"**

⚠ Warnings and Cautions

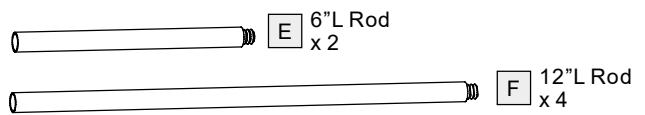
Turn off the electricity at the circuit breaker before installation. Consult a licensed electrician if in doubt about installation.

Turn off power to the fixture and allow the bulbs to cool before replacing.

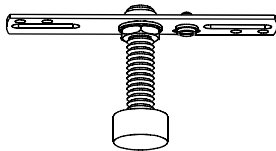
Package Contents

Preparation: Identify and inspect all parts before beginning the installation.

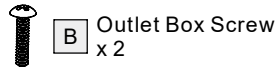
Missing or damaged parts? Contact your original place of purchase.



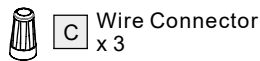
PARTS BAG



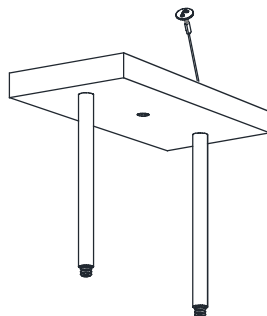
A Crossbar Assembly x 1



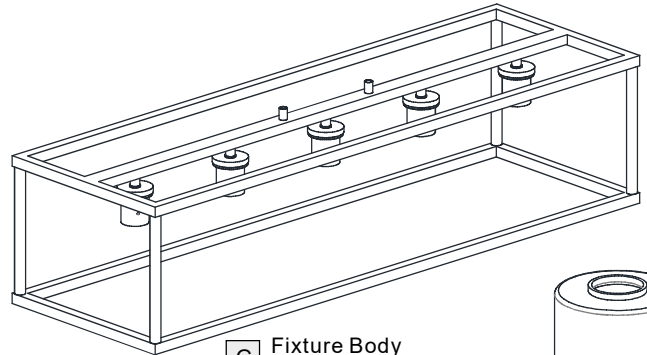
B Outlet Box Screw x 2



C Wire Connector x 3



D Ceiling Canopy Assembly x 1



G Fixture Body x 1

Shade x 5 **H**

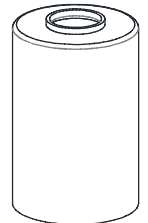
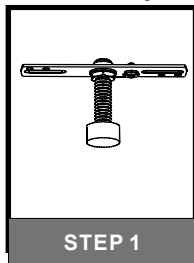


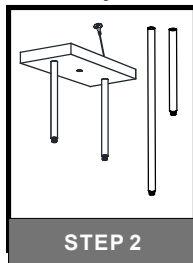
Table of Contents

Crossbar Assembly



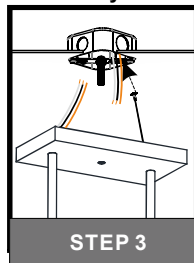
STEP 1

Ceiling Canopy Assembly & Rods



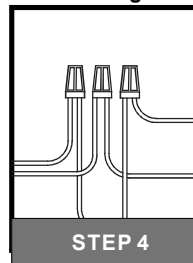
STEP 2

Lanyard



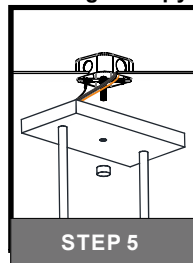
STEP 3

Wiring



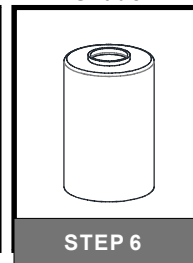
STEP 4

Ceiling Canopy



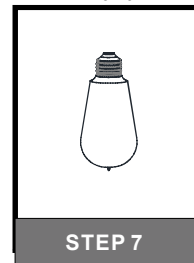
STEP 5

Shade



STEP 6

Bulb

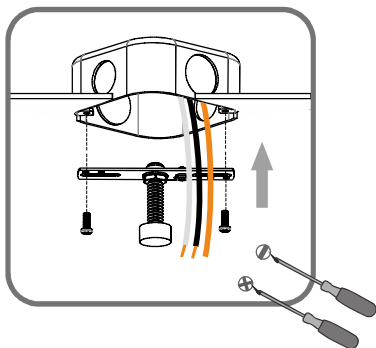


STEP 7

STEP 1

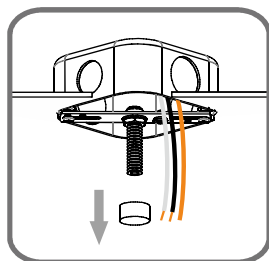
1

Step 1
Install crossbar assembly

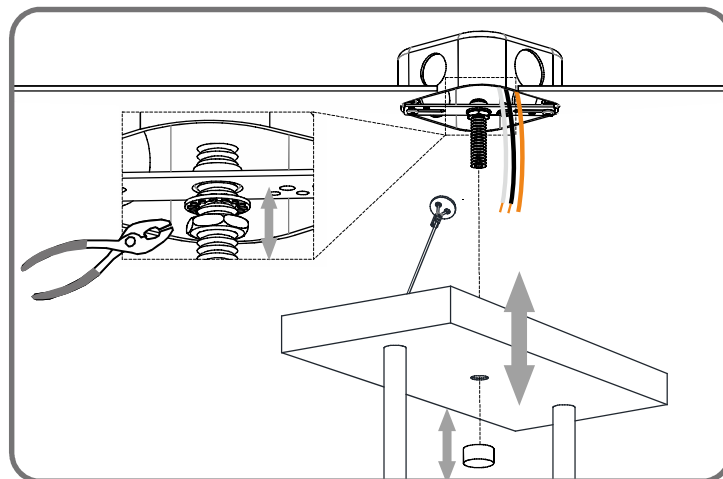


2

Step 2 - 3
Test fitting ceiling canopy to nipple



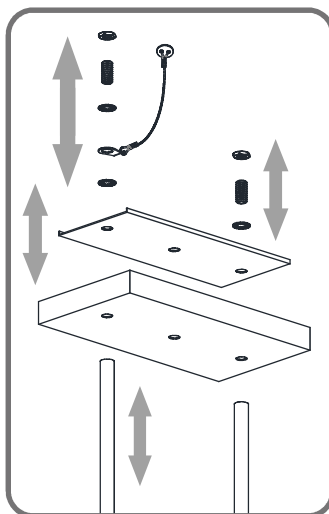
3



STEP 2

1

Remove 6" L rod from ceiling canopy

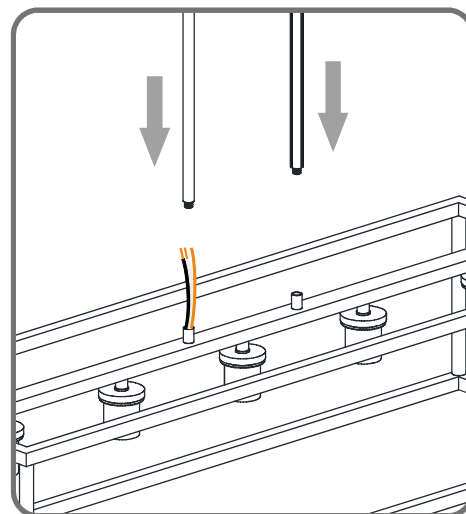


Install ceiling canopy and lanyards back onto upper rod

3

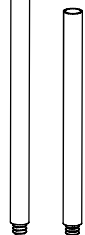
2

Install rods to fixture body

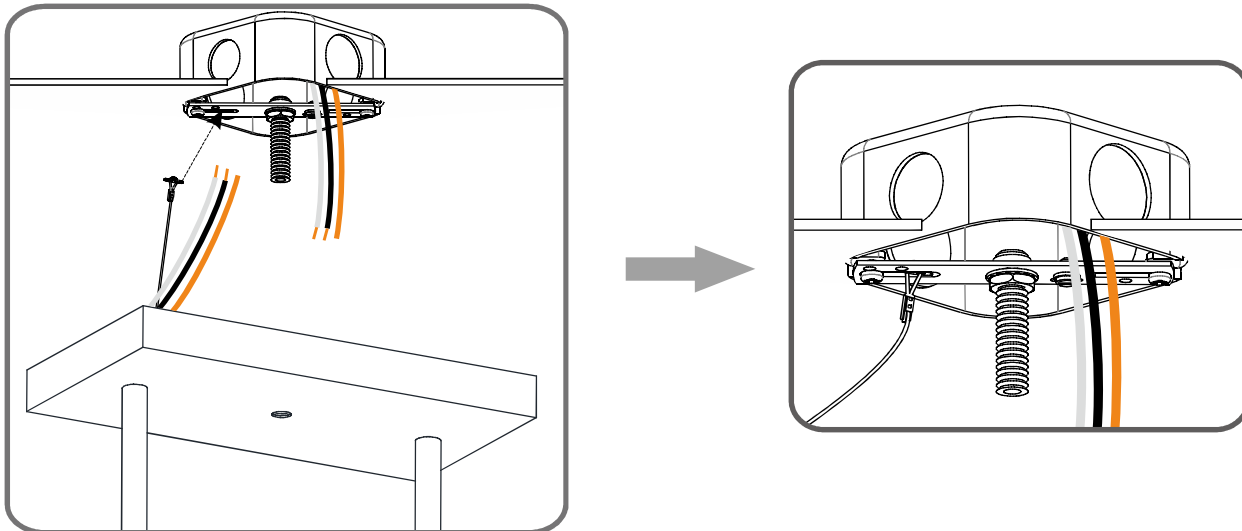


Optional Rods

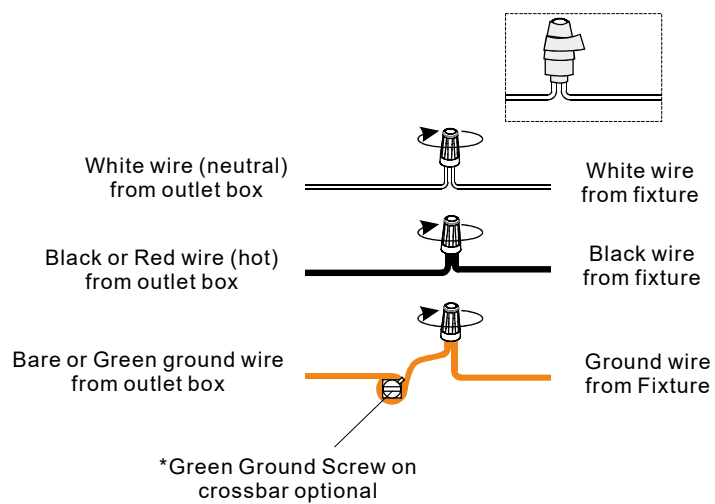
- 8' ceiling:
(2) 6" L + (2) 12" L rods
- 9' ceiling:
(2) 6" L + (4) 12" L rods
- 10' ceiling:
(4) 6" L + (4) 12" L rods



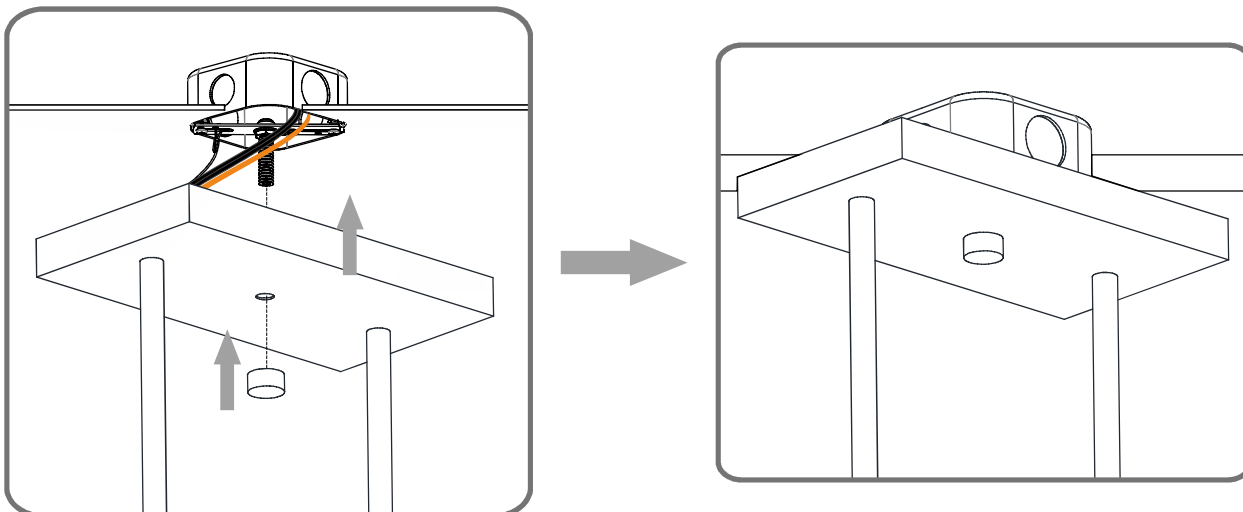
STEP 3



STEP 4



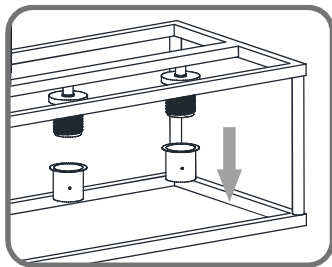
STEP 5



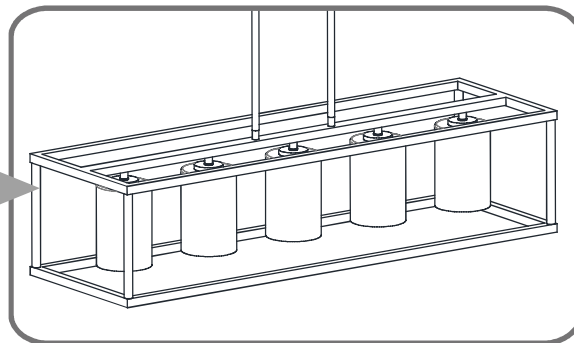
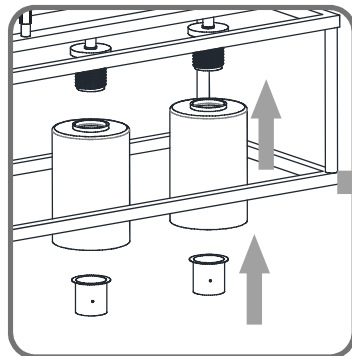
STEP 6

1 ----- 2

Remove socket collar



Install shade



STEP 7

