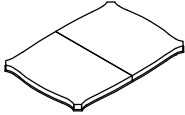
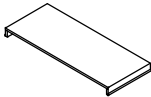





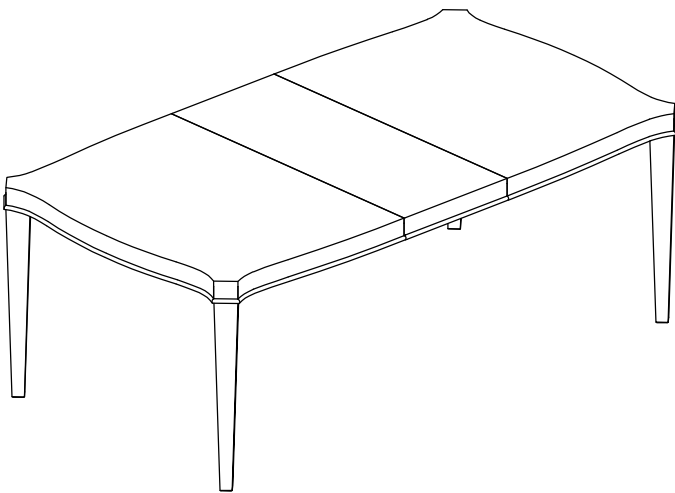


# ASSEMBLY INSTRUCTION

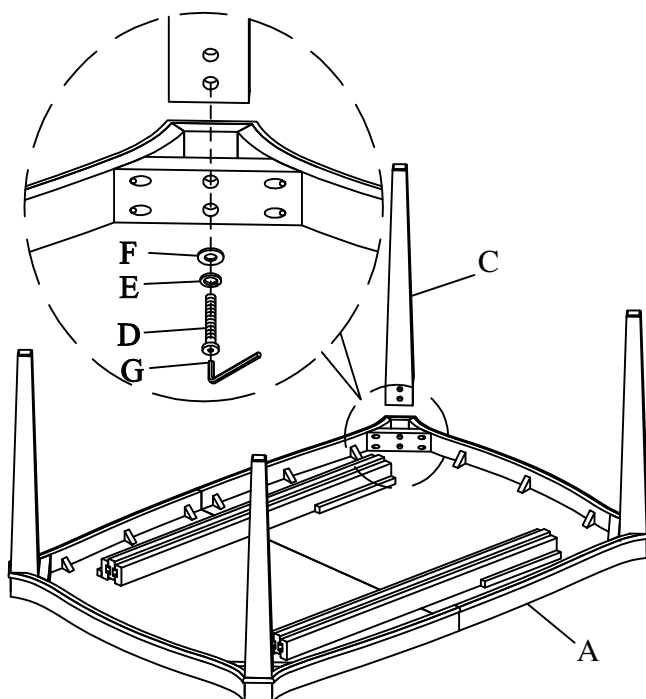
## DINING TABLE 64"-82" WITH LEAF

<b>A</b> Table Top  1 pc	<b>B</b> Table Leaf  1 pc	<b>C</b> Table Leg  4 pcs	<b>D</b> Allen Bolt Ø5/16"x64mm  8 pcs
<b>E</b> Lock Washer Ø5/16"xØ11mm  8 pcs	<b>F</b> Flat Washer Ø5/16"xØ19mm  8 pcs	<b>G</b> Allen Key 4mm  1 pc	

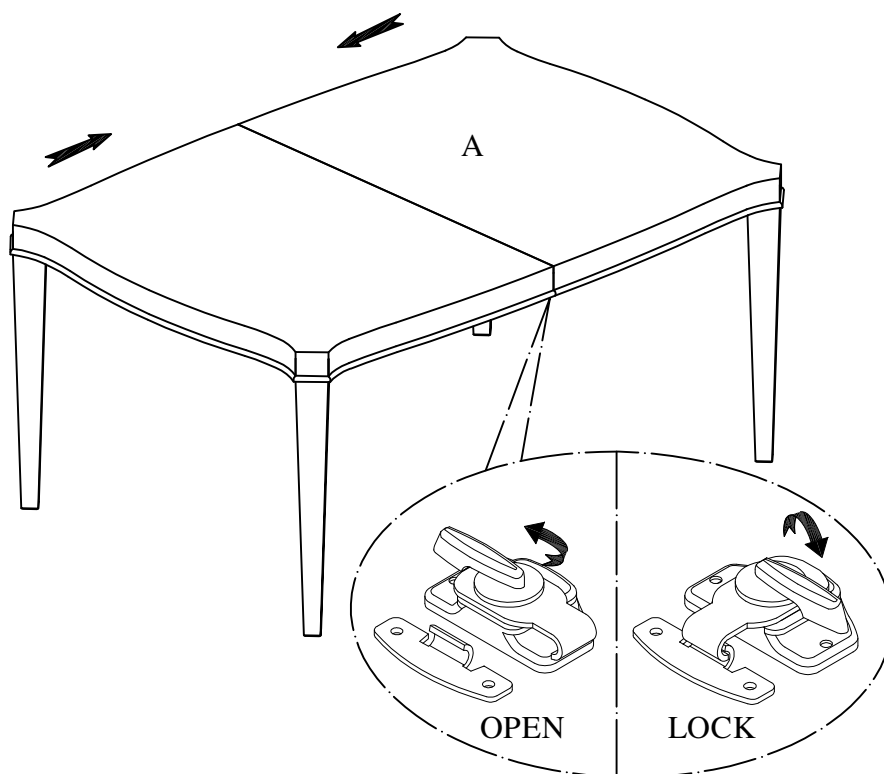


This page lists all the contents included in the box. Please take the time to identify the hardware as well as the individual components to this product. As you unpack and prepare for assembly, place the contents on a carpeted or padded area to protect them from damage.

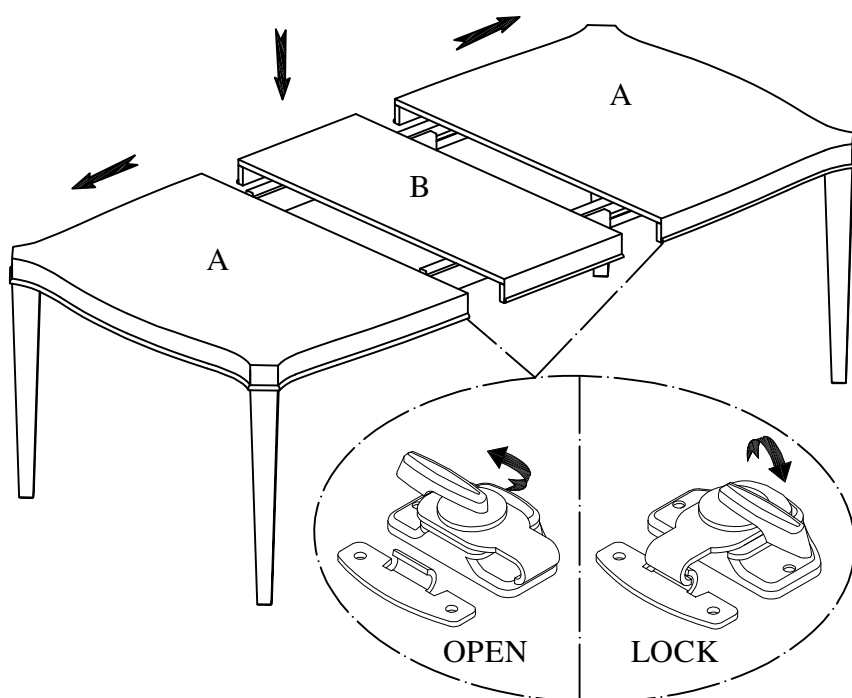
- 1** Turn Table Top (A) upside down on a soft surface such as a carpet or cloth. Attach Legs (C) to Table Top (A) by using Flat Washer (F), Lock Washer (E), Allen Bolt (D) and Allen Key (G).



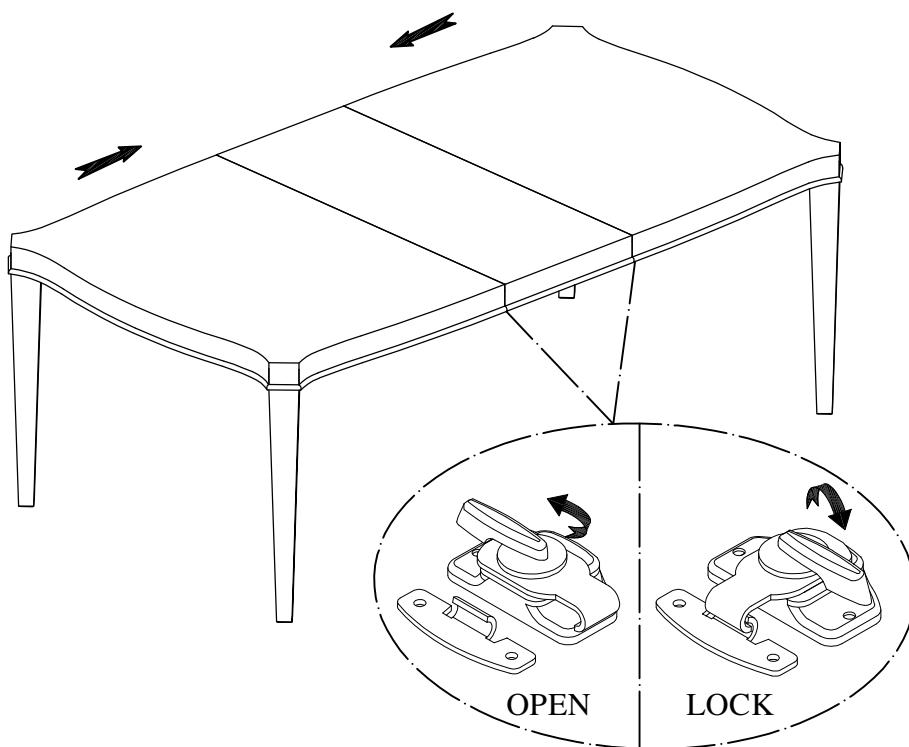
- 2** Turn the Table upright on a flat surface so that the Table will not wobble. Tighten all Allen Bolt (D) by using Allen Key (G). Unlock the sash locks underneath the Table Top (A).



**3** Pull out the Table Top (A) from both sides and put the Table Leaf (B) in the middle.



**4** Push Table Top (A) to close position till reach the Table Leaf (B) then lock the sash locks.



#### Cleaning & Care

Treat surface with care. Surface is resistant to scratches but is not scratch resistant. Clean surfaces with a dry or damp soft cloth. Do not use abrasive cleaners. Hardware may loosen over time. Periodically check that all connections are tight.