

### Features

- Set includes cabinet, precut quartz vanity top, backsplash, sink, cabinet hardware
- Four full-extension 17" (432 mm) drawers with soft-close side-mount slides
- Three-way adjustable slow-close door hinges for easy cabinet access
- 20" (508 mm) cabinet interior provides ample storage space
- Finish-matched cabinet interior offers generous clearance for plumbing
- Vanity top has 8" (203 mm) widespread faucet holes; requires deck-mount faucet (sold separately)
- Vibrant® Brushed Nickel hardware included on White vanities, Vibrant Brushed Moderne Brass hardware on Ferrous Grey and Tidal Blue vanities, and Matte Black hardware on Light Oak vanities
- White (GWT) quartz vanity top and backsplash add beauty and long-lasting durability
- Coordinates with White (GWT) quartz side splash (sold separately)

### Material

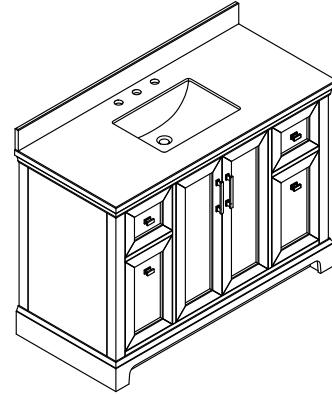
- Vitreous china sink
- Solid wood and moisture-resistant MDF

### Installation

- Separate vanity top makes for simplified installation
- Easy installation – no special tools required

### Recommended Products/Accessories

K-38554 4" x 21-11/16" quartz side splash



### Codes/Standards

ASME A112.19.2/CSA B45.1




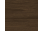
### KOHLER® One-Year Limited Warranty

See website for detailed warranty information.

### Available Colors/Finishes

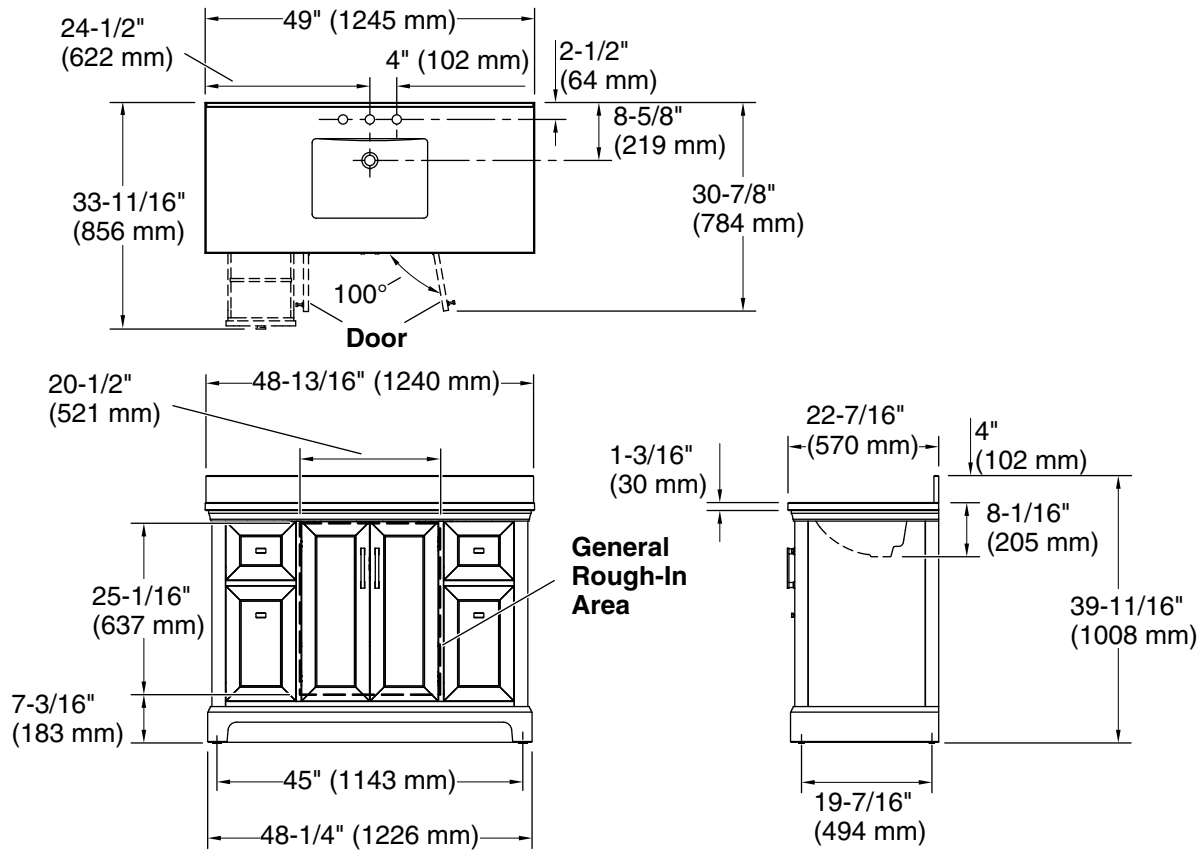
*Color tiles intended for reference only.*

#### Color Code Description

	0	White
	DWG	Ferrous Grey
	TDB	Tidal Blue
	WEK	Light Oak
	DAK	Draper Oak
	UMG	



**Charlemont™**  
 48" bathroom vanity cabinet with sink and quartz top  
**K-29262-BD1**



**Technical Information**

All product dimensions are nominal.

Lighting included: No

**Notes**

Install this product according to the installation instructions.

Select the type of fastener based upon the wall material. Two 250 lb (113.4 kg) minimum load bearing fasteners are recommended.