

SMOKE & CO COMBO ALARM

CAT. **SC02B/SC02LB**



Intelligent Sensing
Technology™

**10YR CO SENSOR
10YR ALARM LIFE**

SMOKE & CO COMBO

Electrochemical CO sensor; Ionization smoke sensor.

SILENCE FEATURE

Silences nuisance alarms.

END OF LIFE SIGNAL

Provides audible notice when alarm needs to be replaced after 10 years.

LATCHING ALARM INDICATOR

Remembers which unit initiated an alarm.

Available in the following versions:

SC02B Alkaline Battery
SC02LB Long Life Lithium battery



Listed to
**UL 217 &
UL 2034
Standards**

BRK®

THE PROFESSIONAL STANDARD

9V Battery Powered

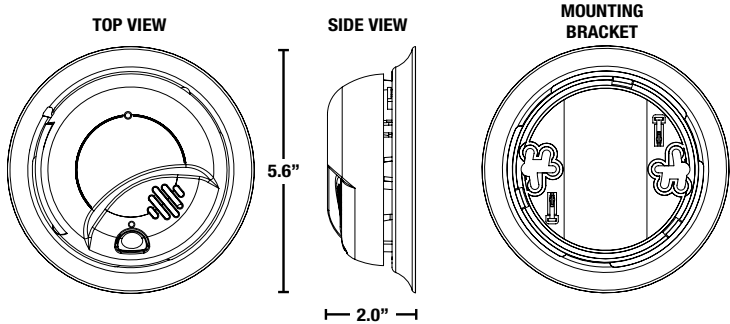
Description:

The BRK Brands, Inc. model No SC02 is a battery powered single station combination smoke and carbon monoxide alarm specifically designed for residential and institutional applications including sleeping rooms of hospitals, hotels, motels, dormitories and other multi-family dwellings as defined in standard NFPA 101 Model SC02 complies with UL217, UL2034, CSFM, NFPA 72, NFPA 720, HUD, FHA and other agencies that model their codes after the above agencies. They meet building codes where battery powered smoke and carbon monoxide alarms are required either separately or in combination.

The BRK cat. number SC02B/SC02LB features a dual ionization smoke sensing chamber and an electrochemical carbon monoxide sensor, 9V battery powered, an 85dB horn, an End of Life and a silence feature. The SC02B features a 9V alkaline battery and the SC02LB a 9V long life lithium battery. "Intelligent Sensing Technology" is designed to reduce nuisance alarms. "Latching Alarm Indicator" remembers which unit initiated an alarm. The unit that triggered the alarm will store in memory or "latch" the information and begin to flash the LED indicator 2 seconds on, 2 seconds off. The "Perfect Mount" system features a gasketless base and a mounting bracket that keeps the alarm secure over a wide rotation range to allow for true alignment. A single button test/silence button eliminates confusion. Battery installation and removal can occur while the unit is mounted to the ceiling or wall via the side load battery compartment. Other Contractor Preferred features include a dust cover to keep alarm clean during construction. Two locking features are provided to prevent battery theft and/or theft of the unit. Designed for wall or ceiling mounting. Includes mounting anchors and screws.



CAT. **SCO2B/SCO2LB**



ARCHITECTURAL AND ENGINEERING SPEC

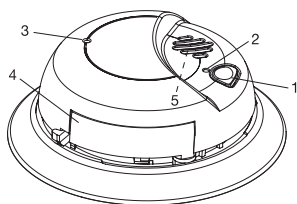
The combination smoke and CO alarm shall be a BRK Model SCO2 and shall provide at a minimum the following features and functions:

1. An ionization smoke sensing chamber and an electrochemical CO sensor both with a 10 year service life.
2. Powered by a supervised 9V battery (SCO2B uses alkaline, SCO2LB lithium) and features a solid state piezo horn rated at 85dB at 10 ft. and the unit shall be capable of self restoring.
3. The unit shall perform self diagnostic tests and issue a malfunction warning (three chirps) if the unit malfunctions.
4. The unit shall have an "End of Life" signal (5 chirps). This signal should be capable of temporarily being silenced for up to 2 days. After about 2 days, the signal will resume. After about 2-3 weeks the signal cannot be silenced.
5. A visual power-on indicator to confirm unit is receiving power. Separate LED 's to indicate a smoke or CO alarm.
6. The CO sensor is adjusted not to detect CO levels below 30 PPM and will not alarm when exposed to constant levels of 30 PPM for 30 days. It will alarm at the following levels: 400 PPM CO between 4 and 15 minutes, 150 PPM CO between 10 and 50 minutes and 70 PPM CO between 60 and 240 minutes.
7. Two Latching features: Alarm Latch to easily identify initiating alarm after alarm condition has subsided. Low battery latch: to visually identify which unit is in low battery condition. Two Silence Features: Alarm Silence to temporarily silence nuisance alarms. Low Battery Silence to silence low battery chirp for up to 8 hours.
8. Two Locking features - tamper resistant locking pins that lock battery drawer and/or alarm to mounting bracket.
9. The unit shall be capable of operating between 40°F (4°C) and 100°F (38°C) and relative humidity between 10% and 95%.
10. The unit shall contain mounting hardware and shall be listed for wall or ceiling mounting.
11. The unit shall at a minimum meet the requirements of UL217 and UL2034, CSFM, NFPA 72 and 720 and the ICC.

INSTALLATION OF ALARM

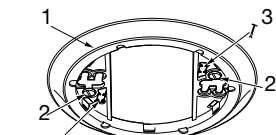
Installation of this smoke alarm must conform to NFPA 72. Always check your local building codes. Follow all instructions for placement as outlined in the user's manual.

THE PARTS OF THIS SMOKE ALARM



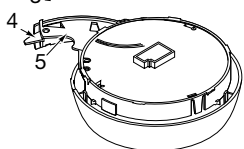
TOP OF ALARM

1. Test/Silence Button
2. Power Light (Green)/Smoke Alarm light (Red)
3. CO Alarm Light (Red)
4. Battery Drawer
5. Behind Cover: Alarm 85 dB horn



BOTTOM OF ALARM

1. Mounting bracket
2. Mounting slots
3. Locking Pins
4. Battery Drawer Latch
5. Battery Drawer - Install
6. 9V battery here



TECHNICAL SPECS

Alarm Dimensions:	5.6" dia. x 2.0"H
Weight:	7.6 oz
Operating Voltage:	9V battery powered (alkaline or lithium)
Temperature Range:	40°F (4°C) to 100°F (38°C)
Humidity Range:	10% to 95% relative humidity (RH)
Audio Alarm:	85dB at 10 feet
Test/Silence:	Electronically simulates smoke or CO condition, causing the unit to alarm. Press and hold test/silence button.
Alarm Reset:	Automatic when smoke or CO clears
Smoke Sensor:	Dual Ionization
CO Sensor:	Electrochemical
Indicator Lights/Sounds:	
DC Power:	Intermittent Green LED
Local Alarm:	Red LED flashes rapidly
Latching Alarm:	Red LED flashes 2 sec. on/2 sec. off after local alarm
Low Battery Latch:	Green LED flashes on for 2 seconds, off for 2 seconds. Note: Latching features are active for 15 minutes only.
Listing:	Listed to UL217 and UL2034 Standards

SHIPPING SPECS

Individual Carton Dimensions	5.69"L x 2.25"W x 5.59"H
Weight	0.59 lbs.
Cube	0.04 ft ³
UPC	0 29054 00089 7: SCO2B 0 29054 00736 0: SCO2LB
Master Carton Dimensions	14.43"L x 6.19"W x 12.63"H
Master Pack	12
Weight	7.6 lbs.
Cube:	0.65 ft ³
I2of5:	200 29054 00089 1: SCO2B 800 29054 00736 6: SCO2LB

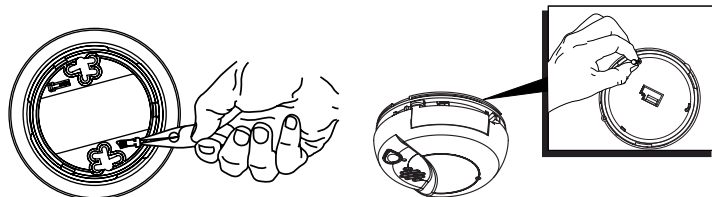
Pallet Information

Cases per Layer	19
Number of Layers:	3
Cases per Pallet:	57
Units per Pallet:	684
Cube:	42.2 ft ³
Weight:	498 lbs.

BATTERY DRAWER LOCK

Remove Pin from Mounting Bracket

Close Door. Insert Pin in Holes through alarm and Battery Drawer



©2015 BRK Brands, Inc. a Jarden Corporation
Company (NYSE: JAH)
3901 Liberty Street Road
Aurora, IL 60504-8122
All rights reserved

First Alert is a registered trademark of the First Alert Trust
BRK is a registered trademark of BRK Brands, Inc.
CM3236