

## Adjustable Brass Strainer for Kitchen Sinks

Model #: 2804-



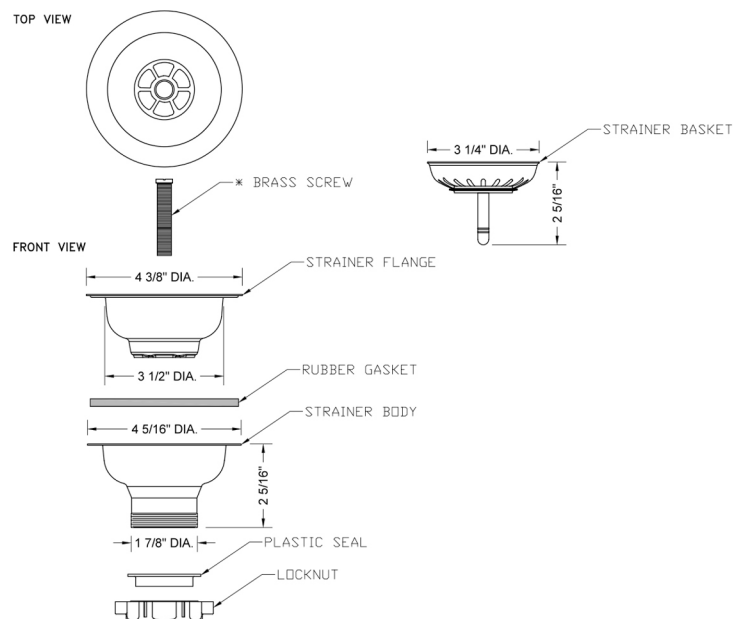
### FEATURES:

- 4 1/2" flange diameter fits 3 1/2" drilling
- Complete post-type sinke strainer assembly
- All brass body
- Adjusts to fit sinks up to 2" thick
- Fits most kitchen sink brands
- Spring loaded ball detent with positive open position
- Includes 2 1/2" adjustment screw for thick sinks
- Post extension available (P/N 2804-XL-POST), allows for a max extension of 3"
- Can use 1 1/2" flanged tailpiece

### AVAILABLE FINISHES:

Polished Chrome (PCH)	Satin Chrome (SC)	Bronze Umber (BU)
Satin Nickel (SN)	Pewter (PEW)	Caramel Bronze (CB)
Polished Nickel (PN)	Antique Brass (AB)	Antique Copper (ACU)
Oil-Rubbed Bronze (ORB)	Polished Brass (PB)	Polished Copper (PCU)
Vintage Bronze (VB)	Satin Brass (SB)	Matte Black (MBK)
Satin Gold (SG)	Polished Gold (PG)	Black Nickel (BKN)
White (WH)	Unlacquered Brass (ULB)	Satin Cooper (SCU)
Almond (ALD)	Amber (AMB)	Azure Blue (AZB)
Coral (COR)	Mint Green (GRN)	Stone Grey (GRY)
Lilac (LAC)	Light Blue (LBL)	Limon (LIM)
Plum (PLM)	Pink (PNK)	Red (RED)
Graphite (GPH)	Aged Urban Brass (AUB)	

### SPECIFICATION DRAWING:



### COMPLIANCES:

Complies with: ASME A112.18.2-2015/CSA B125.2-15