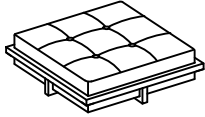


ASSEMBLY INSTRUCTION

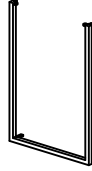
COUNTER HEIGHT STOOL

A Cushion



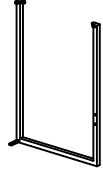
1 PC

B Left Frame



1 PC

C Right Frame



1 PC

D Rail



1 PC

E Support Leg



1 PC

F Long Bolt

1/4"*3/4"



8 PCS

G Bolt
1/4"*1/2"



8 PCS

H Spring Washer
1/4"



8 PCS

I Flat Washer
1/4"

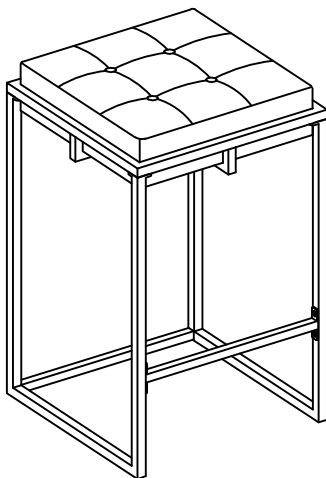


8 PCS

J Allen Key
M4

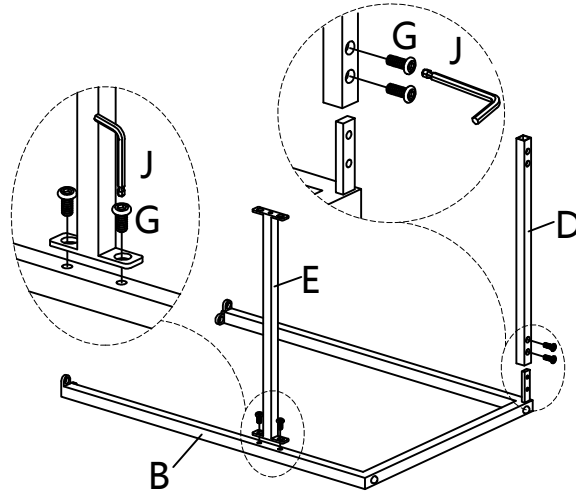


1 PC

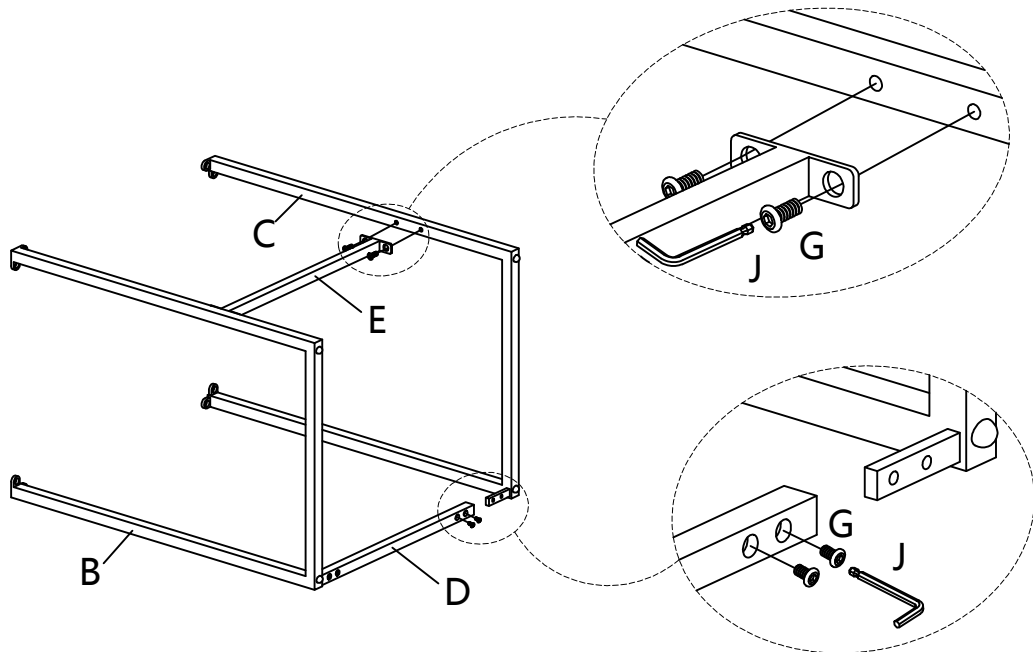


This page lists all the contents included in the box. Please take the time to identify the hardware as well as the individual components to this product. As you unpack and prepare for assembly, place the contents on a carpeted or padded area to protect them from damage.

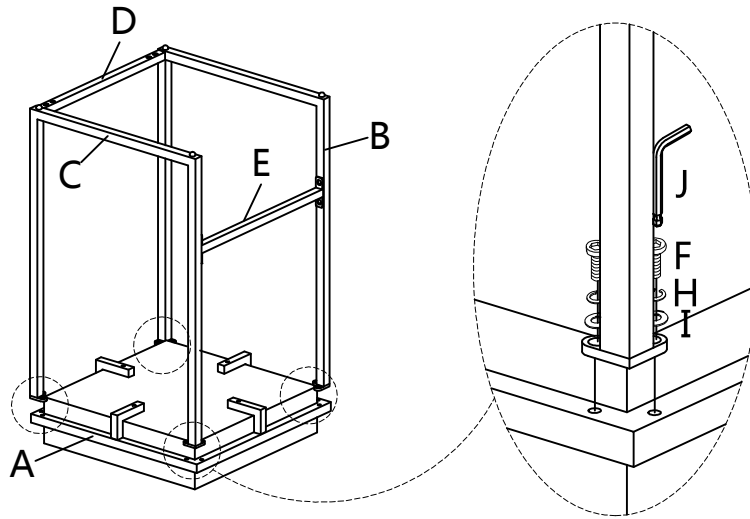
- 1** Attach Rail (D) and Support Leg (E) to Left Frame (B) using Bolt (G) with Allen Key (J).
Note: At this stage, do not fully tighten the Bolts.



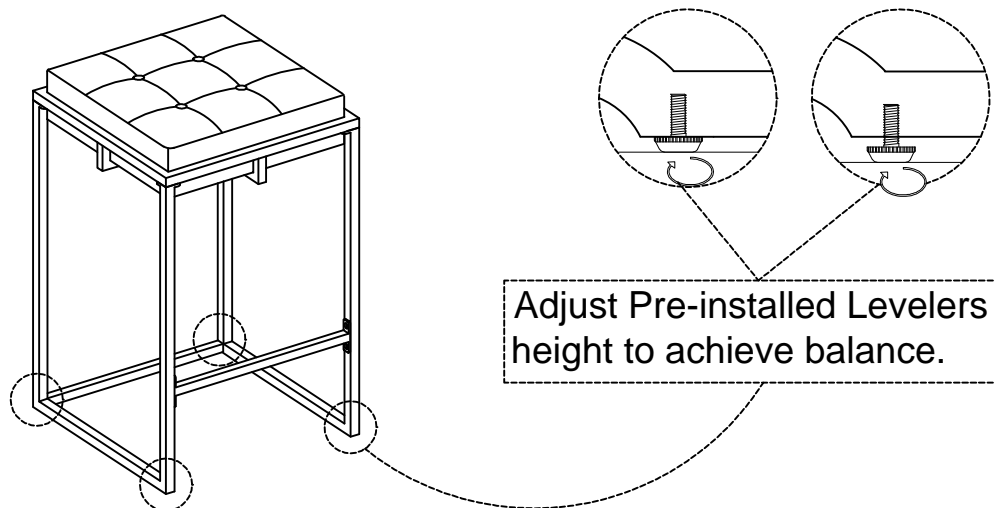
- 2** Insert Right Frame (C) to Rail (D) and Support Leg (E) using Bolt (G) with Allen Key (J).
Note: At this stage, do not fully tighten the Bolts.



- 3** Attach Left Frame (B) and Right Frame (C) to bottom of the Cushion (A) using Long Bolt (F), Spring Washer (H), Flat Washer (I) with Allen Key (J).
Note: Tighten all Bolts at all joints fully in a sequential manner at this stage.



- 4** With assistance from an adult partner, stand the Stool up. Adjust the Pre-installed Levelers at the bottom of the Left Frame (B) and Right Frame (C) until the Stool levels with the ground.



Cleaning & Care

Treat surface with care. Surface is resistant to scratches but is not scratch resistant. Clean surfaces with a dry or damp soft cloth. Do not use abrasive cleaners. Hardware may loosen over time. Periodically check that all connections are tight.