

VGA over Cat5 Video Extender Kit with Audio, RS232 and IR Control

ST121UTPSA / ST121UTPSAGB / ST121UTPSAEU

DE: Bedienungsanleitung - de.startech.com

FR: Guide de l'utilisateur - fr.startech.com

ES: Guía del usuario - es.startech.com

IT: Guida per l'uso - it.startech.com

NL: Gebruiksaanwijzing - nl.startech.com

PT: Guia do usuário - pt.startech.com

Packaging Contents

- 1 x Transmitter (Local) Unit
- 1 x Receiver (Remote) Unit
- 1 x IR Transmitter Module
- 1 x IR Receiver Module
- 2 x Power Adapter
- 1 x Instruction Manual

System Requirements

- VGA enabled video source device (e.g. computer)
- VGA enabled video display device (e.g. monitor)
- Available AC electrical outlet for both transmitter/receiver
- VGA cables to connect display and source
- Cat5/Cat6 cabling (see Preparing Your Site)
- **OPTIONAL:** RS232 serial cables and/or 3.5mm audio cables

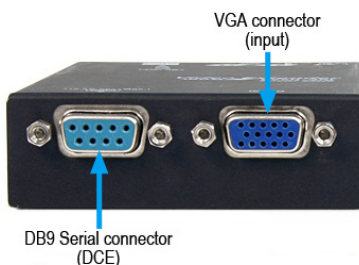
Preparing Your Site

1. Determine where the local video source (i.e. computer) will be located and set up the device.
2. Determine where the remote display will be located and place/mount the display appropriately.
3. If you are using surface cabling, ensure you have enough Cat5/6 unshielded twisted pair (UTP) Ethernet cabling to connect the Local Unit to the Remote Unit's location, and that each end is terminated with a RJ45 Ethernet connector. The cabling should not go through any networking equipment (i.e. router, switch).

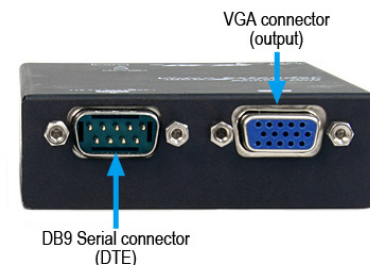
OR

If you are using premise cabling, ensure that the Cat5/6 unshielded twisted pair (UTP) Ethernet Cabling between the Local Unit and the Remote Unit has been properly terminated in a wall outlet/panel in each location and there is a patch cable long enough to connect the Remote Unit and the Local Unit to their respective outlets. The cabling should not go through any networking equipment (i.e. router, switch).

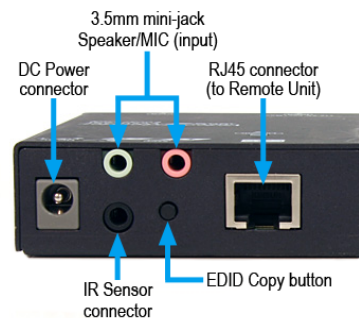
Local Unit



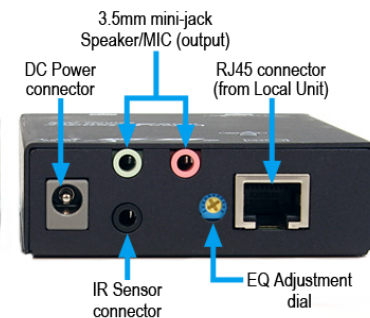
Remote Unit



Local Unit



Remote Unit



*actual product may vary from photos

Installation

1. Turn off the video source (i.e. computer) and the intended display device (i.e. monitor).
2. Position the Remote Unit near the intended display.
3. Position the Local Unit near the video source.
4. Connect the video source to the VGA connector on the Local Unit. If using audio, connect the speaker and Mic output from the source device to the Local Unit using 3.5mm audio cables.
5. **OPTIONAL:** If using RS232 serial, connect a 9-pin serial cable from the source to the Local Unit.
6. **OPTIONAL:** If using an IR remote, connect the IR transmitter to the Local Unit and position the transmitter appropriately.
7. Connect the remote display to the VGA connector on the Remote Unit. If using audio, connect the speakers and Mic using 3.5mm audio cables.
8. **OPTIONAL:** If using RS232 serial, connect a 9-pin serial cable from the remote device to the Remote Unit.
9. **OPTIONAL:** If using an IR remote, connect the IR receiver to the Remote Unit and position the receiver appropriately.
10. Connect the Local Unit to the Remote Unit, using standard RJ45 terminated Cat5 cable (see Preparing Your Site).
11. Connect the power adapters to both Local and Remote Units. The Power LED will light blue, if connected properly.
12. Turn on the display device and video source.

EDID Copy

EDID is information that is stored in compliant display devices that contain the list of screen resolutions that are supported by the display. This is used by the video source to determine what video resolution to output, to prevent incompatibility or possible damage of the display.

NOTE: Some video sources will not output any video signal without EDID present.

As EDID is not transmitted over the UTP cabling, to ensure compatibility, the Local Unit can be set to either clone the EDID of the remote display, or use its own EDID information to send to the video source.

Load Default

When connecting to a display that does not support EDID, the extenders internal EDID can be used.

1. Power on the Local Unit.
2. Press and hold the EDID Copy button for several seconds until the Power LED flashes red.

Clone EDID

To copy the EDID information from the remote display:

1. Power on the Local Unit.
2. Connect the VGA display to the VGA connector on the Local Unit and power the display on.
3. Press and hold the EDID Copy button for several seconds until the Power LED flashes green, then release the button.
4. The LED will turn solid green once the cloning is complete.

NOTE: If the LED flashes red, an error has occurred with the cloning process. Check the setup and try the steps again. Continued failure may indicate a non EDID compliant display device.

Supported Video Resolutions

Cat5 Cable

Cable Length	Maximum Video Resolution
50 ft (15m)	1920 x 1200
100 ft (30m)	1920 x 1200
250 ft (75m)	1920 x 1200
500 ft (150m)	1024 x 768

Cat6 Cable

Cable Length	Maximum Video Resolution
50 ft (15m)	1920 x 1200
100 ft (30m)	1920 x 1200
250 ft (75m)	1920 x 1200
500 ft (150m)	1024 x 768

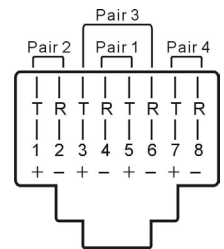
Specifications

Video Signal	VGA (RGBHV)
Connectors (Local Unit)	1 x DE-15 VGA female 1 x RJ45 Ethernet female 1 x DB9 female 1 x 3.5mm IR female 2 x 3.5mm Audio female 1 x DC Power female
Connectors (Remote Unit)	1 x DE-15 VGA female 1 x RJ45 Ethernet female 1 x DB9 male 1 x 3.5mm IR female 2 x 3.5mm Audio female 1 x DC Power female
LEDs (per Unit)	1 x Power/Status
Maximum Video Resolution	1920 x 1200 @ 76m / 250ft
Serial Protocol	RS232
Maximum Data Transfer Rate	Serial: 115.2 Kbps
Maximum Distance	150m / 500ft @ 1024 x 768
Enclosure Material	Metal
Power Adapter	5VDC, 2000mA, center positive
Operating Temperature	0°C ~ 40°C (32°F ~ 104°F)
Storage Temperature	-10°C ~ 60°C (14°F ~ 140°F)
Humidity	0% ~ 80% RH
Dimensions per Unit (LxWxH)	104.0mm x 76.0mm x 25.0mm
Weight (per Unit)	304g

Wiring Diagram

The UTP cable must be wired according to the EIA/TIA 568B industry standard as shown below.

Pin	Wire Color	Pair
1	White/Orange	2
2	Orange	2
3	White/Green	3
4	Blue	3
5	White/Blue	1
6	Green	3
7	White/Brown	4
8	Brown	4



FCC Compliance Statement

This equipment has been tested and found to comply with the limits for a Class B digital device, pursuant to part 15 of the FCC Rules. These limits are designed to provide reasonable protection against harmful interference in a residential installation. This equipment generates, uses and can radiate radio frequency energy and, if not installed and used in accordance with the instructions, may cause harmful interference to radio communications. However, there is no guarantee that interference will not occur in a particular installation. If this equipment does cause harmful interference to radio or television reception, which can be determined by turning the equipment off and on, the user is encouraged to try to correct the interference by one or more of the following measures:

- Reorient or relocate the receiving antenna.
- Increase the separation between the equipment and receiver.
- Connect the equipment into an outlet on a circuit different from that to which the receiver is connected.
- Consult the dealer or an experienced radio/TV technician for help.

Use of Trademarks, Registered Trademarks, and other Protected Names and Symbols

This manual may make reference to trademarks, registered trademarks, and other protected names and/or symbols of third-party companies not related in any way to StarTech.com. Where they occur these references are for illustrative purposes only and do not represent an endorsement of a product or service by StarTech.com, or an endorsement of the product(s) to which this manual applies by the third-party company in question. Regardless of any direct acknowledgement elsewhere in the body of this document, StarTech.com hereby acknowledges that all trademarks, registered trademarks, service marks, and other protected names and/or symbols contained in this manual and related documents are the property of their respective holders.

Technical Support

StarTech.com's lifetime technical support is an integral part of our commitment to provide industry-leading solutions. If you ever need help with your product, visit www.startech.com/support and access our comprehensive selection of online tools, documentation, and downloads.

For the latest drivers/software, please visit www.startech.com/downloads

Warranty Information

This product is backed by a three year warranty.

In addition, StarTech.com warrants its products against defects in materials and workmanship for the periods noted, following the initial date of purchase. During this period, the products may be returned for repair, or replacement with equivalent products at our discretion. The warranty covers parts and labor costs only. StarTech.com does not warrant its products from defects or damages arising from misuse, abuse, alteration, or normal wear and tear.

Limitation of Liability

In no event shall the liability of StarTech.com Ltd. and StarTech.com USA LLP (or their officers, directors, employees or agents) for any damages (whether direct or indirect, special, punitive, incidental, consequential, or otherwise), loss of profits, loss of business, or any pecuniary loss, arising out of or related to the use of the product exceed the actual price paid for the product. Some states do not allow the exclusion or limitation of incidental or consequential damages. If such laws apply, the limitations or exclusions contained in this statement may not apply to you.