
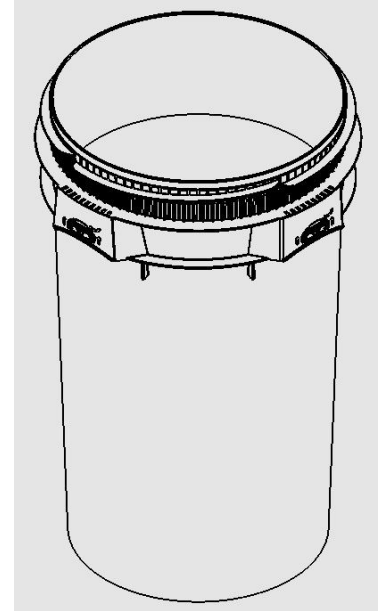


UN Certification:  1H2/Y41/S

Pail Specification

Origin of Materials	100% US Manufactured
Material	High Density Polyethylene (HDPE)
Mfg. Method	Injection Molding
Weight	4 lbs /1787g
Min. Wall Thickness	0.12"
Exterior Height	16" With Cover 16 1/8"
Top Inside Diameter	13 3/8"
Bottom Outside Diameter	12 1/4"
Standard Color	White Please inquire about custom colors
Print Area	8" x 32"
Shipping Quantity	63 Units per Pallet 2520 Units per Truckload
Top Load Rating	475 lbs.



DISCLAIMER
THIS INFORMATION IS PROVIDED AS A GENERAL GUIDE, INCLUDING DIMENSIONS. IT IS THE CUSTOMER'S RESPONSIBILITIES TO SELECT THE PROPER CONTAINER FOR PRODUCT AND APPLICATION COMPATIBILITY.

DISTRIBUTED BY:



REF NO.:

DWG30265

DESCRIPTION:

7.7 Gallon HDPE Screw Top Pail, Life Latch, UN Rated