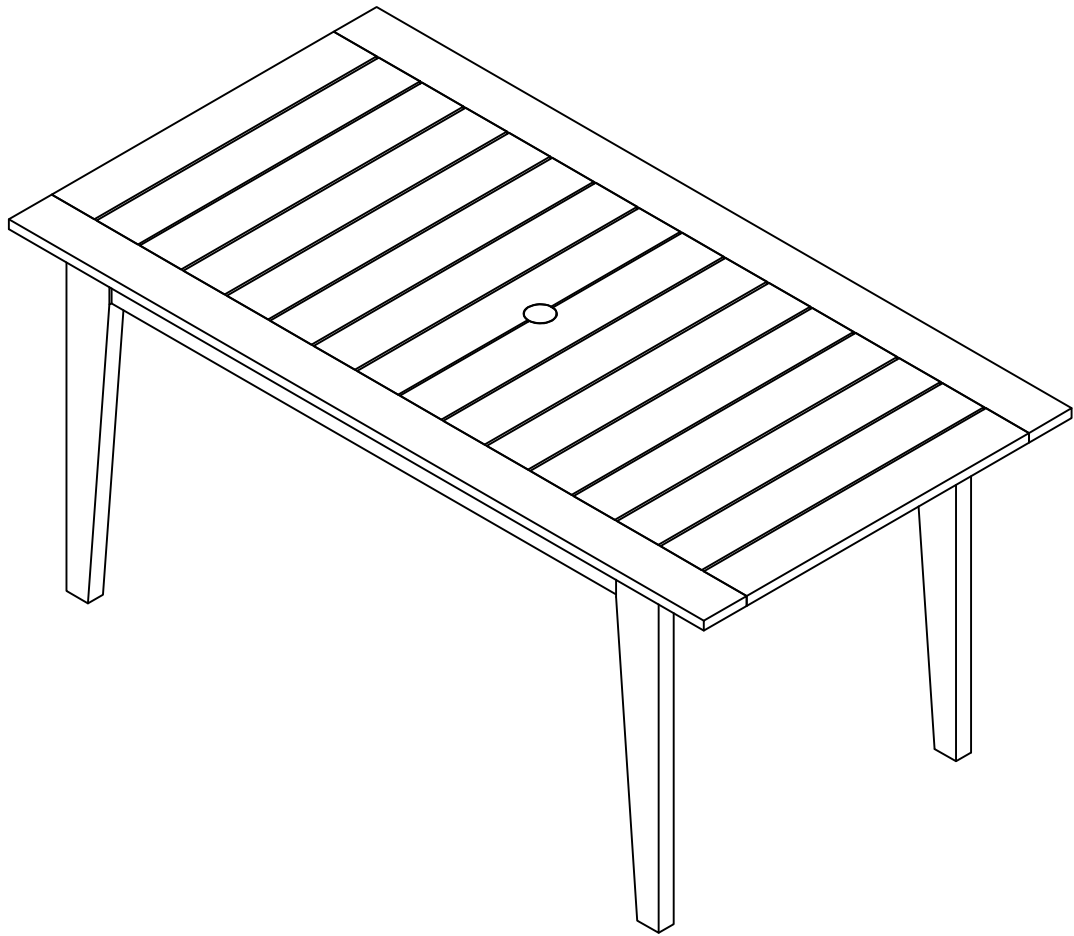


ASSEMBLY INSTRUCTION

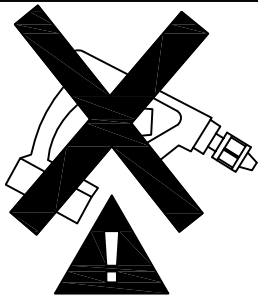
Dining Table

80-OUTD-WD-DT 64"Lx34"Wx30"H

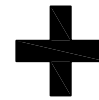
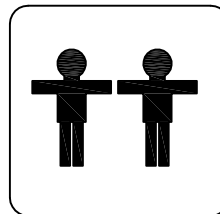


Customer Service

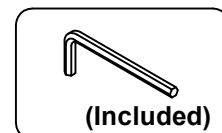
If you have any questions about assembly or possible missing parts, please contact us and we will be glad to assist you. Contact us through our website: www.TeamCustomerService.com



. Use of power tool to assemble this product will invalidate any claim and damage this product making it unsafe !!!
. Please assemble on a clean soft surface to avoid damage.

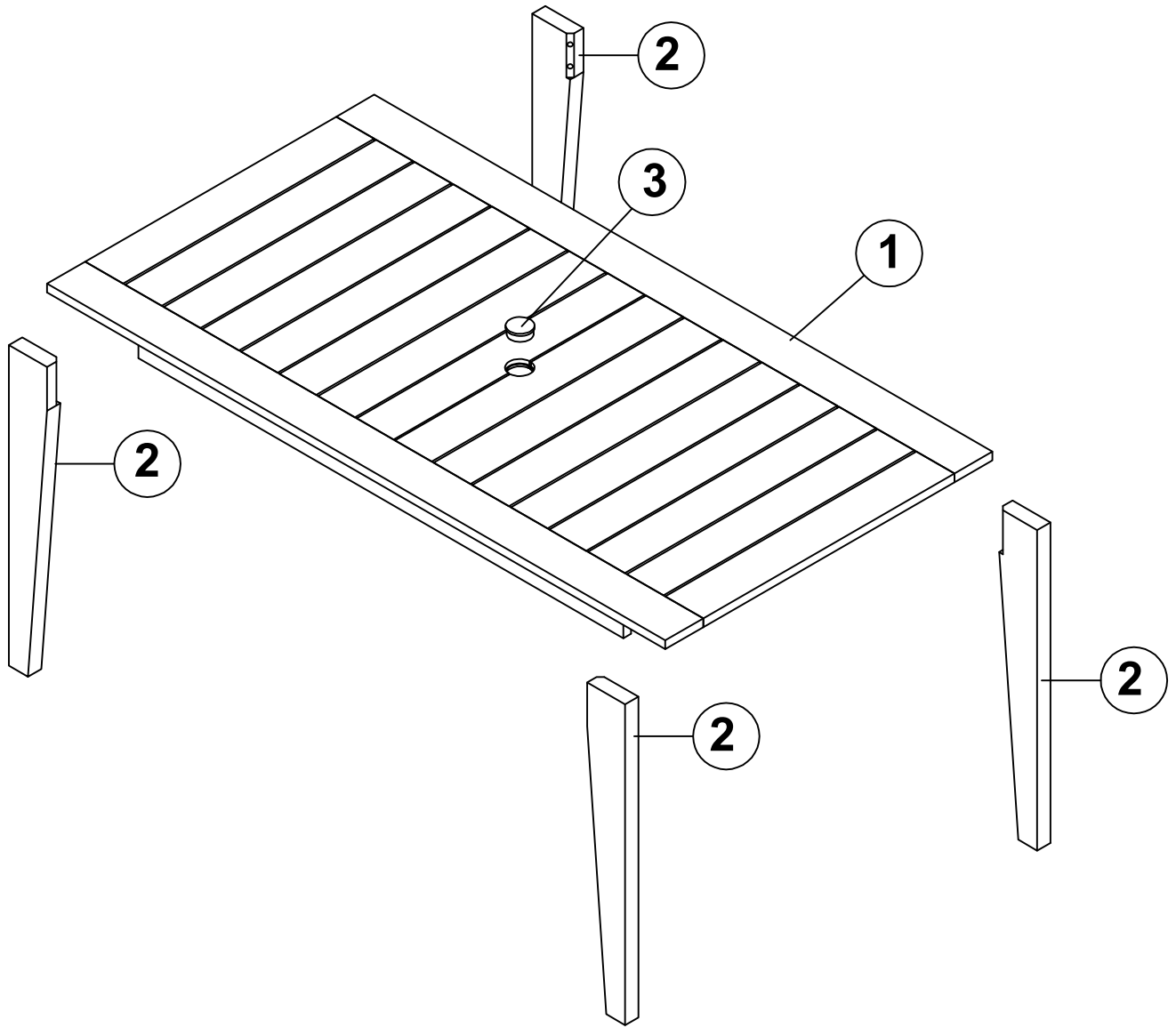


Tools Required

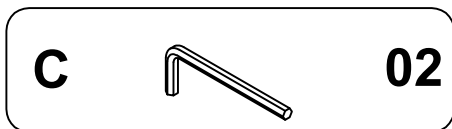
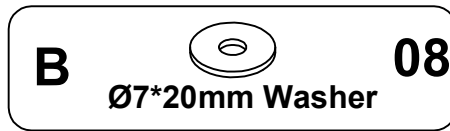
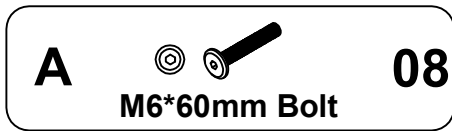


www.TeamCustomerService.com



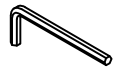
Part list - Dining Table

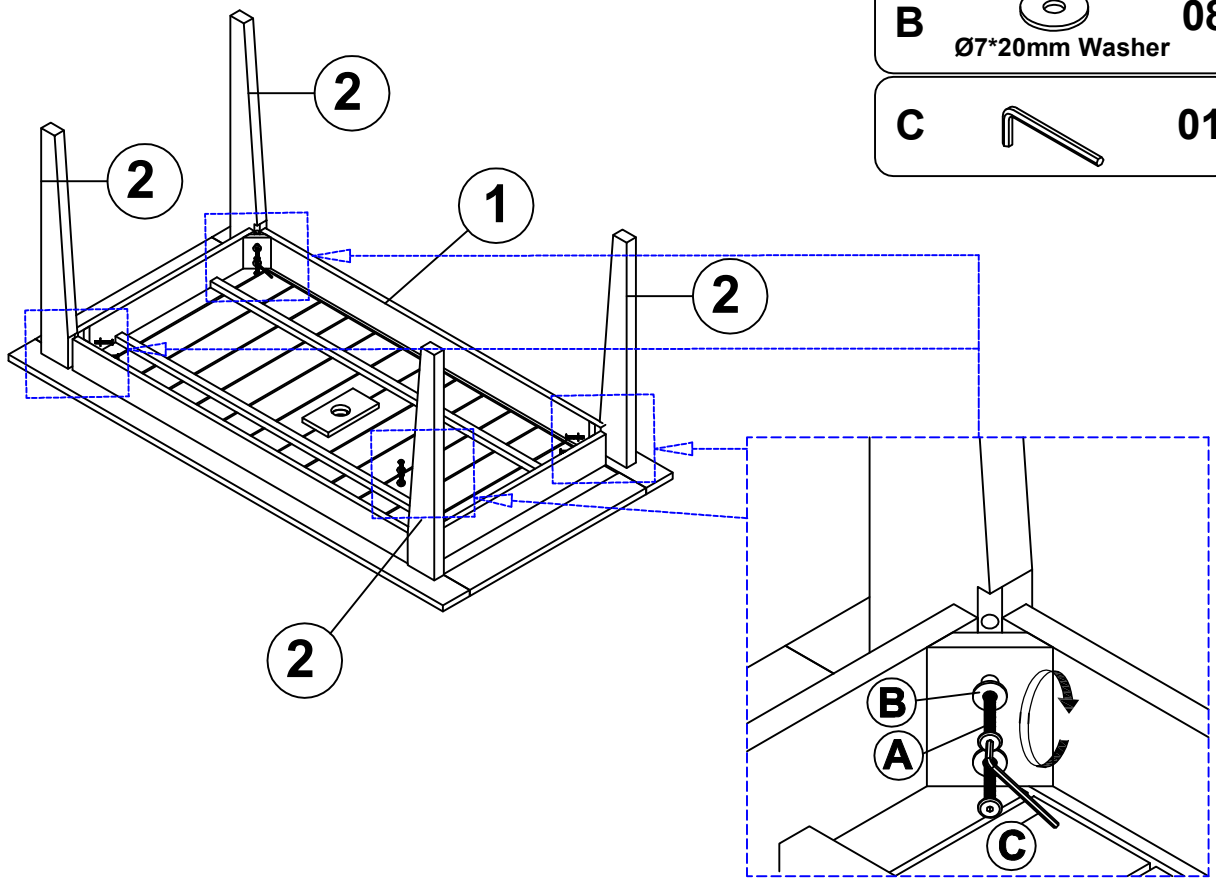


Identifying the hardware-Identify the hardware using the illustrations below



Step 01

- A**  **08**
M6*60mm Bolt
- B**  **08**
Ø7*20mm Washer
- C**  **01**



Step 02

